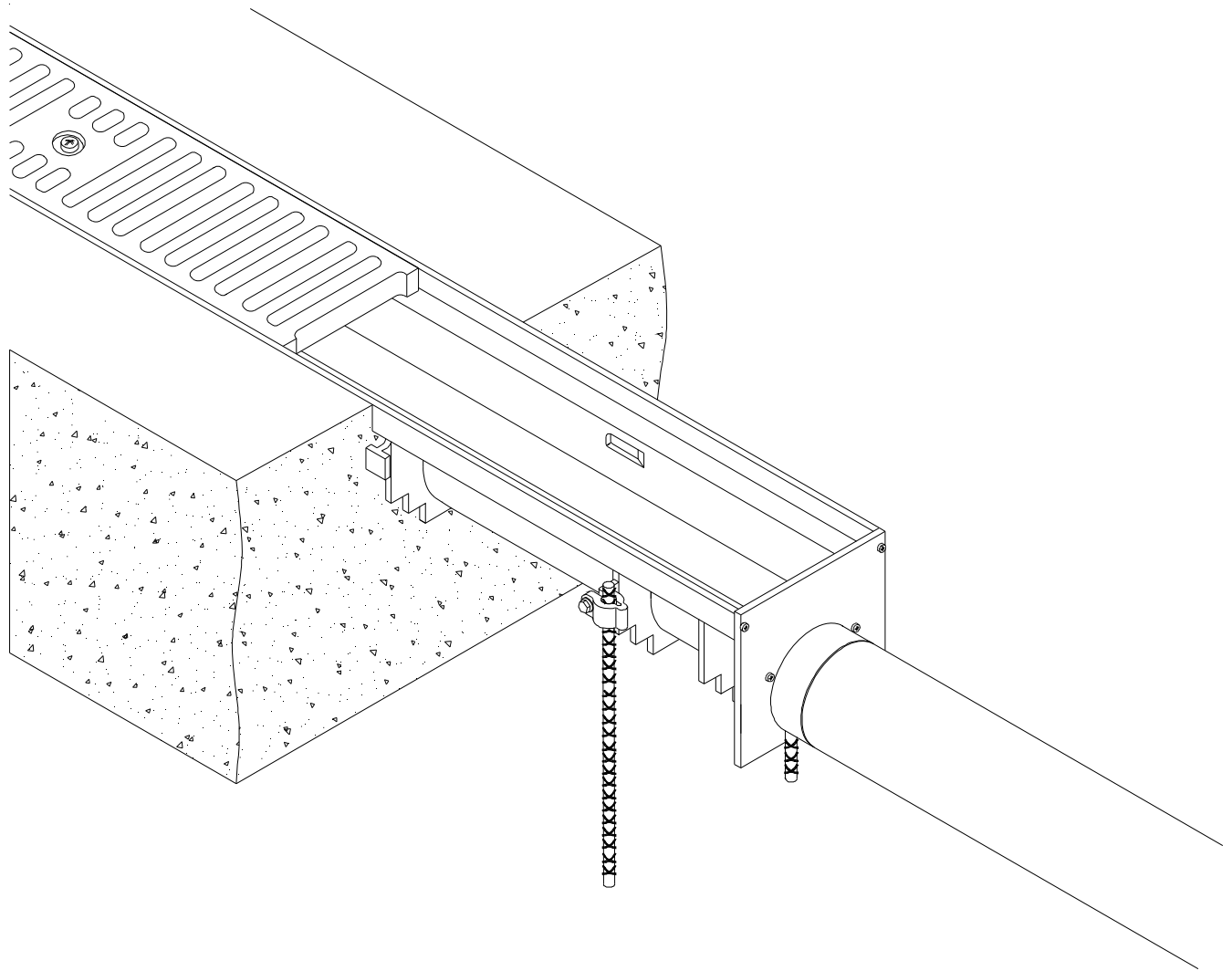




# Z883 SHALLOW TRENCH DRAIN SYSTEM™ ***INSTALLATION INSTRUCTIONS***



ZURN INDUSTRIES, LLC ♦ SPECIFICATION DRAINAGE OPERATION ♦ 1801 Pittsburgh Ave. ♦ Erie, PA 16514  
Phone: 814455-0921 ♦ Fax: 814454-7929 ♦ World Wide Web: [www.zurn.com](http://www.zurn.com)  
In Canada: ZURN INDUSTRIES LIMITED ♦ 3544 Nashua Drive ♦ Mississauga, Ontario L4V1L2 ♦ Phone: 905405-8272 Fax: 905405-1292

1

# Z883

## ACCESSORIES

GL  
GRATE LOCK DOWN  
HARDWARE

Z883  
TRENCH DRAIN

CG  
CAST IRON GRATE

E1  
CLOSED END CAP

RC

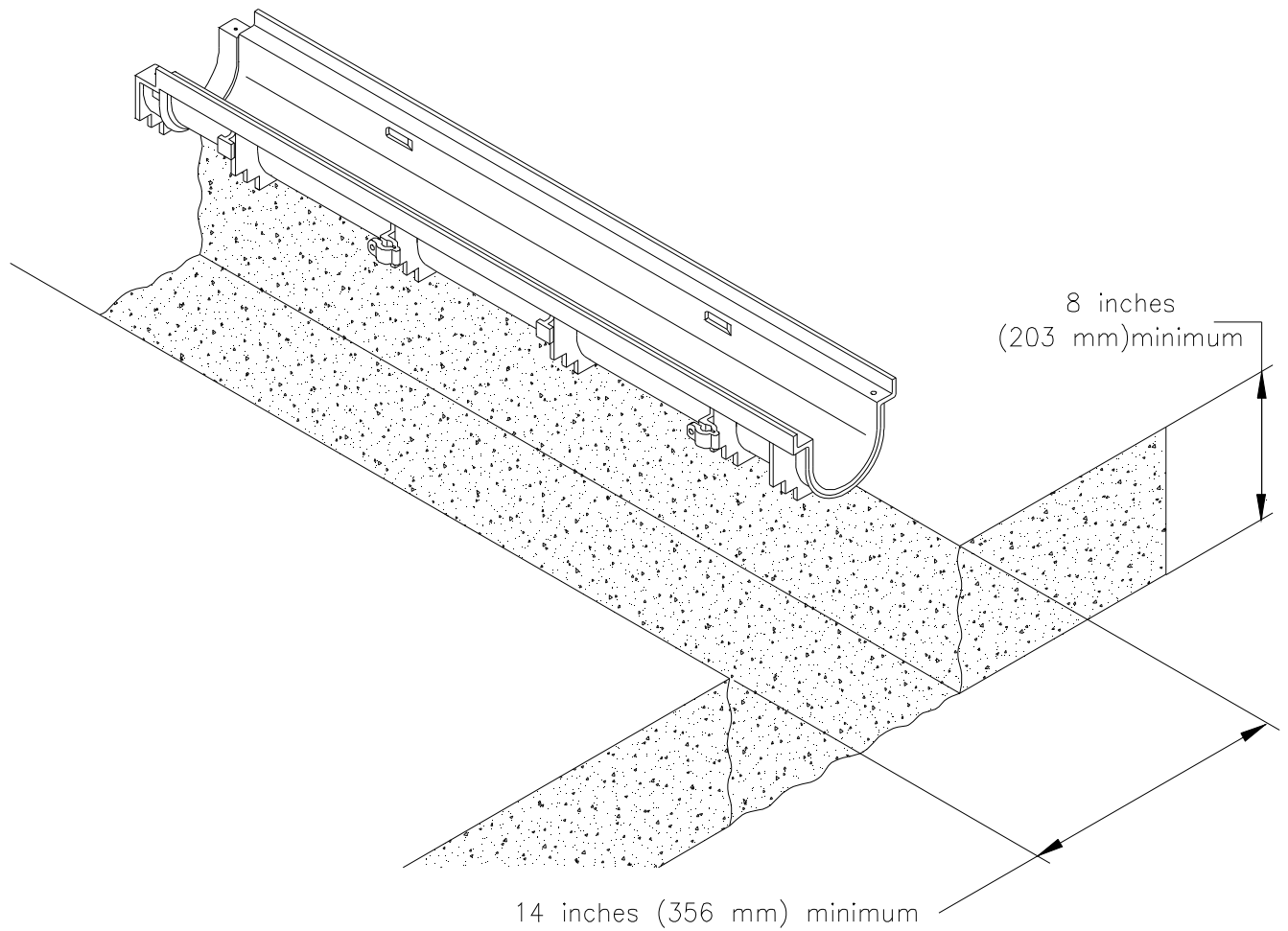
U4  
BOTTOM OUTLET

E2  
END OUTLET

Above are some of the trench drain components typical to an installation. Double check your order to ensure that you have all components particular to your job before beginning your installation.

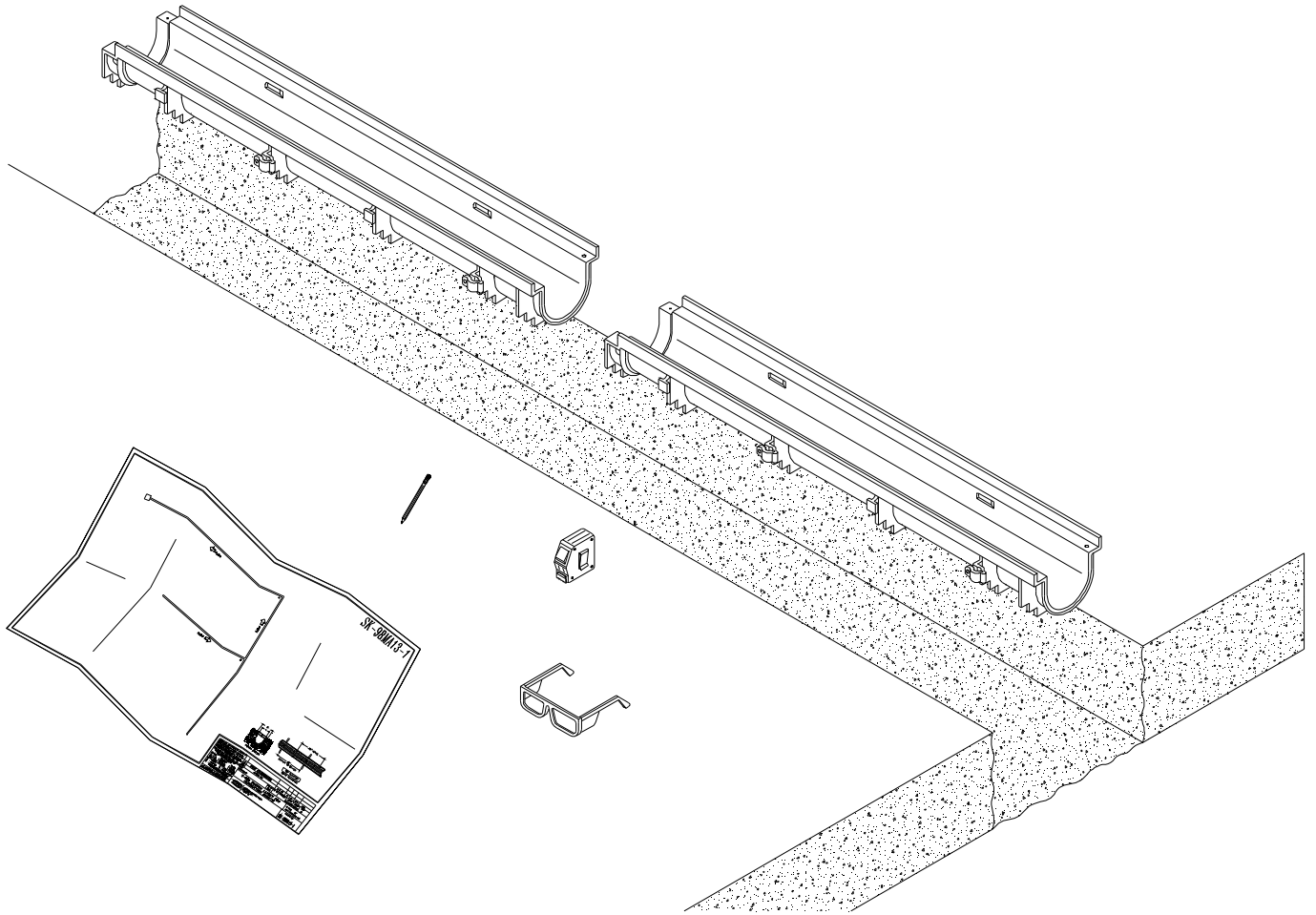
Contact Zurn 'Flo-Thru' at 716-665-1132 should additional material be required.

# EXCAVATION



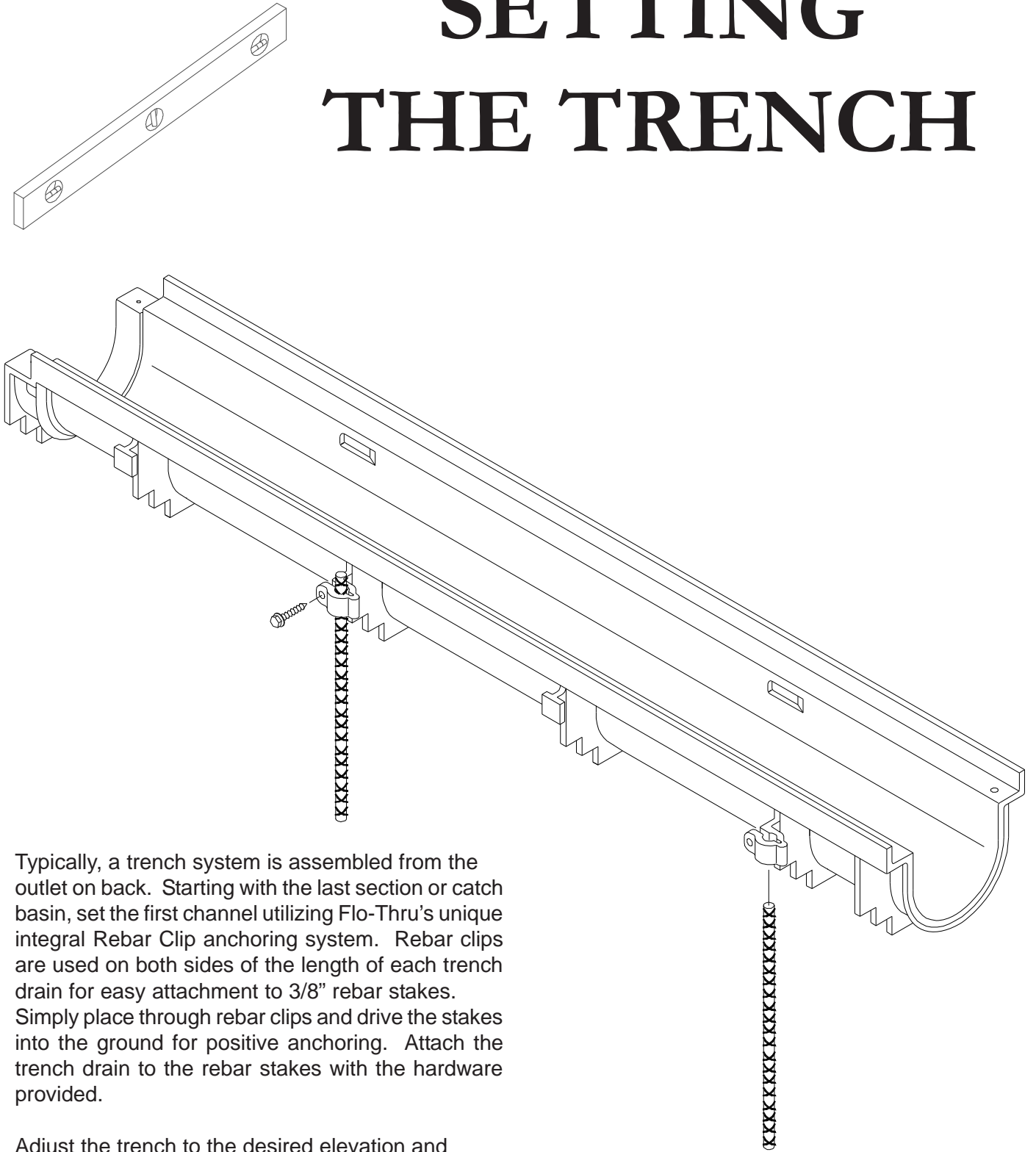
Trench excavation must be 4 inches greater than the trench depth and a minimum width of 14 inches. Soft and/or shifting soil substrates may cause cracking of the concrete and consequent movement of the trench. It is critical that the concrete be poured on an adequate foundation.

# OVERALL LAYOUT



Upon completion of the trench excavation, the channels should be placed in order alongside the excavation and according to the job layout. Grates are not installed at this time.

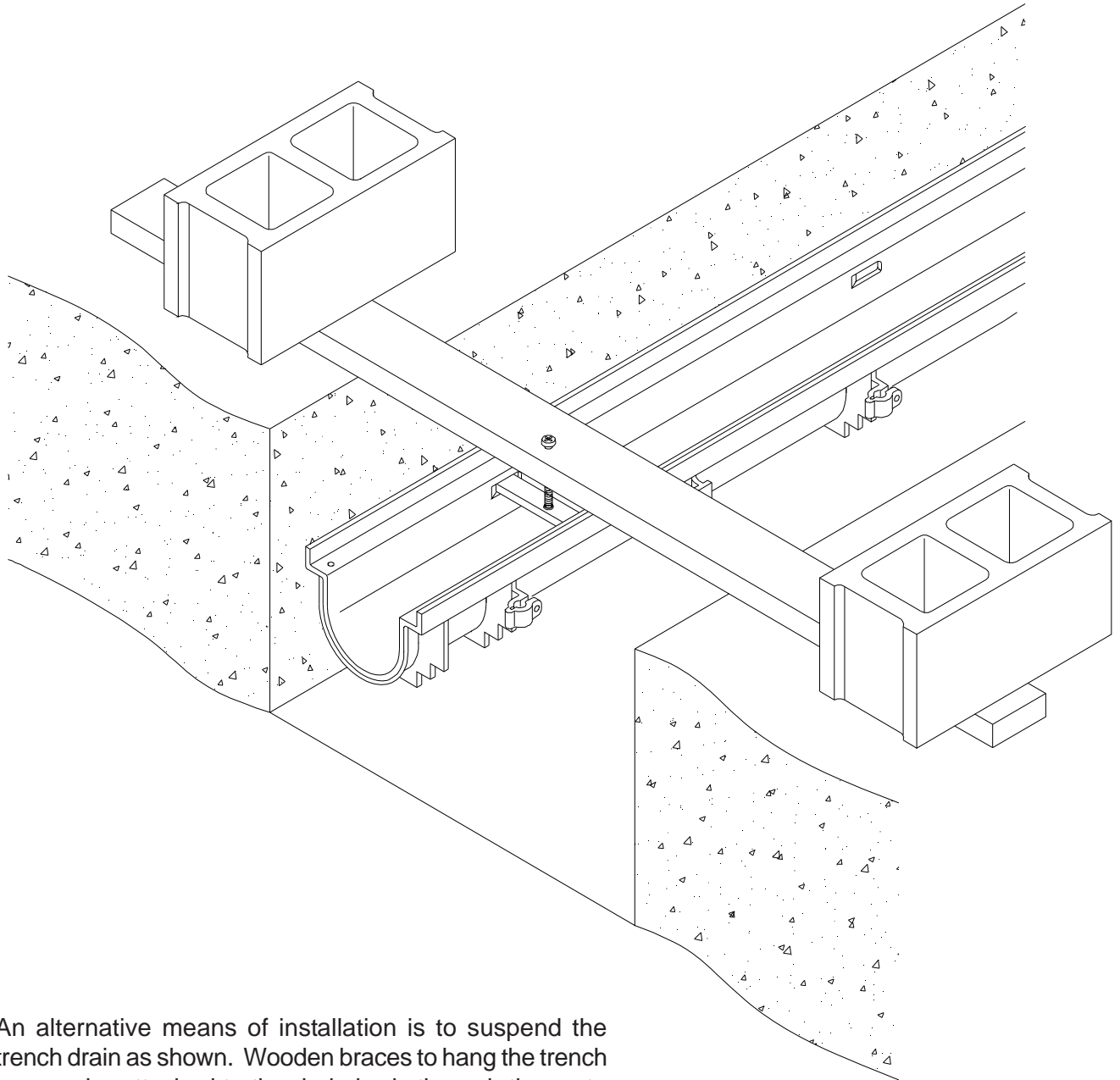
# SETTING THE TRENCH



Typically, a trench system is assembled from the outlet on back. Starting with the last section or catch basin, set the first channel utilizing Flo-Thru's unique integral Rebar Clip anchoring system. Rebar clips are used on both sides of the length of each trench drain for easy attachment to 3/8" rebar stakes. Simply place through rebar clips and drive the stakes into the ground for positive anchoring. Attach the trench drain to the rebar stakes with the hardware provided.

Adjust the trench to the desired elevation and continue with the adjacent section.

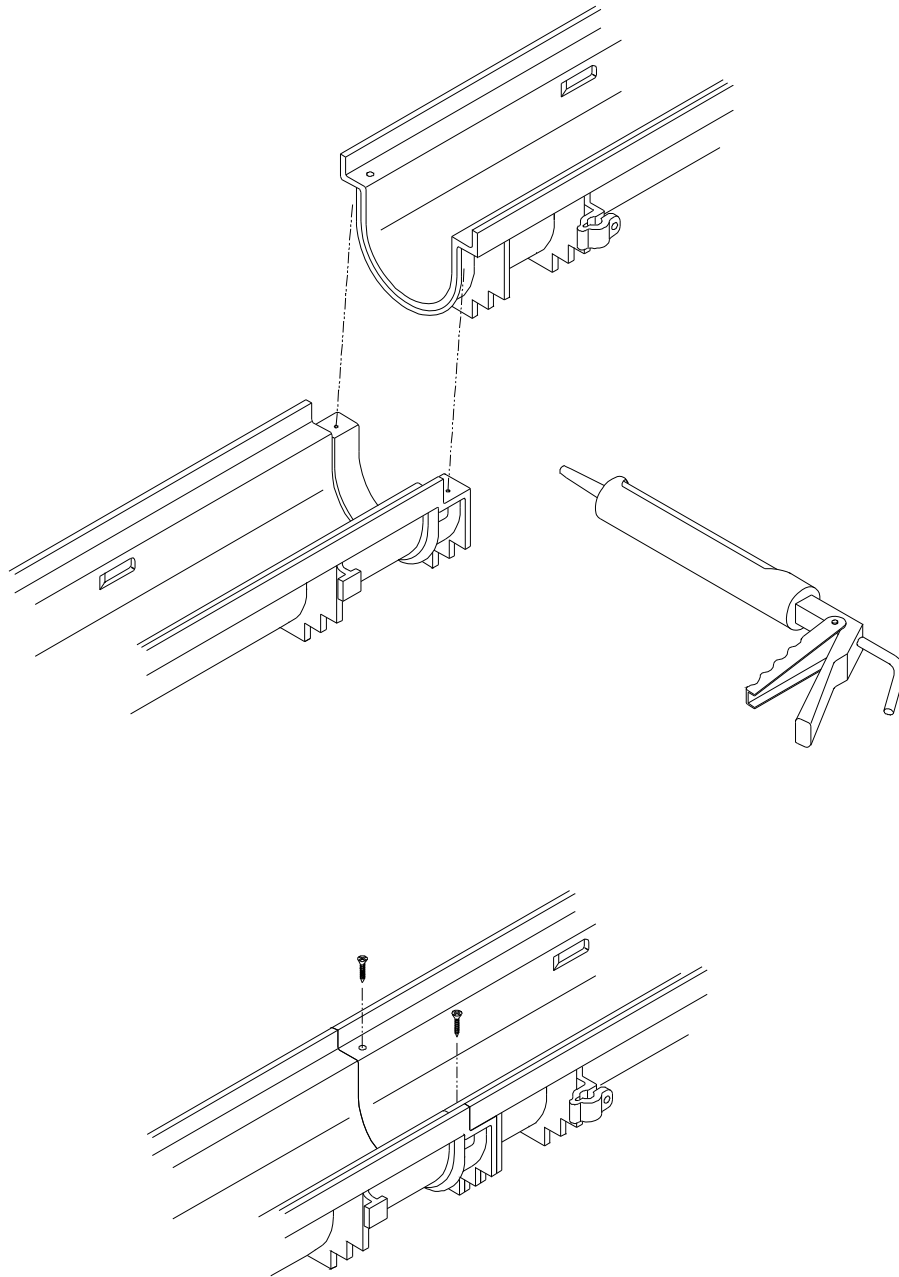
# SUSPENDED INSTALLATION



An alternative means of installation is to suspend the trench drain as shown. Wooden braces to hang the trench run can be attached to the drain body through the grate lock down bars as illustrated above.

**Note: unless Grate Lockdown option is specified, the suspended installation method can not be utilized.**

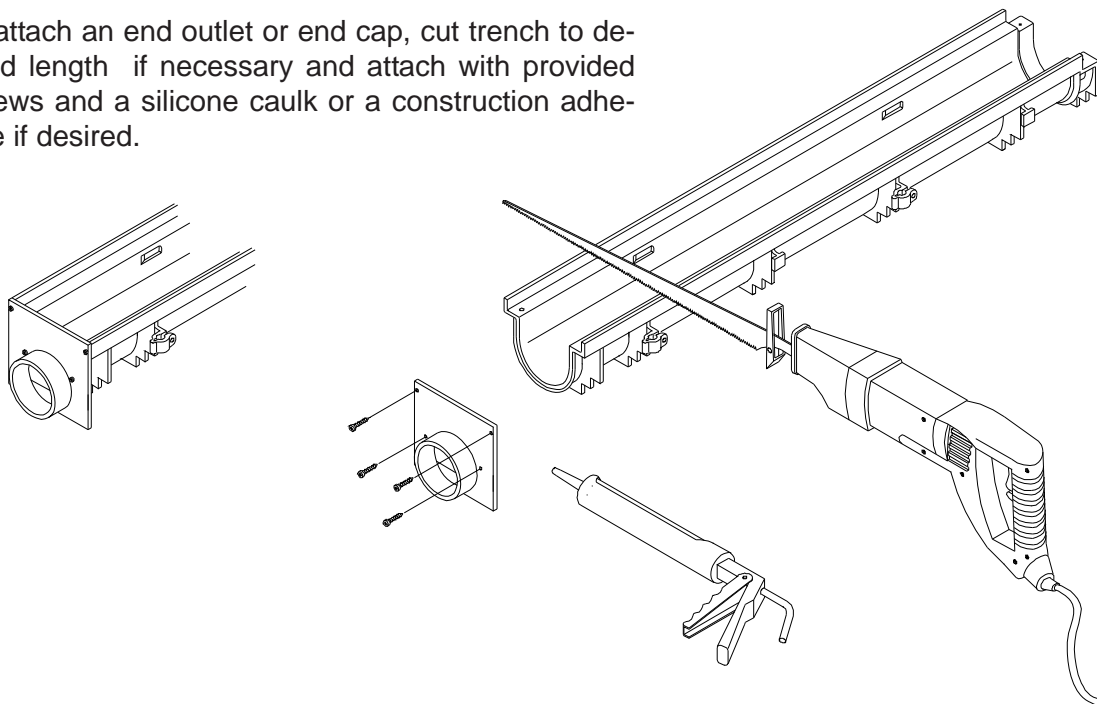
# JOINT CONNECTION



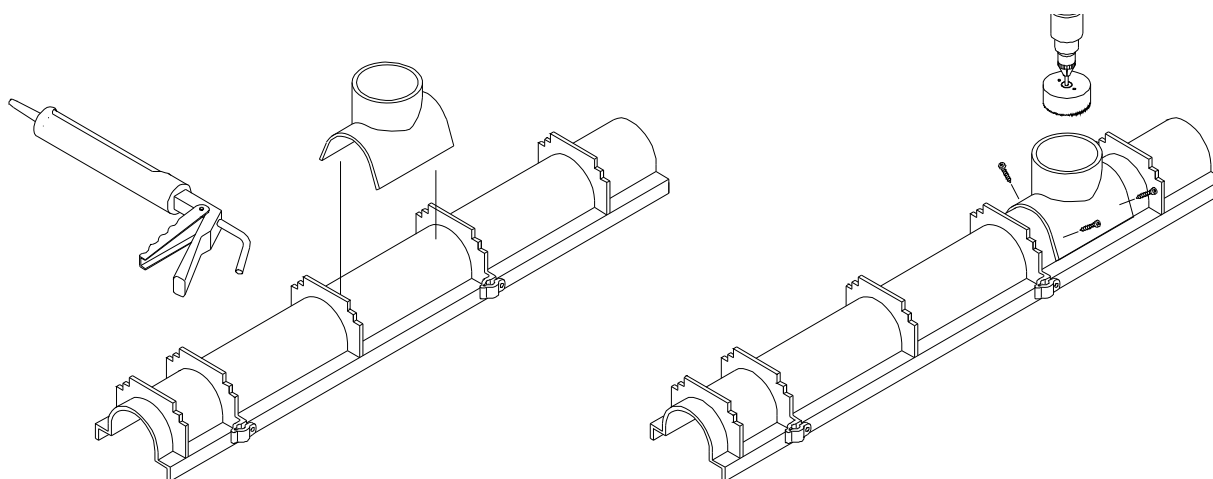
Assembling the trench run is easy using 'Flo-thru's' mechanical interlocking joints. Simply align the two mating ends of the trench sections and fasten with the hardware fasteners provided. A silicone caulk, or a construction adhesive, such as Liquid Nails, is recommended to be used at each joint as a sealer.

# OUTLETS & ACCESSORIES

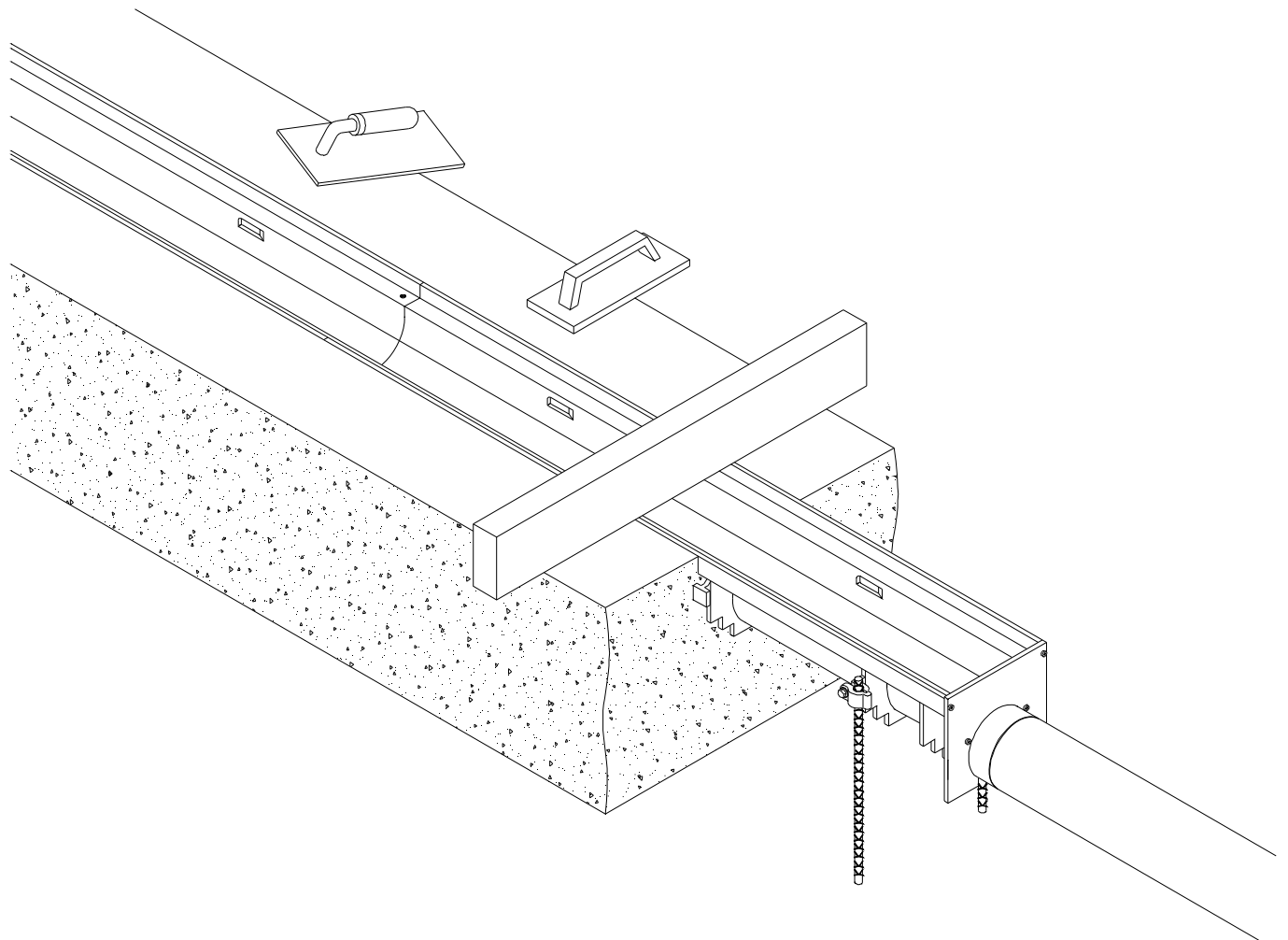
To attach an end outlet or end cap, cut trench to desired length if necessary and attach with provided screws and a silicone caulk or a construction adhesive if desired.



A bottom outlet is attached to the bottom side of the trench drain with provided screws and a silicone caulk or a construction adhesive if desired as shown below. A hole saw can be used to cut the appropriate size hole through the bottom of the trench.



# POURING THE CONCRETE



Pour the concrete around the three sides of the trench drain. Be certain to adequately VIBRATE the concrete as it is being placed. Proper vibration will eliminate any unwanted voids within the concrete pour.

Finish troweling should be done to set the top edge of the trench drain about 1/16" below the floor grade. Remember to compensate for concrete shrink that may occur during cure so that the edge of the trench drain does not protrude above the finished floor grade.

# AFTER

After the concrete has been poured, vibrated, and given sufficient time to dry, both the grates and grate lock down bolts must be installed. The center of the grate should straddle the toggle-in lockdown bar. The exception is when the channel is cut. To place these grates, line up the lock down hole in the grate with the lock down hole in the bar. Grates with a length of under 12" will not be able to be locked down. Lock down bolts can be installed using a 7/16" socket.

