

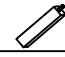


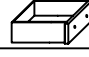




Thank you for purchasing this quality product. Be sure to unpack carefully looking for small parts which may have come loose during shipment.

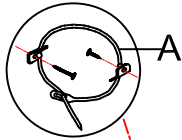
Read all instruction and study the drawing carefully before starting the assembly process.

HARDWARE PACK				
NO.	DRAWING	DESCRIPTION	SIZE	Q'TY
A		Anti - Tip Kit		1 PC

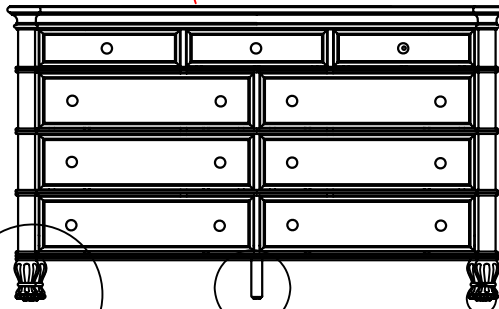
PARTS LIST			
NO.	DRAWING	DESCRIPTION	Q'TY
①		Bun Feet	4 PCS
②		Center Support Leg	1 PC
③		Knob	15 PCS
④		Screw	15 PCS
⑤		Bottom Drawer	6 PCS
⑥		Case Body	1 PC
⑦		Top Drawer	3 PCS

Tipping Restraint

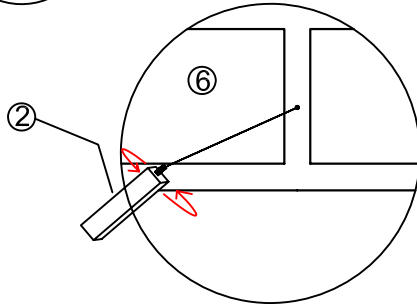
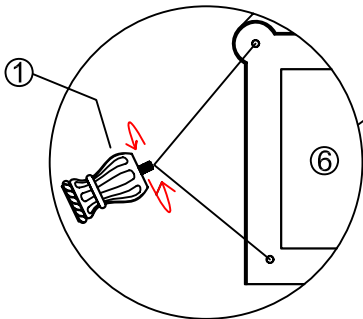
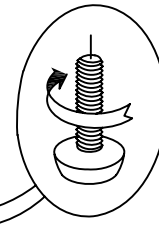
Anti-tip kit is included for use. We recommend installing for safety reason.



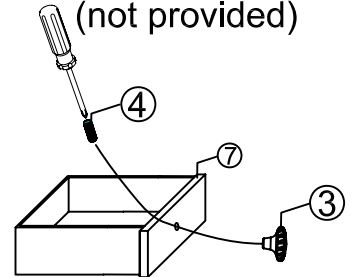
Install the bun feet (1) & center support leg (2) in clockwise direction into the bottom of the case (6). Remove them by the reverse way.



Adjust leveler if needed to level dresser on uneven floor.



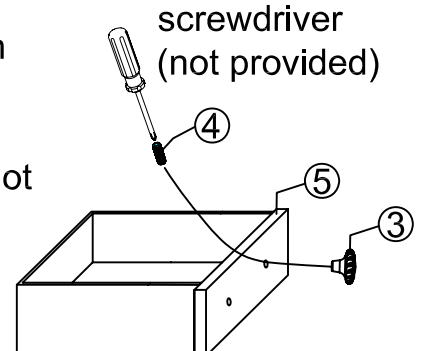
screwdriver
(not provided)



ASSEMBLY INSTRUCTION FOR KNOB

1. Open drawer(5&7).
2. With one hand holding the knob(3), unscrew with a screwdriver (not provided).
3. Remove screw(4) in hole and reinsert it through the hole from the opposite side.
4. Thread knob(3) onto screw(4).
5. Tighten screw(4) with screwdriver (not provided), please do not over tighten.
6. Repeat above steps with the other knobs(3).

screwdriver
(not provided)



Note: Anti-tip kit restraint is provided. Please follow the instructions enclosed with the pack.