

# Pole 4"

## Pole for Area Light - Aquila

### Product Description

Poles for the Aquila line of fixtures with adjustable arm and straight arm.

#### Construction

- Straight steel with square 4" and round 4" diameter
- General purpose pole for up to 25 foot mounting heights
- In lengths of 15' and 25'
- Pole shaft is from weldable grade cold rolled, commercial quality carbon steel tubing conforming to ASTM-A500 grade B 11 guage
- All welds conform to AWS D1.2 using ER70s-6 electrodes

#### Handhole

- Reinforced 3"x5" hand-hole with cover 1.5' off base
- Stainless steel screws and back-bar
- Grounding Provision incorporating a tapped 1/2"-13NC hole welded to frame

#### Anchorage

- (4) L-shaped steel anchor bolts, conformed to AASHTO M314-90 Grade 55 with 10" of threaded end galvanized per ASTM A153
- Galvanized steel hardware pack including:
  - (8) Hex nuts
  - (4) Lock washers
  - (8) Flat washers

#### Finish

- Fine powder coat finish
- Available in Bronze or White

#### Mounting and installation

- Use bolt template and anchor bolts for an easier installation
- Mounting types
  - Tenon mount available in 2.375"x3" tenon length
  - Side drill mount (see mounting drawings)
- Mounting heights of 15' and 25'

#### Warranty

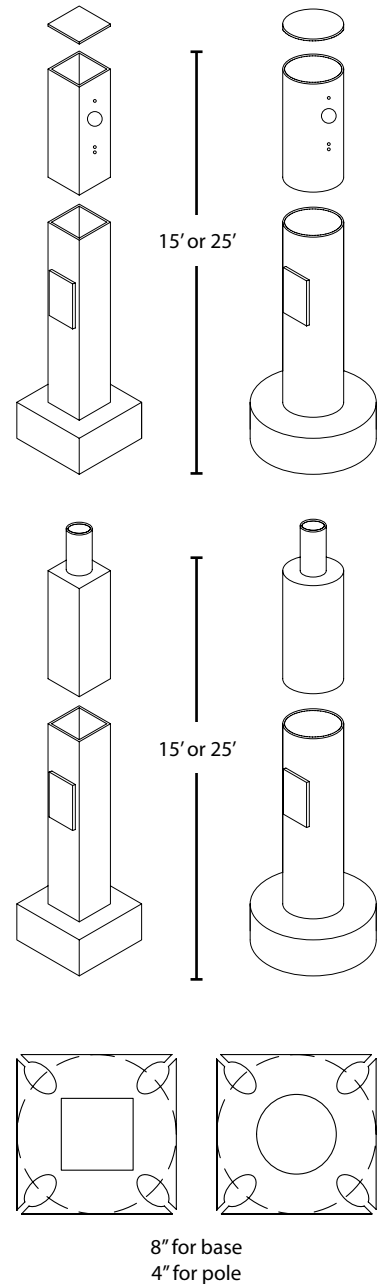
- 5-year limited system warranty standard

Project

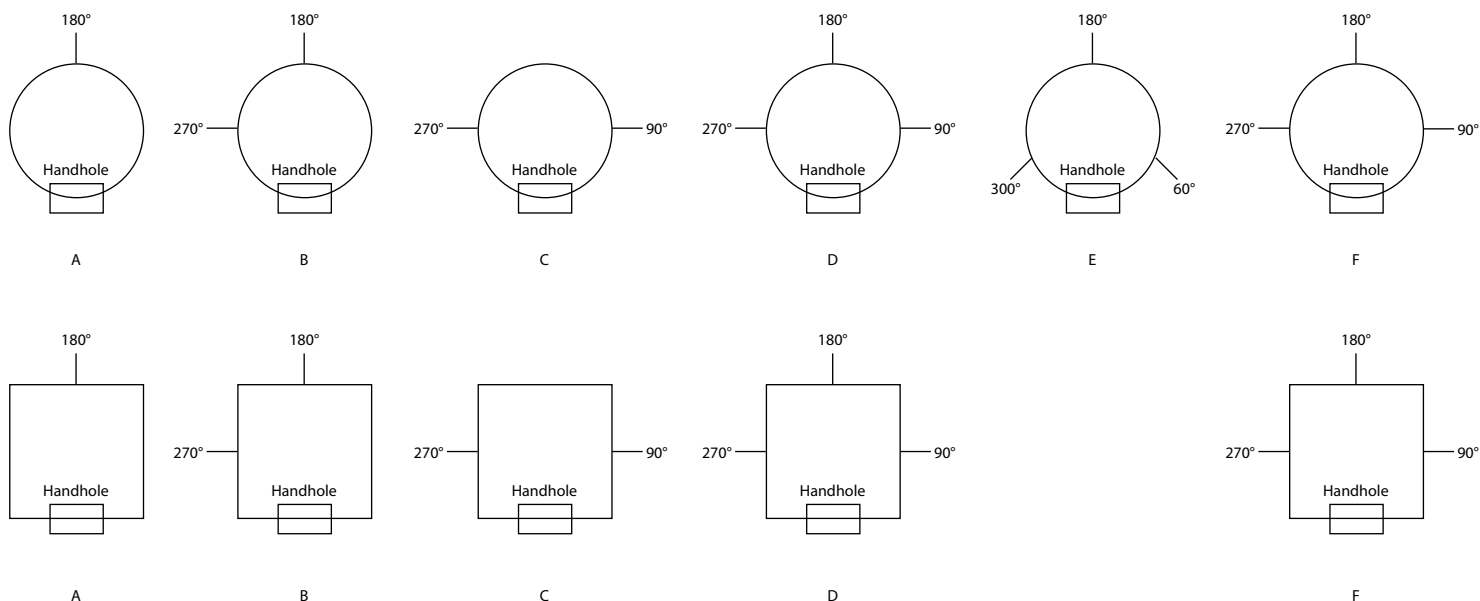
Catalog

Type

Date



# Pole Mounting Holes



EPA Wind Loading						
	90	100	110	120	130	140
SQ 4" 15'	15.4	11.6	10.6	8.4	6.6	5.1
SQ 4" 25'	5.4	3.4	2.8	1.4	-	-
RD 4" 15'	11.0	8.4	7.6	6.0	4.6	3.8
RD 4" 25'	3.8	2.3	1.9	0.8	-	-

Effective Projected Area (EPA) in square feet. EPA's calculated using wind velocity (mph) indicated in accordance with 2009 AASHTO LTS-5 using a 25 year design life. Maximum EPA is based on the luminaire weight shown. Increased luminaire weight may reduce the maximum EPA. If weight is exceeded, or if other design life or code is required, please consult the factory.

Ordering Information					Example: OPL41SQ25CBZ
Series	Version	Shape	Height	Mounting Holes	Color
<b>OPL4</b>	<b>1</b>	<b>SQ</b> (Square)	<b>15</b> (15' height)	<b>Blank</b> (None)	<b>BZ</b> (Bronze)
		<b>RD</b> (Round)	<b>25</b> (25' height)	<b>A</b> (One Mounting Hole)	<b>WH</b> (White)
				<b>B</b> (Two 90° Mounting Holes)	
				<b>C</b> (Two 180° Mounting Holes)	
				<b>D</b> (Three 90° Mounting Holes)	
				<b>E</b> (Three 120° Mounting Holes - Round Only)	
				<b>F</b> (Four Mounting Holes)	
			<b>G</b> (2" Slipfitter)		

Specifications and dimensions subject to change without notice.

