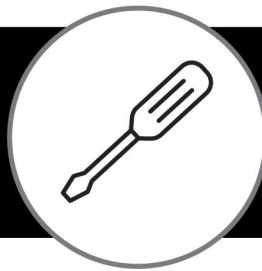


# Assembly Guide

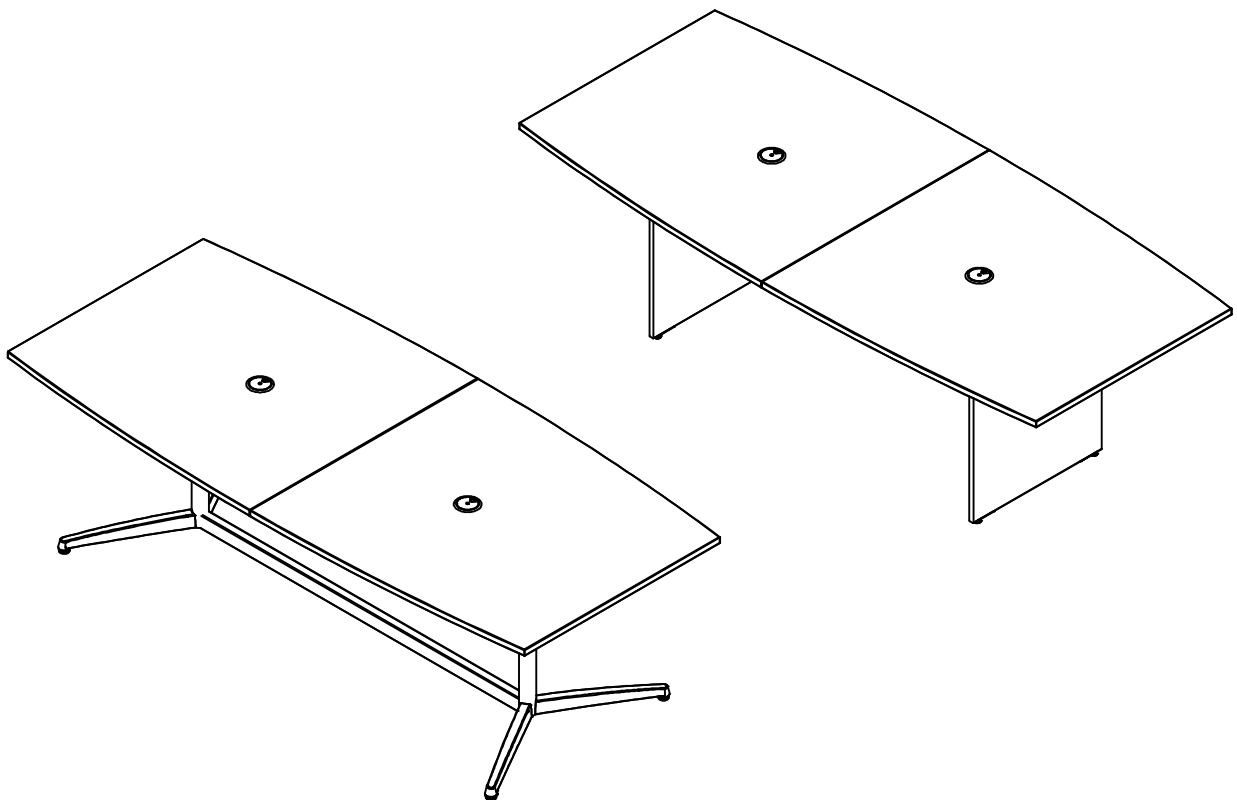


If you're having any difficulty during assembly of this product, don't hesitate to call us at **1-800-950-4782.**

Our customer service experts are trained to provide step-by-step instruction and can easily replace any missing or damaged parts.

**Representatives are available Monday-Friday from 8:30 a.m. to 7:30 p.m. (ET)**

## 96" x 42" Conference Table



Lot Code #

Instruction Sheet Number A176668C

Keep manual for future reference.

## For best results, keep these tips in mind:

- ① We know you want to finish this assembly as quickly as possible, but trust us: you'll have a better experience if you take it one step at a time.
- ② Give yourself some room to work near where you want the fully assembled product.
- ③ If your floor isn't carpeted, assemble this product on the empty carton to avoid scratching.
- ④ Do you have a friend who owes you a favor? Some steps may go a little easier with a second set of hands.

### DOs

- ✔ Use a #2 Phillips head screwdriver (or other handheld tools as indicated)
- ✔ Wear safety glasses at all times during assembly
- ✔ Carefully follow the instructions in this guide and complete all steps in order
- ✔ Give us a call if you're having trouble with a particularly tricky step

### DON'Ts

- ✘ We know power tools are quick and easy, but you shouldn't use them when assembling this product (unless otherwise specified)
- ✘ Never move your furniture with items inside or resting on the surface
- ✘ Do not attempt to use this product before all steps have been completed



## Watch assembly videos right on your phone or computer!



Some steps include QR codes that link to helpful videos. Watch out for the icon below! Simply open up your smartphone camera to scan the code.

*(Users of older smartphones may need to install a QR Reader.)*

**SCAN HERE**



**FOR VIDEOS**

Or visit <https://www.bushbusinessfurniture.com/CustomerService/HowtoAssemble.aspx>

# IMPORTANT SAFETY INFORMATION



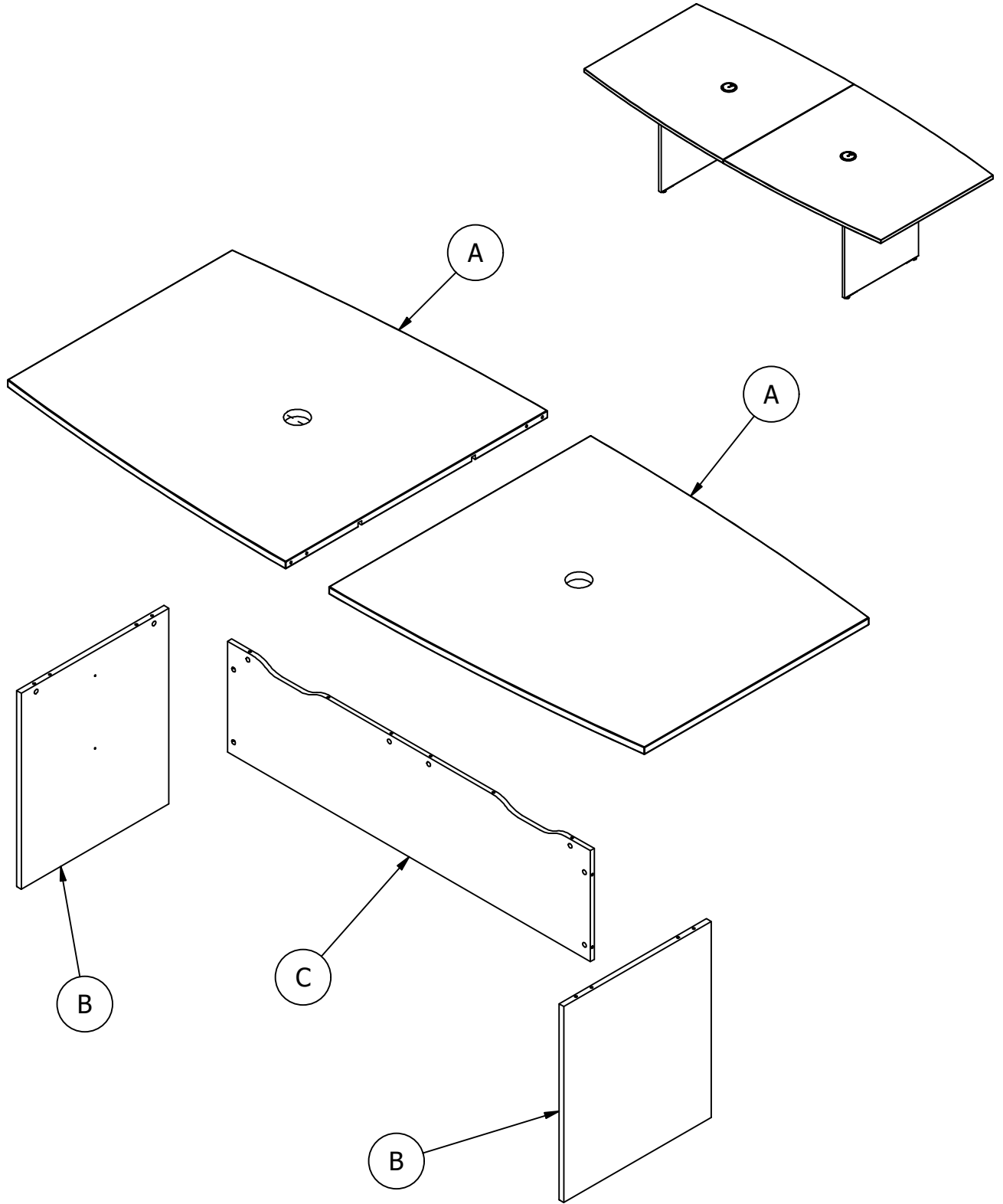
## PLEASE READ WARNINGS

Improper use can cause safety hazards, or damage to your furniture and household items.

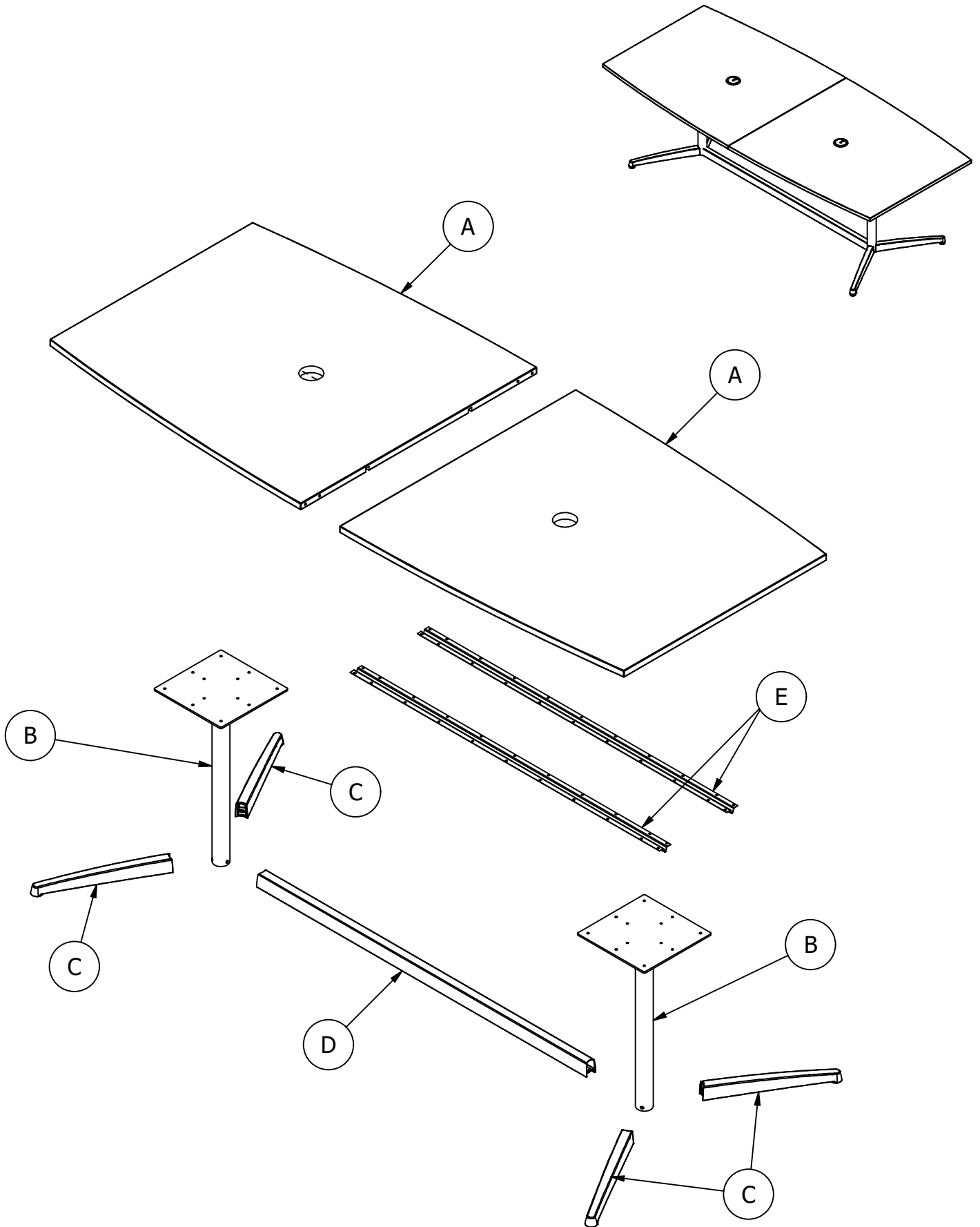
Warning	Do	Don't	Why it's important
<b>Serious injury may occur.</b>	<ul style="list-style-type: none"><li>Assemble following all instructions using all indicated parts and hardware provided.</li></ul>	<ul style="list-style-type: none"><li>Do not move unit when loaded.</li><li>Do not load with a television or other heavy equipment.</li><li>Do not exceed the maximum load limits stated in the instructions.</li></ul>	Improper assembly, use or loading can lead to product instability, tip-over or collapse.

Advertencia	Hacer	No	Por qué es importante
<b>Se pueden producir lesiones graves.</b>	<ul style="list-style-type: none"><li>Ensamble siguiendo todas las instrucciones utilizando todas las piezas y ferretería indicados provistos.</li></ul>	<ul style="list-style-type: none"><li>No mueva la unidad cuando esté cargada.</li><li>No cargue con un televisor u otro equipo pesado.</li><li>No exceda los límites máximos de carga establecidos en las instrucciones.</li></ul>	El ensamblaje, uso o carga inadecuados pueden provocar inestabilidad del producto, vuelco o colapso.

Avertissement	Faire	Ne le fais pas	Pourquoi c'est important
<b>Des blessures graves peuvent survenir.</b>	<ul style="list-style-type: none"><li>Assemblez en suivant toutes les instructions en utilisant toutes les pièces et le matériel indiqués fournis.</li></ul>	<ul style="list-style-type: none"><li>Ne déplacez pas l'unité lorsqu'elle est chargée.</li><li>Ne chargez pas avec un téléviseur ou un autre équipement lourd.</li><li>Ne dépassez pas les limites de charge maximale indiquées dans les instructions.</li></ul>	Un assemblage, une utilisation ou un chargement incorrects peuvent entraîner une instabilité du produit, un renversement ou un effondrement.



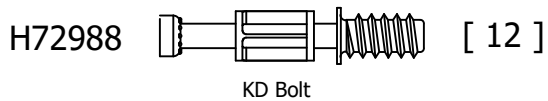
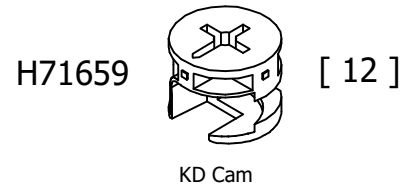
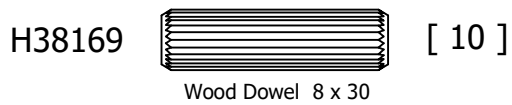
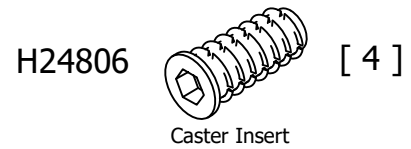
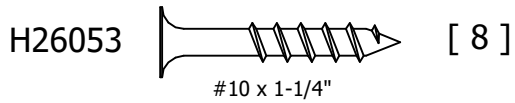
Have an assembly question or need a replacement part? Just call  
**1-800-950-4782**, we are here to help.



Have an assembly question or need a replacement part? Just call  
**1-800-950-4782**, we are here to help.

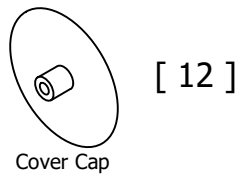
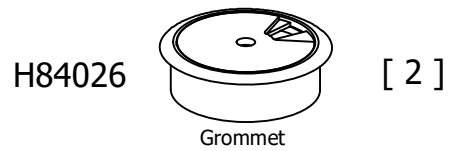
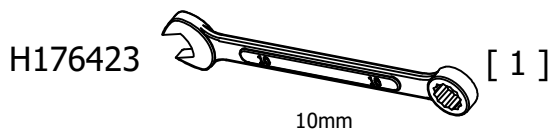
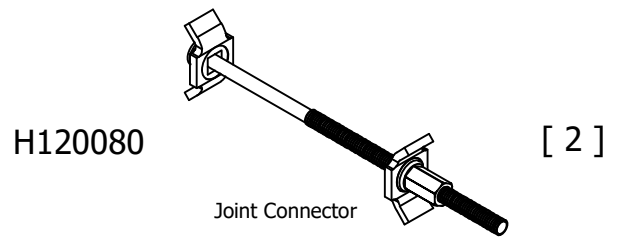
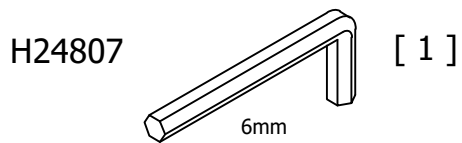
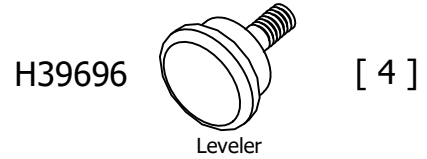
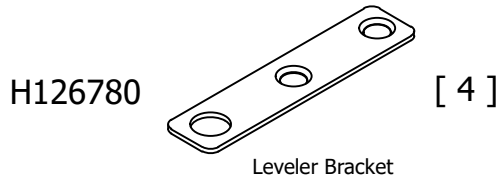
Fasteners are shown actual size.

## 99CBASE96 WOOD BASE ASSEMBLY



Hardware not to scale.

**99CBASE96  
WOOD BASE ASSEMBLY**

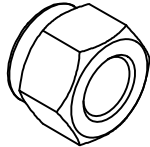


Have an assembly question or need a replacement part? Just call  
**1-800-950-4782**, we are here to help.

Fasteners are shown actual size.

## 991YLEGSV, 99STCH96ASV METAL BASE ASSEMBLY

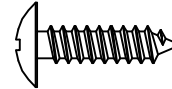
H172196



lock Nut 3/8-16

[ 6 ]

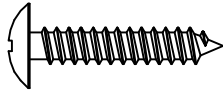
H142302



#10 x 3/4"

[ 40 ]

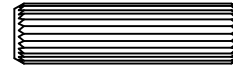
H23682



#10 x 1"

[ 20 ]

H38169



Wood Dowel 8 x 30

[ 4 ]

H172195



3/8-16 X 1-3/4"

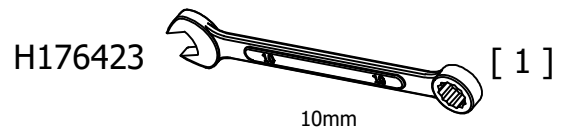
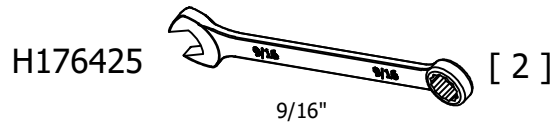
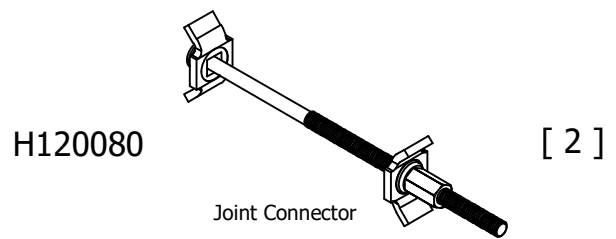
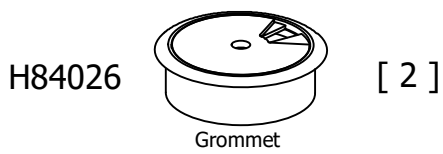
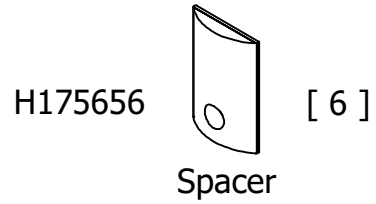
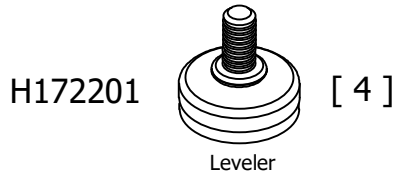
[ 6 ]

Have an assembly question or need a replacement part? Just call  
**1-800-950-4782**, we are here to help.

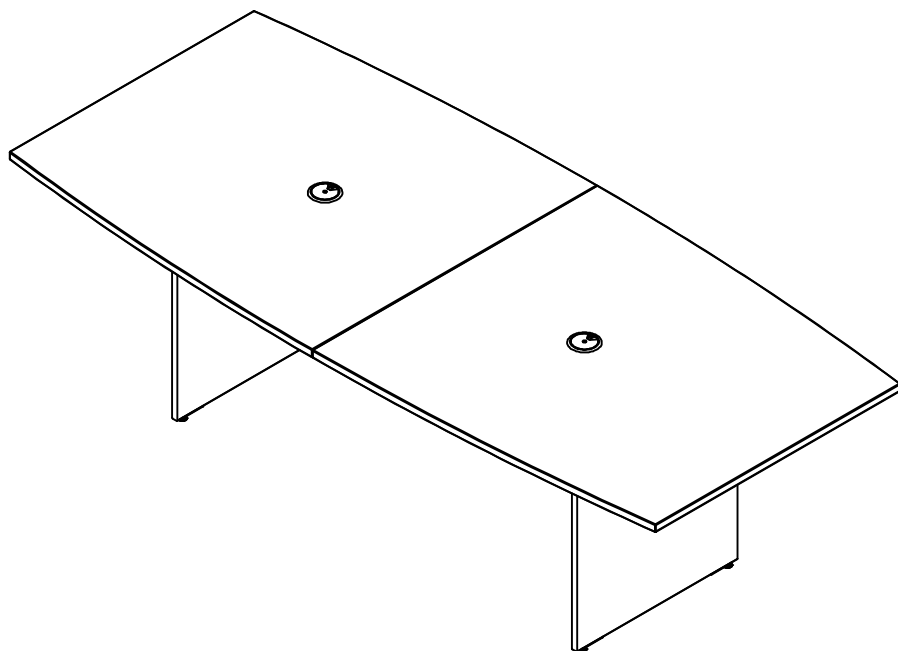


Hardware not to scale.

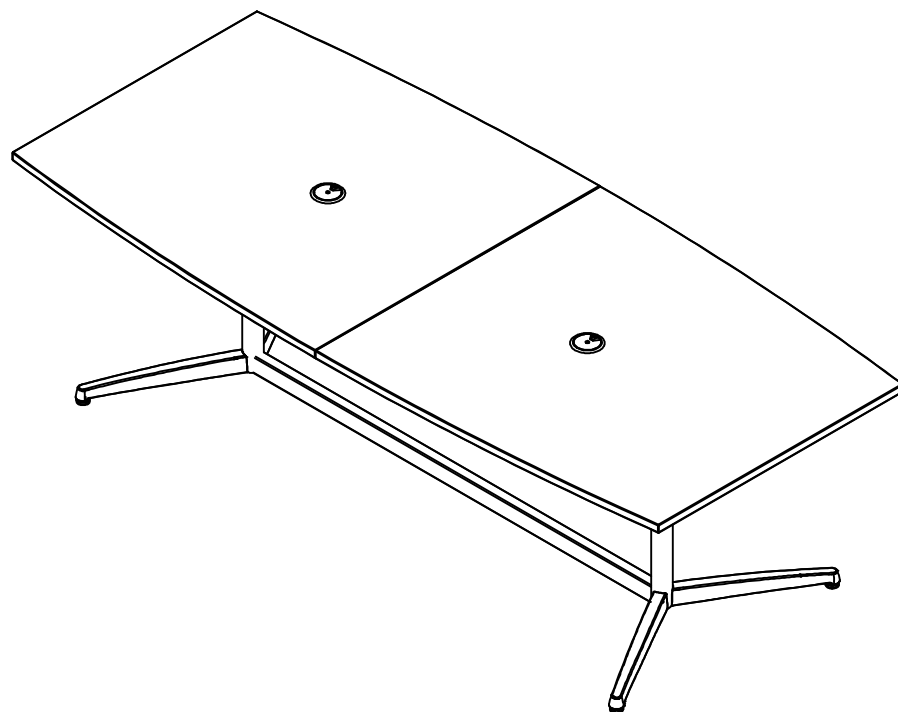
**991YLEGSV, 99STCH96ASV  
METAL BASE ASSEMBLY**



Have an assembly question or need a replacement part? Just call  
**1-800-950-4782**, we are here to help.



Go to Step 2.  
Proceda al paso 2.  
Allez à l'étape 2.



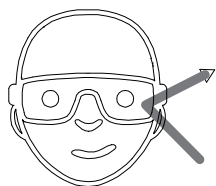
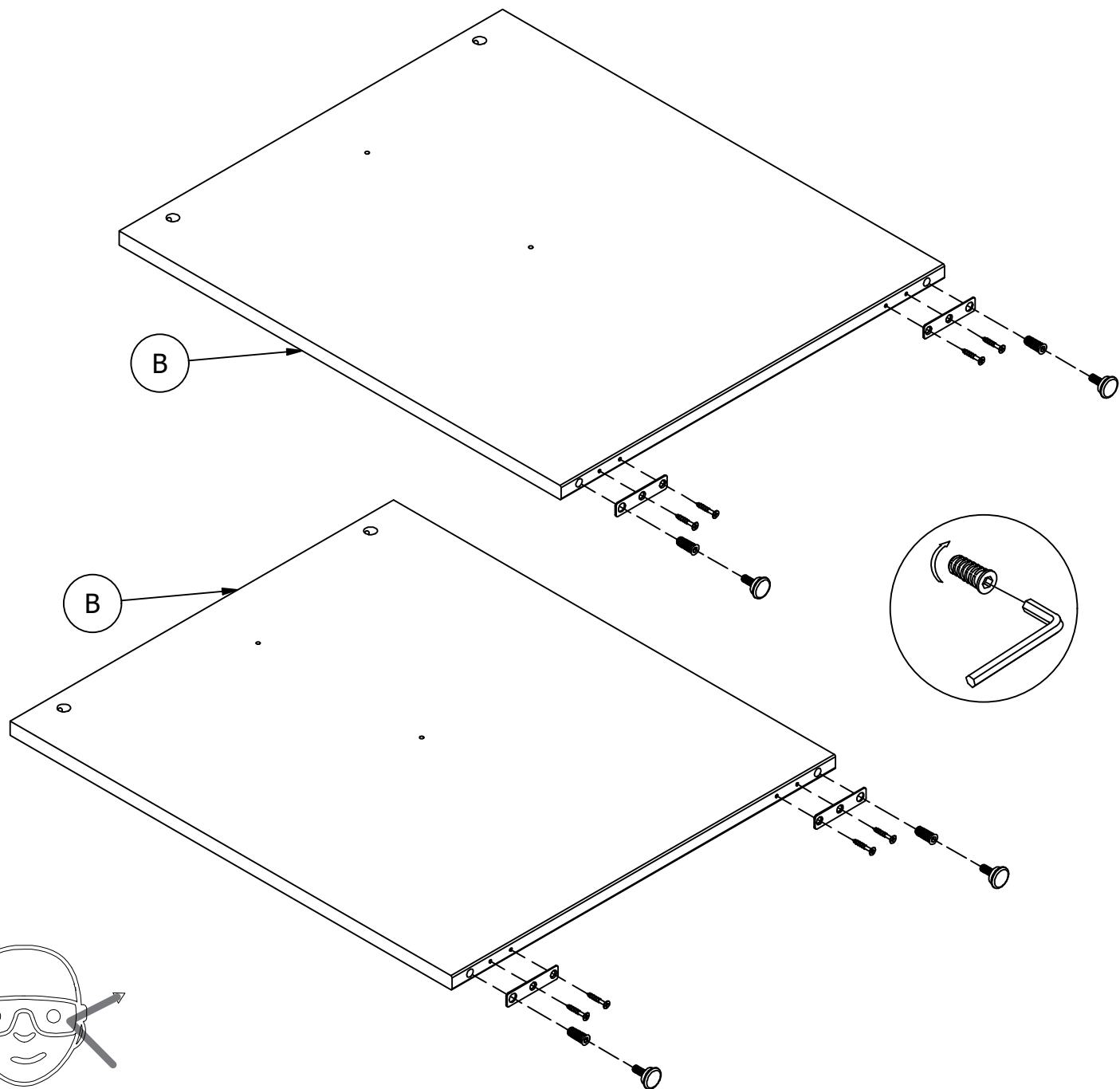
Go to Step 9.  
Proceda al paso 9.  
Allez à l'étape 9.

# STEP 2

# Prepare Panels

A176668C

- H126780 [ 4 ] Leveler Bracket
- H24806 [ 4 ] Caster Insert
- H24807 [ 1 ] 6mm
- H26053 [ 8 ] #10 x 1-1/4"
- H39696 [ 4 ] Leveler



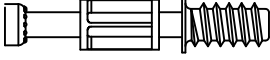
Safety glasses  
Gafas de seguridad  
Lunettes de protection


Have an assembly question or need a replacement part? Just call  
**1-800-950-4782**, we are here to help.

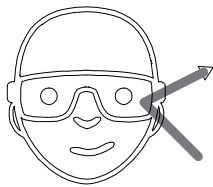
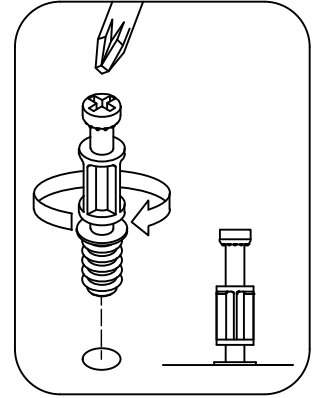
# STEP 3

# Prepare Panels

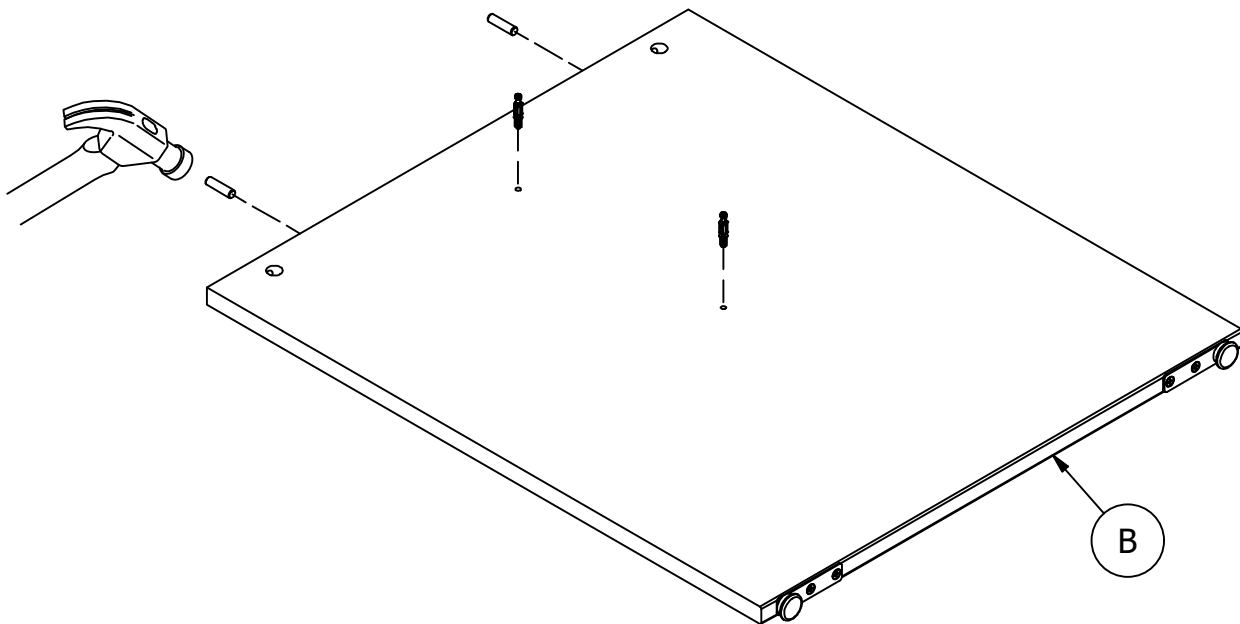
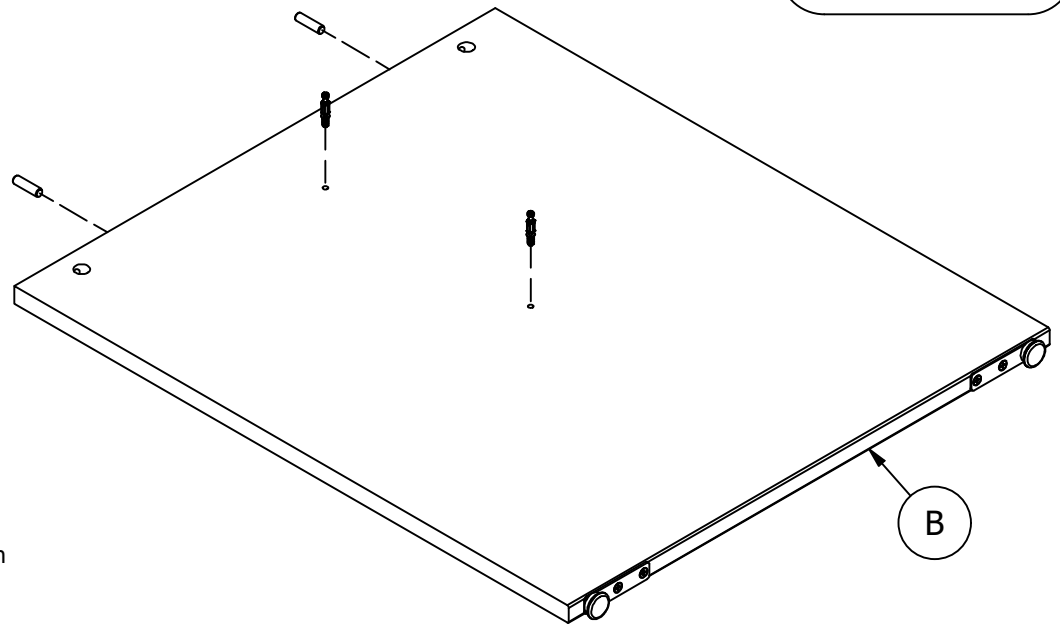
A176668C

H72988  [ 4 ]  
KD Bolt

H38169  [ 4 ]  
Wood Dowel 8 x 30



Safety glasses  
Gafas de seguridad  
Lunettes de protection



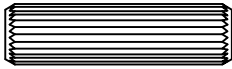
Have an assembly question or need a replacement part? Just call  
**1-800-950-4782**, we are here to help.

# STEP 4

# Prepare Panel

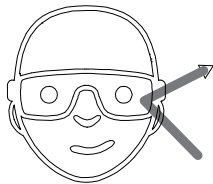
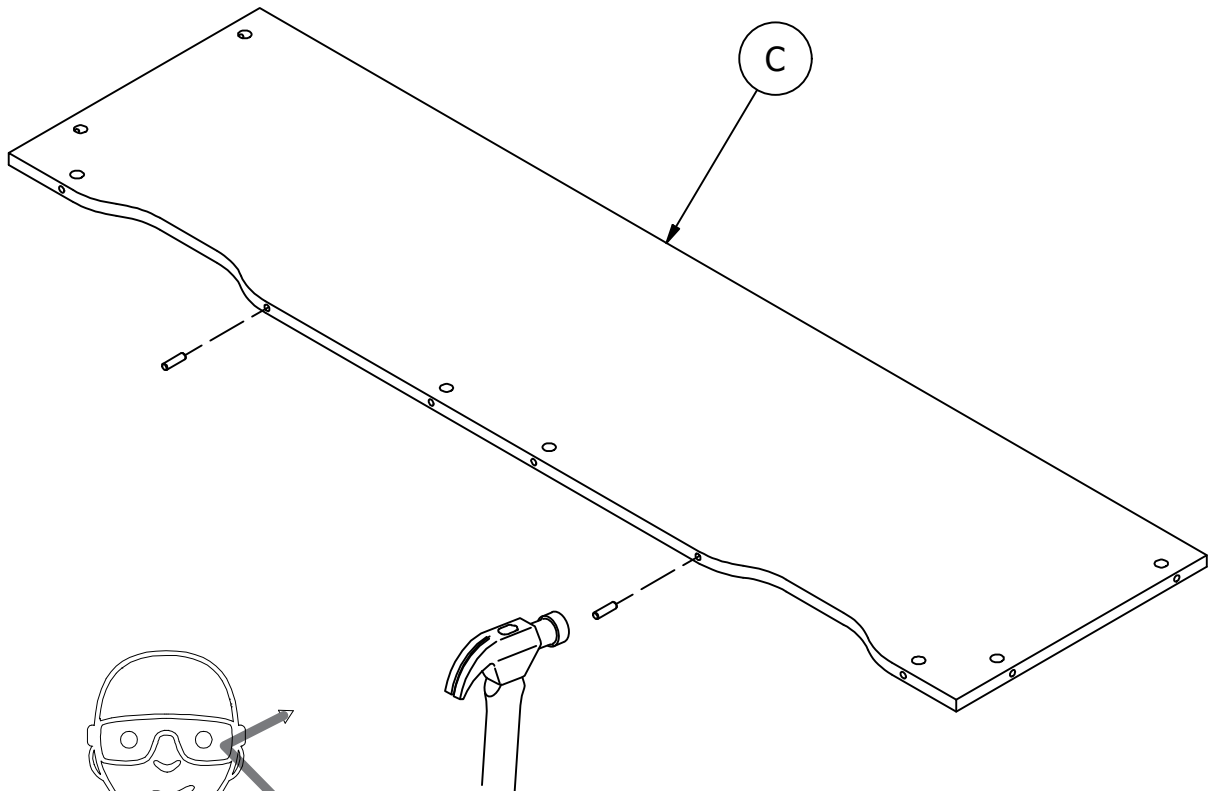
A176668C

H38169



Wood Dowel 8 x 30

[ 2 ]



Safety glasses  
Gafas de seguridad  
Lunettes de protection

Have an assembly question or need a replacement part? Just call  
**1-800-950-4782**, we are here to help.

# STEP 5

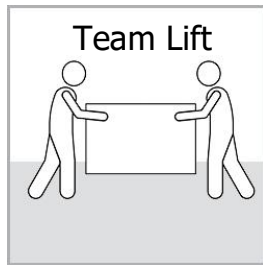
# Assemble Panels

A176668C

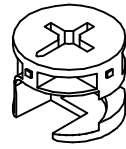
Scan QR Code to Watch Video on:



How to Tighten KD Cams

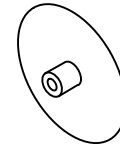


H71659



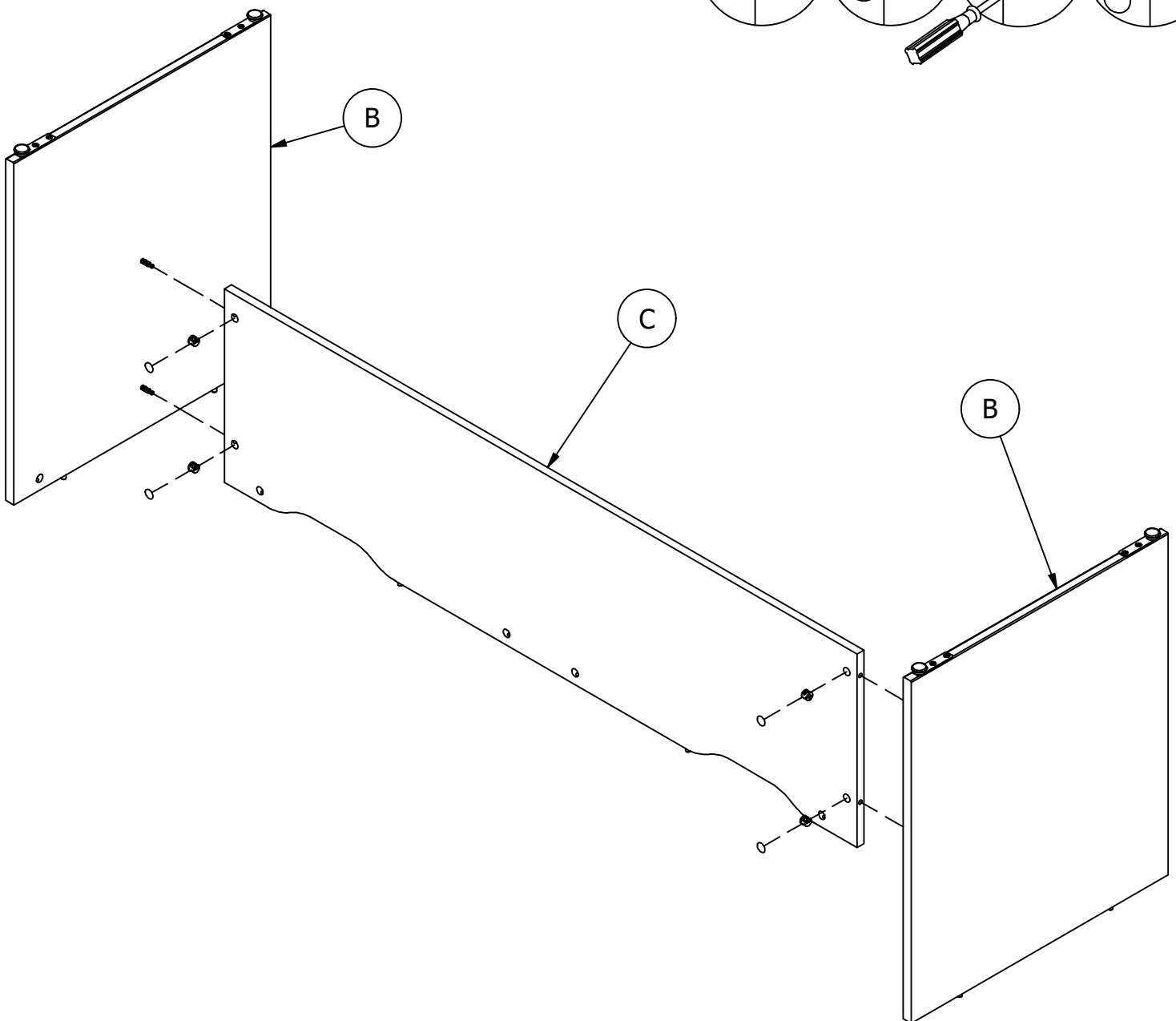
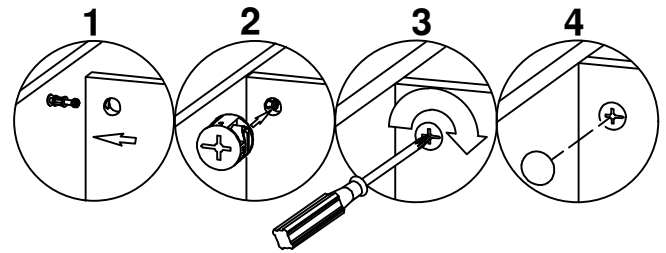
KD Cam

[ 4 ]



Cover Cap

[ 4 ]

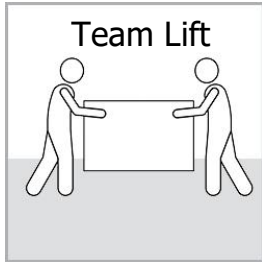



Have an assembly question or need a replacement part? Just call **1-800-950-4782**, we are here to help.

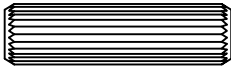
# STEP 6

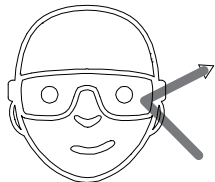
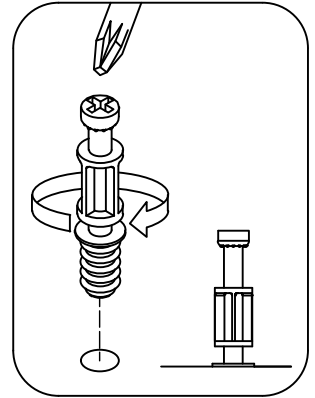
# Prepare Panels

A176668C

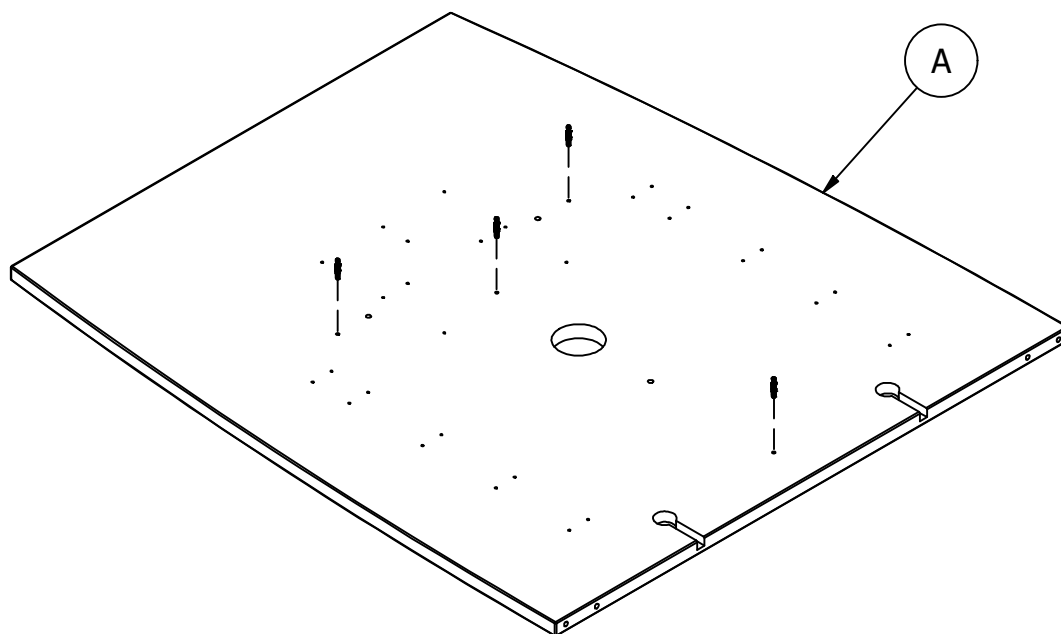
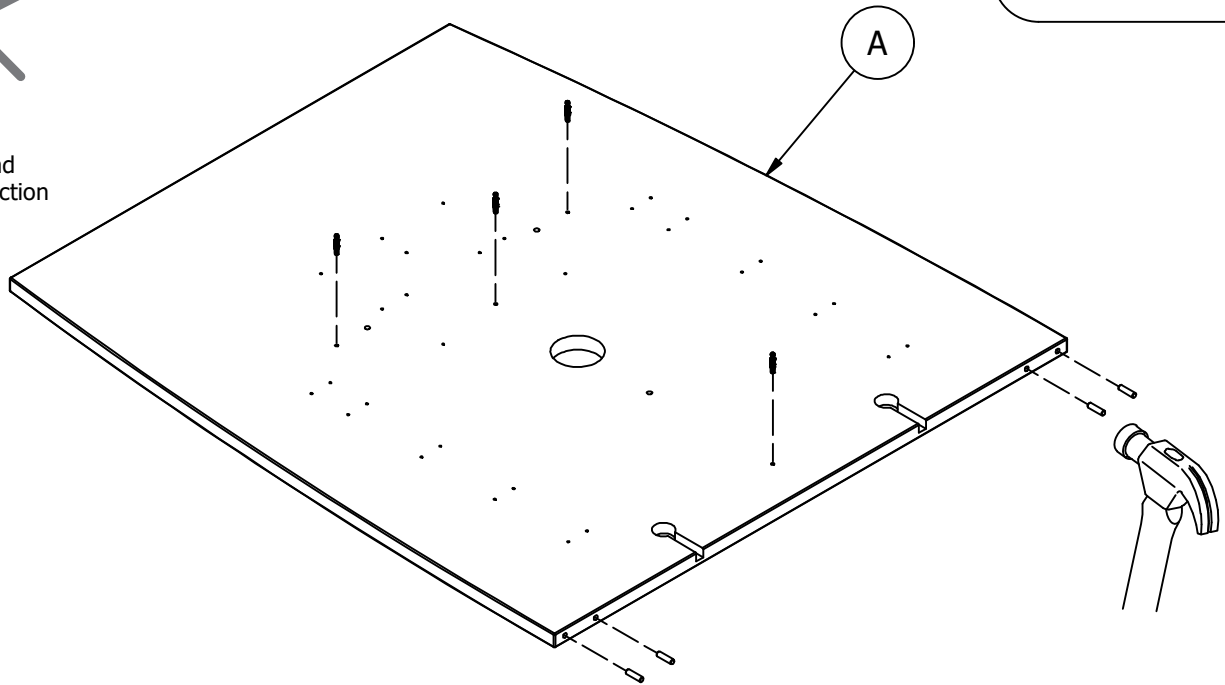


H72988  [ 8 ]  
KD Bolt

H38169  [ 4 ]  
Wood Dowel 8 x 30



Safety glasses  
Gafas de seguridad  
Lunettes de protection

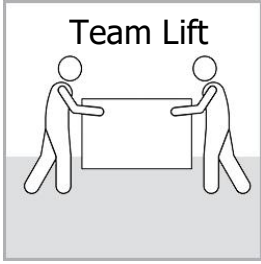


Have an assembly question or need a replacement part? Just call  
**1-800-950-4782**, we are here to help.

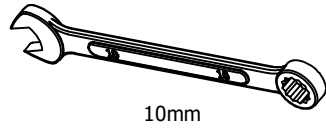
# STEP 7

# Assemble Panels

A176668C



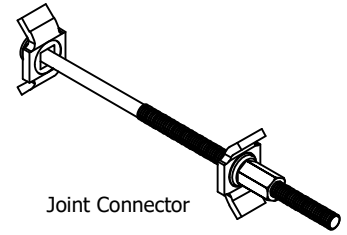
H176423



[ 1 ]

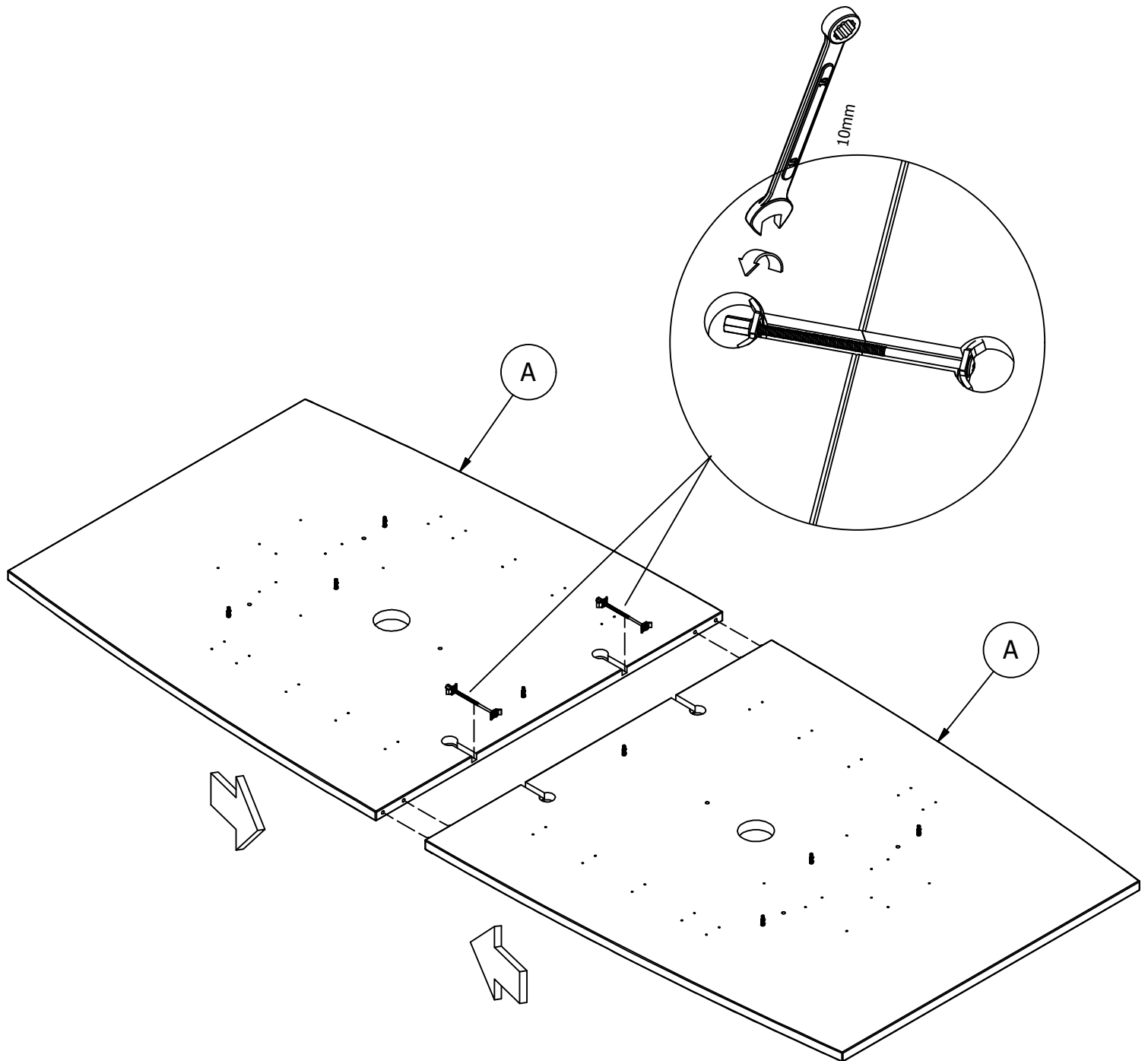
10mm

H120080



[ 2 ]

Joint Connector



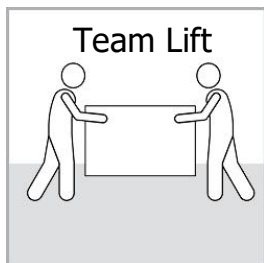
Have an assembly question or need a replacement part? Just call **1-800-950-4782**, we are here to help.



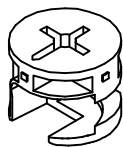
Scan QR Code to Watch Video on:



How to Tighten KD Cams

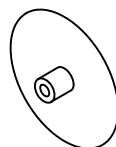


H71659



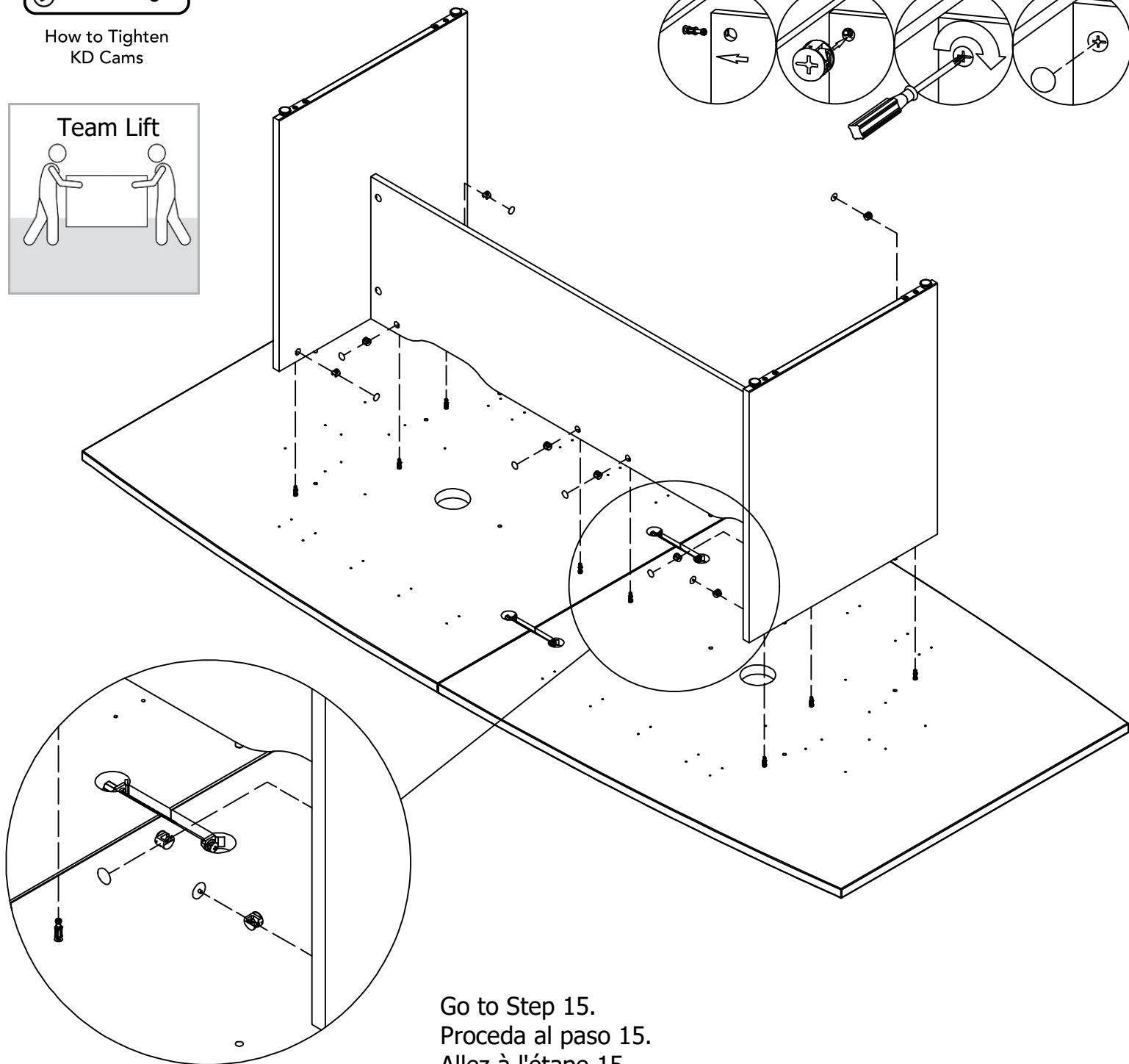
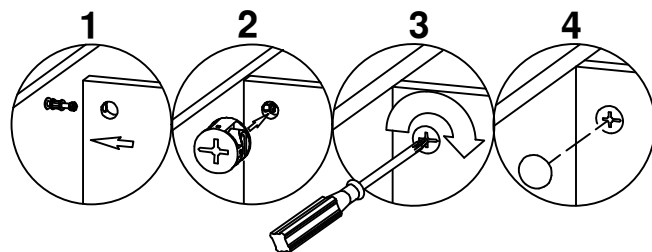
[ 8 ]

KD Cam



[ 8 ]

Cover Cap



Go to Step 15.  
Proceda al paso 15.  
Allez à l'étape 15.

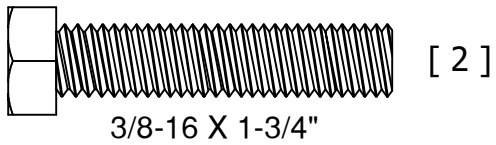
Have an assembly question or need a replacement part? Just call **1-800-950-4782**, we are here to help.

# STEP 9

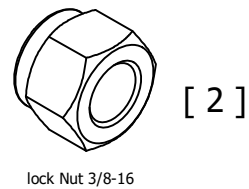
# Assemble Base

A176668C

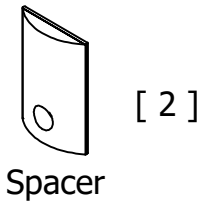
H172195



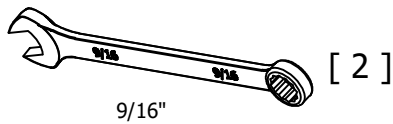
H172196



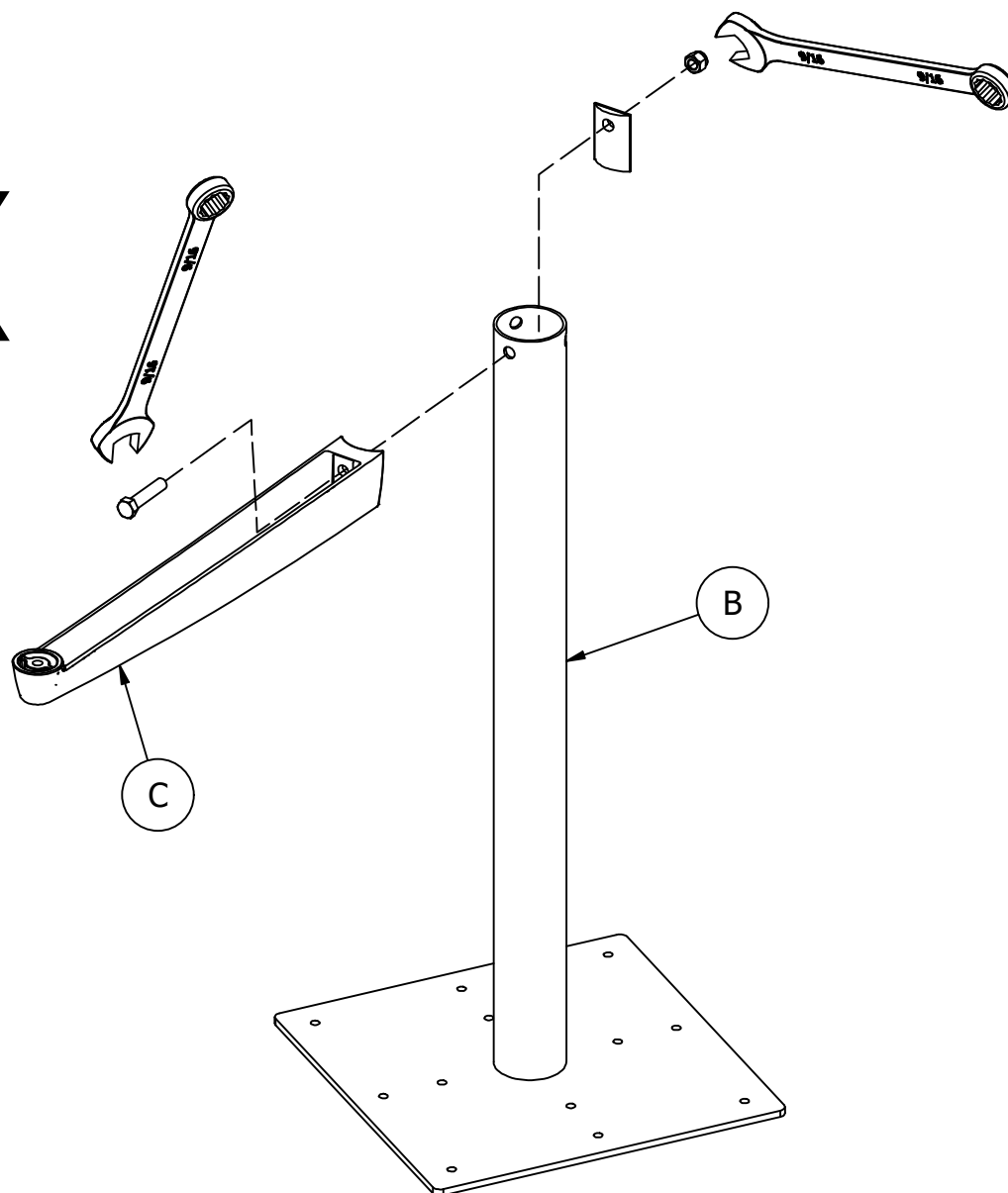
H175656



H176425



# 2X



Have an assembly question or need a replacement part? Just call  
**1-800-950-4782**, we are here to help.

# STEP 10

# Assemble Base

A17668C

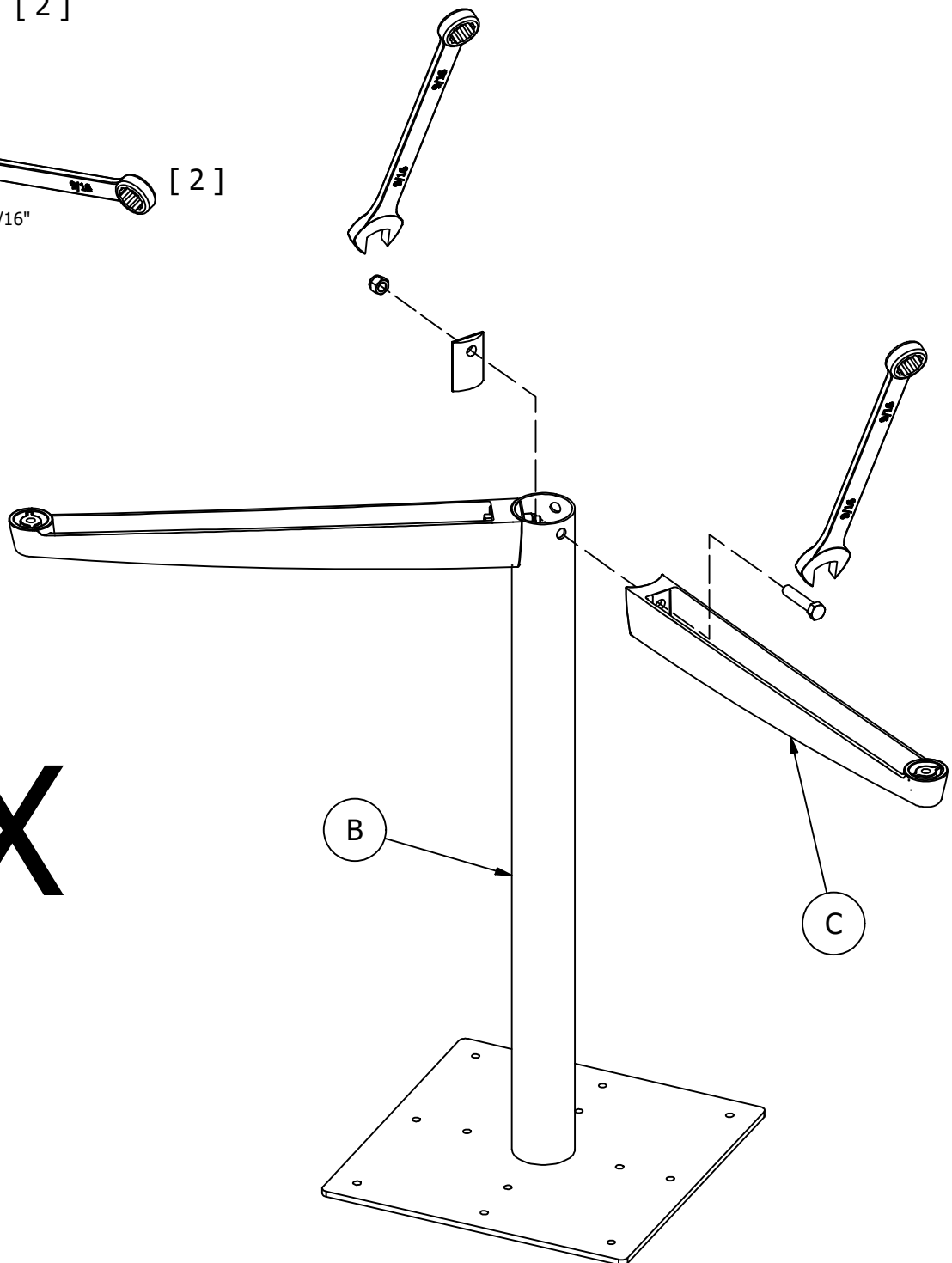
H172195 [ 2 ]  
3/8-16 X 1-3/4"

H172196 [ 2 ]  
lock Nut 3/8-16

H175656 [ 2 ]  
Spacer

H176425 [ 2 ]  
9/16"

# 2X

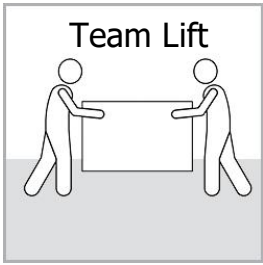


Have an assembly question or need a replacement part? Just call  
**1-800-950-4782**, we are here to help.

# STEP 11

# Assemble Base

A176668C



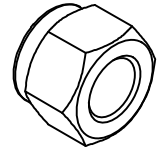
H172195



[ 2 ]

3/8-16 X 1-3/4"

H172196



[ 2 ]

lock Nut 3/8-16

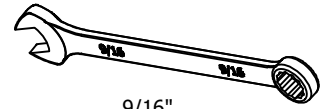
H175656



[ 2 ]

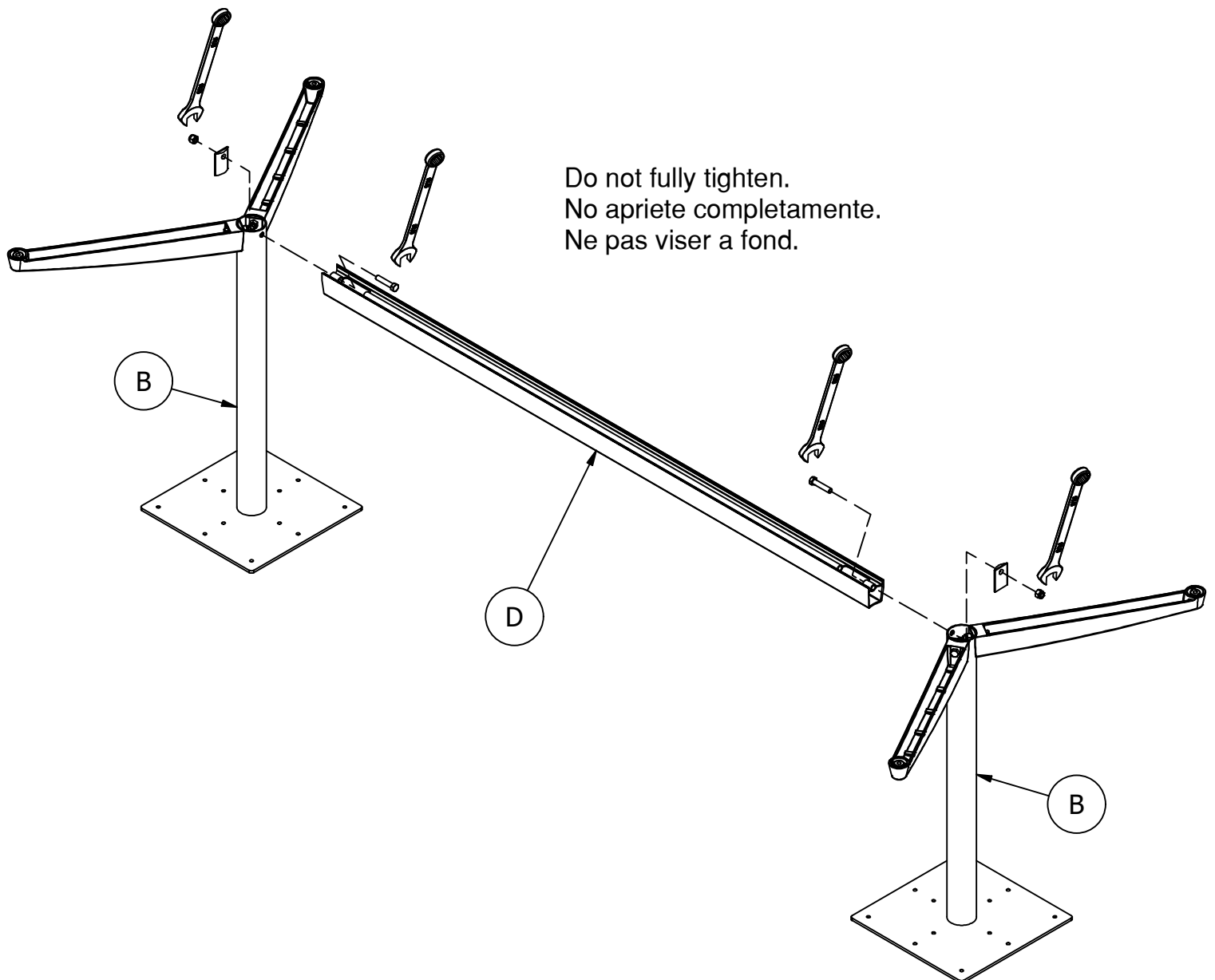
Spacer

H176425



[ 2 ]

9/16"

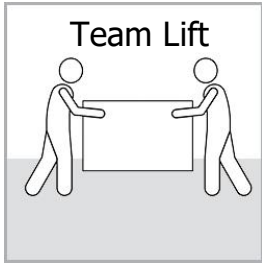



Have an assembly question or need a replacement part? Just call  
**1-800-950-4782**, we are here to help.

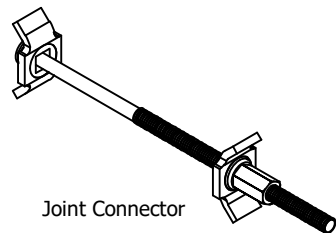
# STEP 12

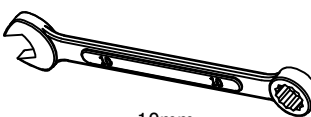
# Assemble Panels

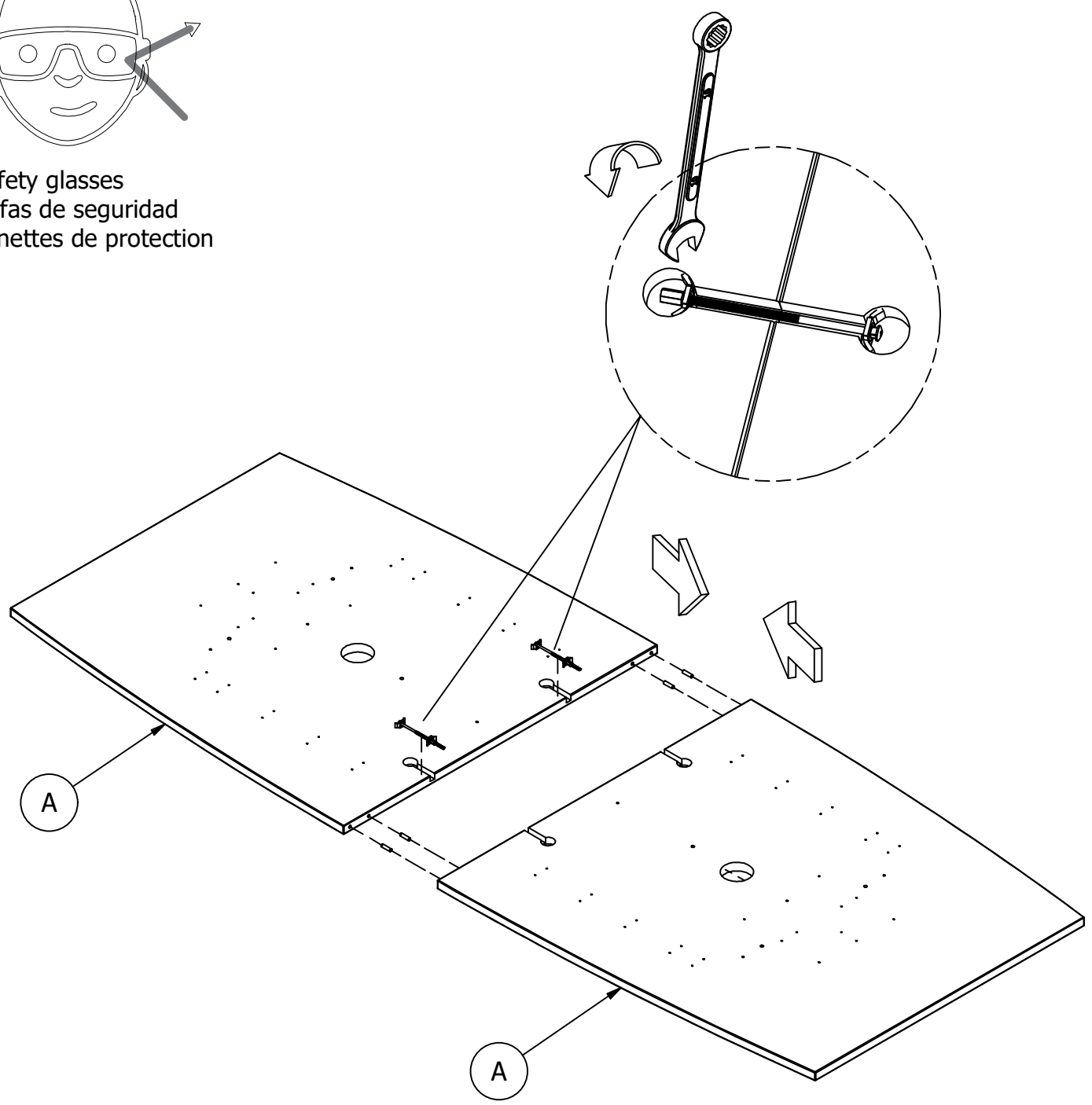
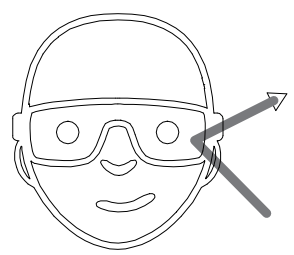
A176668C



H38169  [ 4 ]  
Wood Dowel 8 x 30

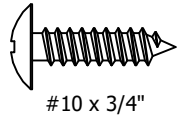
H120080  [ 2 ]  
Joint Connector

H176423  [ 1 ]  
10mm



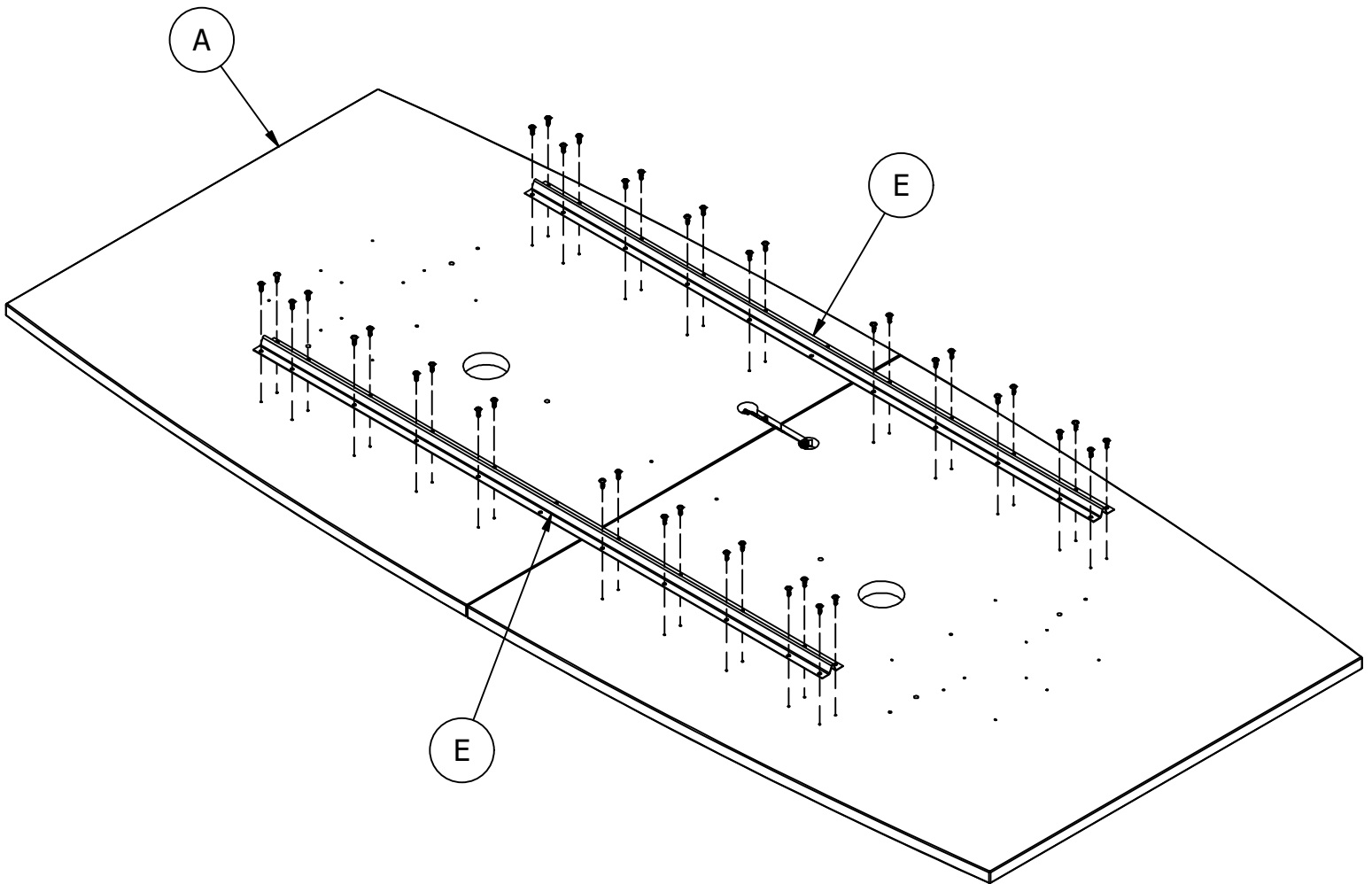
Have an assembly question or need a replacement part? Just call **1-800-950-4782**, we are here to help.

H142302



[ 40 ]

#10 x 3/4"

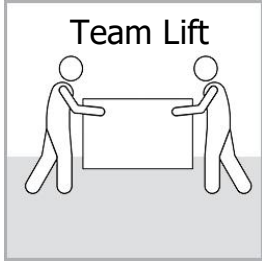


Have an assembly question or need a replacement part? Just call  
**1-800-950-4782**, we are here to help.

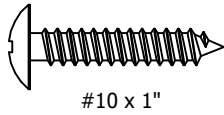
# STEP 14

# Attach Base

A176668C



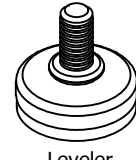
H23682



[ 20 ]

#10 x 1"

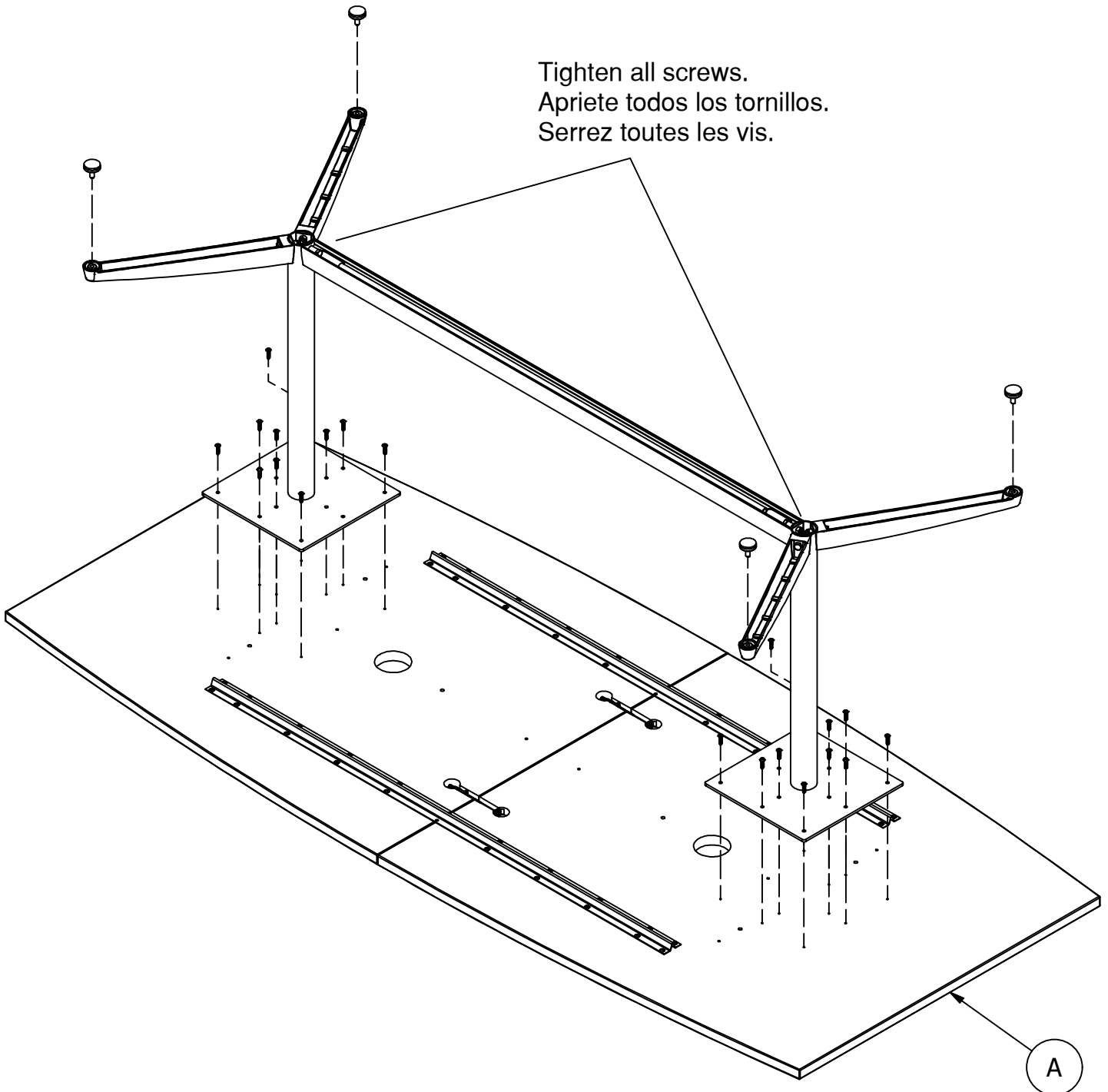
H172201



[ 4 ]

Leveler

Tighten all screws.  
Apriete todos los tornillos.  
Serrez toutes les vis.

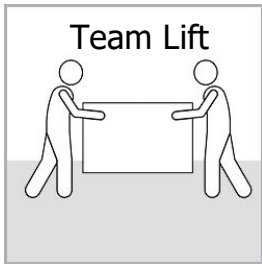


Have an assembly question or need a replacement part? Just call  
**1-800-950-4782**, we are here to help.

Scan QR Code to Watch Video on:



How to Clean the Surface



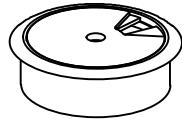
Team Lift

Gently clean surfaces with a damp sponge eraser.

With an assistant carefully stand unit upright.

Con un asistente cuidadosamente levante la unidad a una posición vertical.

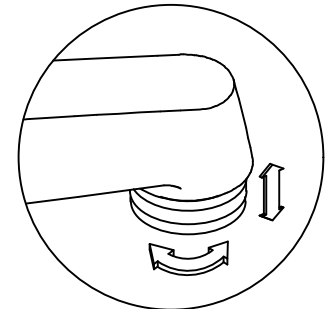
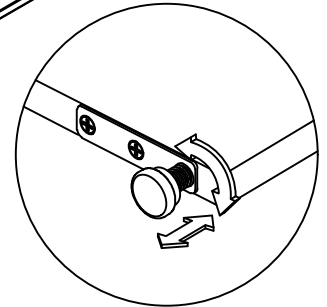
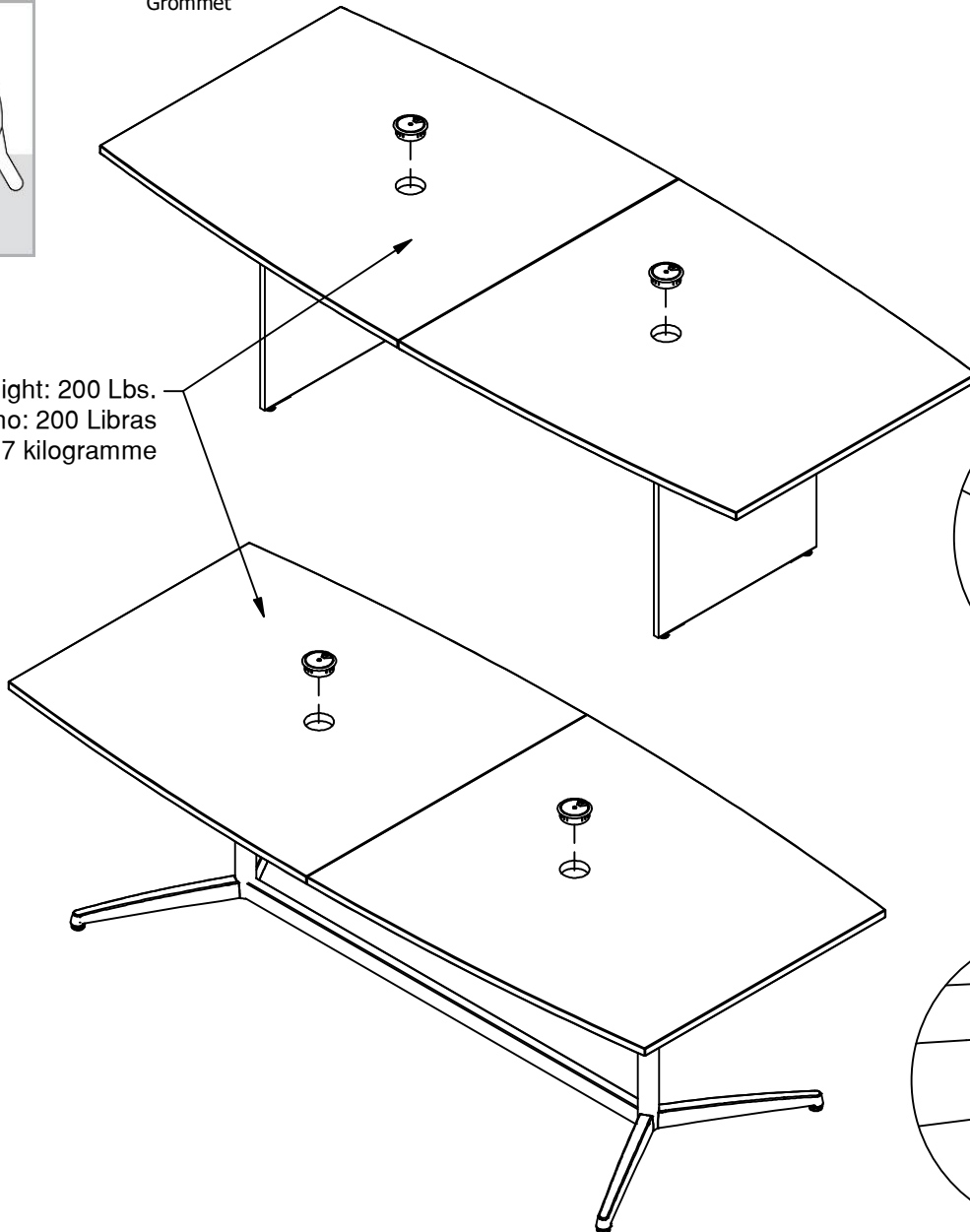
Avec l'aide d'un assistant placez soigneusement l'unité debout.



Grommet

[ 2 ]

Maximum Weight: 200 Lbs.  
Peso Máximo: 200 Libras  
Poids Maximum: 90.7 kilogramme



Congratulations! You are all done. If you have any questions or concerns, please call.

Have an assembly question or need a replacement part? Just call **1-800-950-4782**, we are here to help.



**99BTOP9642ABW**

A [ 2 ] W216200

**99BTOP9642HC**

A [ 2 ] W186919

**99BTOP9642AMH**

A [ 2 ] W216212

**99BTOP9642AMR**

A [ 2 ] W176670

**99BTOP9642PG**

A [ 2 ] W200314

**99BTOP9642SG**

A [ 2 ] W186898

**99BTOP9642WH**

A [ 2 ] W200316

---

**99CBASE96BW**

B [ 2 ] W216190

C [ 1 ] W216191

**99CBASE96HC**

B [ 2 ] W179037

C [ 1 ] W186920

**99CBASE96MH**

B [ 2 ] W216202

C [ 1 ] W216203

**99CBASE96MR**

B [ 2 ] W174229

C [ 1 ] W172250

**99CBASE96PG**

B [ 2 ] W200309

C [ 1 ] W200315

**99CBASE96SG**

B [ 2 ] W186895

C [ 1 ] W186899

**99CBASE96WH**

B [ 2 ] W200312

C [ 1 ] W200317

---

**991YLEGSV - QTY 2**

B [ 2 ] H171568

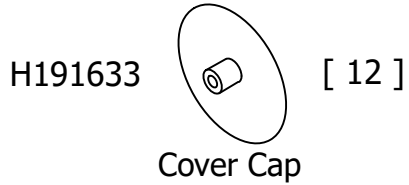
C [ 4 ] H172193

**99STCH96ASV - QTY 1**

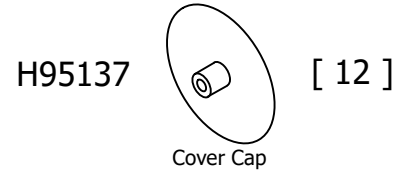
D [ 1 ] H172867

E [ 2 ] H176662

99CBASE96BW



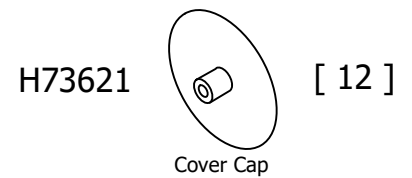
99CBASE96HC



99CBASE96MH



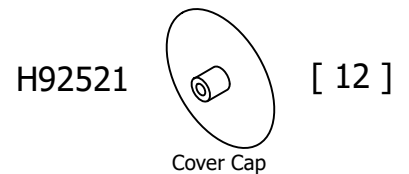
99CBASE96MR



99CBASE96PG



99CBASE96SG



99CBASE96WH

