



Metropolitan Popcorn Machines and Pedestal

Models: 11045, 11065, and 30050

The design of "Metropolitan", inspired by the Art Deco style of the 1930's, brings a unique, attractive appeal.

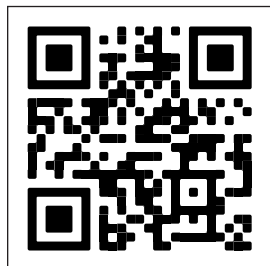
Standard Features

- ◆ Easy to use, simple two-switch operation
- ◆ Built-in heated warmer deck
- ◆ Interior merchandising lighting (bulb included)
- ◆ Old-maid drawer catches unpopped kernels
- ◆ Stainless steel food-zone for easy cleaning
- ◆ Thick 20 mil non-stick coated popping kettle
- ◆ Tempered glass panels on front and side
- ◆ Clear removable plexiglass doors at rear
- ◆ Non-slip rubber feet
- ◆ One year parts and labor warranty



Accessories and Options

30050	Pedestal Base for Metropolitan Popcorn Machines
42030	Aluminum Speed Scoop
42020	Plastic Popcorn Scoop -16 oz
40004	4 oz Popcorn Portion Packs - 24 packs/case
40006	6 oz Popcorn Portion Packs - 24 packs/case



Visit www.wincous.com for Popcorn Supplies

Project _____
 Item # _____
 Quantity _____



Front

Rear

11045 - 4oz
 11065 - 6oz



30050 Pedestal Base with 11045 Popcorn Machine

For California Customers

WARNING: Cancer and Reproductive Harm - www.P65Warnings.ca.gov

Winco® | Division of The Foodware Group™

www.wincous.com

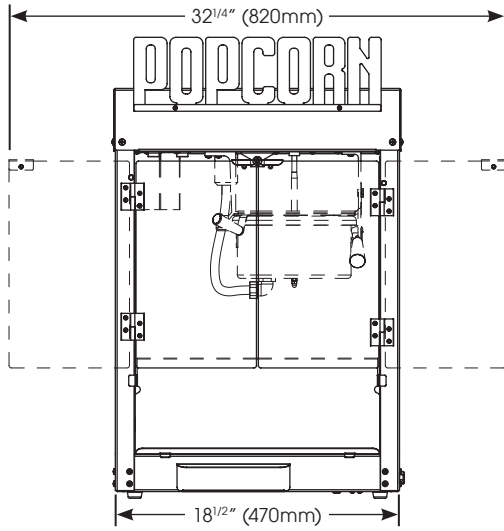
New Jersey Headquarters & Distribution Center
 65 Industrial Road, Lodi, NJ 07644
 Phone: 1-888-946-2682 | Fax: 1-973-916-9959

Florida Showroom & Distribution Center
 10800 NW 103rd St. Bldg 22, Ste 11, Miami, FL 33178
 Phone: 1-888-946-2682 | Fax: 1-973-916-9959

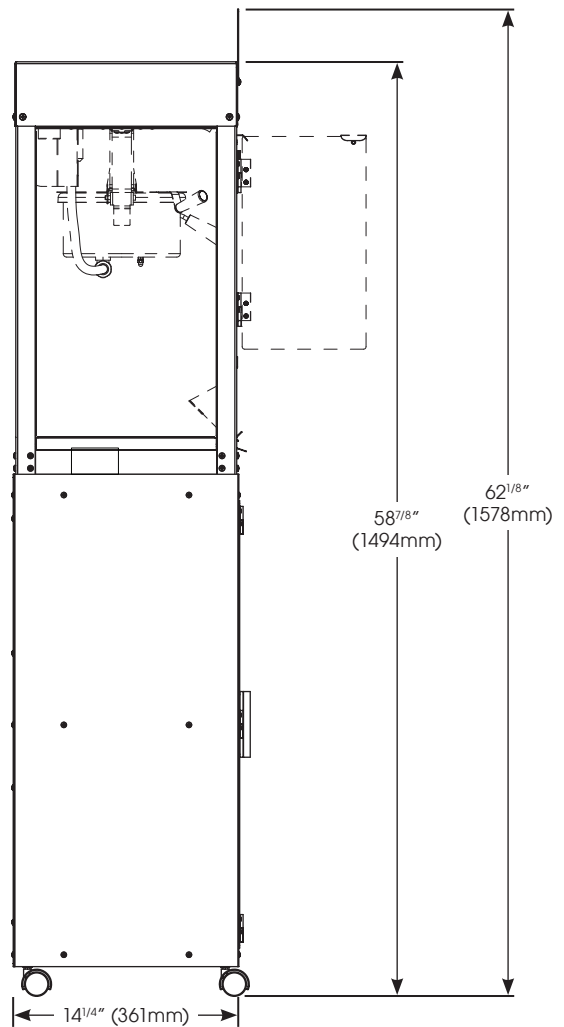
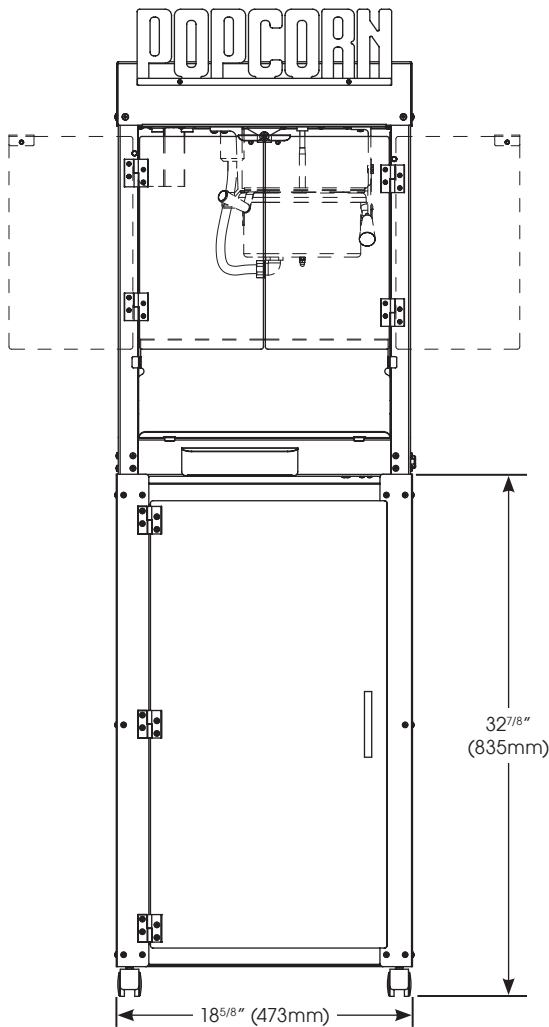
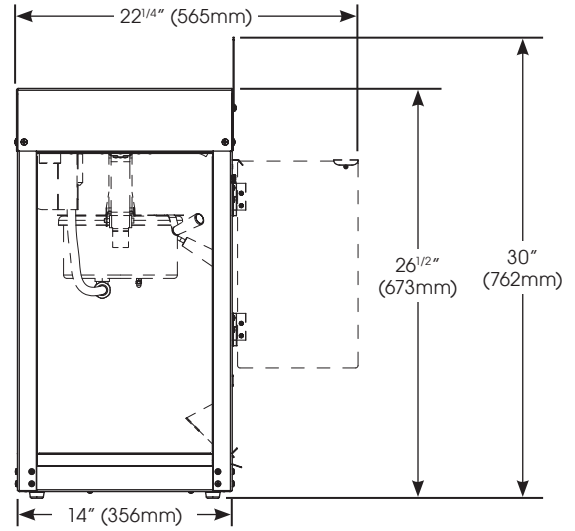
Nevada Distribution Center
 3777 Marion Drive, Las Vegas, NV 89115
 Phone: 1-888-946-2682 | Fax: 1-973-916-9959

Metropolitan Popcorn Machines and Pedestal
Models: 11045, 11065, and 30050

BACK VIEW



SIDE VIEW





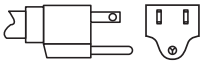
Metropolitan Popcorn Machines and Pedestal

Models: 11045, 11065, and 30050

MODEL	DESCRIPTION	OVERALL DIMENSIONS			VOLTS	HZ	WATTS	AMPS	PLUG	SHIP WEIGHT
		LENGTH	DEPTH	HEIGHT						
11045	4 oz Kettle	18-1/2" 470mm	14" 356mm	30" 762mm	120 V	60 Hz	1040 W	8.6 A	NEMA 5-15P	51 lbs (23.1kg)
11065	6 oz Kettle				120 V	60 Hz	1240 W	10.3 A	NEMA 5-15P	52 lbs (23.6kg)
30050	Pedestal Base	18-5/8" 473mm	14-1/4" 361mm	32-7/8" 835mm						55 lbs (25kg)

Plug Configurations

NEMA 5-15P



Cord Location

Back left side or operator's side right

Bulb Type

50 Watt R20

Product Specs

Metropolitan Popcorn Machines

The Benchmark USA™, Metropolitan Popcorn Machines models 11045 and 11065 as manufactured by Winco®, Lodi, NJ 07644

The Metropolitan Popcorn Machine model 11045 shall have a 4 oz kettle capacity be rated at 1040W, 120V~60Hz and model 11065 shall have a 6 oz kettle capacity be rated at 1240W, 120V~60Hz. Kettles are constructed with a thick 20 mil non-stick coating. All units shall be supplied with a NEMA 5-15P plug.

Units cabinet shall be constructed of a stainless steel, aluminum, powder coated painted accent panels with tempered glass panels on front and side and clear plexiglass doors at rear. Units are supplied with easy to use, simple two-switch operation, built-in heated warmer deck, interior merchandising lighting (bulb included), old-maid drawer to catch unpopped kernels.

CE certified and ETL listed for safety (Canada & US) and sanitation.

Warranty consists of one year parts and labor.