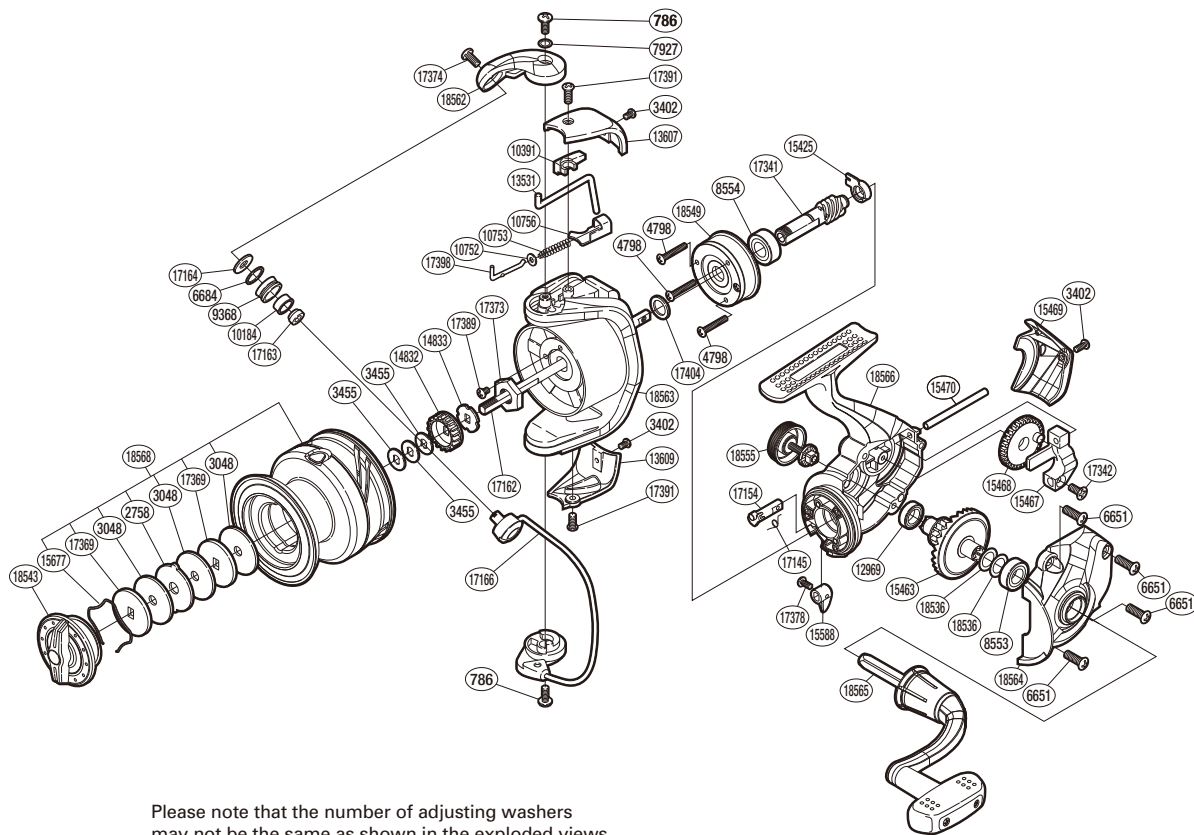


# SHIMANO

## NEXAVE

## NEX-C5000HGFE



Please note that the number of adjusting washers may not be the same as shown in the exploded views. (51SB47H051X) (Adjustment will vary with each individual product.)

Part No.	Description	Part No.	Description	Part No.	Description
RD 0786	Screw	RD13607	Bail Spring Cover	RD17342	Screw
RD 2758	Eared Washer	RD13609	Bail Hold Support Guard	RD17369	Key Washer
RD 3048	Drag Washer	RD14832	Spool Support A	RD17373	Rotor Nut
RD 3402	Screw	RD14833	Spool Support B	RD17374	Screw
RD 3455	Spool Washer	RD15425	Pinion Gear Bushing	RD17378	Screw
RD 4798	Screw	RD15463	Drive Gear	RD17389	Screw
RD 6651	Screw	RD15467	Oscillating Slider	RD17391	Screw
RD 6684	Line Roller Spacer	RD15468	Oscillating Gear	RD17398	Bail Spring Guide A
RD 7927	Washer	RD15469	Rear Protector	RD17404	Washer
RD 8553	Ball Bearing	RD15470	Oscillating Guide	RD18536	Washer
RD 8554	Ball Bearing	RD15588	Anti-Reverse Lever	RD18543	Drag Knob Assembly
RD 9368	Line Roller	RD15677	Drag Washers Retainer	RD18549	Roller Clutch Assembly
RD10184	Line Roller Bushing	RD17145	Anti-Reverse Cam Spring	RD18555	Handle Screw Cap
RD10391	Bail Trip Cover	RD17154	Anti-Reverse Cam	RD18562	Bail Arm
RD10752	Bail Spring Guide A Support	RD17162	Main Shaft	RD18563	Rotor
RD10753	Bail Spring	RD17163	Line Roller Collar	RD18564	Side Cover
RD10756	Bail Spring Seat	RD17164	Line Roller Washer	RD18565	Handle Assembly
RD12969	Ball Bearing	RD17166	Bail Assembly	RD18566	Body Assembly
RD13531	Bail Trip Lever	RD17341	Pinion Gear	RD18568	Spool Assembly