

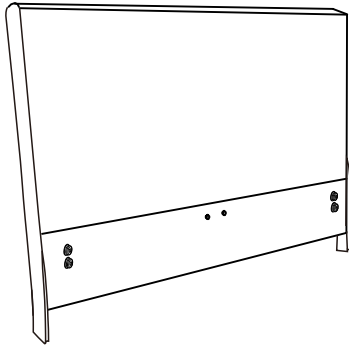
# JULIETTE PLATFORM BED FULL/QUEEN ASSEMBLY INSTRUCTIONS



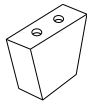
## PARTS AND PACKAGING DETAIL

### BOX #1

- A. HEADBOARD 1 PC
- B. HEADBOARD LEG 2 PCS



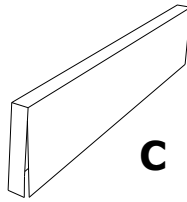
**A**



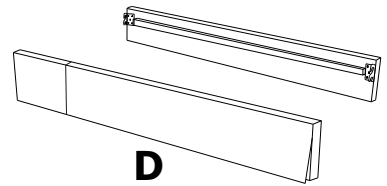
**B**

### BOX #2

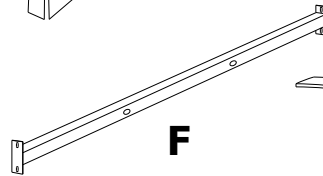
- C. FOOTBOARD 1 PC
- D. SIDE RAIL 2 PCS
- E. FOOTBOARD LEG 2 PCS
- F. CENTER SLAT SUPPORT 1 PC
- G. CENTER SUPPORT LEG 2 PCS
- H. SLAT 26 PCS
- I. SIDE RAIL SLAT CLIP 26 PCS
- J. CENTER SUPPORT SLAT CLIP 13 PCS



**C**



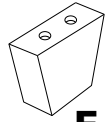
**D**



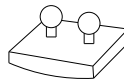
**F**



**H**



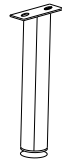
**E**



**I**

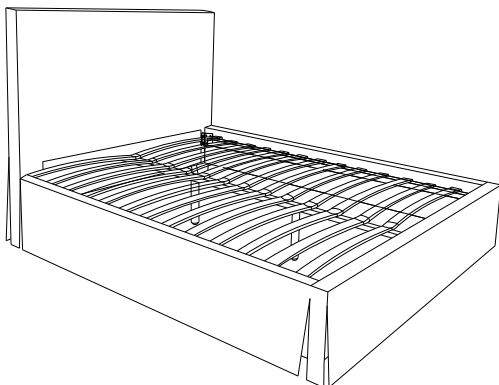


**J**


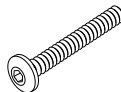
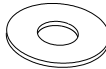



**G**


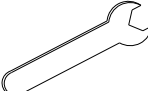
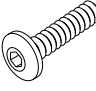
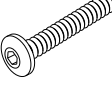
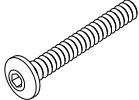



### JULIETTE BED ASSEMBLED



#### HARDWARE PACKED IN BOX #1

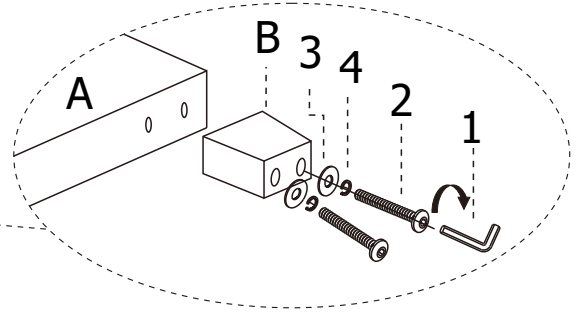
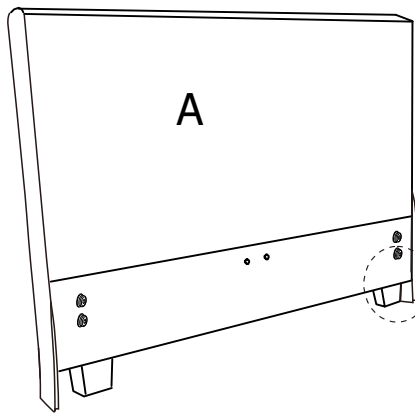
1	ALLEN KEY 5/16"	2	ALLEN BOLT 5/16x3-1/4"	3	FLAT WASHER 5/16"	4	LOCK WASHER 5/16"
							
1PC		4PCS		4PCS		4PCS	

#### HARDWARE PACKED IN BOX #2

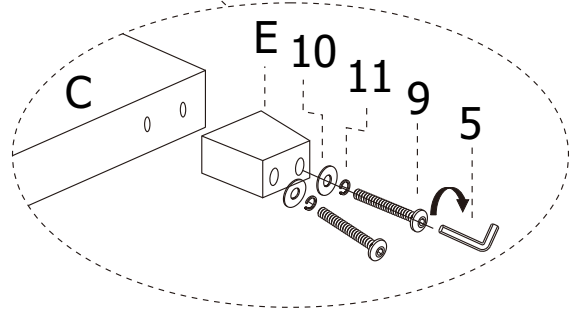
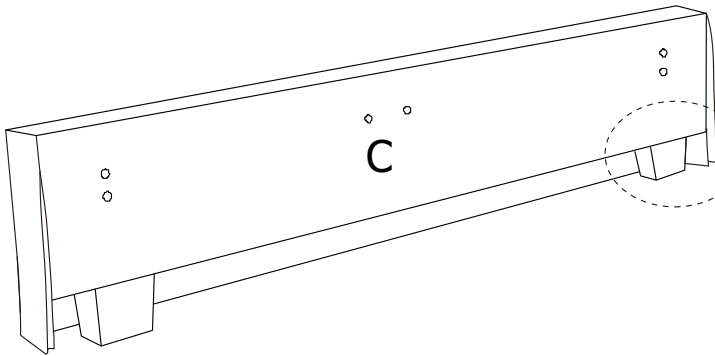
5	ALLEN KEY 5/16"	6	SPANNER 5/16"	7	ALLEN BOLT 5/16x1"	8	ALLEN BOLT 5/16x2-1/2"
							
1PC		1PC		4PCS		4PCS	
9	ALLEN BOLT 5/16x3-1/4"	10	FLAT WASHER 5/16"	11	LOCK WASHER 5/16"	12	HEX NUT 5/16"
							
4PCS		16PCS		12PCS		4PCS	



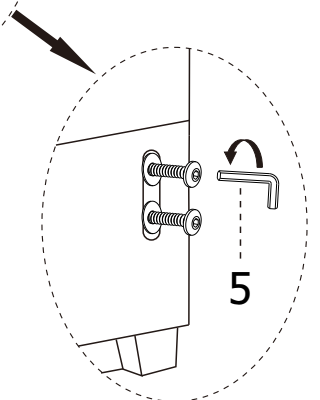
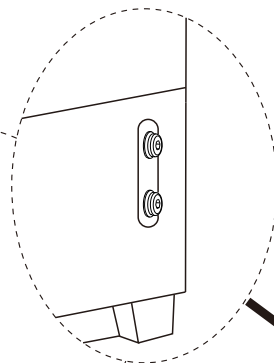
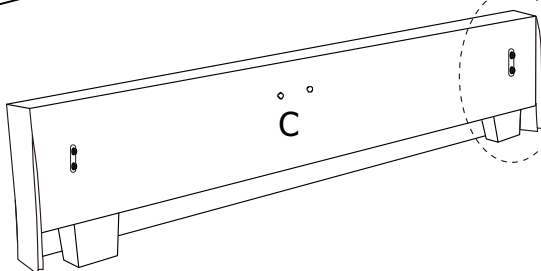
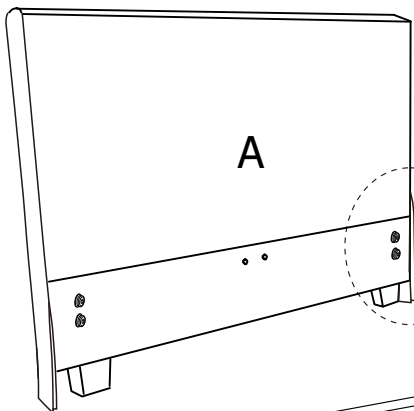
**STEP 1 :**



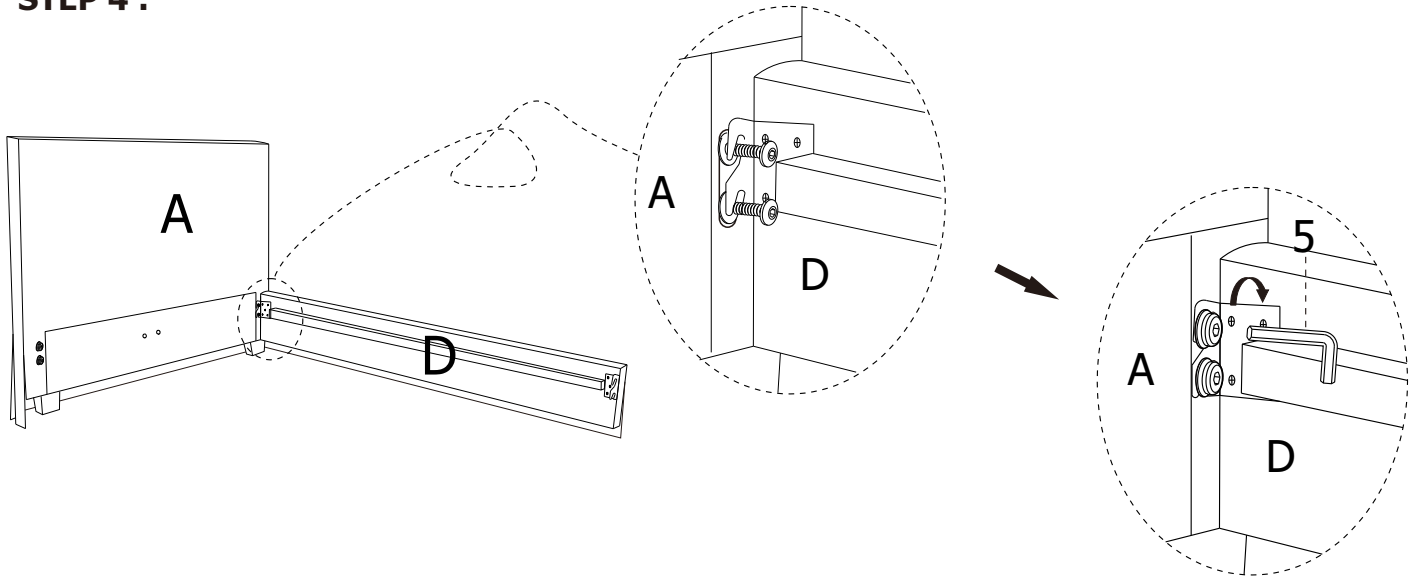
**STEP 2 :**



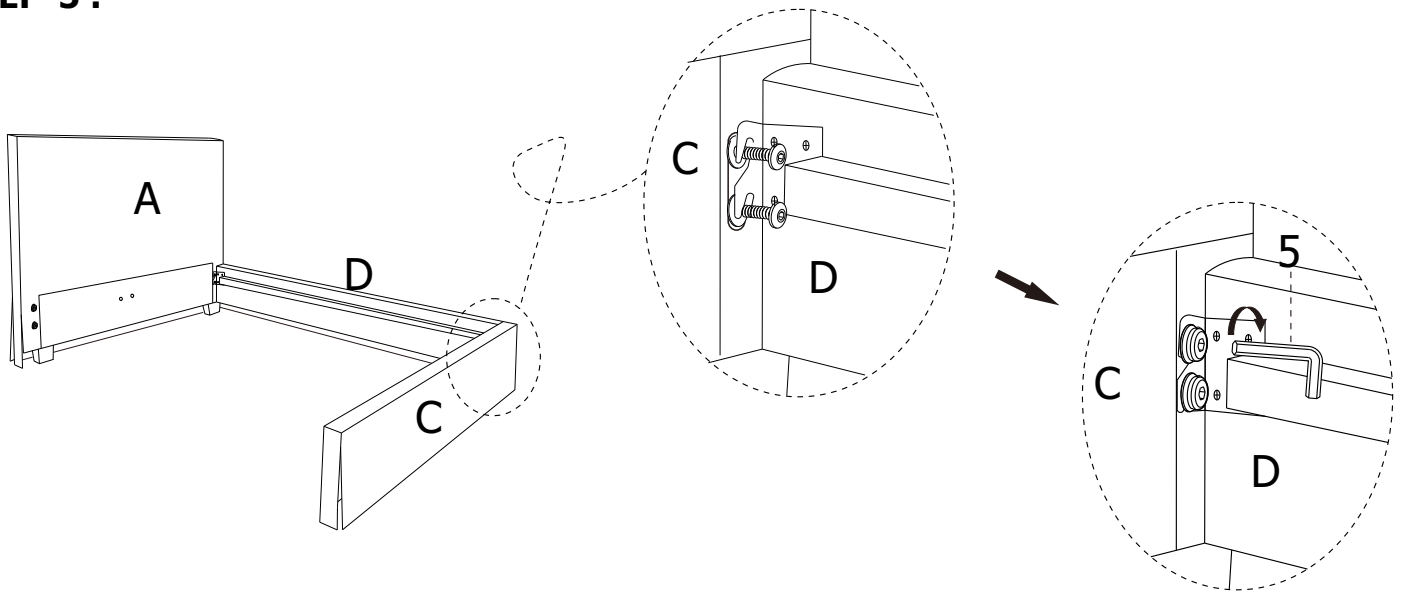
**STEP 3 :**



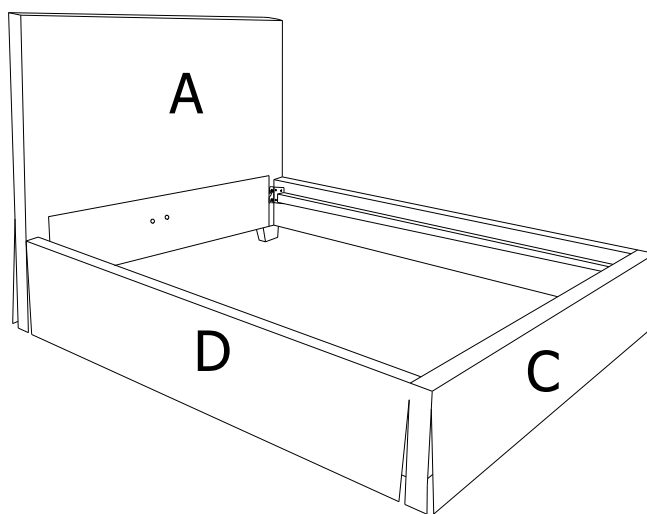
**STEP 4 :**



**STEP 5 :**



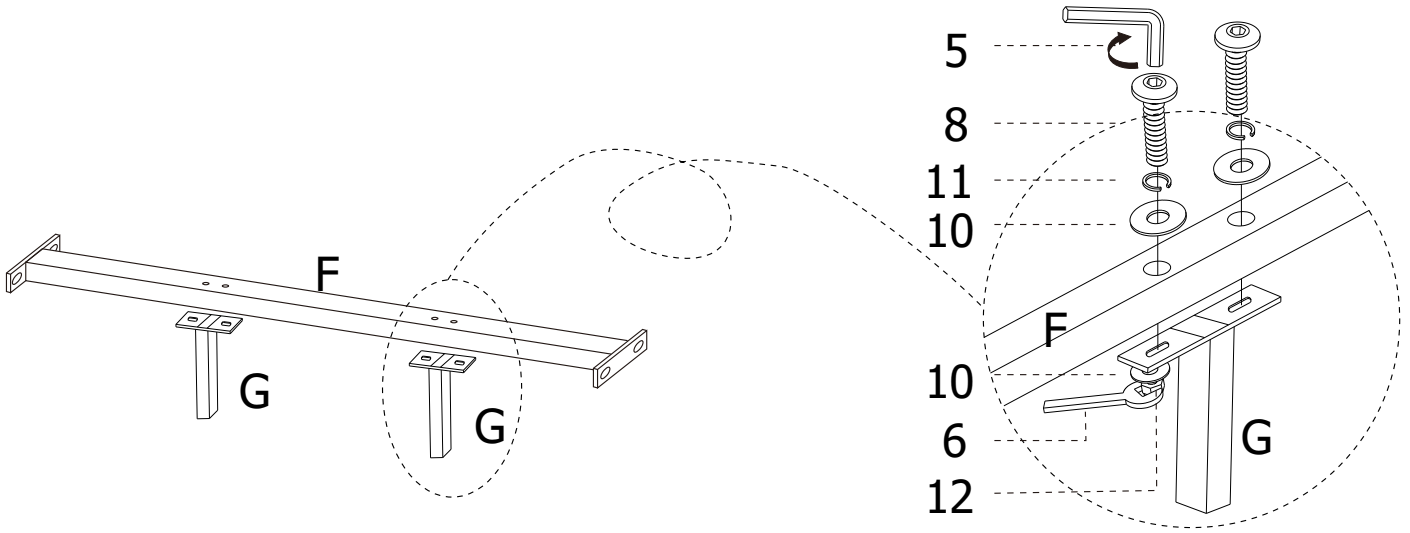
**STEP 6 :**



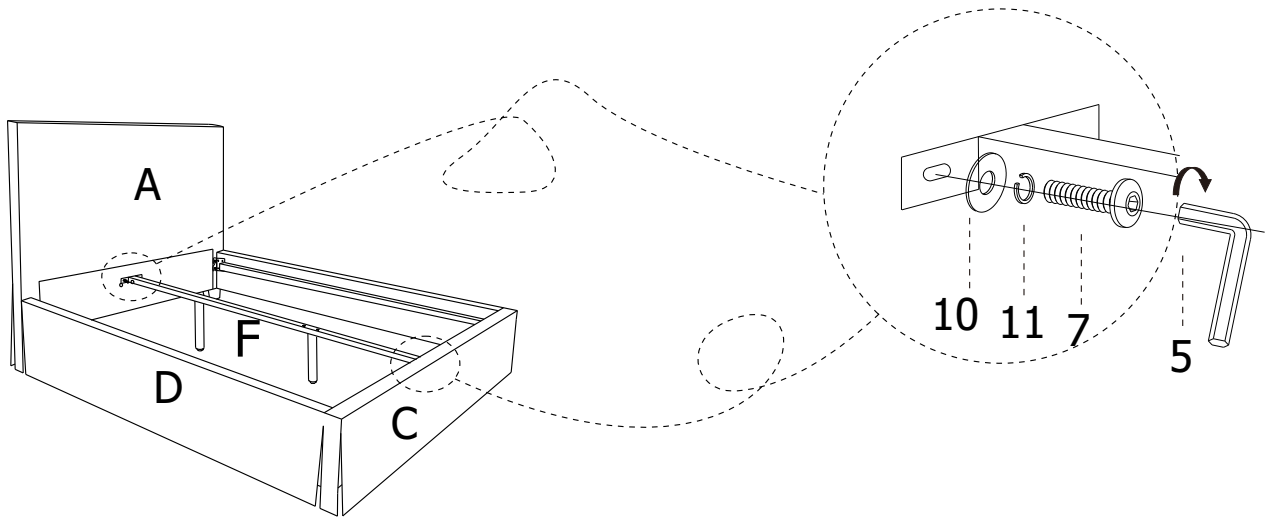
**STOP**

- IF USING BED WITH AN ADJUSTABLE MATTRESS BASE, SKIP STEPS 7,8,9,& 10 AND REFERENCE APPENDIX A: ADJUSTABLE MATTRESS BASE ASSEMBLY SUPPLEMENT.
- IF USING BED FRAME WITH STANDARD BOX SPRING OR FOUNDATION, CONTINUE TO STEP 7.

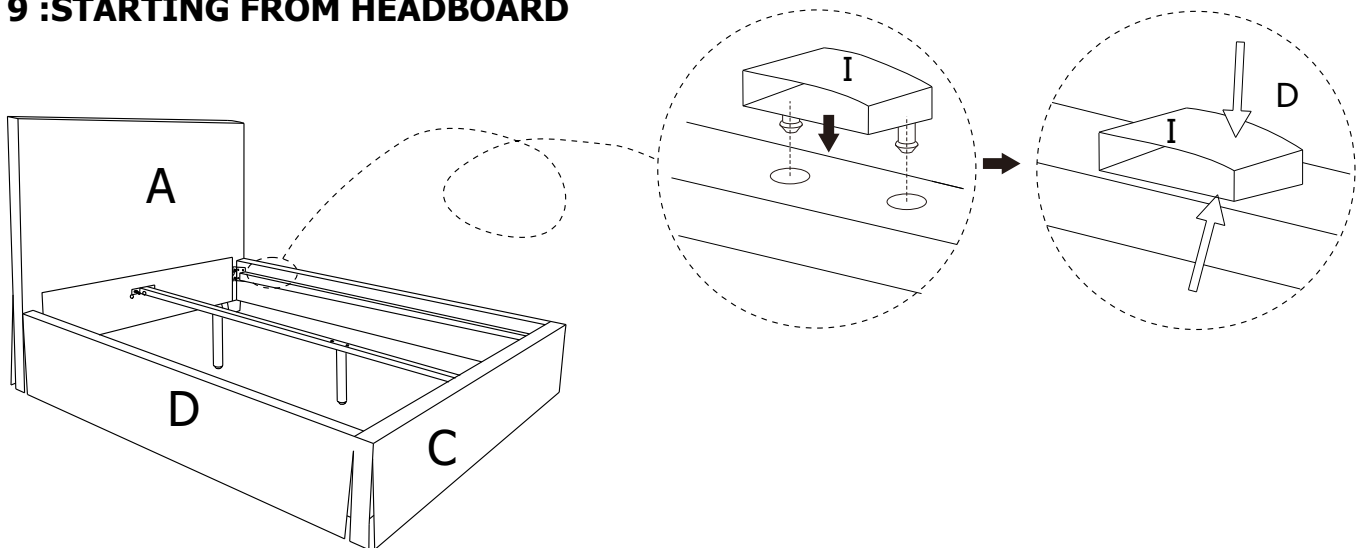
**STEP 7 :**



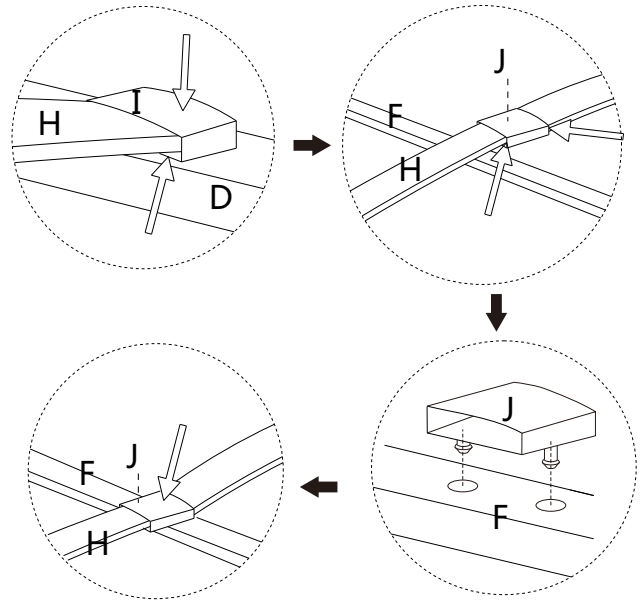
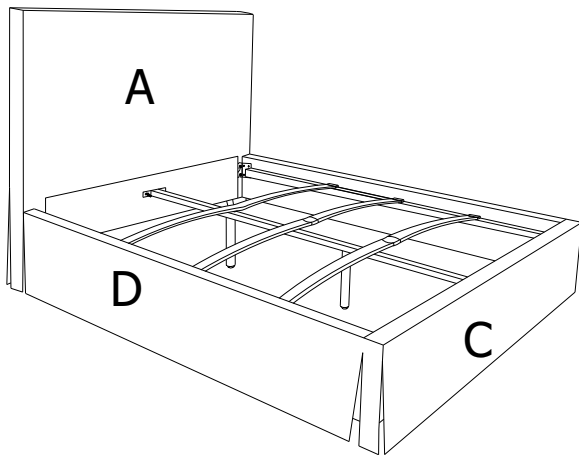
**STEP 8 :**



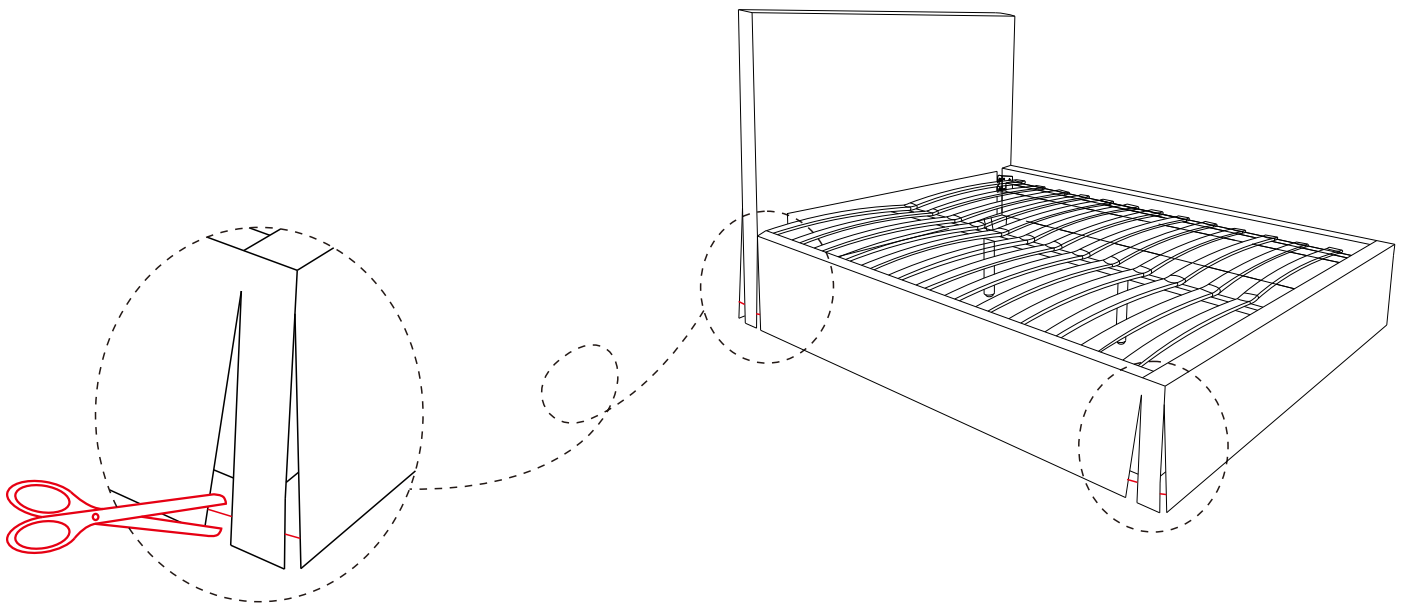
**STEP 9 :STARTING FROM HEADBOARD**



## STEP 10 :



## STEP 11 :FOR FABRIC TO LAY CORRECTLY CUT THREADS SECURING PLEATS.

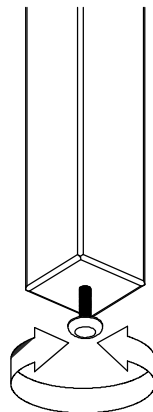


## INSTRUCTIONS FOR ADJUSTING LEVELERS :

POSITION THE BED IN YOUR ROOM. LOCATE LEVELERS UNDER EACH SUPPORT LEG (G).

TURN COUNTER-CLOCKWISE TO EXTEND, CLOCKWISE TO RETRACT.

ADJUST LEVELERS UNTIL EACH LEG SUPPORT IS APPLYING EQUAL UPWARD PRESSURE ON THE CENTER SLAT.



## MAINTENANCE INSTRUCTIONS :

- REMOVE BOX SPRING AND MATTRESS BEFORE MOVING YOUR BED.
- LIFT YOUR BED WHEN MOVING IT. DRAGGING CAN DAMAGE CENTER SUPPORT.
- READJUST LEVELERS AFTER MOVING YOUR BED.

# JULIETTE PLATFORM BED FULL/QUEEN ASSEMBLY INSTRUCTIONS



## APPENDIX A:ADJUSTABLE MATTRESS BASE ASSEMBLY SUPPLEMENT

AN ADJUSTABLE MATTRESS BASE IS A FREESTANDING MATTRESS SUPPORT THAT SITS WITHIN THE PERIMETER OF THE BED FRAME.

IF USING THIS BED FRAME WITH A STANDARD BOX SPRING OR FOUNDATION THESE INSTRUCTIONS DO NOT APPLY.

PRE-ASSEMBLED SIDE RAIL CLEATS OBSTRUCT ADJUSTABLE BASE INSTALLATION AND OPERATION. FOLLOW THESE INSTRUCTIONS TO REMOVE THEM.



### **WARNING!**

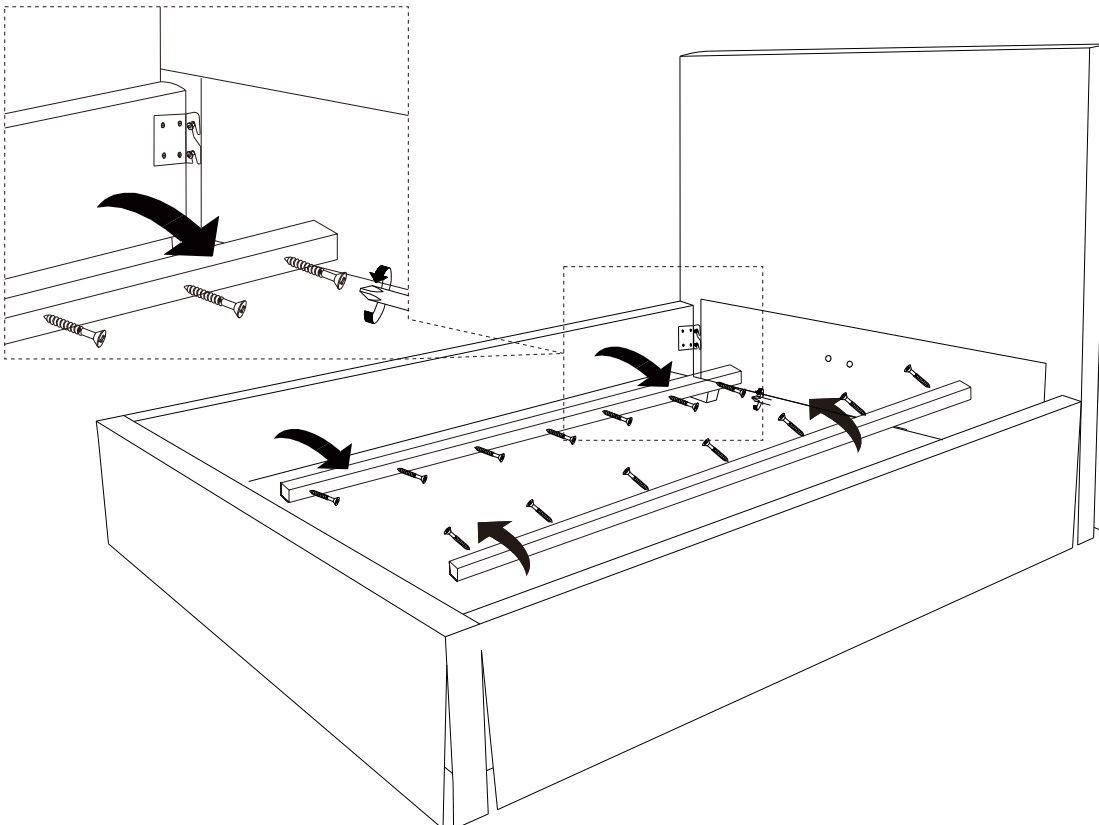
SIDE RAIL CLEATS ARE HELD IN PLACE USING PHILLIPS HEAD SCREWS. ONCE THEY ARE REMOVED THE USER WILL NOT BE ABLE TO SAFELY RE-INSTALL THE SIDE RAIL CLEATS FOR FUTURE USE WITH A STANDARD BOX SPRING OR FOUNDATION.

### **THE FOLLOWING PARTS ARE NOT REQUIRED FOR ADJUSTABLE MATTRESS BASE INSTALLATION:**

F. CENTER SLAT SUPPORT	1 PC
G. CENTER SUPPORT LEG	2 PCS
H. SLAT	26 PCS
I. SIDE RAIL SLAT CLIP	26 PCS
J. CENTER SUPPORT SLAT CLIP	13 PCS

### **STEP 1 :**

USE A PHILLIPS HEAD SCREWDRIVER (NOT PROVIDED) TO UNSCREW THE PHILLIPS SCREWS AND REMOVE THE PRE-ASSEMBLED SIDE RAIL CLEATS.



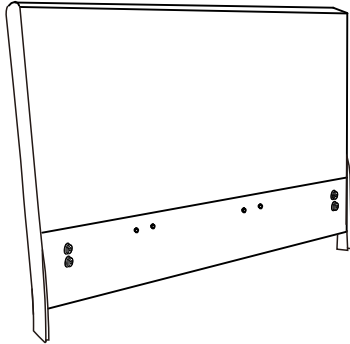
# JULIETTE PLATFORM BED C.KING/E.KING ASSEMBLY INSTRUCTIONS



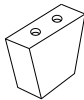
## PARTS AND PACKAGING DETAIL

### BOX #1

- A. HEADBOARD 1 PC
- B. HEADBOARD LEG 2 PCS



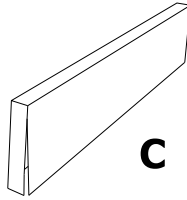
**A**



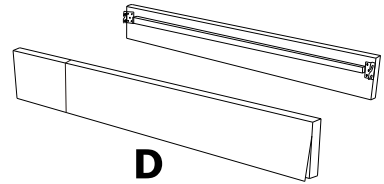
**B**

### BOX #2

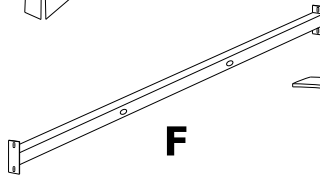
- C. FOOTBOARD 1 PC
- D. SIDE RAIL 2 PCS
- E. FOOTBOARD LEG 2 PCS
- F. CENTER SLAT SUPPORT 2 PCS
- G. CENTER SUPPORT LEG 4 PCS
- H. SLAT 39 PCS
- I. SIDE RAIL SLAT CLIP 26 PCS
- J. CENTER SUPPORT SLAT CLIP 26 PCS



**C**



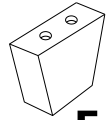
**D**



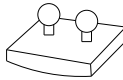
**F**



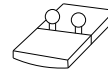
**H**



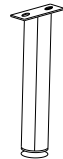
**E**



**I**

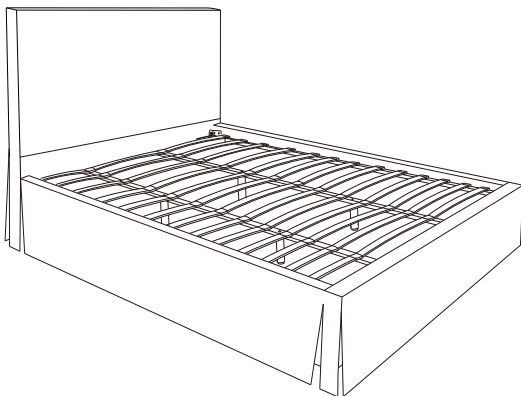


**J**



**G**

### JULIETTE BED ASSEMBLED



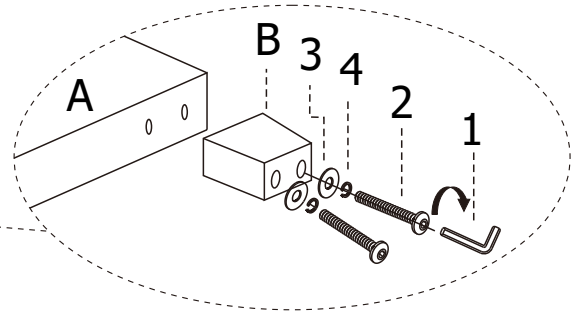
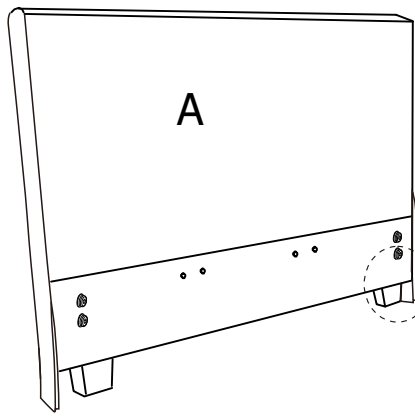
#### HARDWARE PACKED IN BOX #1

1	ALLEN KEY 5/16"	2	ALLEN BOLT 5/16x3-1/4"	3	FLAT WASHER 5/16"	4	LOCK WASHER 5/16"
1PC		4PCS		4PCS		4PCS	

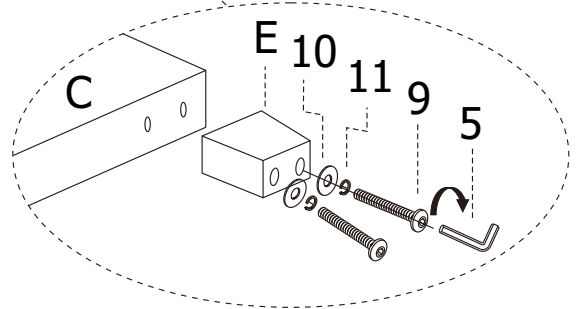
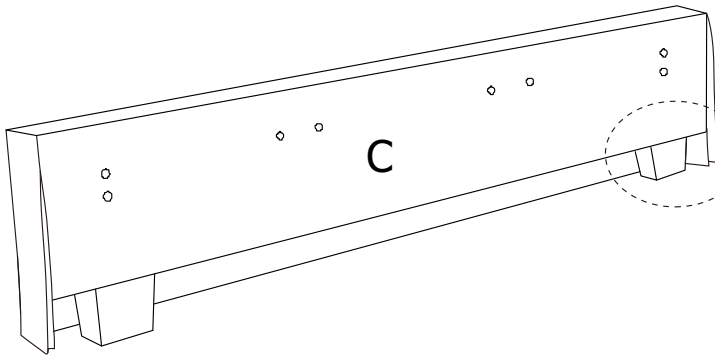
#### HARDWARE PACKED IN BOX #2

5	ALLEN KEY 5/16"	6	SPANNER 5/16"	7	ALLEN BOLT 5/16x1"	8	ALLEN BOLT 5/16x2-1/2"
1PC		1PC		8PCS		8PCS	
9	ALLEN BOLT 5/16x3-1/4"	10	FLAT WASHER 5/16"	11	LOCK WASHER 5/16"	12	HEX NUT 5/16"
4PCS		28PCS		20PCS		8PCS	

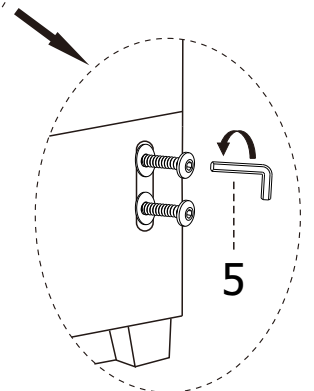
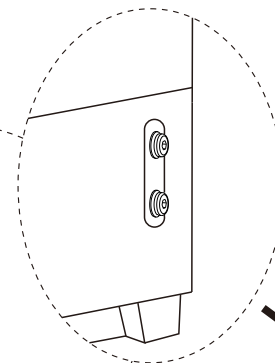
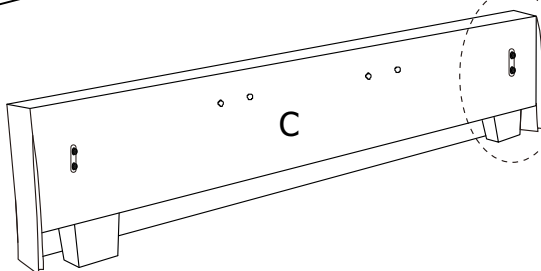
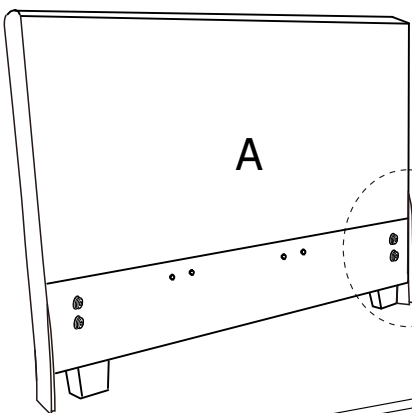
**STEP 1 :**



**STEP 2 :**

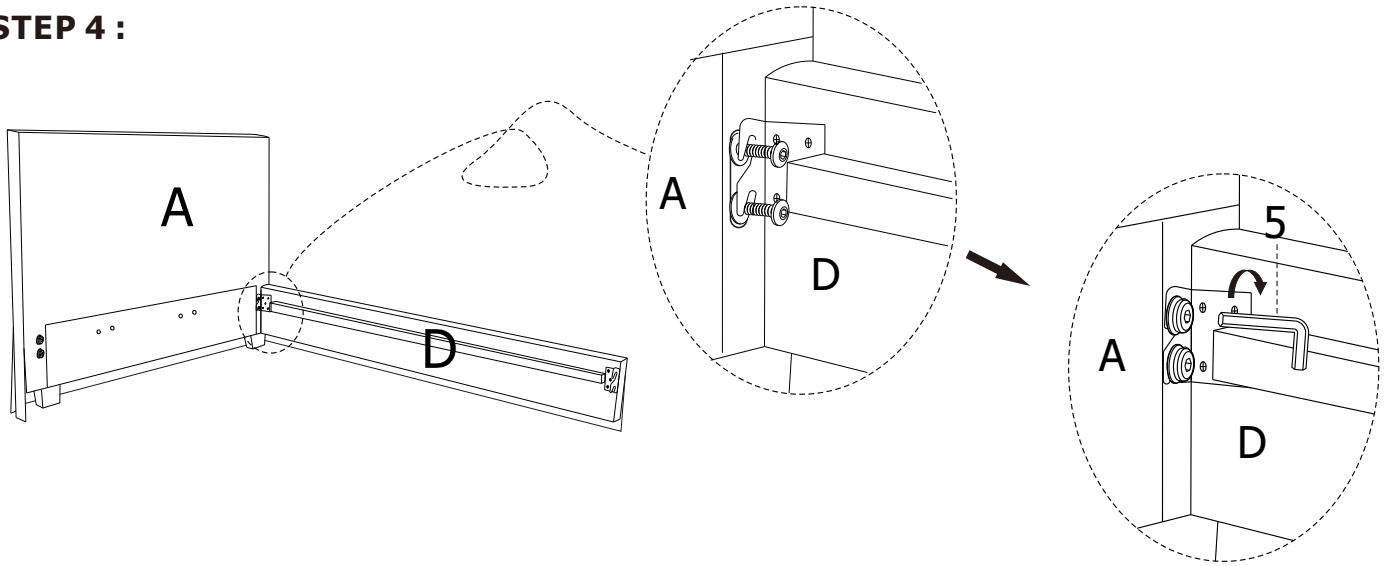


**STEP 3 :**

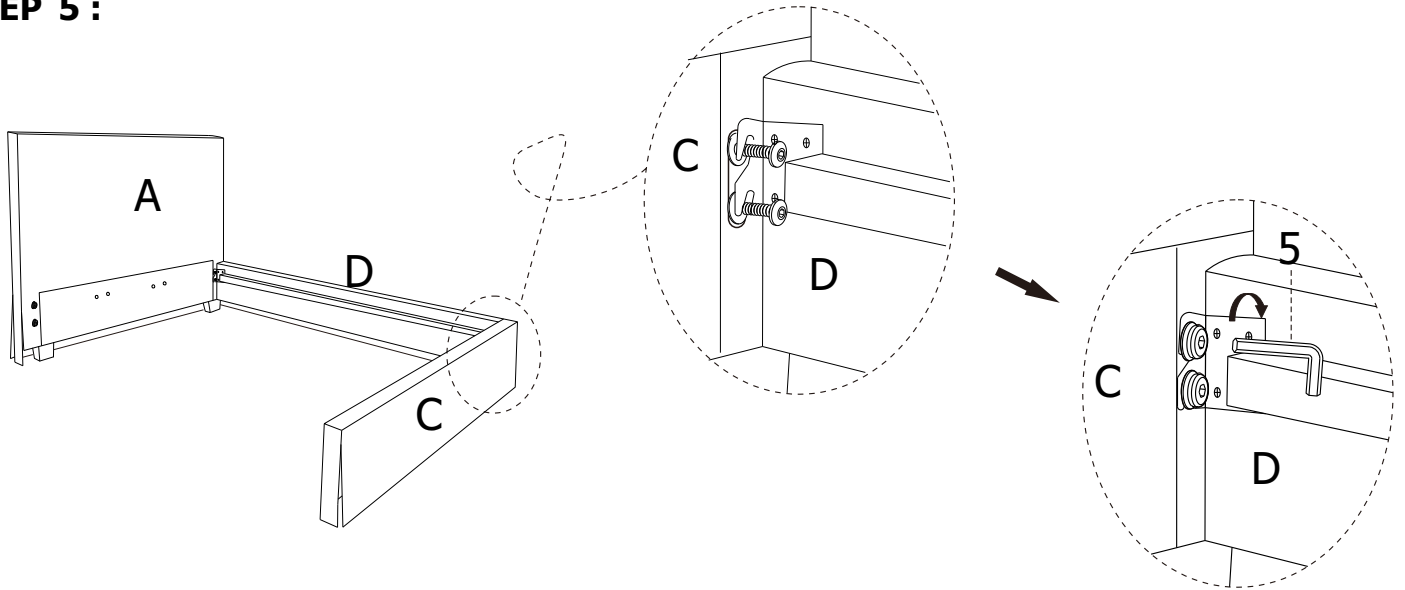




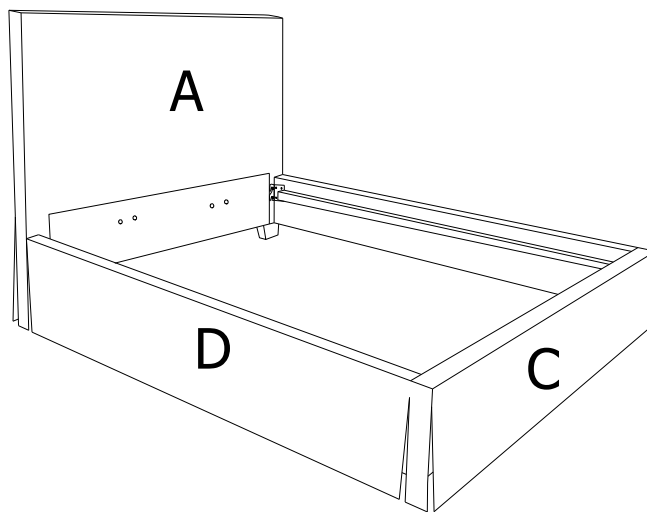
**STEP 4 :**



**STEP 5 :**



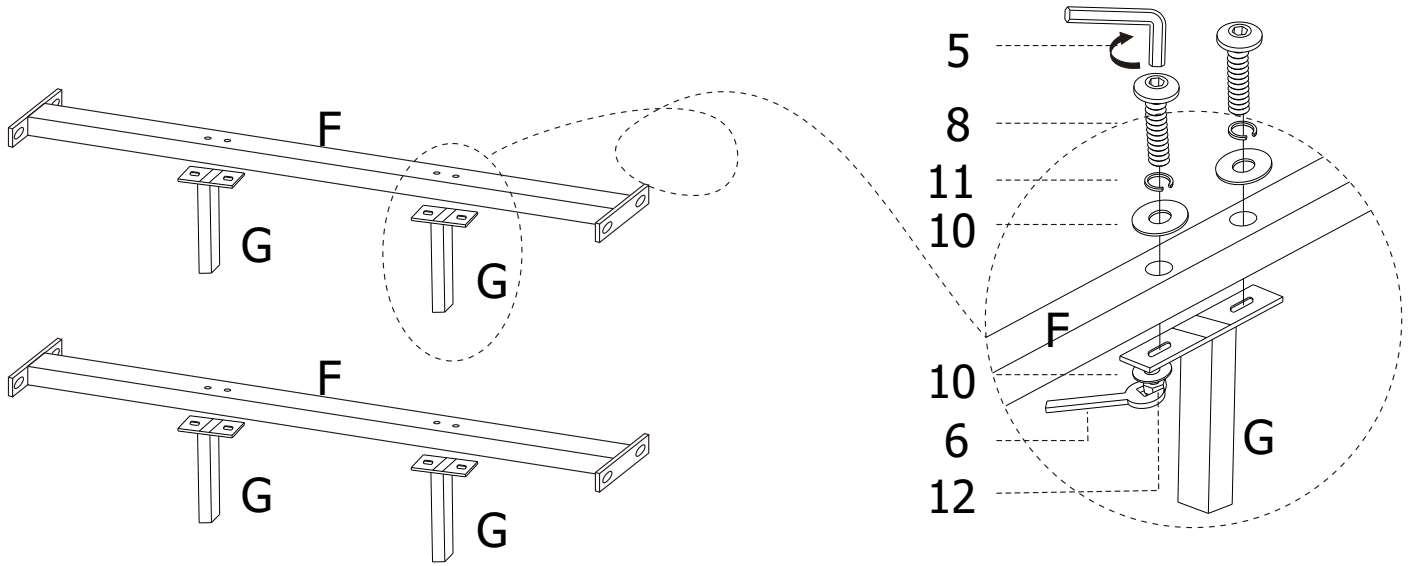
**STEP 6 :**



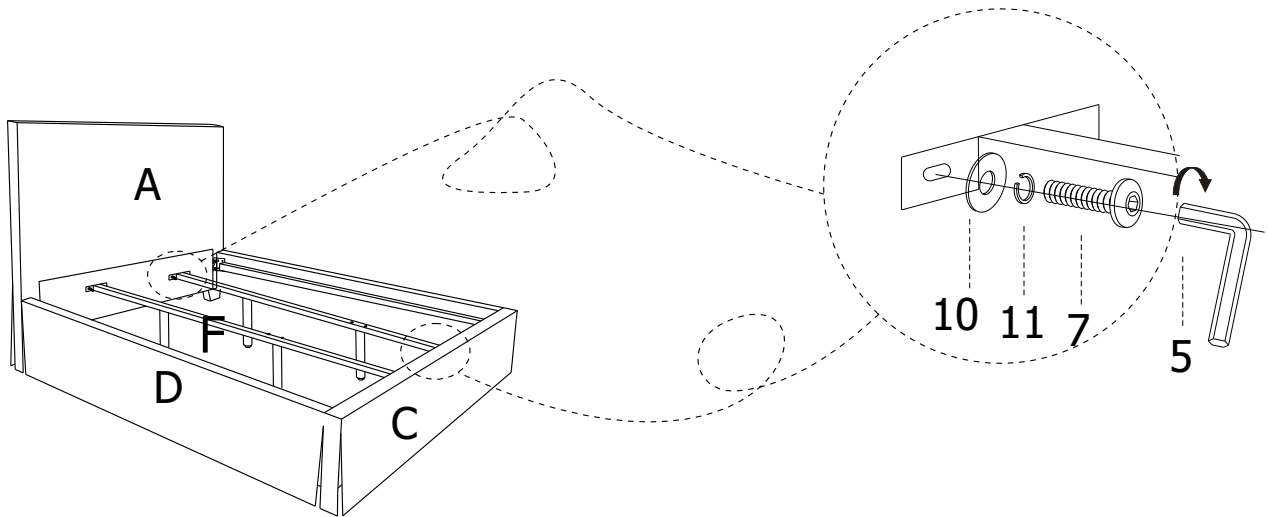
**STOP**

- IF USING BED WITH AN ADJUSTABLE MATTRESS BASE, SKIP STEPS 7,8,9,& 10 AND REFERENCE APPENDIX A: ADJUSTABLE MATTRESS BASE ASSEMBLY SUPPLEMENT.
- IF USING BED FRAME WITH STANDARD BOX SPRING OR FOUNDATION, CONTINUE TO STEP 7.

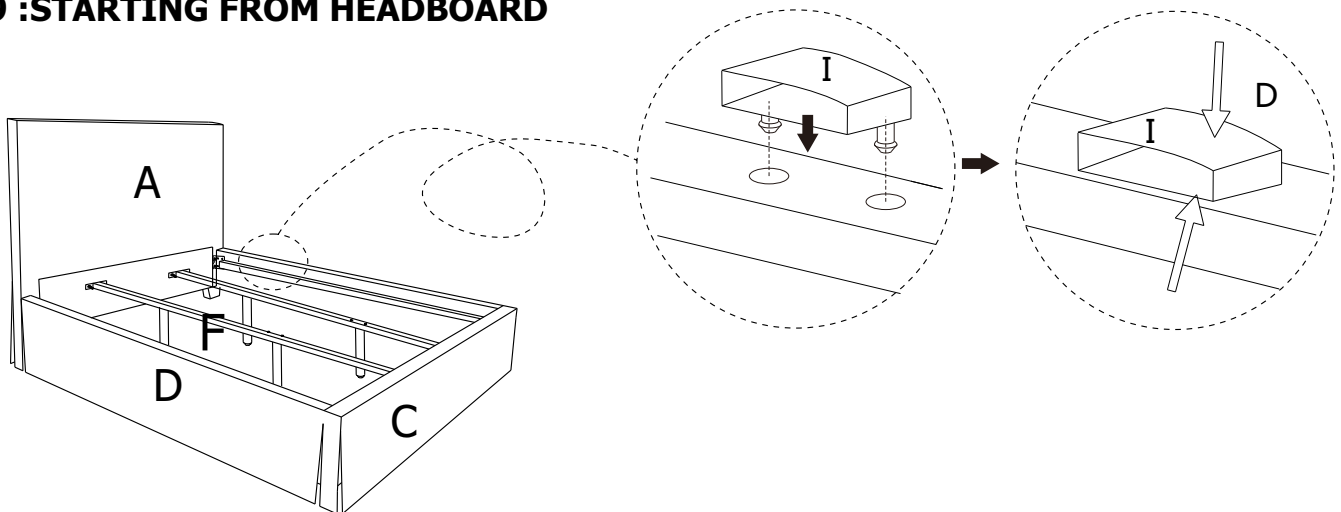
**STEP 7 :**



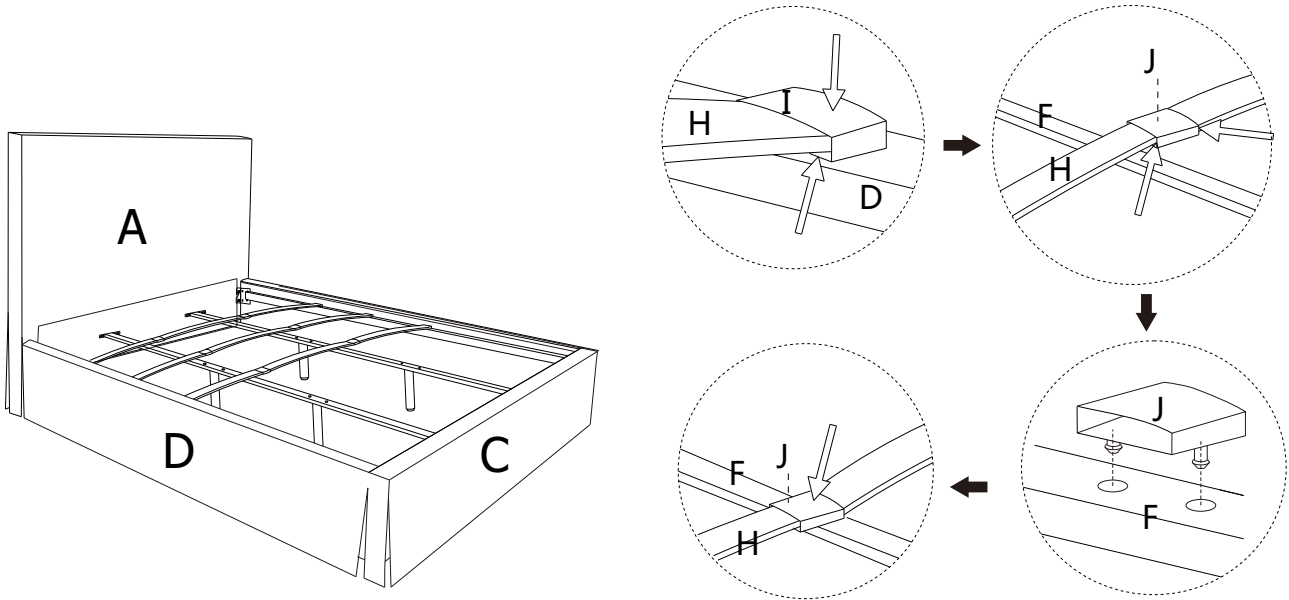
**STEP 8 :**



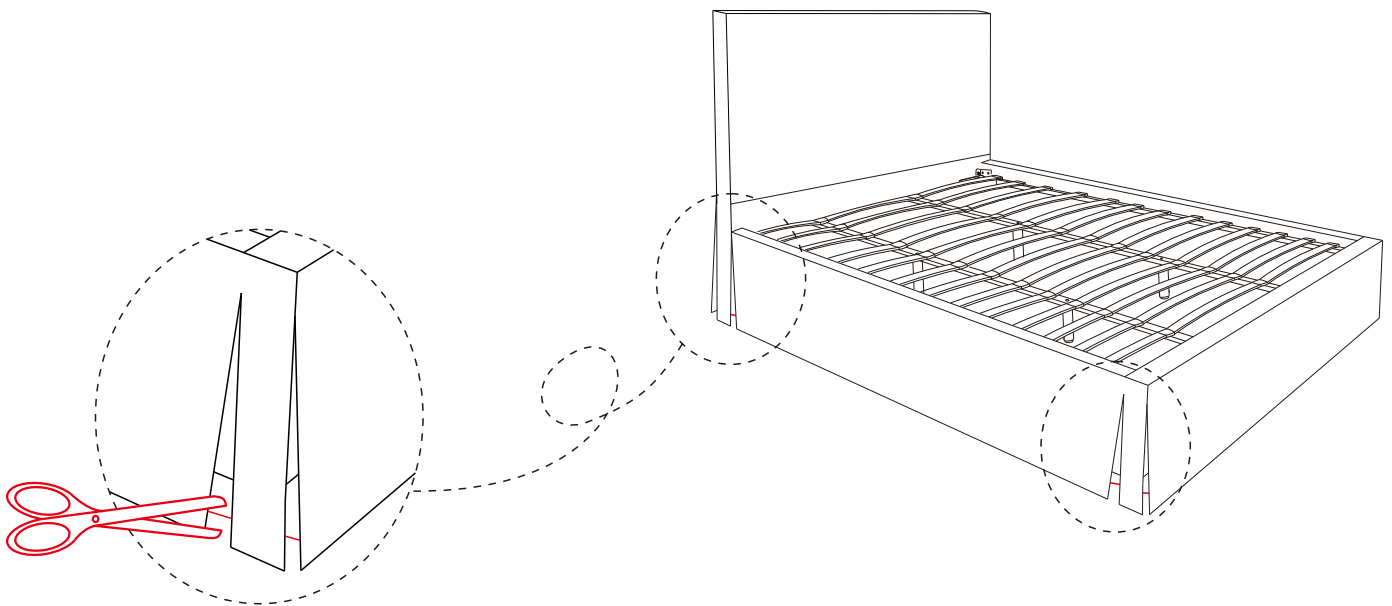
**STEP 9 :STARTING FROM HEADBOARD**



**STEP 10 :**



**STEP 11 :FOR FABRIC TO LAY CORRECTLY CUT THREADS SECURING PLEATS.**

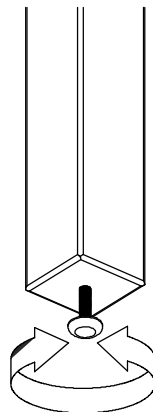


**INSTRUCTIONS FOR ADJUSTING LEVELERS :**

POSITION THE BED IN YOUR ROOM. LOCATE LEVELERS UNDER EACH SUPPORT LEG ( G ).

TURN COUNTER-CLOCKWISE TO EXTEND, CLOCKWISE TO RETRACT.

ADJUST LEVELERS UNTIL EACH LEG SUPPORT IS APPLYING EQUAL UPWARD PRESSURE ON THE CENTER SLAT.



**MAINTENANCE INSTRUCTIONS :**

- REMOVE BOX SPRING AND MATTRESS BEFORE MOVING YOUR BED.
- LIFT YOUR BED WHEN MOVING IT. DRAGGING CAN DAMAGE CENTER SUPPORT.
- READJUST LEVELERS AFTER MOVING YOUR BED.

# JULIETTE PLATFORM BED C.KING/E.KING ASSEMBLY INSTRUCTIONS



## APPENDIX A:ADJUSTABLE MATTRESS BASE ASSEMBLY SUPPLEMENT

AN ADJUSTABLE MATTRESS BASE IS A FREESTANDING MATTRESS SUPPORT THAT SITS WITHIN THE PERIMETER OF THE BED FRAME.

IF USING THIS BED FRAME WITH A STANDARD BOX SPRING OR FOUNDATION THESE INSTRUCTIONS DO NOT APPLY.

PRE-ASSEMBLED SIDE RAIL CLEATS OBSTRUCT ADJUSTABLE BASE INSTALLATION AND OPERATION. FOLLOW THESE INSTRUCTIONS TO REMOVE THEM.

### **WARNING!**

SIDE RAIL CLEATS ARE HELD IN PLACE USING PHILLIPS HEAD SCREWS. ONCE THEY ARE REMOVED THE USER WILL NOT BE ABLE TO SAFELY RE-INSTALL THE SIDE RAIL CLEATS FOR FUTURE USE WITH A STANDARD BOX SPRING OR FOUNDATION.

### THE FOLLOWING PARTS ARE NOT REQUIRED FOR ADJUSTABLE MATTRESS BASE INSTALLATION:

F. CENTER SLAT SUPPORT	2 PCS
G. CENTER SUPPORT LEG	4 PCS
H. SLAT	39 PCS
I. SIDE RAIL SLAT CLIP	26 PCS
J. CENTER SUPPORT SLAT CLIP	26 PCS

### STEP 1 :

USE A PHILLIPS HEAD SCREWDRIVER (NOT PROVIDED) TO UNSCREW THE PHILLIPS SCREWS AND REMOVE THE PRE-ASSEMBLED SIDE RAIL CLEATS.

