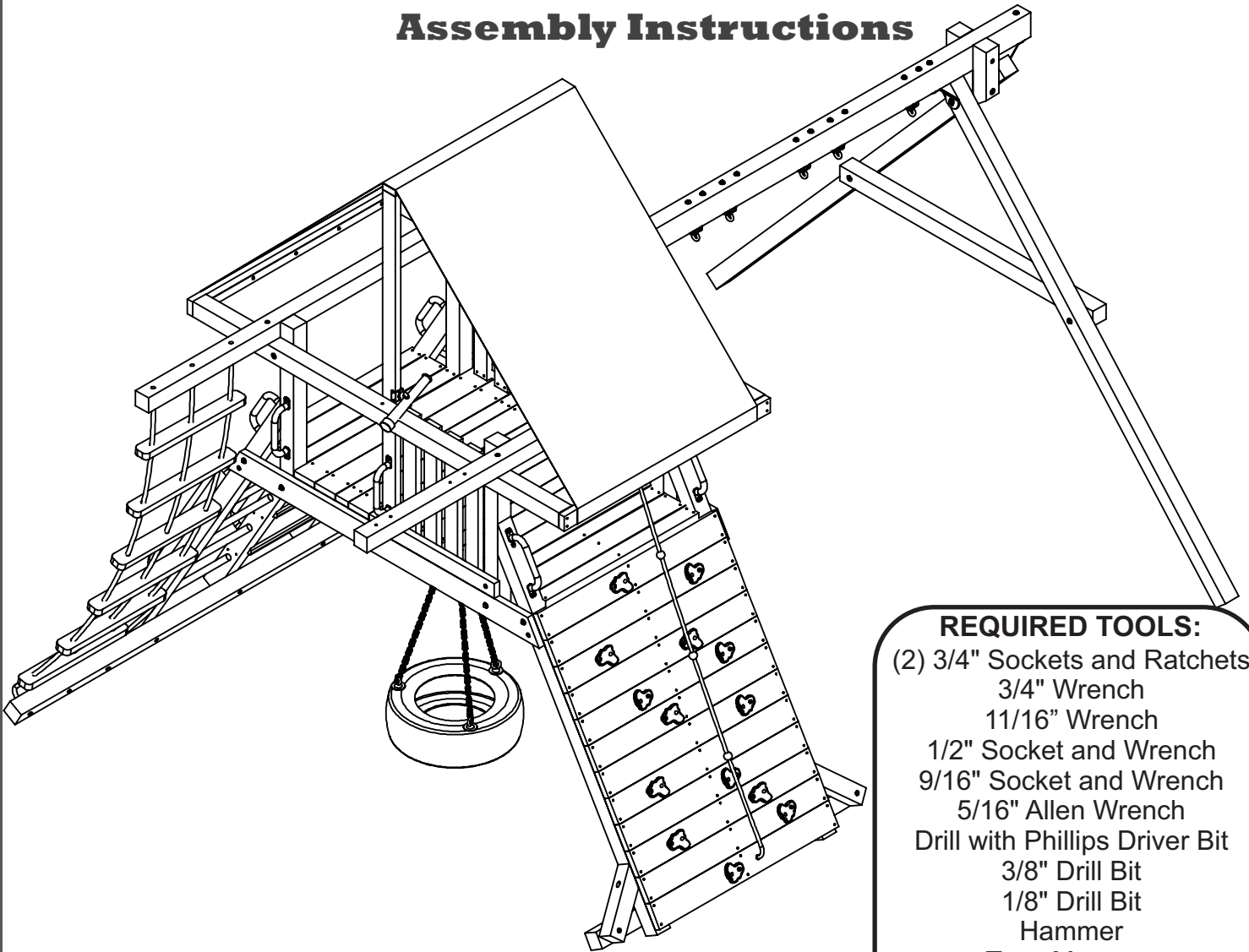


Child Life[®]

Playsets

Lion's Den Assembly Instructions



REQUIRED TOOLS:

- (2) 3/4" Sockets and Ratchets
- 3/4" Wrench
- 11/16" Wrench
- 1/2" Socket and Wrench
- 9/16" Socket and Wrench
- 5/16" Allen Wrench
- Drill with Phillips Driver Bit
- 3/8" Drill Bit
- 1/8" Drill Bit
- Hammer
- Tape Measure
- Utility Knife
- 2 ft level
- Carpenters Square
- 6' to 8' Step Ladder

RECOMMENDED TOOLS:

- Impact Driver
- (2) Saw Horses
- (4) Bar Clamps or C-Clamps

PG-MA-0022-02

I N T R O D U C T I O N

Welcome to our family of ready-to-build backyard play equipment. CHILDLIFE playsets are designed with ease of assembly in mind and we provide these step-by-step installation instructions.

After reading the information below, locate your structure site and carefully unpack parts. As you unpack your playset, keep the parts identification sheet handy and become familiar with each part before beginning assembly. **Remember that a little extra time spent familiarizing yourself with the parts and instructions before you begin will help you avoid mistakes and save you time later.**

Choosing A Location For Your Playset

When selecting your structure site, always keep the child's safety in mind. Here are some recommendations to help you create a safe play area.

A. The playset should be located on level ground. The stationary components such as ladders and slides are **REQUIRED** to be a minimum of six feet from any structure or obstruction such as a fence, garage, house, tree or overhanging branches, electrical wires or clotheslines. Any swinging equipment is also **REQUIRED** to be a minimum distance twice the height of the swing beam away from these obstructions or structures as well. We also recommend that you do not install your playset near a lake, river, swimming pool or other water hazard.

B. The U.S. Consumer Product Safety Commission (CPSC) recommends that you install and maintain a resilient surface under your play equipment. The CPSC's Consumer Information Sheet for Playground Surfacing Materials at the end of this manual. A resilient surface, should be installed after the equipment has been completely assembled according to these instructions. The equipment must rest on solid ground. Please note that this product has a maximum fall height of 8'.

Do not install home playground equipment indoors, or over concrete, asphalt, packed earth, grass, carpet or any other hard surface. A fall onto a hard surface can result in serious or fatal injury.

Responsible on-site adult supervision is one of the most important contributions to children's safety that you can make. CHILDLIFE strongly recommends on-site adult supervision of children of all ages. Safe swinging and climbing skills need to be taught to children, just like any other physical activity.

The weight limit for any single user on CHILDLIFE play equipment is 200 pounds. Limit the number of users to one on each swing. The tower portion of the play system will accommodate four (4) additional users.

When the time comes to disassemble and dispose of the play equipment, do so in such a way that no hazards will exist at the time the equipment is discarded.

Maintaining Your Playset

Here are some maintenance tips required to insure safe enjoyment of your equipment for years to come.

A. At the beginning of each usage season and every two weeks during, check: nuts and bolts and tighten as needed, swing seats, chains, ladders, slides, rope and wood components for signs of deterioration and replace if necessary.

B. On a yearly basis, we recommend that you coat your playset with a sealant or preservative. You may also want to spot sand any areas prior to sealing. Be sure that the sealant you select is non-toxic and child safe.

C. Do not use line trimmers or "weed eaters" around your play equipment. The line will remove both stain and wood from uprights and base pieces. Any damage resulting from this type of abuse is not covered under our limited warranty.

D. Remove plastic swing seats and take indoors or do not use when the temperature drops below 0° F.

If you have any questions about your playset, or are in need of replacement parts, call 1-800-GO-SWING.
Please keep these instructions for future reference.

SAFETY INSTRUCTIONS

Teach Children:

- Not to walk close to, in front of, behind, or between moving items.
- Not to twist the swing ropes, or loop them over the top support bar, since this may reduce the strength of the rope.
- Not to swing empty swing seats.
- Not to swing sideways into the path of adjacent swings.
- Not to use the equipment in a manner other than that for which it is intended.
- Not to get off the equipment while it is in motion.
- Not to jump off the tower.
- Not to climb or swing when they are wet or when the equipment is wet.
- To sit in the center of the swings with their full weight on the seats.
- To hold on to swings and climbers with both hands.
- Not to stand in the swing seats.
- Not to ride or leave bicycles or other toys in the swing area.
- Not to use hammers, saws, nails, or wrenches on the equipment.
- Not to swing so high that chains become slack, or above the height of the swing support.
- Not to jump on a slide.
- Not to climb on top of the swing support.
- Not to attach to the playground equipment any item that is not specifically designed for use with the equipment, such as (but not limited to) jump ropes, clotheslines, pet leashes, cables, and chains. These may become strangulation hazards.
- To slide feet first, never head first.
- To watch for other children while swinging or playing near the equipment.

In Addition, Adults Must:

- Limit climbing and swinging heights to each child's ability.
- Verify that suspended climbing ropes are secured at both ends.
- Verify that suspended climbing ropes cannot be looped back on themselves.
- Dress children appropriately for play. Use well-fitting shoes that do not have slippery soles.
- Avoid ponchos, scarves, hoods, loose-fitting clothing, neckties, and any clothing with a drawstring. Serious injury could result should any part of the children's clothing become entangled in the equipment.
- Do not allow children to play wearing helmets.
- Remember that children are inventive. When they develop games that are unsafe, be alert and change the rules.

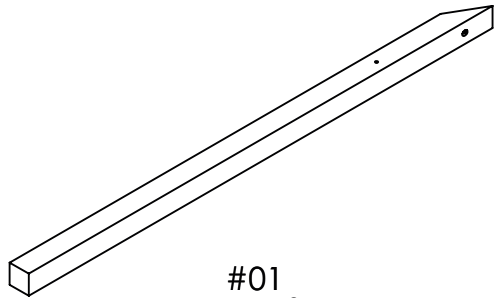
PARTS LIST

ITEM NO.	PART NUMBER	DESCRIPTION	QTY.
1	PG-44-0020	82" LADDER SIDE	2
3	PG-44-0026	82" LADDER SIDE (RIGHT)	1
4	PG-44-0014	84" LADDER SIDE LEFT	1
5	PG-44-0021	94" HORIZONTAL ROOF SUPPORT	2
6	PG-24-0018	27 1/2" CORNER POST	12
7	PG-24-0025	74" CENTER ROOF SUPPORT	2
8	PG-24-0022	46 1/4" TOP HORIZONTAL ROOF SUPPORT	1
9	PG-24-0023	52 7/8" SIDE HORIZONTAL ROOF SUPPORT	2
10	PG-44-0027	66 1/4" BASE	1
11	PG-44-0022	90" BASE LADDER	1
12	PG-44-0015R	14" 45 DEGREE ANGLE BRACE RIGHT	2
13	PG-44-0015L	14" 45 DEGREE ANGLE BRACE LEFT	2
14	PG-44-0023	83 3/8" ROPE LADDER ARM	1
15	PG-AC-0012	LADDER ROPE	3
16	PG-24-0013	24" ROPE LADDER RUNG	6
17	PG-44-0019	38" CORNER POST	4
18	PG-44-0025	64" LADDER SIDE CENTER	1
19	PG-ST-0003	21 3/8" LADDER RUNG	5
20	PG-26-0005	73 7/8" MAIN BEAM	4
21	PG-44-0017	86 7/8" ACCESSORY ARM	1
22	PG-26-0008	46" LONG 2"x6" DECK BOARD	6
23	PG-24-0015	46" LONG 2"x4" DECK BOARD	2
24	PG-24-0014	39 3/8" SHORT 2"x4" DECK BOARD	4
25	PG-26-0007	39 3/8" SHORT 2"x6" DECK BOARD	2
26	PG-24-0021	56 3/4" DECK FRAME	1
27	PG-24-0017	70" DECK BACKBOARD	1
28	PG-24-0024	30" DECK FRAME HALF	1
29	PG-24-0016	62 1/2" CLIMBING WALL BACKBOARD	1
30	PG-AC-0002	SMALL HANDLE	6
31	PG-AC-0015	LONG HANDLE	3
32	PG-AC-0005	SHIPS WHEEL	1
33	PG-AC-0004	TELESCOPE	1
34	PG-HW-S002	#8 X 1.25" ROUND HEAD SCREW	18
35	PG-AC-0006	CLIMBING ROPE	1
36	PG-HW-M010	LADDER BRACKET	2
37	PG-26-0004	20" STEP	4
38	PG-AC-0013	VINYL ROOF	1
39	PG-HW-S004	#8X2" FLAT HEAD WOOD SCREW	198
40	PG-HW-W003	5/16" FLAT WASHER	48
41	PG-HW-L005	5/16 x 4" Hex Lag Screw	8
42	PG-HW-L006	5/16" x 5" LAG SCREW	21
43	PG-HW-S010	#8X4" FLAT HEAD WOOD SCREW	16
44	PG-HW-L004	5/16" x 3" LAG SCREW	5
45	PG-HW-W004	3/8" FLAT WASHER	74
46	PG-HW-B006	3/8"-16 X 6" HEX BOLT	12

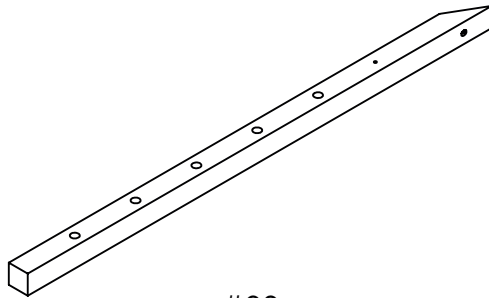
PARTS LIST

ITEM NO.	PART NUMBER	DESCRIPTION	QTY.
47	PG-HW-N001	3/8" NYLON LOCKNUT	36
48	PG-HW-N003	3/8"-16 ACORN NUT	15
50	PG-HW-B001	3/8"-16 x 6.5" HEX BOLT	20
51	PG-HW-S007	#8 X 1 Round Head Screw	8
52	PG-HW-L003	5/16" X 2.5" LAG SCREW	12
53	PG-HW-W002	1/4" FLAT WASHER	1
54	PG-26-0019	LONG DECK BOARD WITH HOLE	2
55	PG-HW-W001	#10 FLAT WASHER	42
56	PG-HW-S001	#10 X 1" ROUND HEAD SCREW	28
57	PG-26-0011	46" CLIMBING WALL BOARD CENTER	4
58	PG-26-013	46" CLIMBING WALL BOARD SINGLE	5
59	PG-26-0009	46" CLIMBING WALL BOARD DOUBLE	2
60	PG-26-0010	46" CLIMBING WALL BOARD ROPE	1
61	PG-AC-0003	CLIMBING ROCK	14
62	PG-HW-N002	3/8"-16 X 1/2" T-NUT	14
63	PG-HW-B010	3/8- 16 x 2" Socket Head Screw	14
64	PG-HW-S006	#10 X 2" Self Tapping Screw	10
65	PG-46-0004	136" 3 POSITION HEAD BEAM	1
65	PG-46-0005	104" 2 POSITION HEAD BEAM	1
66	PG-HW-M003	ANGLE BRACKET	2
67	PG-44-0006	112" A-FRAME LEG	2
68	PG-44-0005	65" A-FRAME CROSSBRACE	1
69	PG-44-0008	U-JOINT CENTER SPACE BLOCK	1
70	PG-44-0007	U-JOINT OUTSIDE	2
71	PG-HW-M002	DUCTILE SWING HANGER	8
72	PG-HW-M004	TRIANGLE SWING BEAM PLATE	1
73	PG-HW-N005	1/2"-13 ACORN NUT	2
74	PG-HW-W005	1/2" FLAT WASHER	6
75	PG-HW-B004	1/2"-13 x 10" HEX BOLT	1
76	PG-HW-N004	1/2" NYLON LOCKNUT	2
77	PG-HW-B005	1/2"-13 x 11.5" HEX BOLT	1
78	PG-HW-B003	3/8"-16 x 9" HEX BOLT	1
79	PG-HW-B007	5/16"-16 X 2.5" CARRIAGE BOLT	2
80	PG-HW-M009	CHAINS / EYE BOLTS / SWIVEL	1
81	PG-HW-N006	5/16" STANDARD NUT	2
82	PG-HW-W006	5/16" LOCK WASHER	2
83	PG-HW-N007	5/16"-16 ACORN NUT	2
84	PG-HW-S009	#8 X 2.5" WOOD SCREW	12
85	PG-HW-W007	3/8" STANDARD WASHER	1
86	PG-AC-0017	TIRE	1
87	PG-HW-B009	3/8" -16 X 4.5" HEX BOLT	4
88	PG-AC-0010	TRAPEZE SET	1
89	PG-AC-0008	BELT SWING-GREEN	1
89	PG-AC-0009	BELT SWING-YELLOW	2
90	PG-AC-0011	CHILDLIFE NAME PLATE	1
91	PG-HW-M008	SPRING CLIP	9
92	PG-HW-M014	4 TIRE SWING SWIVEL	1

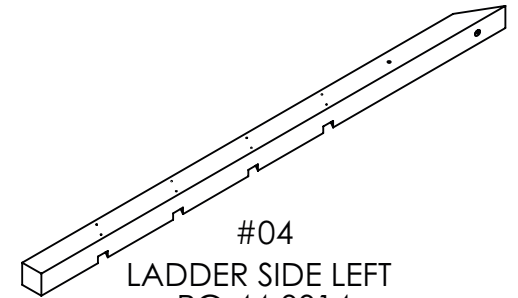
STANDARD PARTS



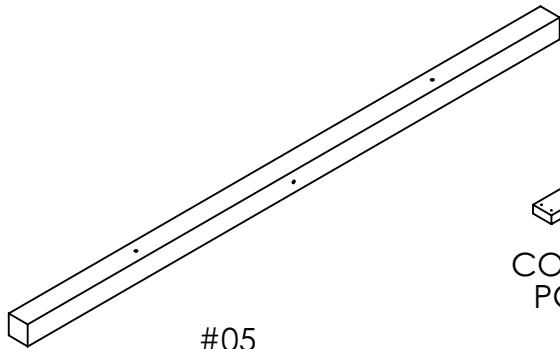
#01
LADDER SIDE
PG-44-0020
(2)



#03
LADDER SIDE RIGHT
PG-44-0026
(1)



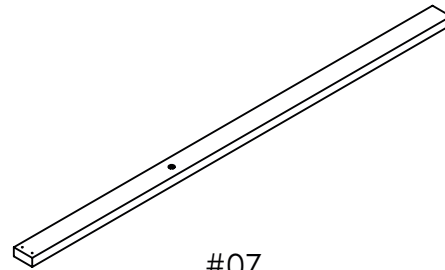
#04
LADDER SIDE LEFT
PG-44-0014
(1)



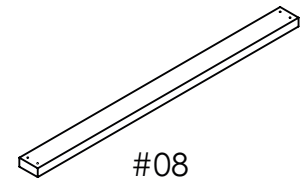
#05
HORIZONTAL ROOF SUPPORT
PG-44-0021
(2)



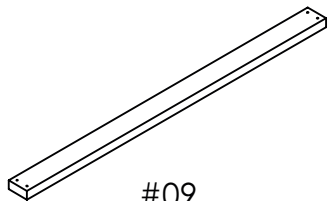
#06
CORNER POST
PG-24-0018
(12)



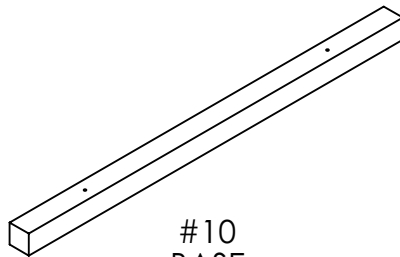
#07
CENTER ROOF SUPPORT
PG-24-0025
(2)



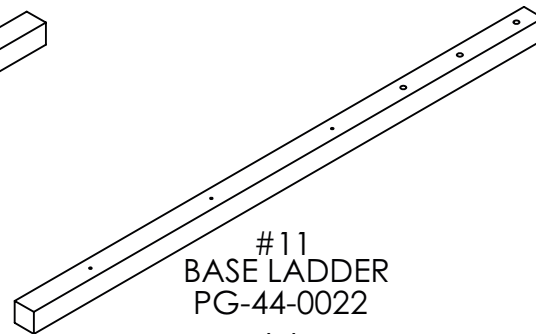
#08
TOP HORIZONTAL ROOF SUPPORT
PG-24-0022
(1)



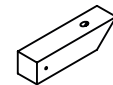
#09
SIDE HORIZONTAL ROOF SUPPORT
PG-24-0023
(2)



#10
BASE
PG-44-0027
(1)

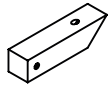


#11
BASE LADDER
PG-44-0022
(1)

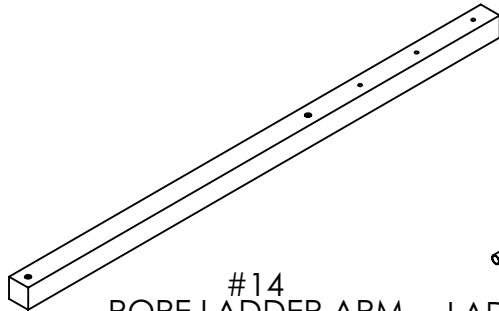


#12
45 DEGREE ANGLE BRACE RIGHT
PG-44-0015R
(2)

STANDARD PARTS



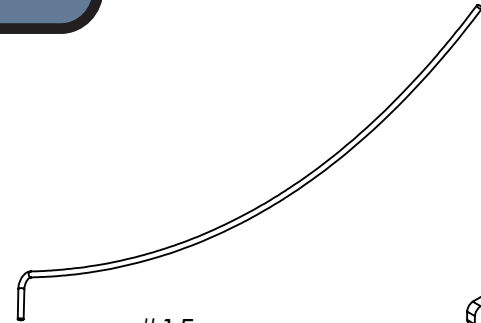
#13
45 DEGREE ANGLE BRACE LEFT
PG-44-0015L
(2)



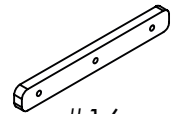
#14
ROPE LADDER ARM
PG-44-0023
(1)



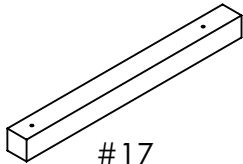
#19
LADDER RUNG
PG-ST-0003
(5)



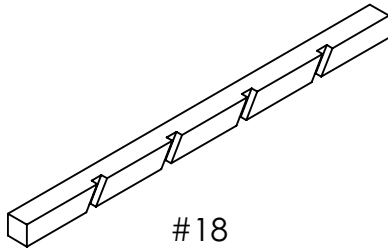
#15
LADDER ROPE
PG-AC-0012
(3)



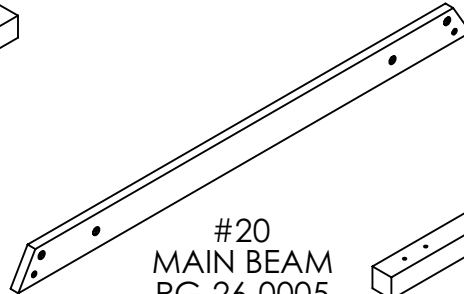
#16
ROPE LADDER RUNG
PG-24-0013
(6)



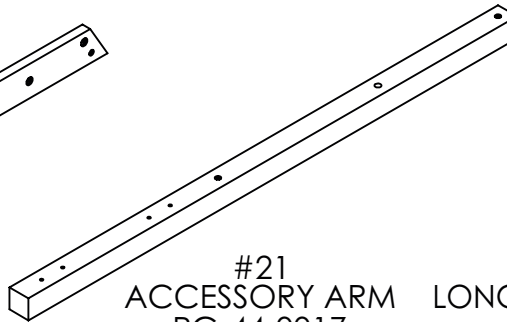
#17
CORNER POST
PG-44-0019
(4)



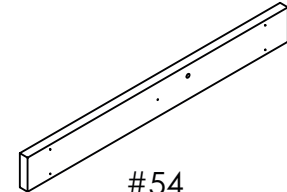
#18
LADDER SIDE CENTER
PG-44-0025
(1)



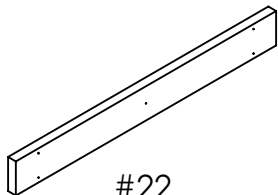
#20
MAIN BEAM
PG-26-0005
(4)



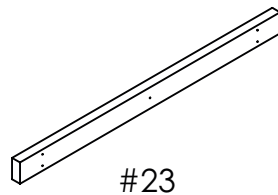
#21
ACCESSORY ARM
PG-44-0017
(1)



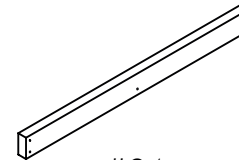
#54
LONG 4" X 6" DECK BOARD W/HOLE
PG-26-0019
(2)



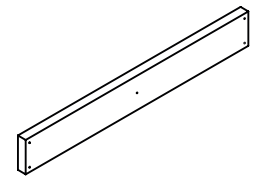
#22
LONG 2" X 6" DECK BOARD
PG-26-0008
(6)



#23
LONG 2"x4" DECK BOARD
PG-24-0015
(2)

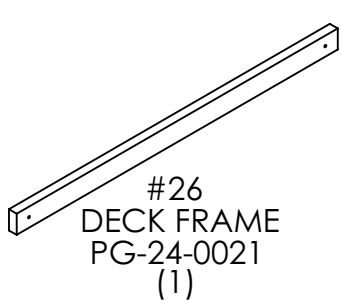


#24
SHORT 2"x4" DECK BOARD
PG-24-0014
(4)

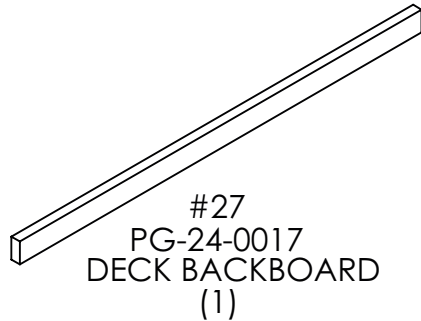


#25
SHORT 2"x6" DECK BOARD
PG-26-0007
(2)

STANDARD PARTS



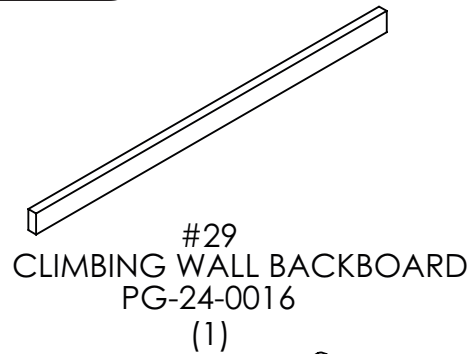
#26
DECK FRAME
PG-24-0021
(1)



#27
PG-24-0017
DECK BACKBOARD
(1)



#28
DECK FRAME HALF
PG-24-0024
(1)



#29
CLIMBING WALL BACKBOARD
PG-24-0016
(1)



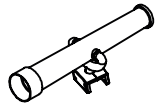
#30
SMALL HANDLE
PG-AC-0002
(6)



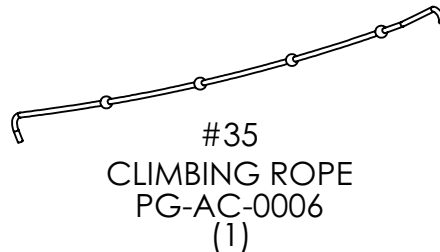
#31
LONG HANDLE
PG-AC-0015
(3)



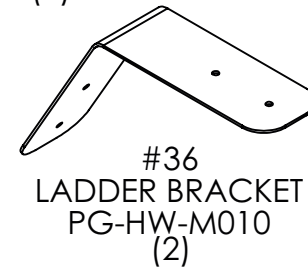
#32
SHIPS WHEEL
PG-AC-0005
(1)



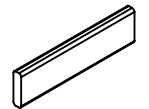
#33
TELESCOPE
PG-AC-0004
(1)



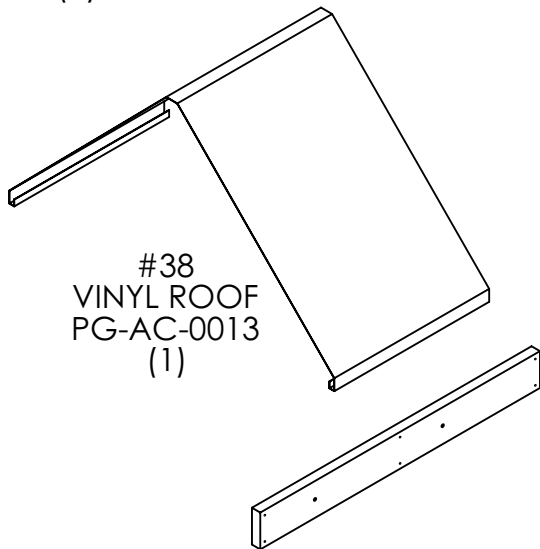
#35
CLIMBING ROPE
PG-AC-0006
(1)



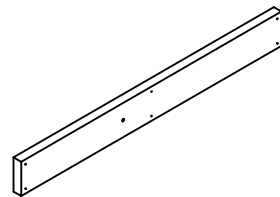
#36
LADDER BRACKET
PG-HW-M010
(2)



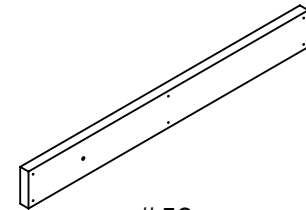
#37
STEP
PG-26-0004
(4)



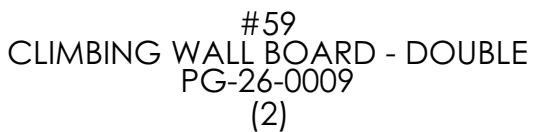
#38
VINYL ROOF
PG-AC-0013
(1)



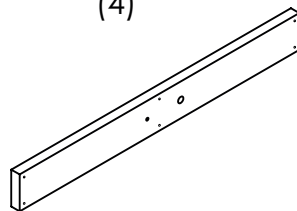
#57
CLIMBING WALL BOARD CENTER
PG-26-0011
(4)



#58
CLIMBING WALL BOARD - SINGLE
PG-26-013
(5)



#59
CLIMBING WALL BOARD - DOUBLE
PG-26-0009
(2)



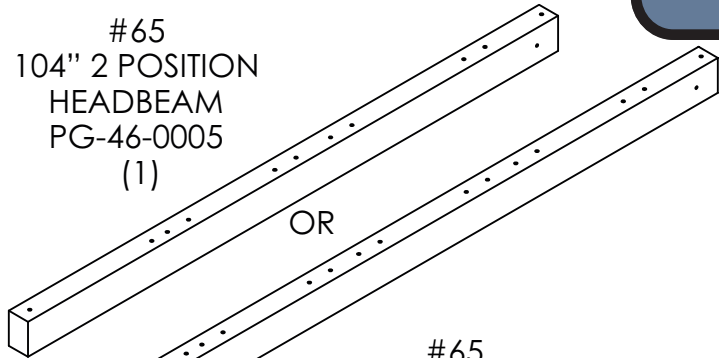
#60
CLIMBING WALL BOARD - ROPE
PG-26-0010
(1)



#61
CLIMBING ROCK
PG-AC-0003
(14)

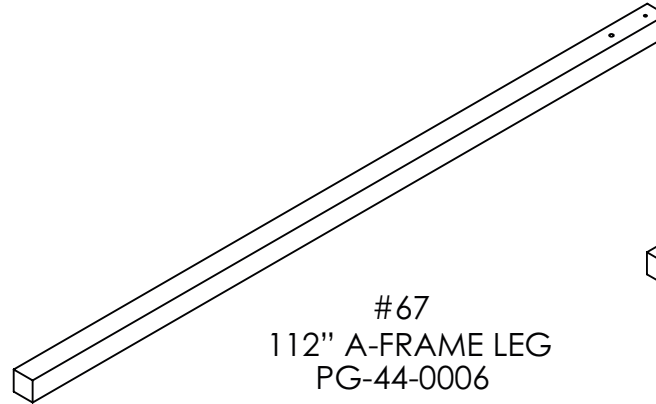
STANDARD PARTS

#65
104" 2 POSITION
HEADBEAM
PG-46-0005
(1)

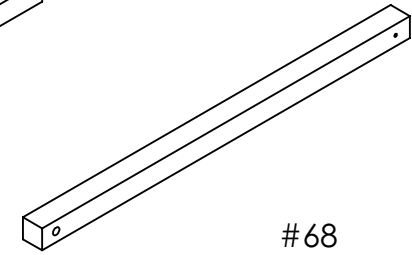


OR

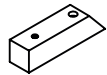
#65
136" 3 POSITION HEAD BEAM
PG-46-0004
(1)



#67
112" A-FRAME LEG
PG-44-0006
(2)



#68
65" A-FRAME CROSSBRACE
PG-44-0005
(1)



#70
U-JOINT OUTSIDE
PG-44-0007
(2)



#69
U-JOINT CENTER SPACE BLOCK
PG-44-0008
(1)



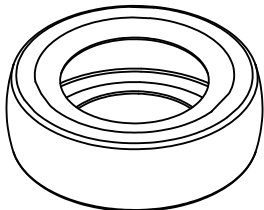
#66
ANGLE BRACKET
PG-HW-M003
(2)



#72
TRIANGLE SWING BEAM PLATE
PG-HW-M004
(1)



#71
DUCTILE SWING HANGER
PG-HW-M002
(8)



#86
TIRE
PG-AC-0017
(1)



#80
CHAINS / EYE BOLTS
PG-HW-M009
(1)



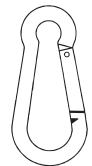
#88
TRAPEZE SET
PG-AC-0010
(1)



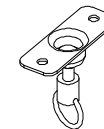
#89
Belt swing green w/chain
PG-AC-0008 (1)
Belt swing Yellow w/chain
PG-AC-0009
(2)



#90
NAME PLATE
PG-AC-0011
(1)



#91
SPRING CLIP
PG-HW-M008
(9)

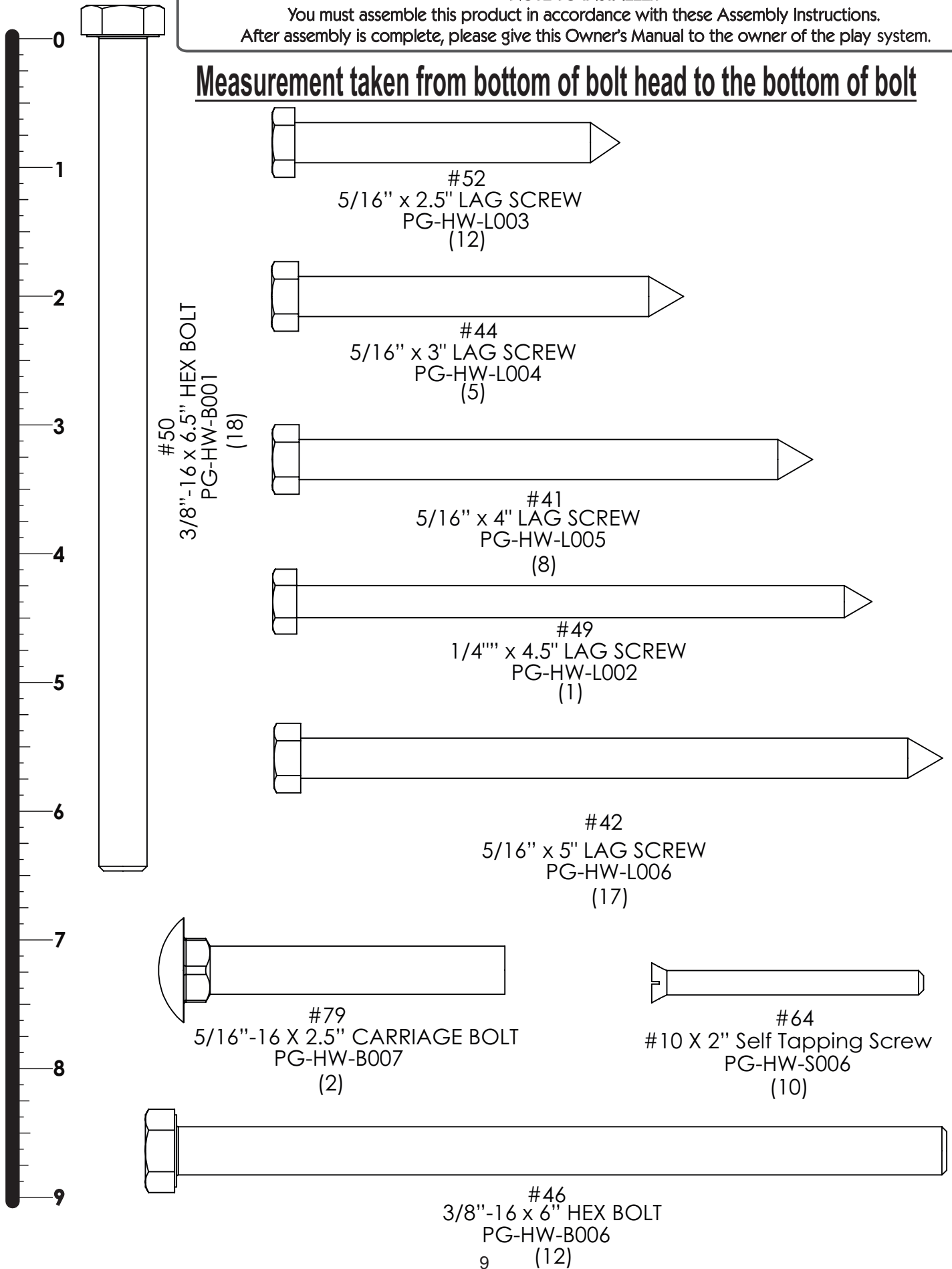


#92
TIRE SWING SWIVEL
PG-HW-M014
(1)

NOTE TO INSTALLER

You must assemble this product in accordance with these Assembly Instructions.
After assembly is complete, please give this Owner's Manual to the owner of the play system.

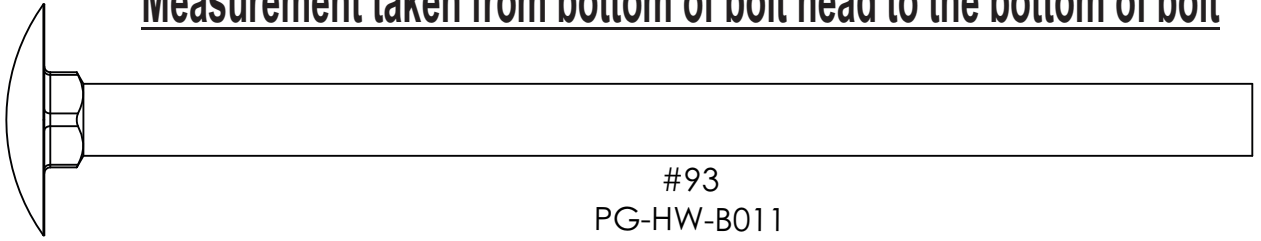
Measurement taken from bottom of bolt head to the bottom of bolt



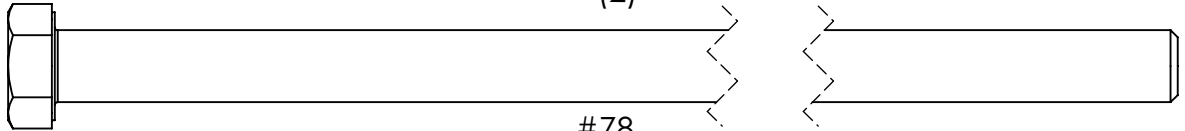
NOTE TO INSTALLER

You must assemble this product in accordance with these Assembly Instructions.
After assembly is complete, please give this Owner's Manual to the owner of the play system.

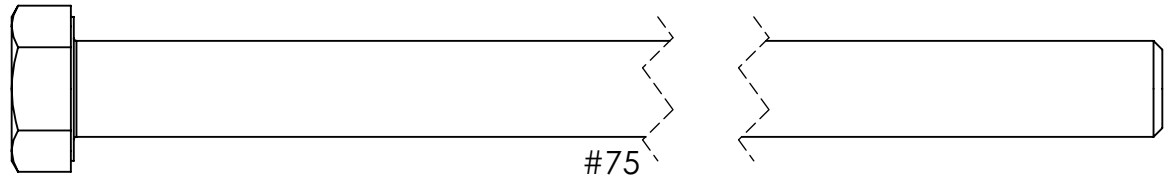
Measurement taken from bottom of bolt head to the bottom of bolt



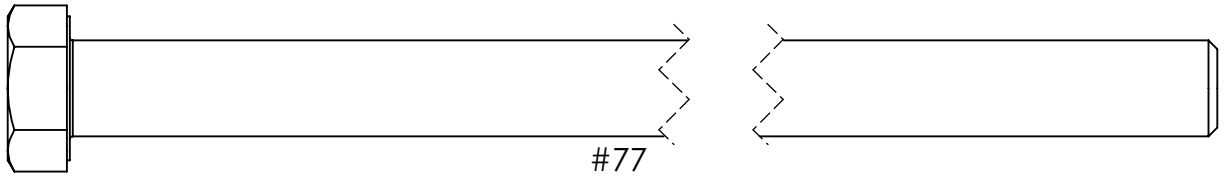
#93
PG-HW-B011
3/8 X 6.5" Carriage Bolt
(2)



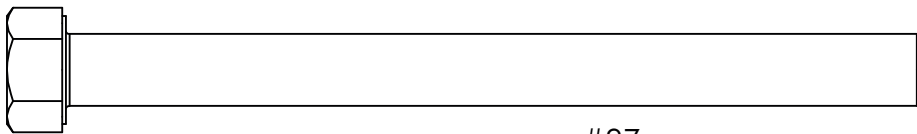
#78
PG-HW-B003
3/8"-16 X 9" HEX BOLT
(1)



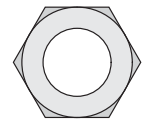
#75
PG-HW-B004
1/2"-13 X 10" HEX BOLT
(1)



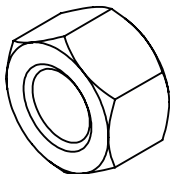
#77
PG-HW-B005
1/2"-13 X 11.5" HEX BOLT
(1)



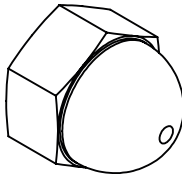
#87
PG-HW-B009
3/8"-16 X 4.5" HEX BOLT
(4)



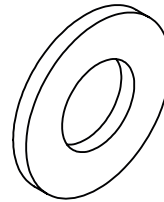
#95
PG-HW-N008
3/8" STANDARD NUT
(2)



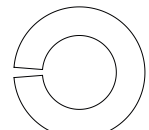
#76
PG-HW-N004
1/2" NYLON LOCK NUT
(2)



#73
PG-HW-N005
1/2"-13 ACORN NUT
(2)



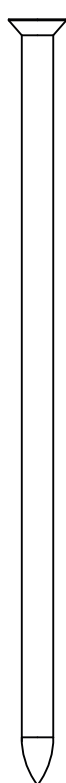
#74
PG-HW-W005
1/2" FLAT WASHER
(6)



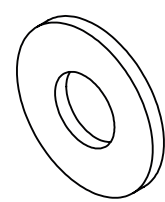
#94
PG-HW-W007
3/8" LOCK WASHER
(2)

NOTE TO INSTALLER

You must assemble this product in accordance with these Assembly Instructions.
After assembly is complete, please give this Owner's Manual to the owner of the play system.



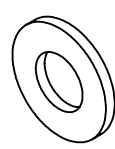
#43
#8X4" PH FLAT HD WDSCR
PG-HW-S010
(16)



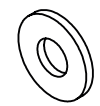
#45
3/8" Flat Washer
PG-HW-W004
(72)



#53
1/4" Flat Washer
PG-HW-W002
(18)



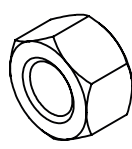
#40
5/16" Flat Washer
PG-HW-W003
(48)



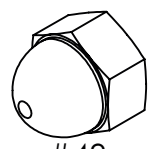
#55
#10 Flat Washer
PG-HW-W001
(24)



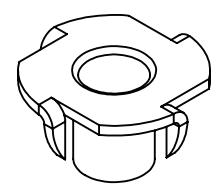
#82
5/16" LOCK WASHER
PG-HW-W006
(2)



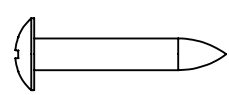
#47
3/8" Nylon Locknut
PG-HW-N001
(36)



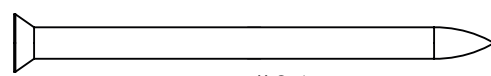
#48
3/8"-16 Acorn Nut
PG-HW-N003
(15)



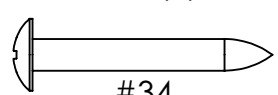
#62
3/8"-16 X 1/2" T-NUT
PG-HW-N002
(14)



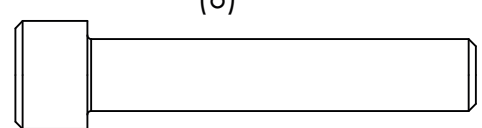
#51
#8 X 1" ROUND HEAD SCREW
PG-HW-S007
(8)



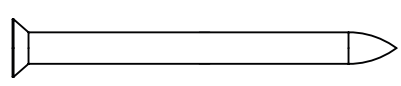
#84
#8X2.5" PH FLAT HD WDSCR
PG-HW-S009
(6)



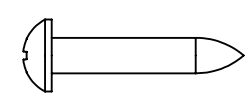
#34
#8 X 1.25" Round Head Screw
PG-HW-S002
(18)



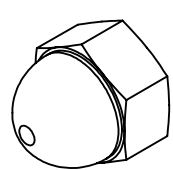
#63
3/8"- 16 x 2" Socket Head Screw
PG-HW-B010
(14)



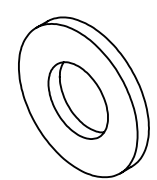
#39
#8X2" PH FLAT HD WDSCR
PG-HW-S004
(198)



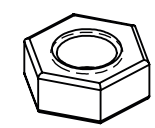
#56
#10 X 1" ROUND HEAD SCREW
PG-HW-S001
(28)



#83
5/16"-16 Acorn Nut
PG-HW-N007
(2)



#85
3/8" STANDARD WASHER
PG-HW-W007
(1)



#81
5/16" STANDARD NUT
PG-HW-N006
(2)

LADDER ASSEMBLY

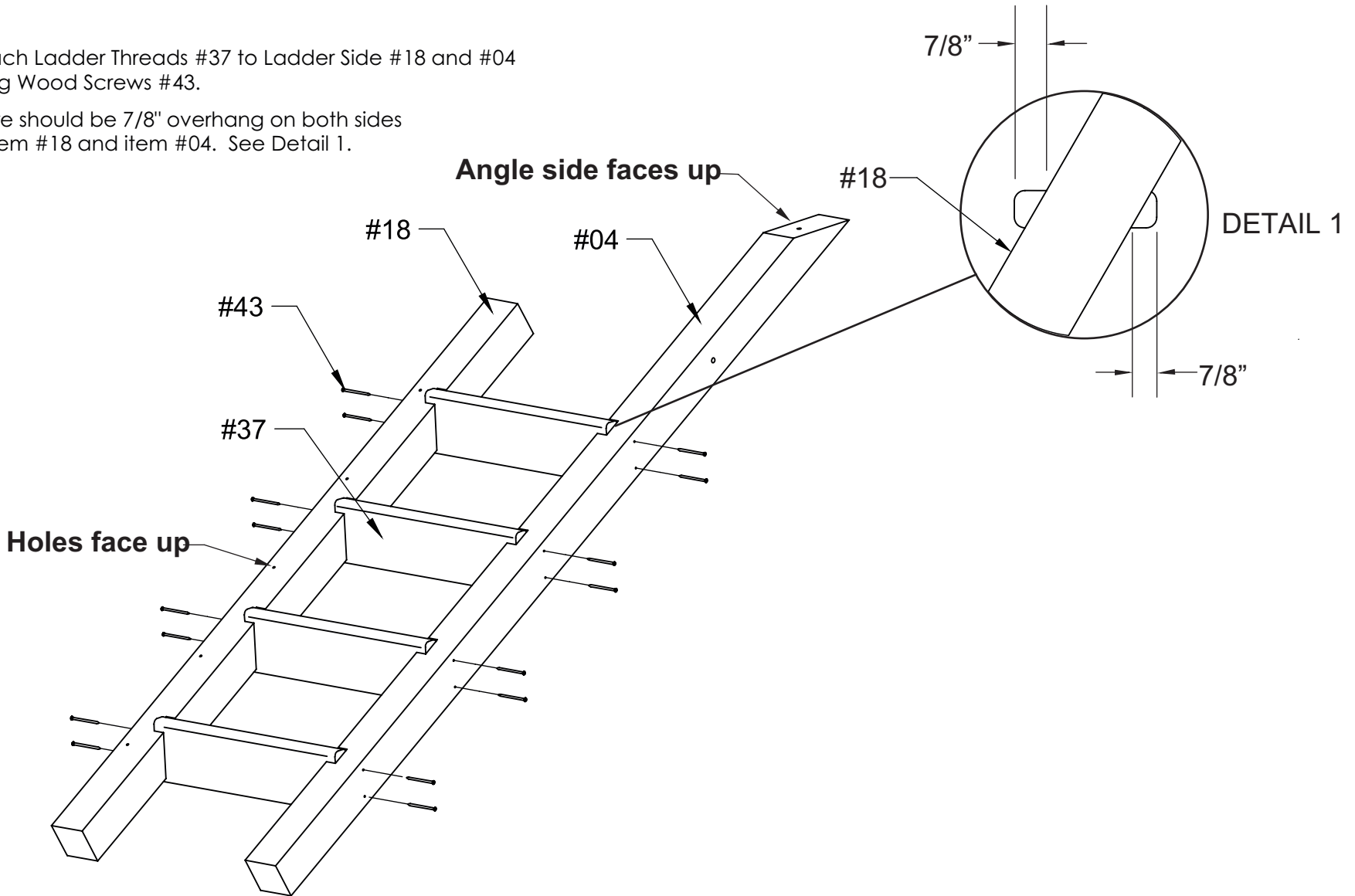
PARTS NEEDED

- #04 84" LADDER SIDE LEFT (1)
- #18 64" LADDER SIDE CENTER (1)
- #37 WOOD LADDER THREAD (4)

HARDWARE NEEDED

- #43 #8x4" FLAT HEAD WOOD SCREW (16)

1. Attach Ladder Threads #37 to Ladder Side #18 and #04 Using Wood Screws #43.
2. There should be 7/8" overhang on both sides of item #18 and item #04. See Detail 1.



PARTS NEEDED

#03	84" LADDER SIDE LEFT	(1)
#12	45 DEGREE ANGLE BRACE (RIGHT)	(1)
#13	45 DEGREE ANGLE BRACE (LEFT)	(1)
#19	21 3/8" LADDER RUNG	(5)

HARDWARE NEEDED

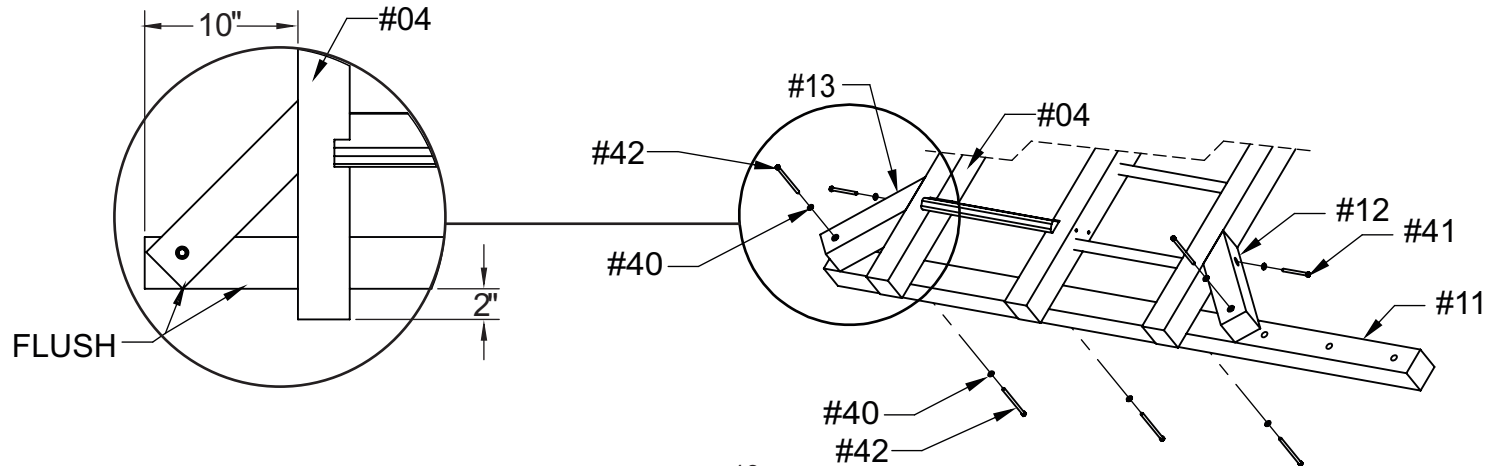
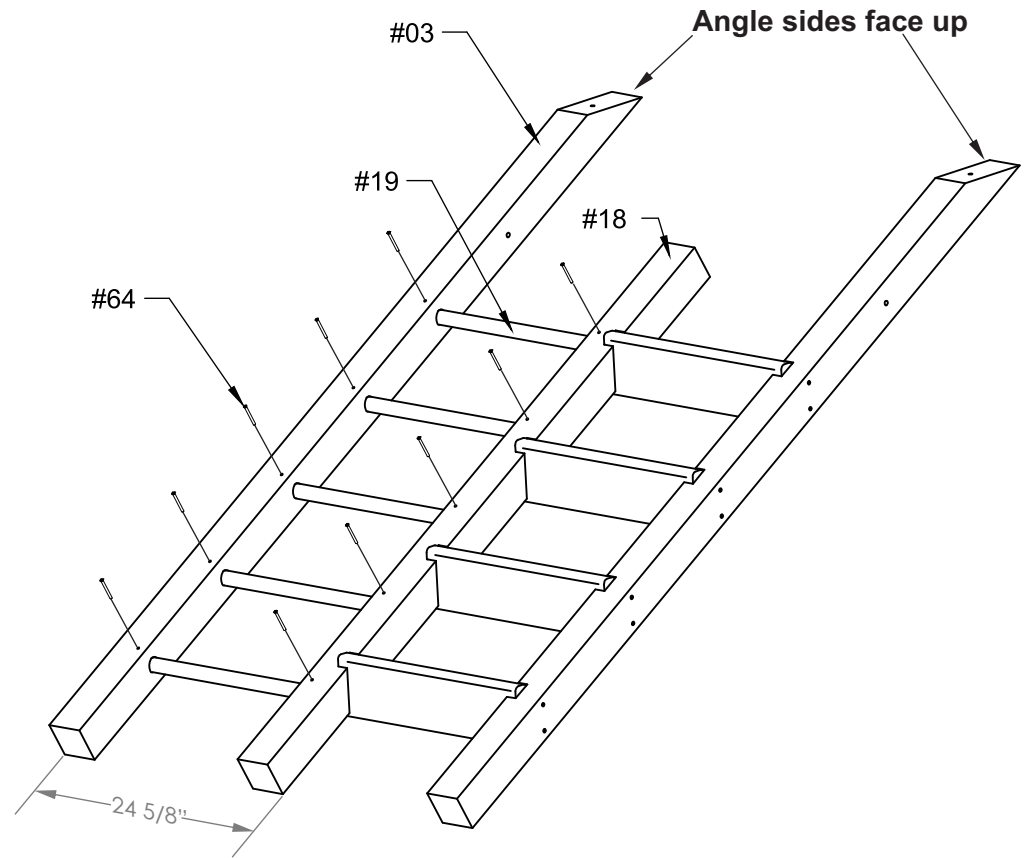
#40	5/16" FLAT WASHER	(7)
#41	5/16" X 4" LAG SCREW	(2)
#42	5/16" X 5" LAG SCREW	(5)
#64	#10 X 2" SELF TAPPING SCREW	(10)

1. Slide Ladder Rungs #19 into Ladder center #18 and Ladder Side #03 onto rungs #19 as shown.
2. Secure Ladder Rungs #19 with Self Tapping Screws #64 as shown. The ladder should have a width of 24 5/8" as shown.

FLIP STEP 2 ASSEMBLY OVER AND CONTINUE WITH STEP 3.

3. Attach item #11 to the backside of ladder assembly approximately 2" from bottom of items #01, #04, and #18. using hardware items #40 and #44. Left end of item #11 should extend 10" past item #04.
4. Attach items #12 and #13 to items #03 and #04 with angled surface flat against items #04 and #03. Attach items #11, #12, and #13 using hardware items #40 and #44.

PIPE RUNG ASSEMBLY



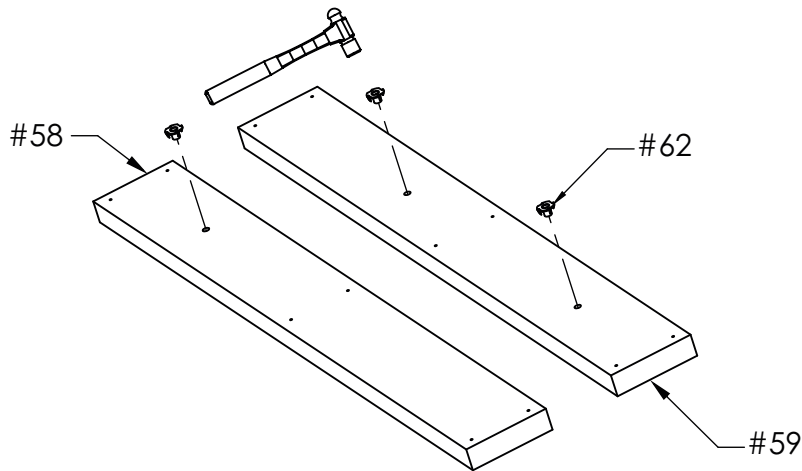
ROCK WALL BOARD HARDWARE INSTALLATION

PARTS NEEDED

#57	CLIMBING WALL BOARD (CENTER)	(4)
#58	CLIMBING WALL BOARD (SINGLE)	(5)
#59	CLIMBING WALL BOARD (DOUBLE)	(2)
#60	CLIMBING WALL BOARD (ROPE)	(1)

HARDWARE NEEDED

#62	3/8"-16 X 1/2" T-NUT	(14)
-----	----------------------	------



1. Place all Climbing Wall Boards items #57, #58, #59, and #60 on a flat surface and install hardware items #62 into pre-drilled holes as shown. Use a hammer or rubber mallet to gently tap hardware into place as needed.

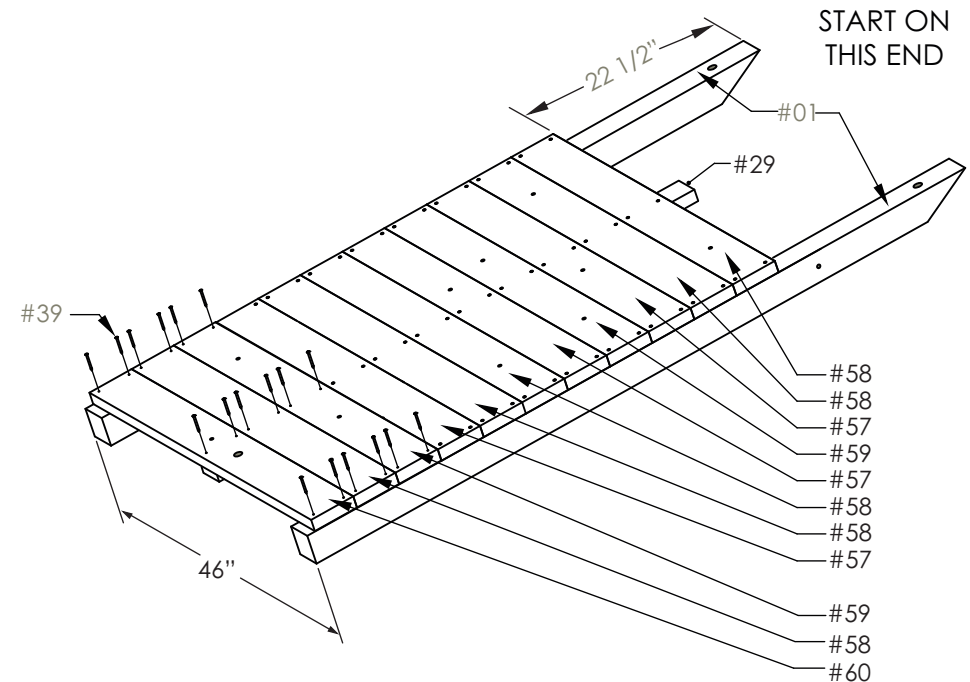
ROCK WALL ASSEMBLY

PARTS NEEDED

#01	LADDER SIDE	(2)
#29	CLIMBING WALL BACKBOARD	(1)
#57	CLIMBING WALL BOARD (CENTER)	(4)
#58	CLIMBING WALL BOARD (SINGLE)	(5)
#59	CLIMBING WALL BOARD (DOUBLE)	(2)
#60	CLIMBING WALL BOARD (ROPE)	(1)

HARDWARE NEEDED

#39	#8 X 2" FLAT HEAD WOOD SCREW	(66)
-----	------------------------------	------



1. Lay items #01 and #03 as shown in **DETAIL 1**, measuring 46" from outside face to outside face.
2. Measure 22 1/2" down from angled edge of items #01 and #03, arrange items, #57, #58, #59, and #60 in order shown. Be sure that T-NUT #62 is facing down when arranging Climbing Wall Boards.

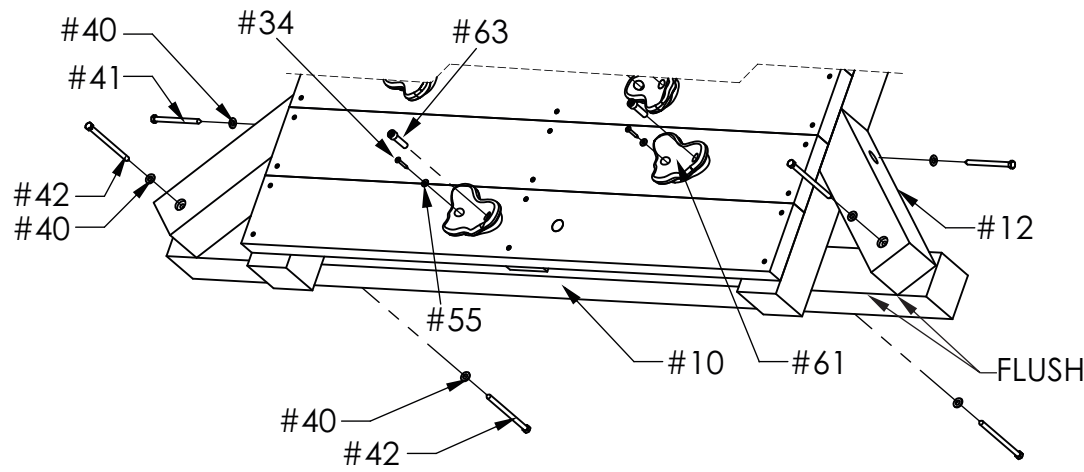
(MAKE SURE ASSEMBLY IS SQUARE)

3. Attach items #29, #57, #58, #59, and #60 using hardware item #39. **(MAKE SURE ITEM #29 IS FLUSH WITH BOTTOM OF ITEM #60, AND CENTERED ON PRE-DRILLED HOLES IN ITEMS #57, #58, #59, AND #60)**

ROCK WALL BASE ASSEMBLY

PARTS NEEDED

#10	BASE	(1)
#12	ANGLE BRACE (RIGHT)	(1)
#13	ANGLE BRACE (LEFT)	(1)
#61	CLIMBING ROCK	(14)

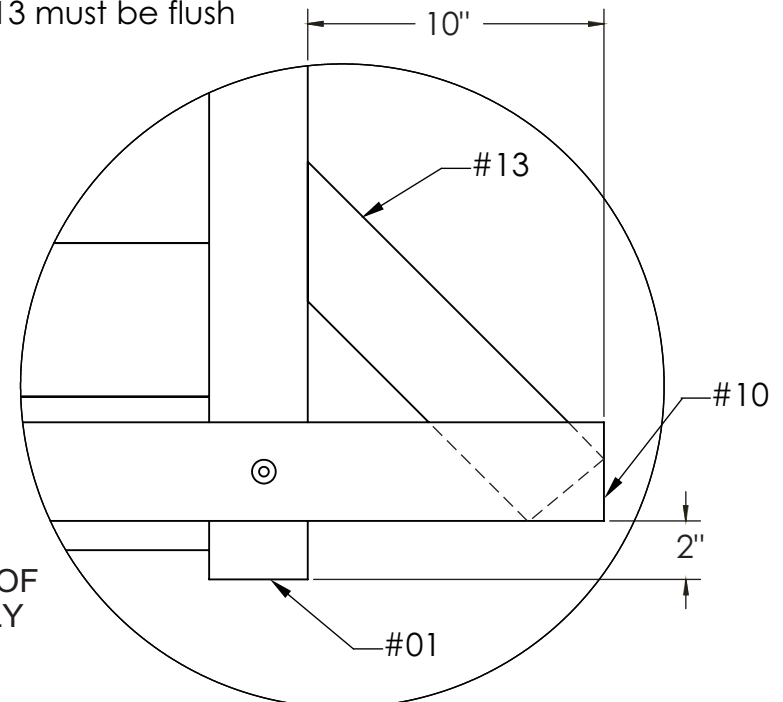


1. Turn Rock Wall Assembly face down and install item #10
2. Placing item #10, 2" up from bottom of items #01 AND #03 as shown in DETAIL VIEW.
3. Item #10 should extend out past the outside face of items #01 and #03 approximately 10". Attach item #10 to items #01 and #03 with hardware items #40 and #41.
4. Position items #12 and #13 as shown bottom edge of items #12 and #13 must be flush with bottom face of item #10.
5. Attach items #12 and #13 with hardware items #40, #41, and #42.
6. Attach items #61 using hardware #34, #55 and #63.

HARDWARE NEEDED

#34	#8X1.25 ROUND HEAD SCREW	(14)
#40	5/16" FLAT WASHER	(6)
#41	5/16 X 4" LAG SCREW	(2)
#42	5/16 X 5" LAG SCREW	(4)
#55	#10 FLAT WASHER	(14)
#63	#3/8-16 X 2" SOCKET HEAD SCREW	(14)

VIEW FROM BACKSIDE OF
ROCK WALL ASSEMBLY



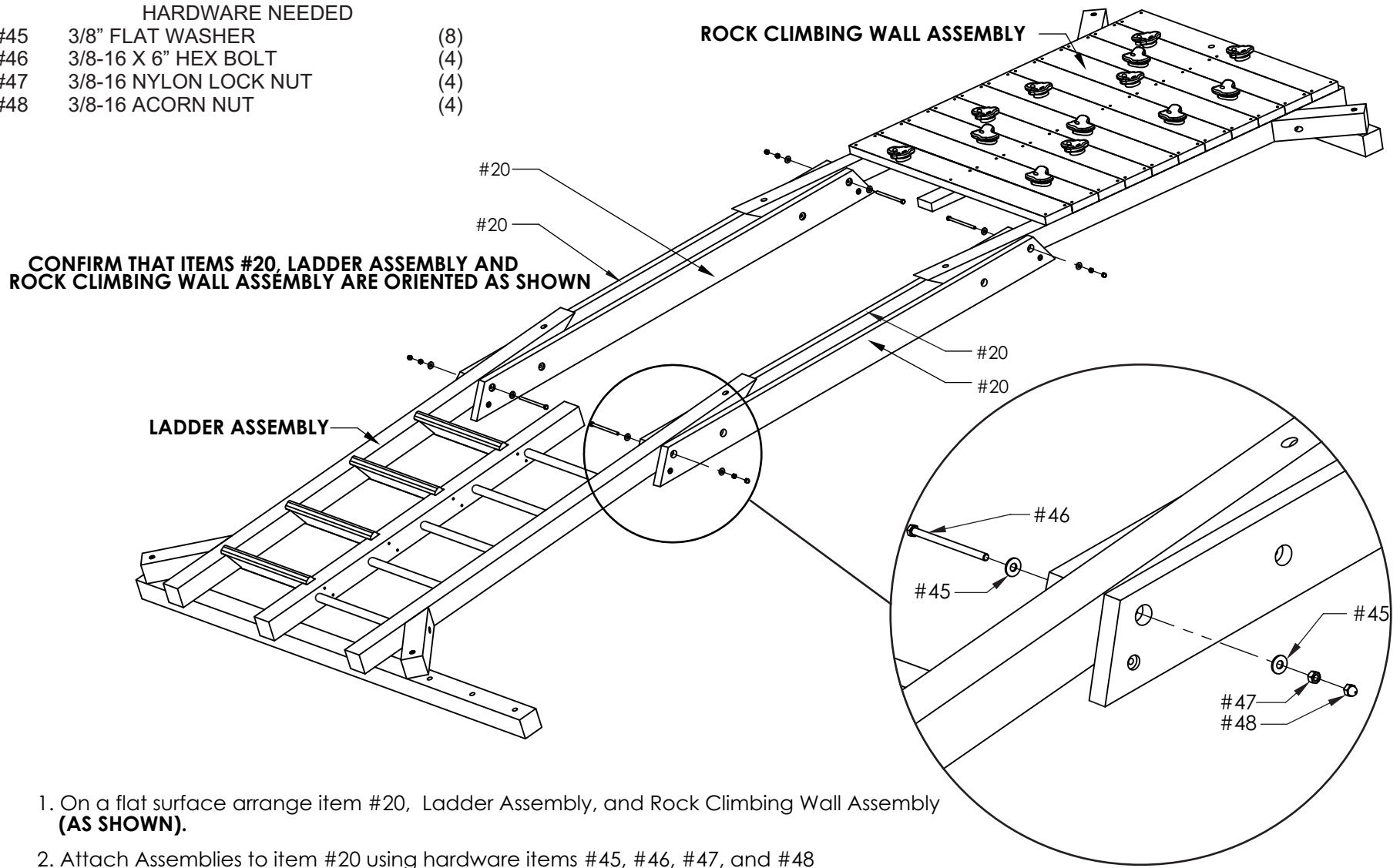
LADDER ASSEMBLY - ROCK CLIMBING WALL MAIN BEAM ASSEMBLY

PARTS NEEDED

#20	ROCK CLIMBING WALL ASSEMBLY	(1)
	LADDER ASSEMBLY	(1)
	MAIN BEAM	(4)

HARDWARE NEEDED

#45	3/8" FLAT WASHER	(8)
#46	3/8-16 X 6" HEX BOLT	(4)
#47	3/8-16 NYLON LOCK NUT	(4)
#48	3/8-16 ACORN NUT	(4)



CONFIRM THAT ITEMS #20, LADDER ASSEMBLY AND ROCK CLIMBING WALL ASSEMBLY ARE ORIENTED AS SHOWN

1. On a flat surface arrange item #20, Ladder Assembly, and Rock Climbing Wall Assembly **(AS SHOWN)**.
2. Attach Assemblies to item #20 using hardware items #45, #46, #47, and #48
3. Tighten hardware only after Corner Post Installation is complete.

HARDWARE SHOULD BE HAND TIGHTENED ONLY

CORNER POST INSTALLATION

PARTS NEEDED		
#17	CORNER POST	(4)
HARDWARE NEEDED		
#40	5/16" FLAT WASHER	(12)
#45	3/8" FLAT WASHER	(8)
#46	3/8-16 X 6" HEX BOLT	(4)
#47	3/8" NYLON LOCKNUT	(4)
#48	3/8-16 ACORN NUT	(4)
#41	5/16" X 4" LAG SCREW	(4)
#52	5/16" X 2.5" LAG SCREW	(8)

NOTE:

1. TWO OR MORE PEOPLE WILL BE REQUIRED TO COMPLETE THIS STEP.
2. GATHER ALL PARTS AND HARDWARE REQUIRED FOR THIS STEP BEFORE PICKING UP ASSEMBLY.
3. TIGHTEN ALL HARDWARE AT THIS TIME.

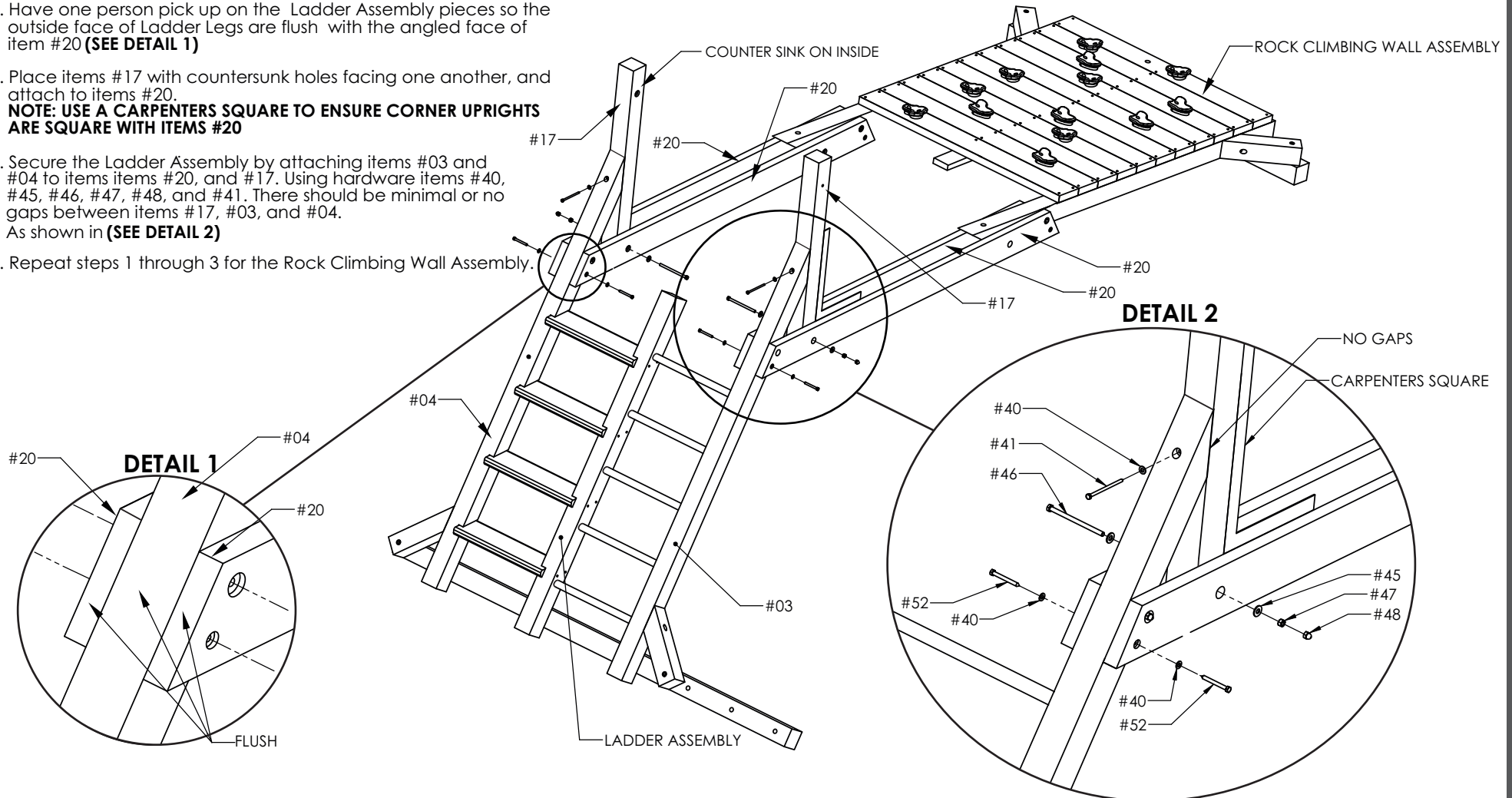
1. Have one person pick up on the Ladder Assembly pieces so the outside face of Ladder Legs are flush with the angled face of item #20 (SEE DETAIL 1)

2. Place items #17 with countersunk holes facing one another, and attach to items #20.

NOTE: USE A CARPENTERS SQUARE TO ENSURE CORNER UPRIGHTS ARE SQUARE WITH ITEMS #20

3. Secure the Ladder Assembly by attaching items #03 and #04 to items #20, and #17. Using hardware items #40, #45, #46, #47, #48, and #41. There should be minimal or no gaps between items #17, #03, and #04. As shown in (SEE DETAIL 2)

4. Repeat steps 1 through 3 for the Rock Climbing Wall Assembly.

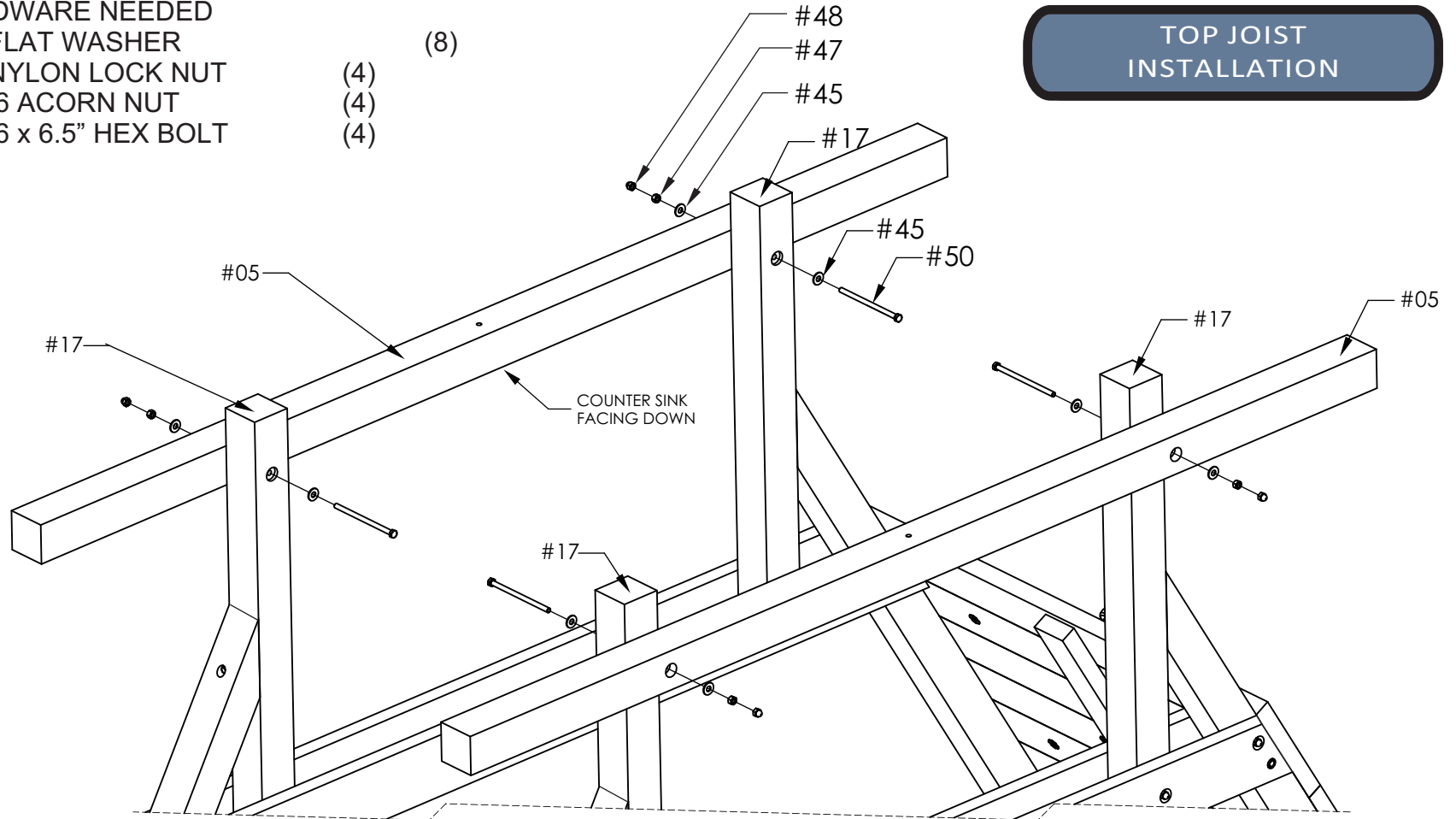


PARTS NEEDED

#05 HORIZONTAL ROOF SUPPORT (2)

HARDWARE NEEDED

#45 3/8" FLAT WASHER (8)
#47 3/8" NYLON LOCK NUT (4)
#48 3/8-16 ACORN NUT (4)
#50 3/8-16 x 6.5" HEX BOLT (4)



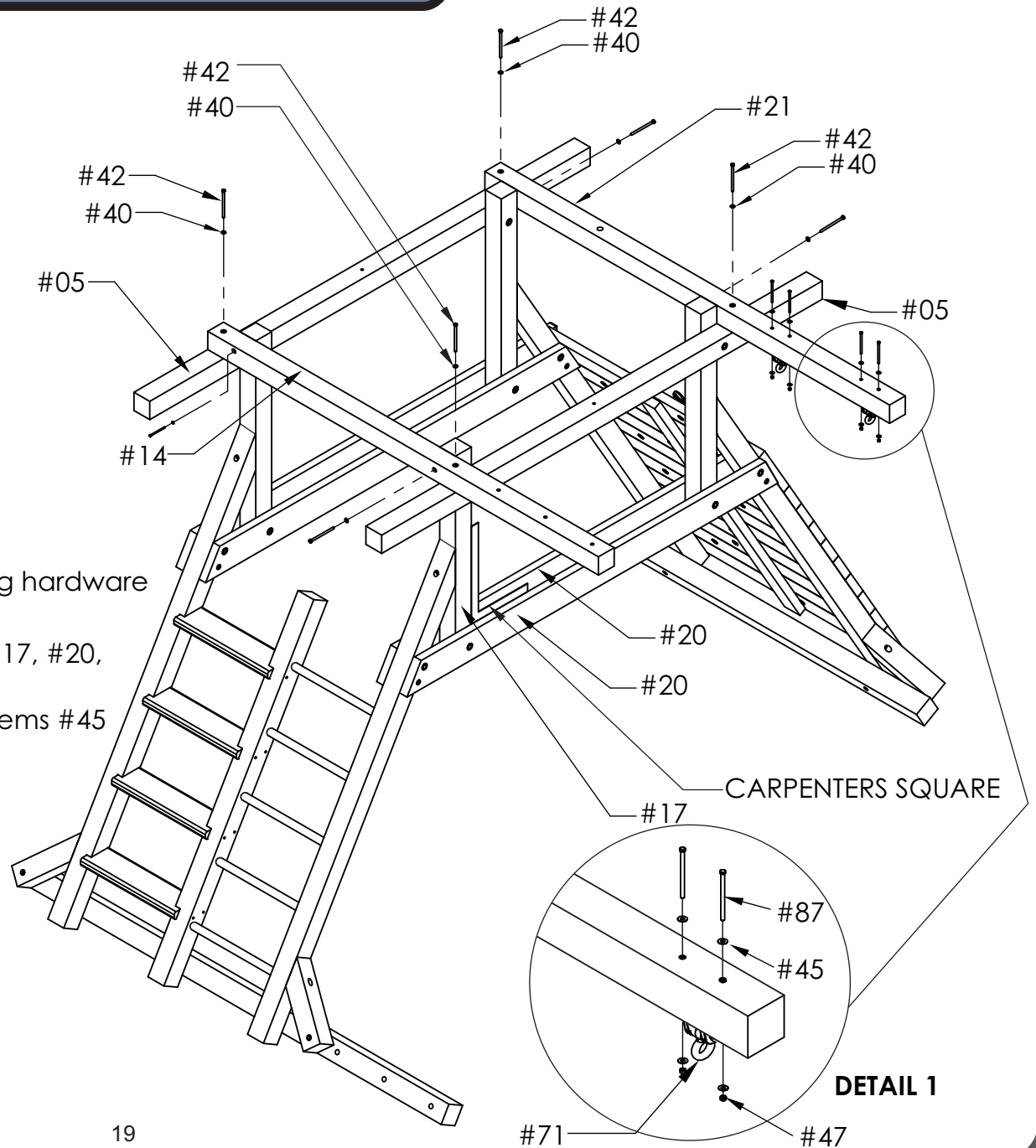
1. Attach item #05 to items #17 using hardware items #45, #47, #48 and #50 making sure the countersunk holes in bottom of items #05 are facing down.

ROPE LADDER / ACCESSORY ARM INSTALLATION

PARTS NEEDED		
#14	ROPE LADDER ARM	(1)
#21	ACCESSORY ARM	(1)
#71	DUCTILE SWING HANGER	(2)

HARDWARE NEEDED		
#42	5/16" X 5" LAG SCREW	(8)
#40	5/16" FLAT WASHER	(8)
#45	3/8" FLAT WASHER	(8)
#47	3/8" NYLON LOCKNUT	(4)
#87	3/8"-16 X 4.5" HEX BOLT	(4)

1. Attach items #14 and #21 to item #05, using hardware items #40 and #42.
2. Using a Carpenter Square verify that items #17, #20, and #05 are all square with each other.
3. Attach item #71 as shown using hardware items #45, #47, and #87
(SEE DETAIL 1)



DECK JOIST / DECK BOARD INSTALLATION

PARTS NEEDED

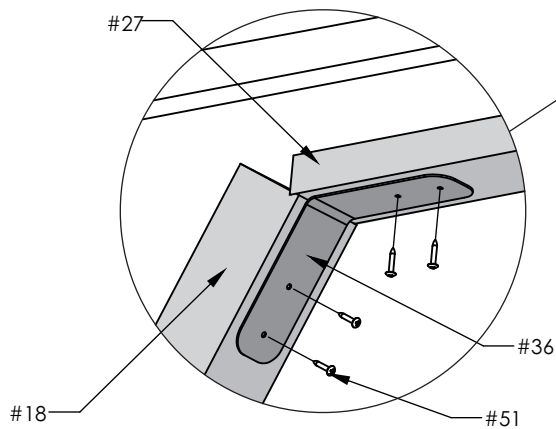
#22	LONG 2" X 6" DECK BOARD	(6)
#23	LONG 2" X 4" DECK BOARD	(2)
#24	SHORT 2" X 4" DECK BOARD	(4)
#25	SHORT 2" X 6" DECK BOARD	(2)
#27	DECK BACKBOARD	(1)
#54	LONG DECK BOARD W/HOLE	(2)

HARDWARE NEEDED

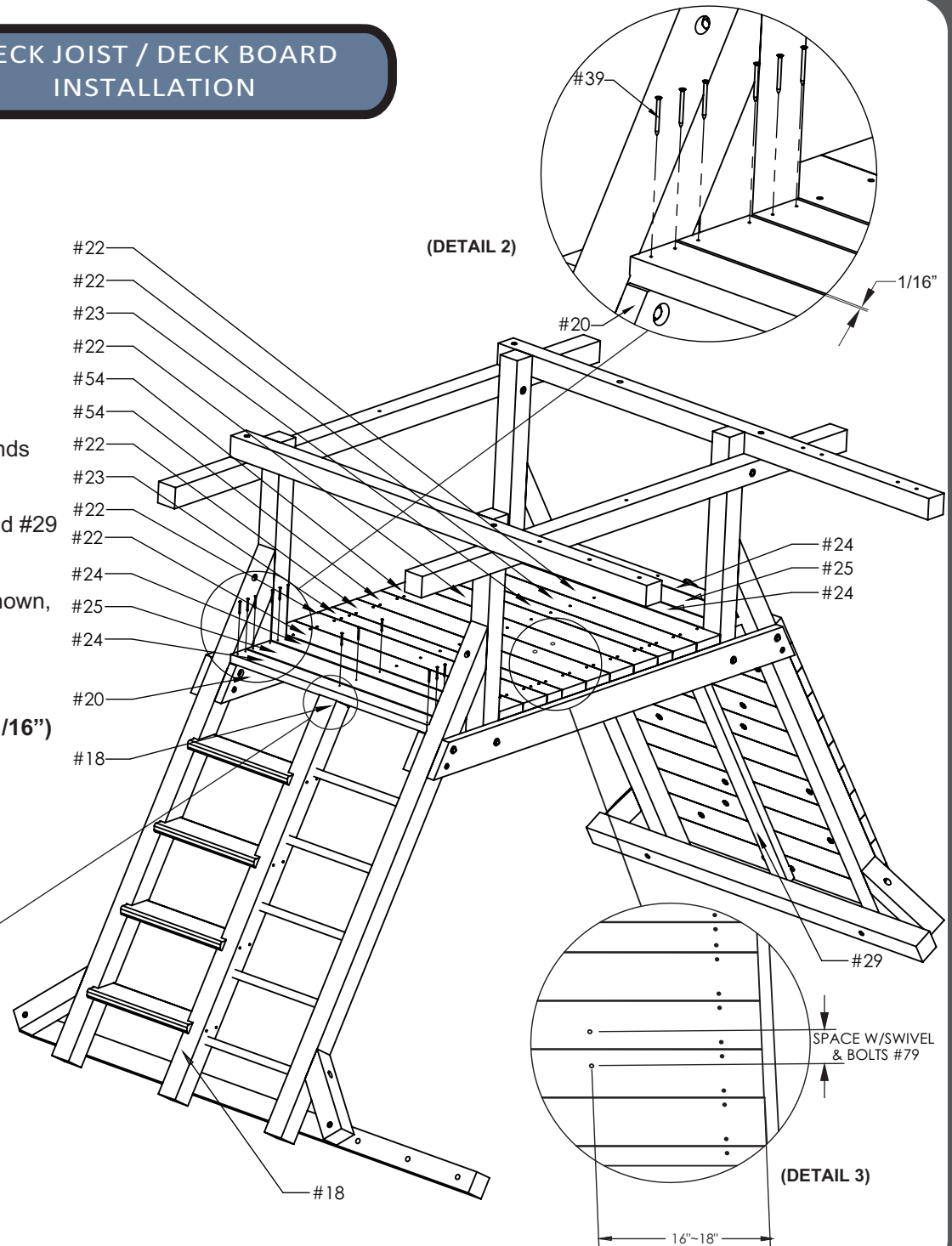
#36	LADDER BRACKET	(2)
#39	#8 X 2" FLAT HEAD SCREW	(80)
#51	#8 X 1" ROUND HEAD SCREW	(8)

1. Lay item #27 face down on flat ground and attach item #36 on both ends using hardware #51.
2. Lift assembled item #27 up and attach Ladder Bracket to items #18 and #29 using hardware #51. (SEE DETAIL 1)
3. Arrange items #22, #23, #24, #25 and #54 across items and #20 as shown, attach using hardware #39.

(PRE-DRILLED HOLES IN PART #54 SHOULD BE POSITIONED AS SHOWN, USE TIRE SWIVEL TO SPACE HOLES.)
(GAP BETWEEN DECK BOARDS SHOULD BE APPROXIMATELY 1/16")
(SEE DETAIL 2)
(ALL DECK BOARDS SHOULD BE CENTERED IN THE WIDTH OF PLAYSET)



DETAIL 1
Bracket #36 underneath the deck.



ROOF SUPPORT / DECK FRAME

INSTALLATION

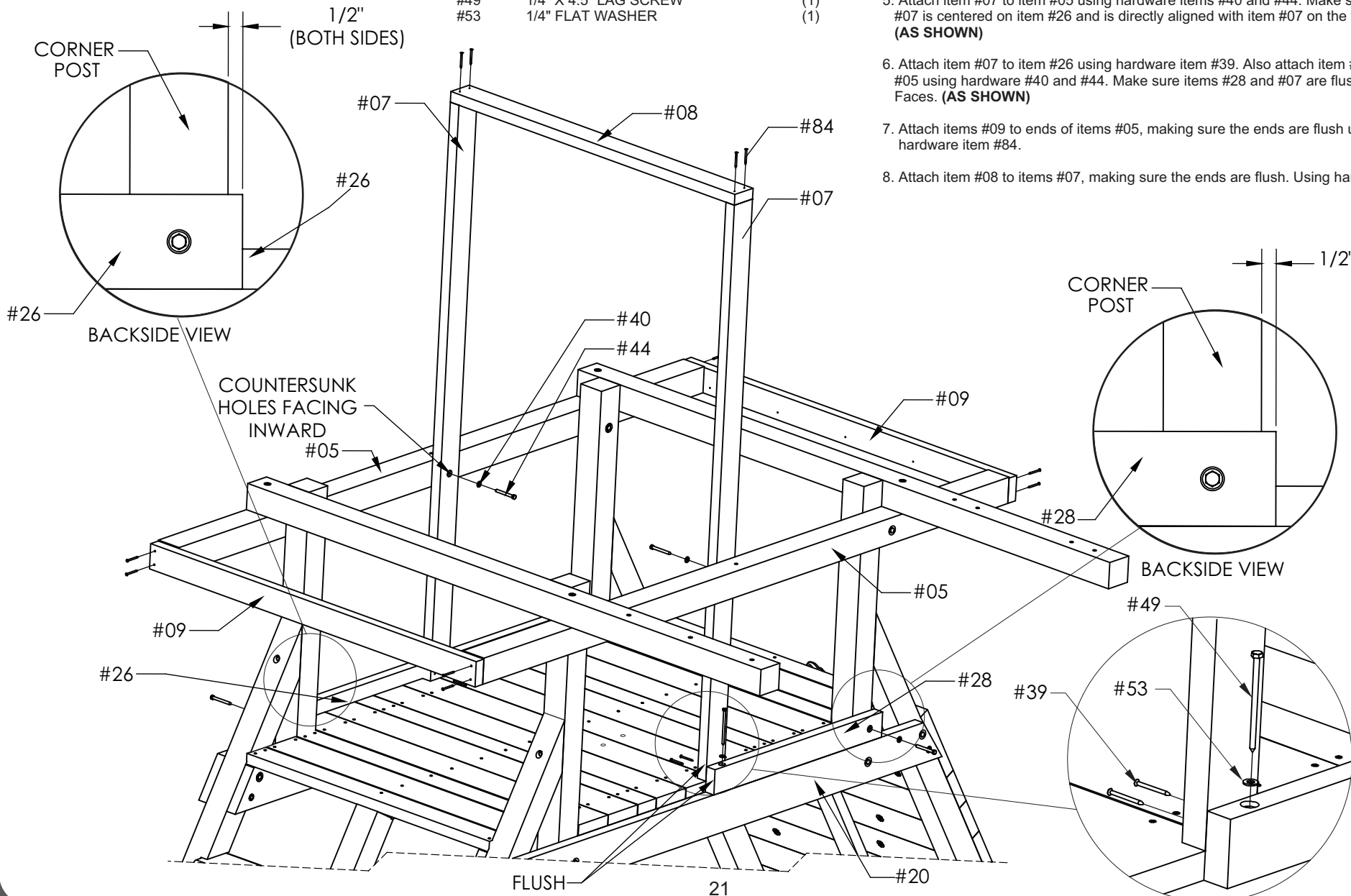
PARTS NEEDED

#07	CENTER ROOF SUPPORT	(1)
#08	TOP HORIZONTAL ROOF SUPPORT	(1)
#09	SIDE HORIZONTAL ROOF SUPPORT	(2)
#26	DECK FRAME	(1)
#28	DECK FRAME HALF	(1)

HARDWARE NEEDED

#39	#8 X 2" FLAT HEAD WOOD SCREW	(4)
#40	5/16" FLAT WASHER	(4)
#44	5/16" X 3" LAG SCREW	(5)
#84	#8 X 2.5" FLAT HEAD WOOD SCREW	(12)
#49	1/4" X 4.5" LAG SCREW	(1)
#53	1/4" FLAT WASHER	(1)

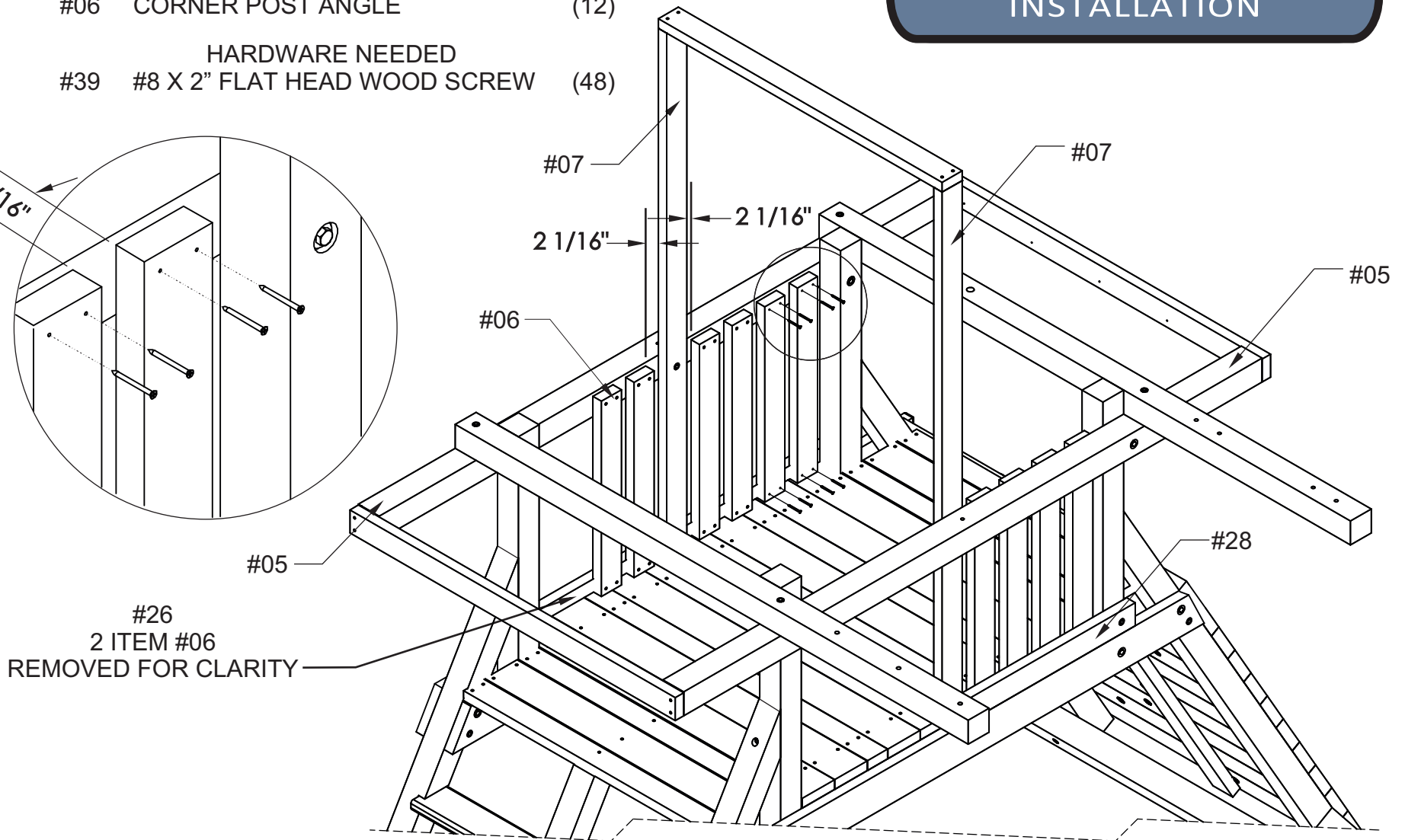
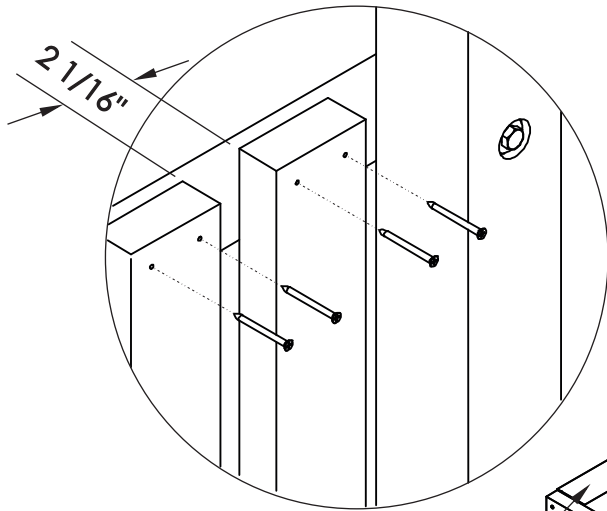
1. Attach item #28 to Corner Post using hardware item #40 and #44 making sure end of item #28 extends past Corner Post a 1/2" as shown.
2. From top of item #28 attach it to item #20 using hardware items #49 and #53.
3. Attach item #26 to backside Corner Post using hardware items #40 and #44, item #26 will extend past Corner Post 1/2" on both ends. **(AS SHOWN)**
4. Attach item #07 to item #28 using hardware item #39.
5. Attach item #07 to item #05 using hardware items #40 and #44. Make sure item #07 is centered on item #26 and is directly aligned with item #07 on the front side. **(AS SHOWN)**
6. Attach item #07 to item #26 using hardware item #39. Also attach item #07 to item #05 using hardware #40 and #44. Make sure items #28 and #07 are flush at end Faces. **(AS SHOWN)**
7. Attach items #09 to ends of items #05, making sure the ends are flush using hardware item #84.
8. Attach item #08 to items #07, making sure the ends are flush. Using hardware #84.



SIDE WALL INSTALLATION

PARTS NEEDED
#06 CORNER POST ANGLE (12)

HARDWARE NEEDED
#39 #8 X 2" FLAT HEAD WOOD SCREW (48)

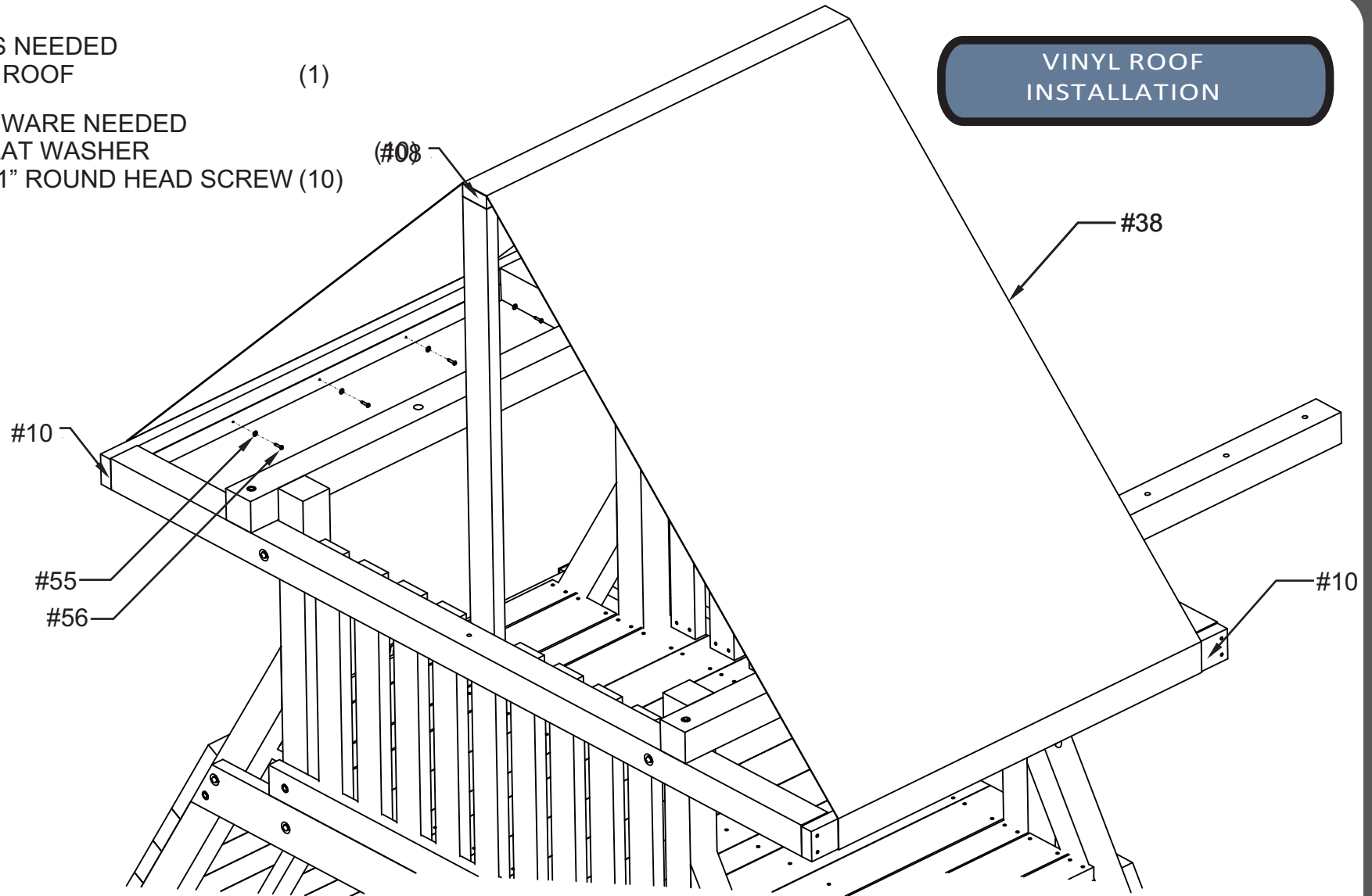


1. Starting at item #07 in the back of playset space items #06 approximately $2 \frac{1}{16}$ " apart from each side of item #07. (AS SHOWN)
2. Attach to items #26 and #05 using hardware item #39.
3. Repeat step 1 to attach item #06 to front side of playset item #28 and #05. (AS SHOWN)

VINYL ROOF INSTALLATION

#38 PARTS NEEDED
VINYL ROOF (1)

HARDWARE NEEDED
#55 #10 FLAT WASHER
#56 #10 X 1" ROUND HEAD SCREW (10)



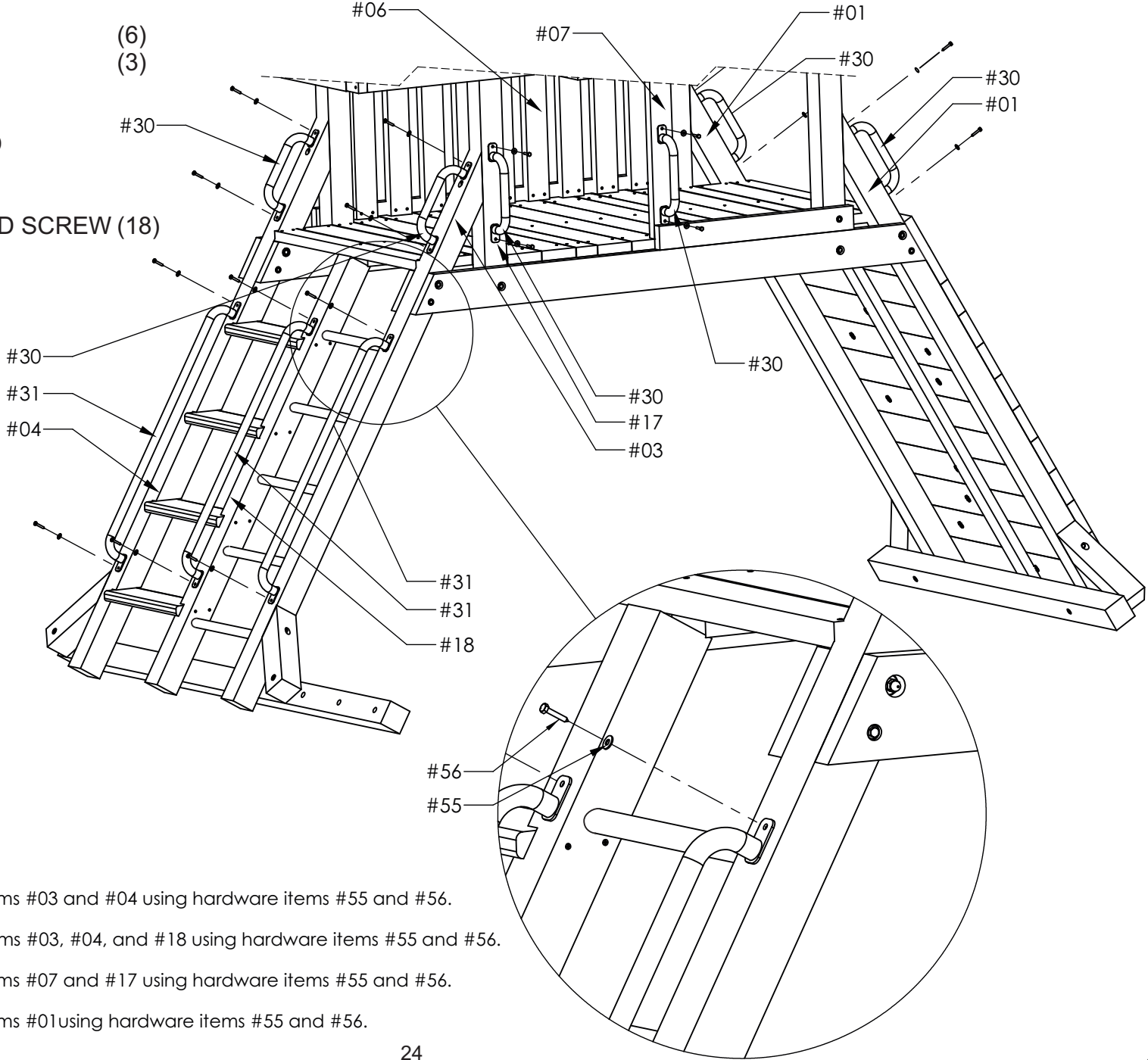
1. With a helper, center item #38 over items #08, #10 (Left, Right, and Center).
2. Wrap item #38 over right side item #10 and attach using hardware items #56 and #55, They should be evenly spaced 5 places from side to side.
3. With item #55 assembled on item #56 lightly tap item #56 through item #38 and into item #10.
4. Finish tightening with a screwdriver.
5. Pull item #38 tight and repeat steps 2, 3, and 4 for left side of #38.

ITEMS #06 HAVE BEEN REMOVED FOR CLARITY

- #30 PARTS NEEDED
- #31 SMALL HANDLE (6)
- LONG HANDLE (3)

- HARDWARE NEEDED
- #55 #10 FLAT WASHER (18)
- #56 #10 X 1" ROUND HEAD SCREW (18)

**SAFETY HANDLE
INSTALLATION**



1. Attach item #30 as shown to items #03 and #04 using hardware items #55 and #56.
2. Attach items #31 as shown to items #03, #04, and #18 using hardware items #55 and #56.
3. Attach item #30 as shown to items #07 and #17 using hardware items #55 and #56.
4. Attach item #30 as shown to items #01 using hardware items #55 and #56.

PARTS NEEDED

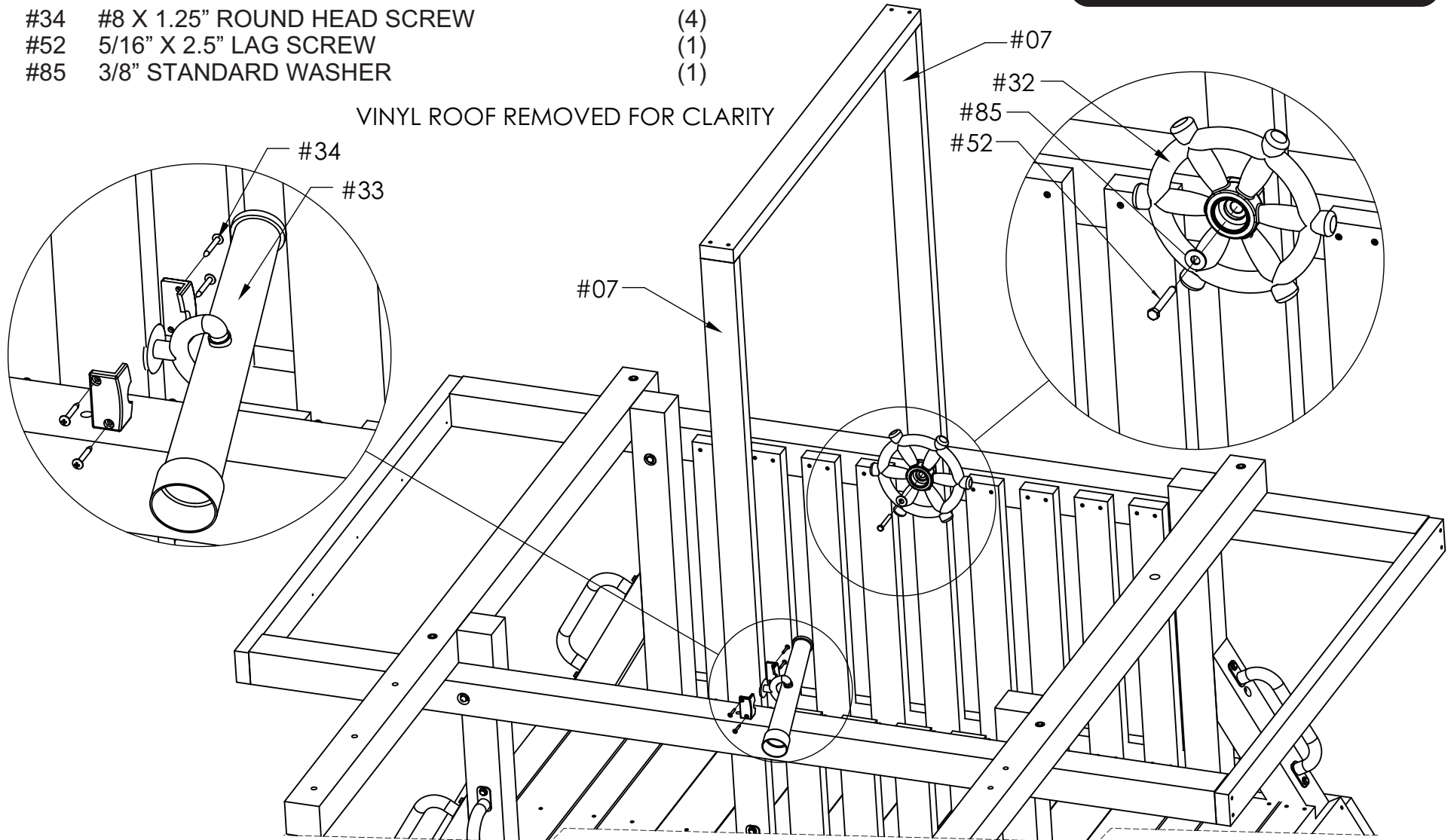
#32	SHIPS WHEEL	(1)
#33	TELESCOPE	(1)

HARDWARE NEEDED

#34	#8 X 1.25" ROUND HEAD SCREW	(4)
#52	5/16" X 2.5" LAG SCREW	(1)
#85	3/8" STANDARD WASHER	(1)

SHIPS WHEEL / TELESCOPE INSTALLATION

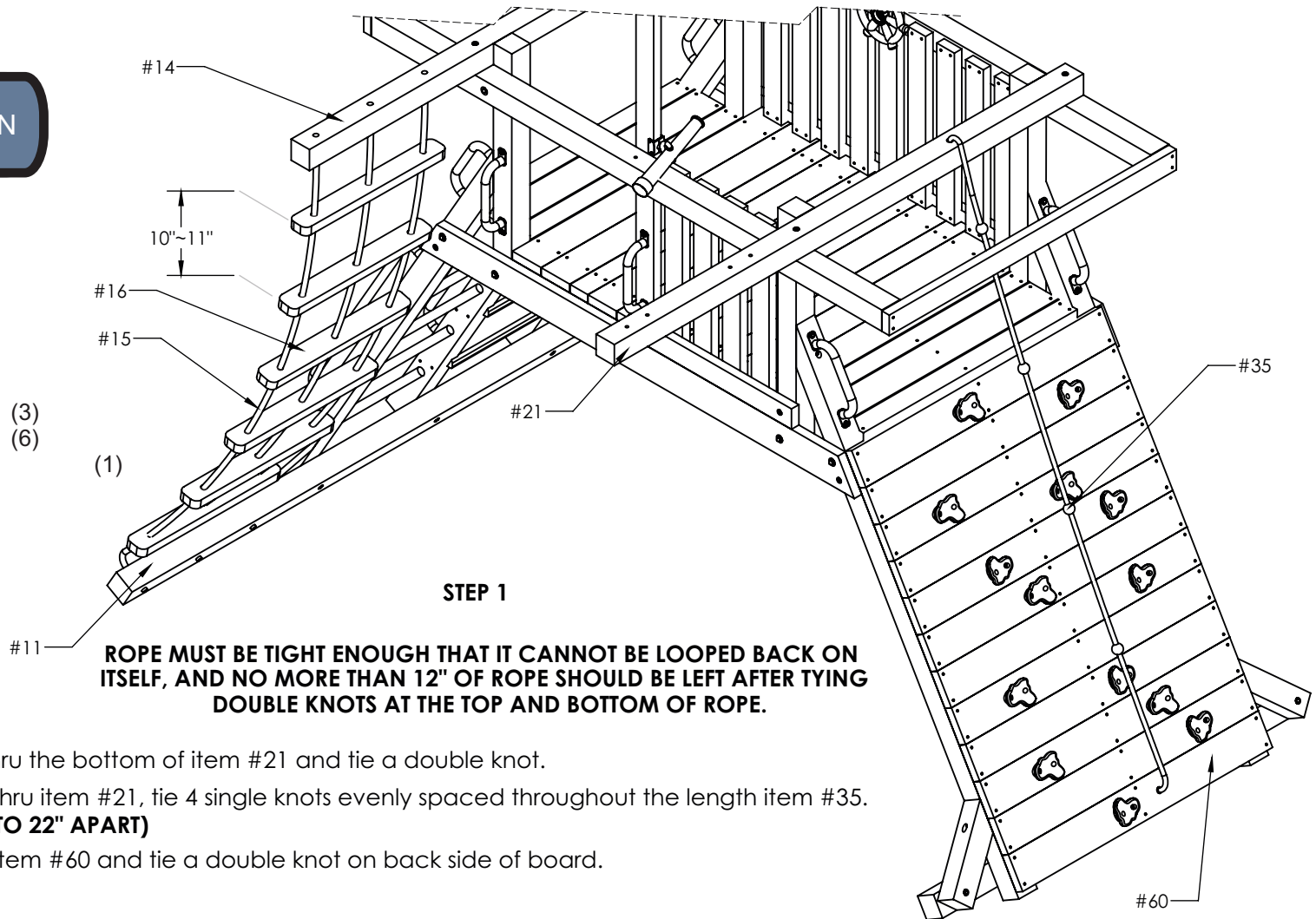
VINYL ROOF REMOVED FOR CLARITY



1. Attach item #32 as shown using hardware items #85 and #52.
(DO NOT OVER TIGHTEN LAG SCREW SHIPS WHEEL SHOULD TURN FREELY)
2. Attach item #33 to item #07 as shown using hardware item #34.

ROPE INSTALLATION

#15 PARTS NEEDED
 #16 LADDER ROPE (3)
 #35 ROPE LADDER RUNG (6)
 #35 CLIMBING ROPE (1)



STEP 1

#11 **ROPE MUST BE TIGHT ENOUGH THAT IT CANNOT BE LOOPED BACK ON ITSELF, AND NO MORE THAN 12" OF ROPE SHOULD BE LEFT AFTER TYING DOUBLE KNOTS AT THE TOP AND BOTTOM OF ROPE.**

STEP 1

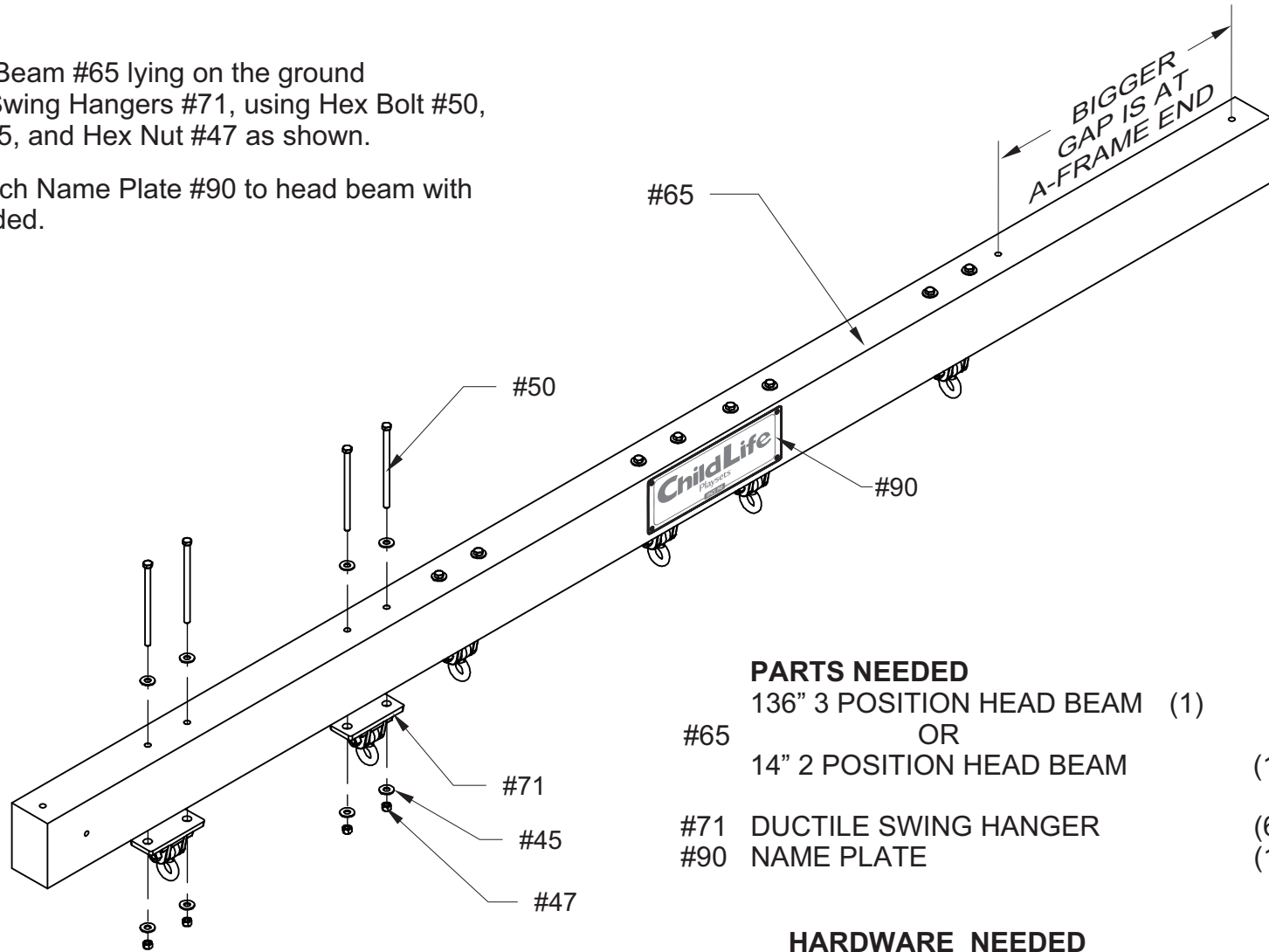
1. Thread item #35 up thru the bottom of item #21 and tie a double knot.
2. Pull item #35 up and thru item #21, tie 4 single knots evenly spaced throughout the length item #35. **(APPROXIMATELY 18" TO 22" APART)**
3. Thread item #35 thru item #60 and tie a double knot on back side of board.

STEP 2

4. Thread items #15 up thru the bottom of item #14 and tie a double knot.
5. Slide one item #16 up on items #15 with approximately 10"~11" between bottom of item #14 and item #16, tie a single knot on each rope, directly below item #16.
6. Repeat step 5 for the remaining 5 items #16. There should be 10"~11" between each item #16.
7. Thread items #15 thru item #11 and pull items #35 tight. Tie a double knot on the back side of item #11.

SWING-HANGER-ASSEMBLY

1. With the Head Beam #65 lying on the ground attach Ductile Swing Hangers #71, using Hex Bolt #50, Flat Washer #45, and Hex Nut #47 as shown.
2. Center and attach Name Plate #90 to head beam with hardware provided.



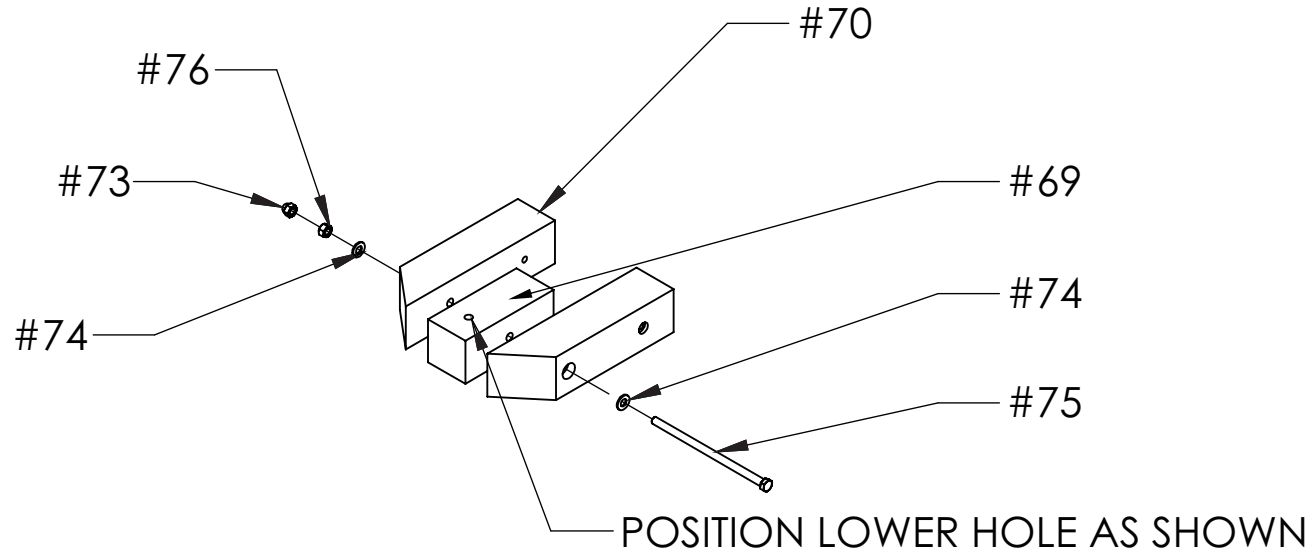
PARTS NEEDED

#65	136" 3 POSITION HEAD BEAM	(1)
	OR	
#65	14" 2 POSITION HEAD BEAM	(1)
#71	DUCTILE SWING HANGER	(6)
#90	NAME PLATE	(1)

HARDWARE NEEDED

#45	3/8" FLAT WASHER	(24)
#47	3/8" NYLON LOCKNUT	(12)
#50	3/8"-16 X 6.5" HEX BOLT	(12)

U - SH AP E D B R A C K E T - A S S E M B L Y

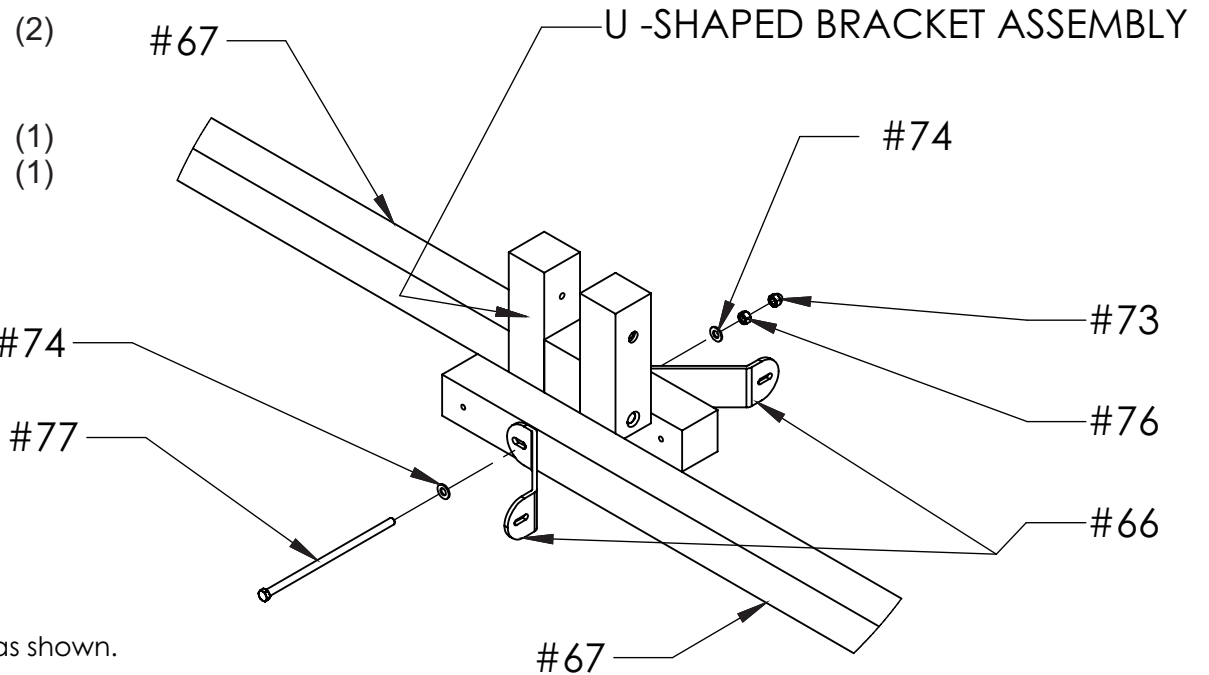


PARTS NEEDED

- #66 ANGLE BRACKET
- #67 112" A-FRAME LEG
- (2)
- #69 U-JOINT CENTER SPACE BLOCK
- #70 U-JOINT OUTSIDE

HARDWARE NEEDED

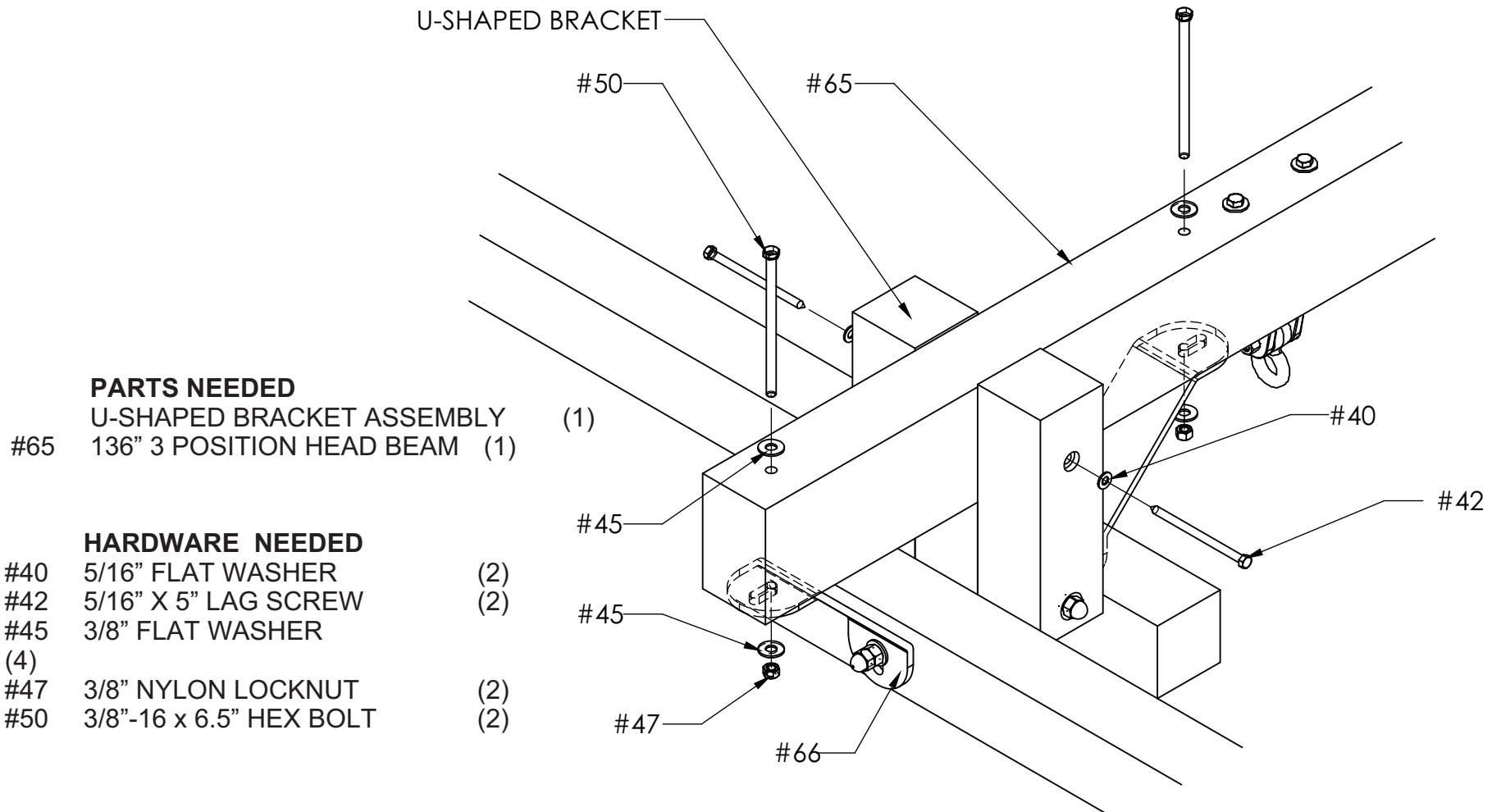
- #73 1/2"-13 ACORN NUT (2)
- #74 1/2" FLAT WASHER (4)
- #75 1/2"-13 X 10" HEX BOLT (1)
- #76 1/2"-13 NYLON LOCKNUT (1)
- #77 1/2"-13 X 11.5" HEX BOLT (1)



1. Arrange U-Shaped Bracket using item #70, and #69 as shown.
2. Using hardware items #73, #74, #75, and #76 assemble U-Shaped Bracket.
3. Lay items #67 on flat surface as shown.
4. Arrange U shaped Bracket Assembly and items #67 as shown.
5. Bolt item #66, U Shaped Bracket Assembly, and Items #67 together as shown. Using hardware items #73, #74, #76, and #77.

DO NOT TIGHTEN HARDWARE AT THIS TIME

HEAD BEAM TO - A - FRAME - ASSEMBLY



PARTS NEEDED

#65 U-SHAPED BRACKET ASSEMBLY (1)
 #65 136" 3 POSITION HEAD BEAM (1)

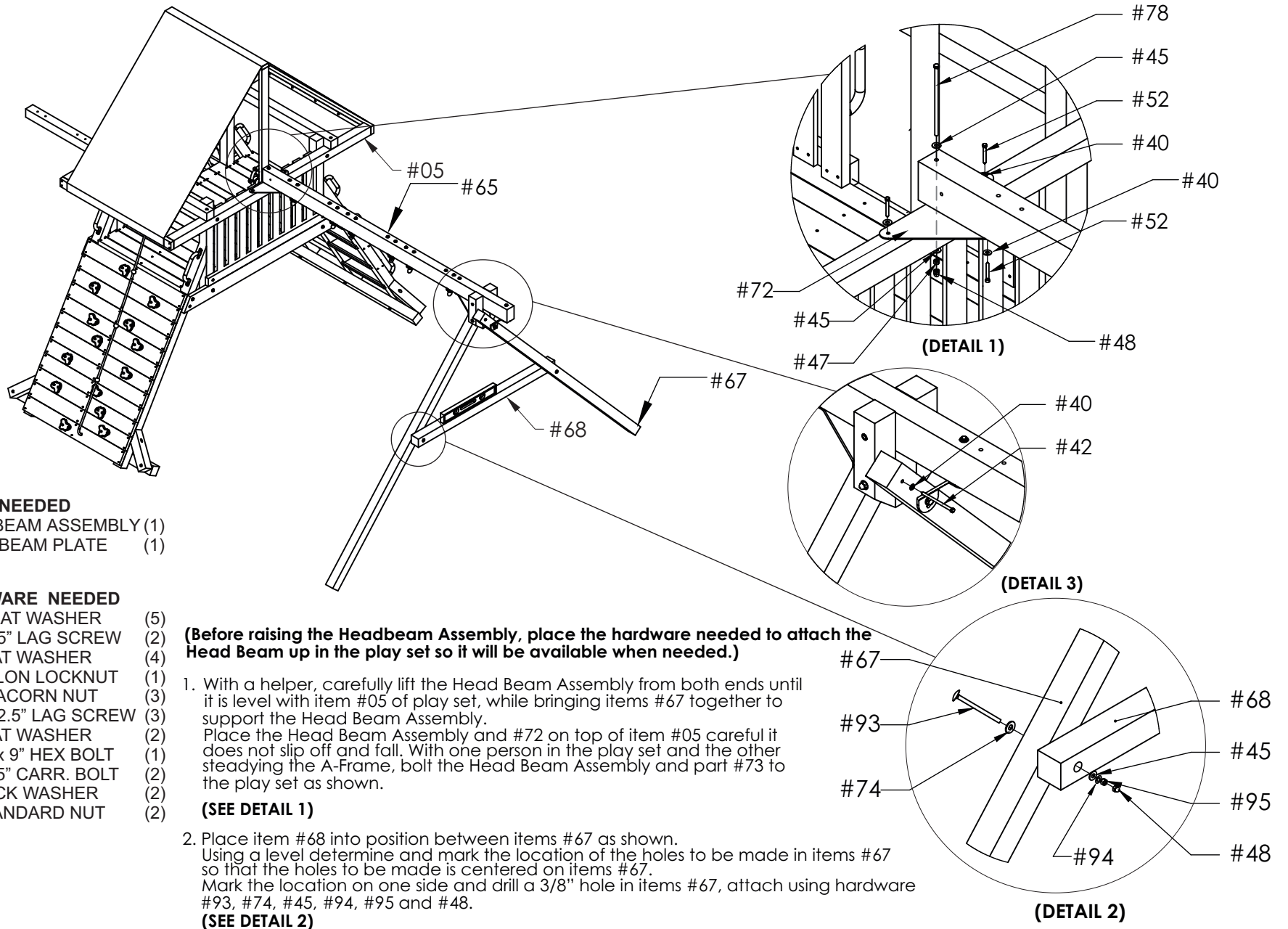
HARDWARE NEEDED

#40 5/16" FLAT WASHER (2)
 #42 5/16" X 5" LAG SCREW (2)
 #45 3/8" FLAT WASHER (4)
 #47 3/8" NYLON LOCKNUT (2)
 #50 3/8"-16 x 6.5" HEX BOLT (2)

(Prop up the end of 3 Position Head Beam #65, 6" for it to lay flat in the U-Shaped Bracket)

1. Place item #65 into the U-Shaped Bracket and line up item #66 to the two single holes in the end of item #65 and attach using hardware items #45, #47, and #50
2. When item #65 is sitting flat in the U-Shaped Bracket, attach with hardware items #40, #42 from each side as shown.

RAISE HEADBEAM & ATTACH TO PLAYSET



PARTS NEEDED

- #72 HEAD BEAM ASSEMBLY (1)
- SWING BEAM PLATE (1)

HARDWARE NEEDED

- #40 5/16" FLAT WASHER (5)
- #42 5/16" X 5" LAG SCREW (2)
- #45 3/8" FLAT WASHER (4)
- #47 3/8" NYLON LOCKNUT (1)
- #48 3/8"-16 ACORN NUT (3)
- #52 5/16" X 2.5" LAG SCREW (3)
- #74 1/2" FLAT WASHER (2)
- #78 3/8"-16 x 9" HEX BOLT (1)
- #93 3/8 X 6.5" CARR. BOLT (2)
- #94 3/8" LOCK WASHER (2)
- #95 3/8" STANDARD NUT (2)

(Before raising the Headbeam Assembly, place the hardware needed to attach the Head Beam up in the play set so it will be available when needed.)

1. With a helper, carefully lift the Head Beam Assembly from both ends until it is level with item #05 of play set, while bringing items #67 together to support the Head Beam Assembly. Place the Head Beam Assembly and #72 on top of item #05 careful it does not slip off and fall. With one person in the play set and the other steadying the A-Frame, bolt the Head Beam Assembly and part #73 to the play set as shown.

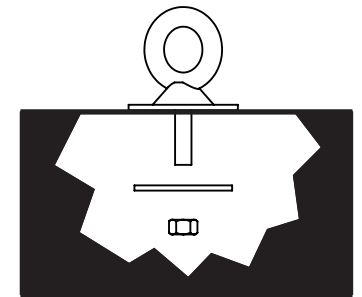
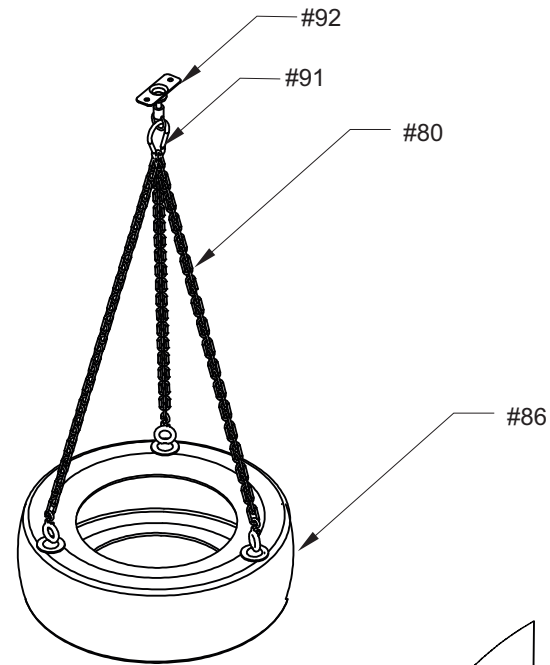
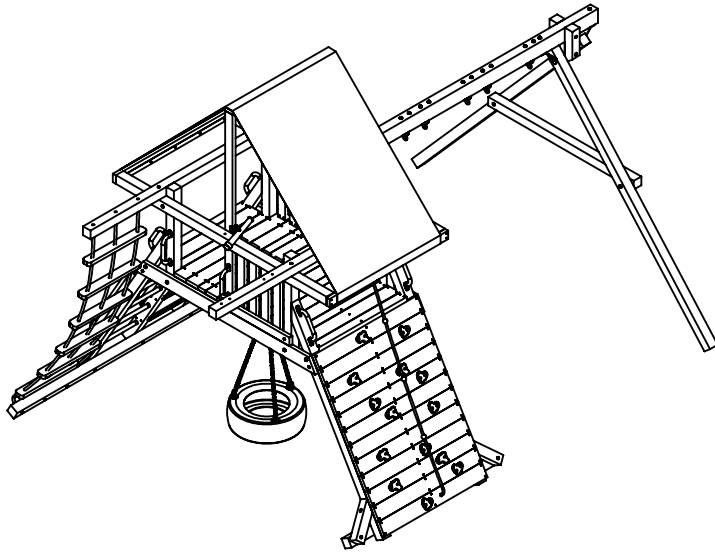
(SEE DETAIL 1)

2. Place item #68 into position between items #67 as shown. Using a level determine and mark the location of the holes to be made in items #67 so that the holes to be made is centered on items #67. Mark the location on one side and drill a 3/8" hole in items #67, attach using hardware #93, #74, #45, #94, #95 and #48.

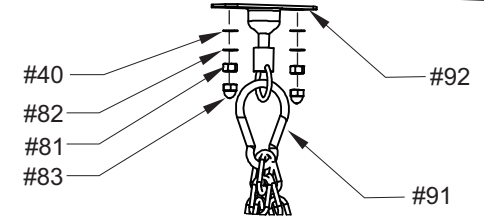
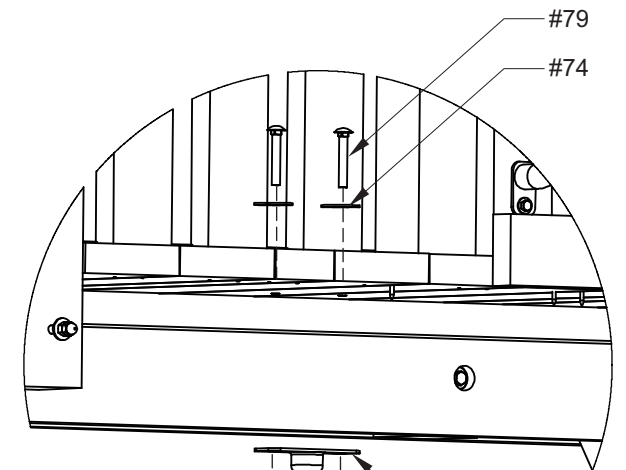
(SEE DETAIL 2)

3. Once item #65, and item #68 are in place attach items #67 to U-JOINT ASSEMBLY using hardware items #40 and #42 as shown.

(SEE DETAIL 3)



DETAIL 2



DETAIL 1

PARTS NEEDED

#86 PG-AC-0017 TIRE (1)

HARDWARE NEEDED

#40 5/16" FLAT WASHER (2)
 #74 1/2" FLAT WASHER (2)
 #79 5/16"-16 X 2.5" CARRIAGE BOLT (2)
 #80 TIRE CHAINS / EYE BOLTS (1)
 #81 5/16" STANDARD NUT (2)
 #82 5/16" LOCK WASHER (2)
 #83 5/16" ACORN NUT (2)
 #91 SPRING CLIP (1)
 #92 TIRE SWING SWIVEL (1)

1. Using the holes drilled earlier in the Deck Boards attach Swivel #92 to bottom of Deck Boards using hardware items #74, #79, #81, #82, and #83 as shown in Detail 1.
2. Attach Eye Bolts and Chains to item #86 as shown in Detail 2.
3. Attach assembled Tire Swing and Chains to Swivel as shown in Detail 1.

Consumer Information Sheet for Playground Surfacing Materials¹

The U.S. Consumer Product Safety Commission (CPSC) estimates that about 100,000 playground equipment-related injuries resulting from falls to the ground surface are treated annually in the U.S. hospital emergency rooms. Injuries involving this hazard pattern tend to be among the most serious of all playground injuries, and have the potential to be fatal, particularly when the injury is to the head.

The surface under and around playground equipment can be a major factor in determining the injury-causing potential of a fall. It is self evident that a fall onto a shock absorbing surface is less likely to cause a serious injury than a fall onto a hard surface. Playground equipment should never be placed on hard surfaces such as concrete or asphalt and while grass may appear to be acceptable it may quickly turn to hard packed earth in areas of high traffic. Shredded bark mulch, wood chips, fine sand or fine gravel are considered to be acceptable shock absorbing surfaces when installed and maintained at a sufficient depth under and around playground equipment.

The following table lists the maximum height from which a child would not be expected to sustain a life-threatening head injury in a fall onto four different loose-fill surfacing materials if they are installed and

maintained at depths of 6", 9", and 12". However, it should be recognized that all injuries due to falls cannot be prevented no matter what surfacing material is used.

It is recommended that a shock absorbing material should extend a minimum of 6' in all directions from the perimeter of stationary equipment such as climbers and slides. However, because children may deliberately jump from a moving swing, the shock absorbing material should extend in the front and rear of a swing a minimum distance of 2 times the height of the pivot point measured from a point directly beneath the pivot point supporting structure.

This information is intended to assist in comparing the relative shock-absorbing properties of various materials. No particular material is recommended over another. However, each material is only effective when properly maintained. Materials should be checked periodically and replenished to maintain correct depth as determined necessary for your equipment. The choice of a material depends on the type and height of the playground equipment, the availability of the material in your area, and its cost.

FALL HEIGHT IN FEET FROM WHICH A LIFE THREATENING HEAD INJURY WOULD NOT BE EXPECTED

TYPE OF MATERIAL	6" DEPTH	9" DEPTH	12" DEPTH
Double Shredded Bark Mulch	6'	10'	11'
Wood Chips	6'	7'	12'
Fine Sand	5'	5'	9'
Fine Gravel	6'	7'	10'

¹This information has been extracted from the CPSC publications "Playground Surfacing—Technical Information Guide" and "Handbook for Public Playground Safety." Copies of these reports can be obtained by sending a postcard to the Office of Public Affairs, U.S. Consumer Product Safety Commission, Washington, D.C. 20207. Or call the toll-free hotline: 1-800-638-2772.

ChildLife[®]

Playsets

ChildLife Limited Lifetime
& TwoYear Warranties

Subject to proper installation and normal residential use, Escalade Sports warrants, subject to the limitations stated below, to the original retail purchaser, all chain, seats, swing hangers, hardware, metal braces, ropes and accessories to be free from defects in material and workmanship for a period of two years from date of purchase. Cracks in non-functional plastic components are not considered defects in materials and workmanship if they do not affect the functionality of the playset. Merchandise covered under this limited two-year warranty will, at our option, be repaired or replaced, excluding **any freight or labor fees that may be required.**

In addition, for the lifetime of the playset, Escalade Sports warrants, to the original retail purchaser, all wooden components against structural failure due to corrosion, wood rot, or insect infestation. **Seasonal checks and surface cracks, knotholes and knots, natural characteristics of all wooden play equipment, not resulting in structural failure, are not covered under this warranty.**

Timber is a natural material which can absorb and release moisture. Although this product is designed to minimize this effect, in certain circumstances some movement or distortion is unavoidable. During dry hot weather timber may shrink and check - this is a normal process of weathering. After the first year of service it is advisable to apply a non-toxic stain / sealant safe for children's use.

Components covered under this limited lifetime warranty will be replaced free of charge excluding freight and labor fees.

Non-residential use of the playset is prohibited and voids the warranty as the playsets are designed for residential use only.

Escalade Sports reserves the right to examine photographs and/or physical evidence of merchandise claimed to be defective, and to recover said merchandise, prior to disposition of warranty claims. Merchandise returned to our factory for examination or recovery must be shipped freight prepaid, unless a Return Authorization Number is issued.

No warranty is offered on equipment subjected to abuse, negligence, improper installation, vandalism, acts of God, unauthorized alteration or attachment to equipment other than our own, or improper use, service or repair by customer or any third party. Escalade Sports assumes no responsibility for incidental or consequential damages which may arise from the purchase or use of our equipment. Please supervise your children's play activity and maintain your play equipment periodically.

THIS WARRANTY IS EXPRESSLY IN LIEU OF ALL OTHER WARRANTIES, EXPRESSED OR IMPLIED, INCLUDING WARRANTIES OF MERCHANTABILITY OR FITNESS FOR USE. CHIDLIFE PLAYSETS DOES NOT ASSUME, OR AUTHORIZE ANY PERSON TO ASSUME FOR US, ANY OTHER LIABILITY IN CONNECTION WITH THE SALE OF OUR PRODUCTS.

For warranty service, contact:

Childlife Playsets
Escalade Sports
P.O. Box 889
Evansville, IN 47706
1-800-GO-SWING

Or E-Mail us at: playgroundcs@escaladesports.com

Revised 2014