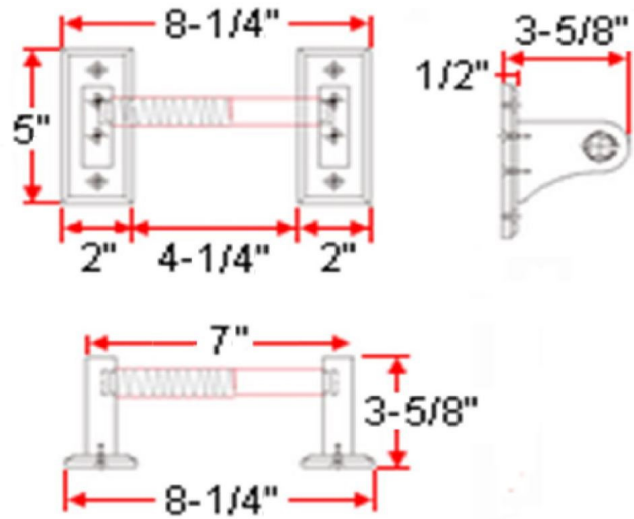


# Dalton Wall-Mounted Toilet Paper Holder

Honey Oak



## SPECIFICATIONS

MATERIAL CONSTRUCTION:	Oak Wood
PVD FINISH:	N/A
ASSEMBLY REQUIRED:	Yes
TOOLS NEEDED FOR INSTALLATION:	Electric drill, Hammer, Screwdriver
ASSEMBLED DIMENSIONS:	3.62" H x 6.14" L x 5" D
ASSEMBLED WEIGHT:	N/A
MIN. LENGTH:	N/A
MAX LENGTH:	N/A
SCREWS INCLUDED:	Yes
DRYWALL ANCHORS INCLUDED:	Yes
CENTER TO CENTER:	N/A

WARRANTY:	1-Year limited warranty
LEGAL FOR SALE IN CALIFORNIA:	Yes
ADA COMPLIANT:	Yes



TYPE:  
JOB:  
ORDER CODE:  
APPROVALS: