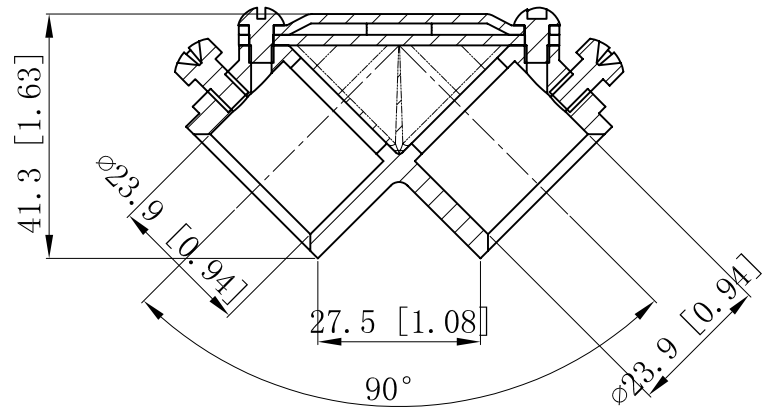
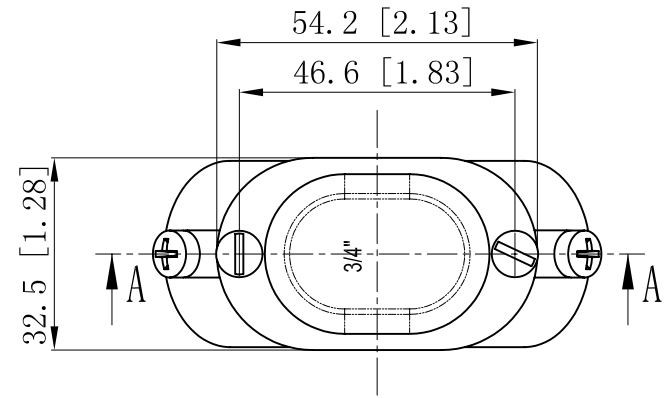
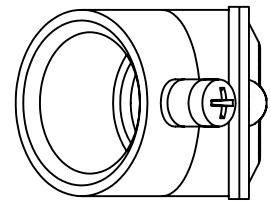
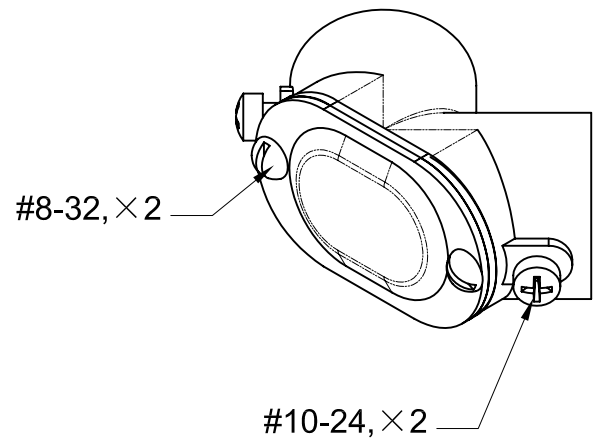


SIDES	BOTTOM
Material: #3 ZAMAK	
2 Pcs #8-32×1/4 screw install	
2 Pcs #10-24×5/16 screw install	



CUTAWAY VIEW A-A



DESCRIPTION
TRADE REFERENCE TERMS

STANDARD PACKING
10 PCS

This data sheet is for reference only .GARVIN INDUSTRIES reserves the right to make changes to the design without prior notice.

GARVIN INDUSTRIES		
TITLE RED PULL EIBOWS, 90°		
SIZE A4	DWG NO. PESS-75	REV
DATA SHEET		