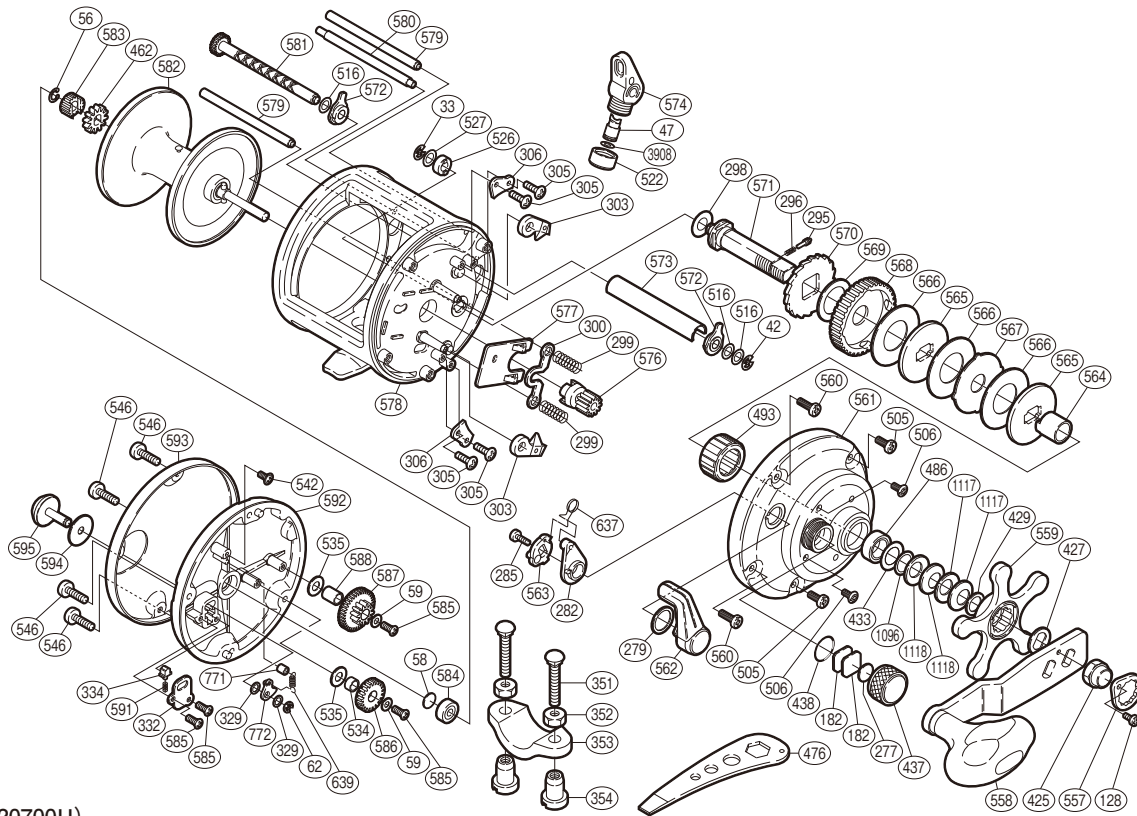


# SHIMANO TEKOTA

## TEK-700



(51RJ220700U)

#	Part No.	Description	#	Part No.	Description	#	Part No.	Description
33	105NG	Drive Shaft Retainer	505	10LZ5	Right Side Plate Screw (C)	580	10BKU	Stabilizer Bar B
42	105NE	Worm Shaft Retainer	506	10LF9	Right Side Plate Screw (B)	581	10KC6	Worm Shaft
47	10FJ9	Line Guide Pawl	516	10HV6	Worm Shaft Spacer	582	10NPH	Spool Assembly
56	105SA	Idle Gear A Retainer	522	10FJP	Pawl Cap	583	10AQC	Idle Gear A
58	10GEU	Spacer B	526	10BPW	Drive Shaft Bushing	584	105C8	Ball Bearing
59	104H5	Lock Washer	527	10D66	Drive Shaft Washer (A)	585	103DH	Multi-Purpose Screw
62	105NK	Click Pawl Retainer	534	10NXJ	Idle Gear B Support	586	10NXH	Idle Gear B
28	10QG0	Handle Nut Plate Screw	535	10G4P	Spacer A	587	10NXL	Idle Gear D
82	105N0	Cast Control Spacer (A)	542	10K8T	Click Pawl Spring Screw	588	10NXN	Idle Gear D Support
277	10896	Cast Control Spacer (B)	546	10L9T	Left Side Plate Screw	591	104MU	Click Spring
279	10JYS	Smoother	557	10LME	Handle Nut Plate	592	10503	Left Side Plate
282	10L29	Eccentric Cam Bushing	558	10B1S	Handle Assembly	593	10NV5	Left Side Plate Cover
285	10F8M	Clutch Lever Screw	559	10HMT	Star Drag	594	1054L	Spacer (A)
295	109ZZ	Click Pin	560	10M6Z	Right Side Plate Screw (A)	595	1050K	Click Button
296	10HZ5	Click Spring	561	10HKA	Right Side Plate	637	10LYH	Clutch Spring
298	10588	Drive Shaft Washer (B)	562	10LYU	Clutch Lever	639	10NRR	Click Pawl Spring
299	104BY	Yoke Spring	563	10HMC	Clutch Cam	462	104F2	Click Gear
300	10481	Yoke	564	10MB0	Roller Clutch Inner Tube	771	10549	Click Pawl Spring Boss Ring
303	10MWB	Anti-Reverse Pawl	565	109F2	Key Washer	772	10LER	Click Pawl
305	103CK	Anti-Reverse Pawl Screw	566	10KZT	Drag Washer (B)	1117	109PG	Drag Spring Washer (10l)
306	10KNW	Anti-Reverse Pawl Keeper	567	10LNC	Eared Washer	1118	109L9	Drag Spring Washer (10h)
329	109RC	Spacer (B)	568	109DJ	Drive Gear	1096	10HWS	Washer
332	104B6	Click Spring Retainer	569	109SS	Drag Washer (A)	3908	10TZF	Spacer
334	104B8	Click Spring Holder	570	109BH	Anti-Reverse Ratchet			
425	10FT6	Handle Nut	571	10995	Drive Shaft	351	10A7A	Rod Clamp Bolt (accessory)
427	107QX	Drive Shaft Shield	572	10HT4	Worm Bushing	352	105N9	Rod Clamp Nut B (accessory)
429	10J1R	Star Drag Washer	573	10HVZ	Level Wind Guard	353	10AR5	Rod Clamp (accessory)
433	105U6	Bearing Seal	574	10KCR	Line Guide	354	1046P	Rod Clamp Nut A (accessory)
437	10KTE	Cast Control Cap	576	10AHF	Pinion Gear			
438	108WK	O Ring	577	10P95	Yoke Plate	476	10MJ5	Wrench (accessory)
486	10KX6	Ball Bearing	578	10LLB	One-Piece Frame			
493	10F5B	Roller Clutch Bearing	579	10HX9	Stabilizer Bar A			

Please note that the number of adjusting washers may not be the same as shown in the exploded views.  
(Adjustment will vary with each individual product.)

(240625)\_002