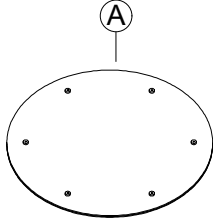


WINSTON DINING TABLE ASSEMBLY INSTRUCTIONS

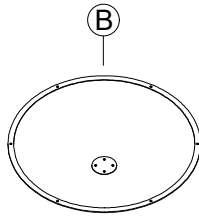


PARTS PACKING CONFIGURATION

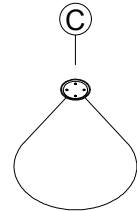
BOX #1
A. ROUND TOP



BOX #2
B. TABLE TOP BASE



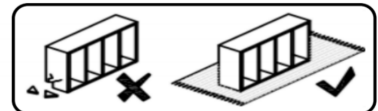
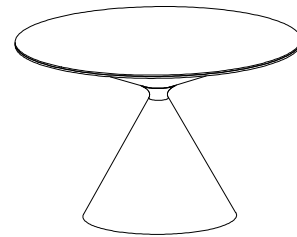
BOX #3
C. TABLE BASE



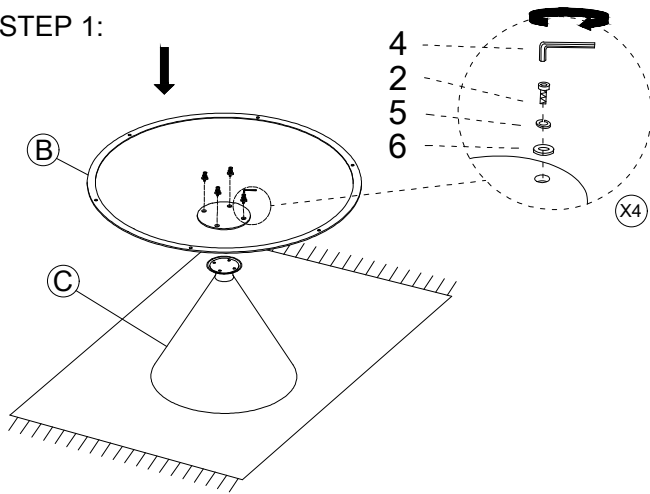
HARDWARE KIT PACKED IN BOX #3

FULLY ASSEMBLED

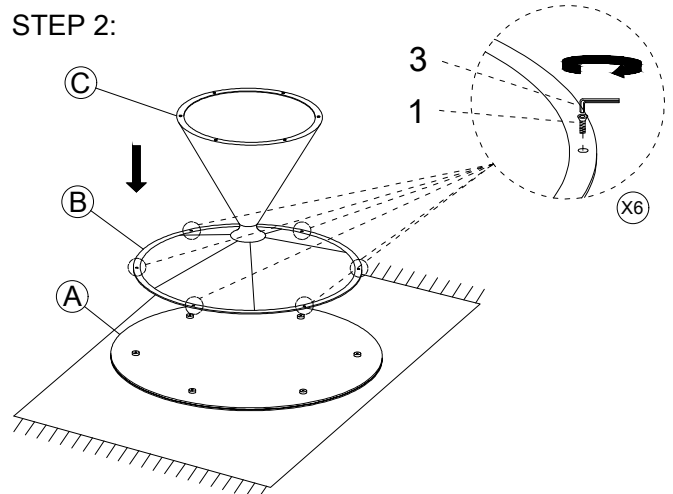
NO.	DESCRIPTION	IMAGE	QUANTITY
1	ALLEN BOLT (8x12MM)		6 PCS
2	ALLEN BOLT (8x30MM)		4 PCS
3	ALLEN KEY (M5)		1 PC
4	ALLEN KEY (M6)		1 PC
5	SPRING WASHER (M8)		4 PCS
6	FLAT WASHER (M8)		4 PCS



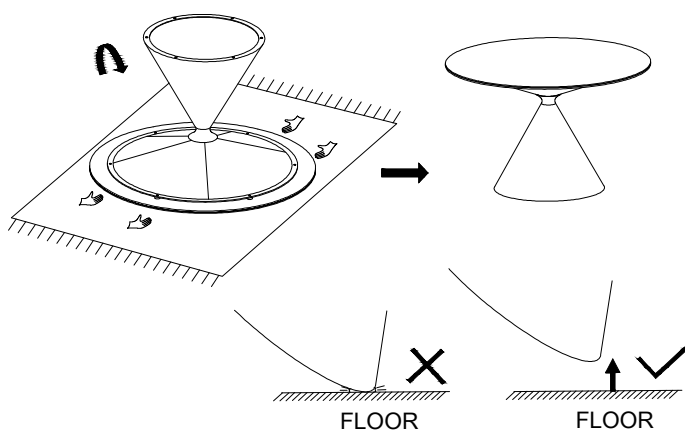
STEP 1:



STEP 2:



STEP 3:



ASSEMBLY COMPLETE

