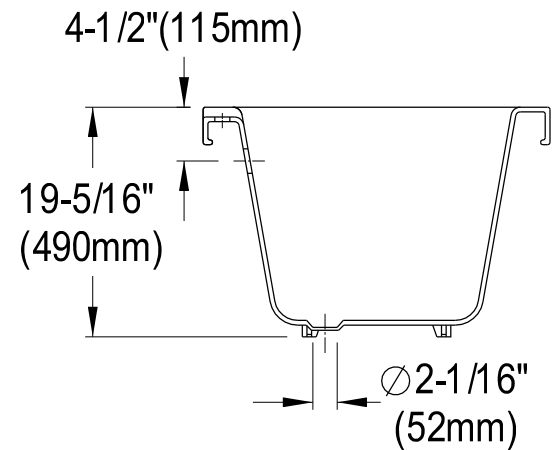
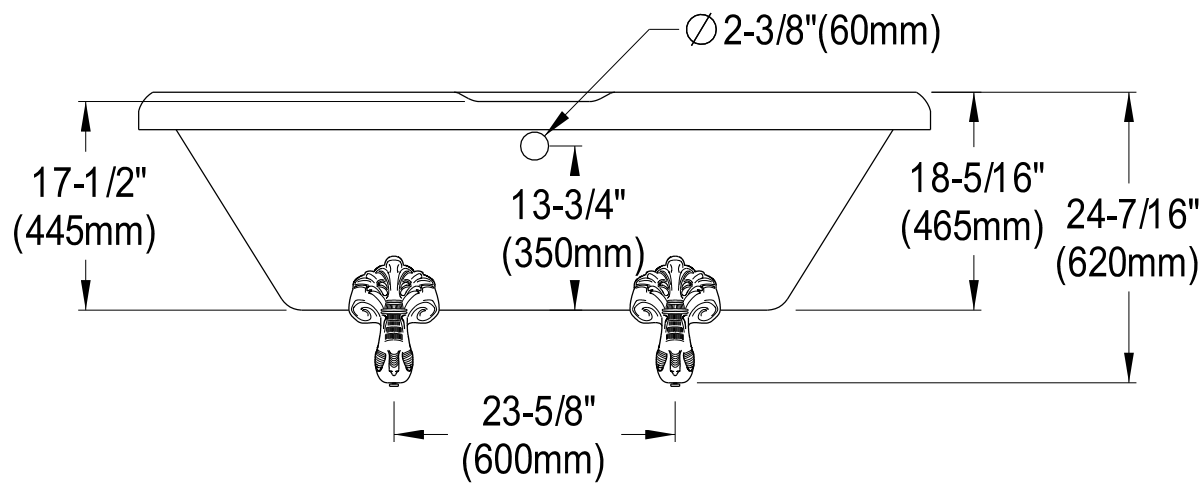
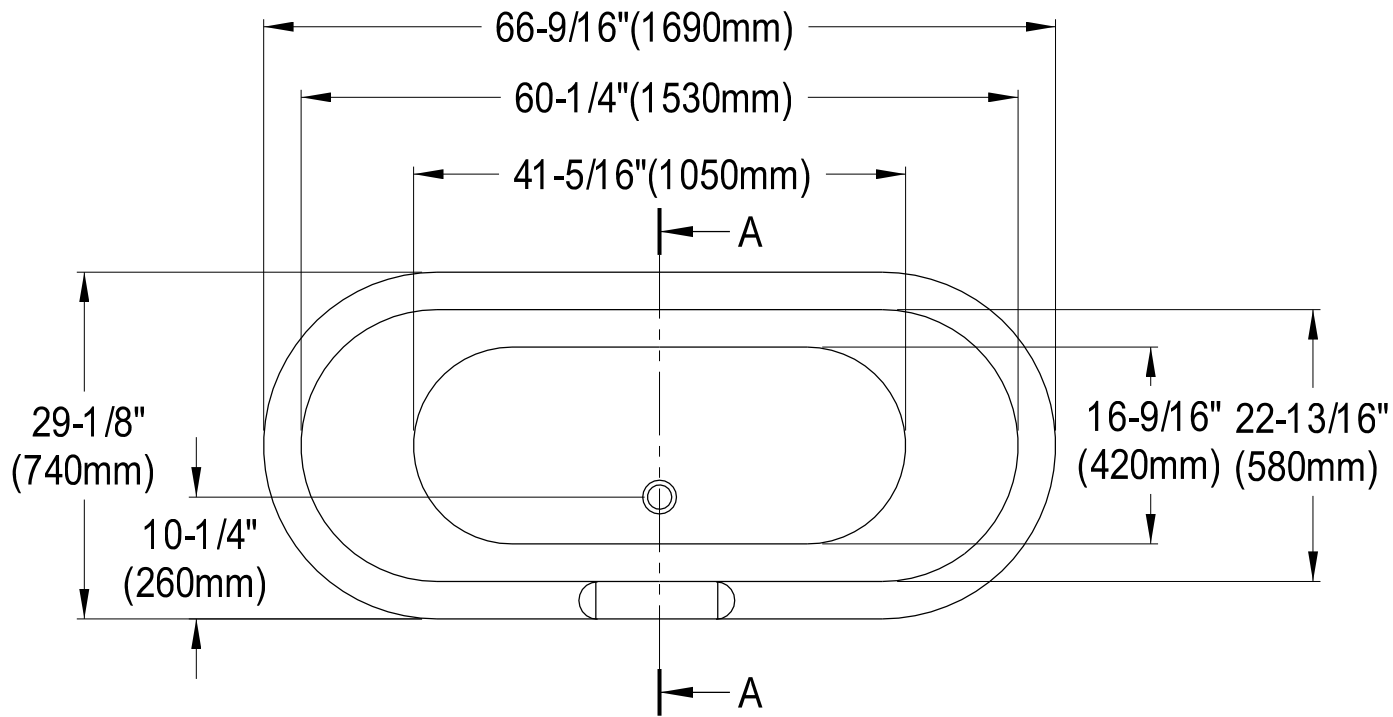


VTDS673023H1,2,5,8

67" Acrylic Clawfoot Bathtub



Section A-A