

AXOR Universal Accessories

Tumbler

Finishes : **chrome** Part no. : **42834000**



Description

Features

- Glass, Metal
- Wall-mounted
- Adaptor set #42870000 must be used when installing on a rail

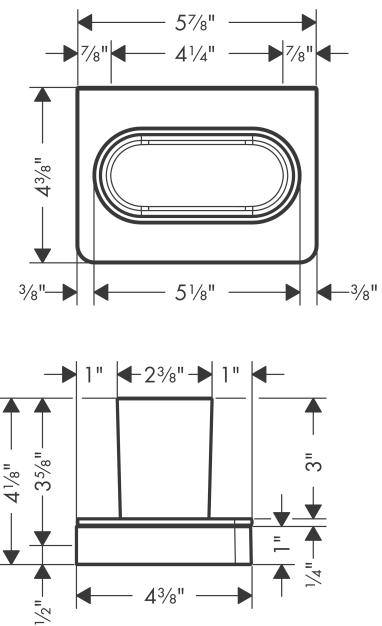
Design awards



Product image



Scale drawing



AXOR Universal Accessories

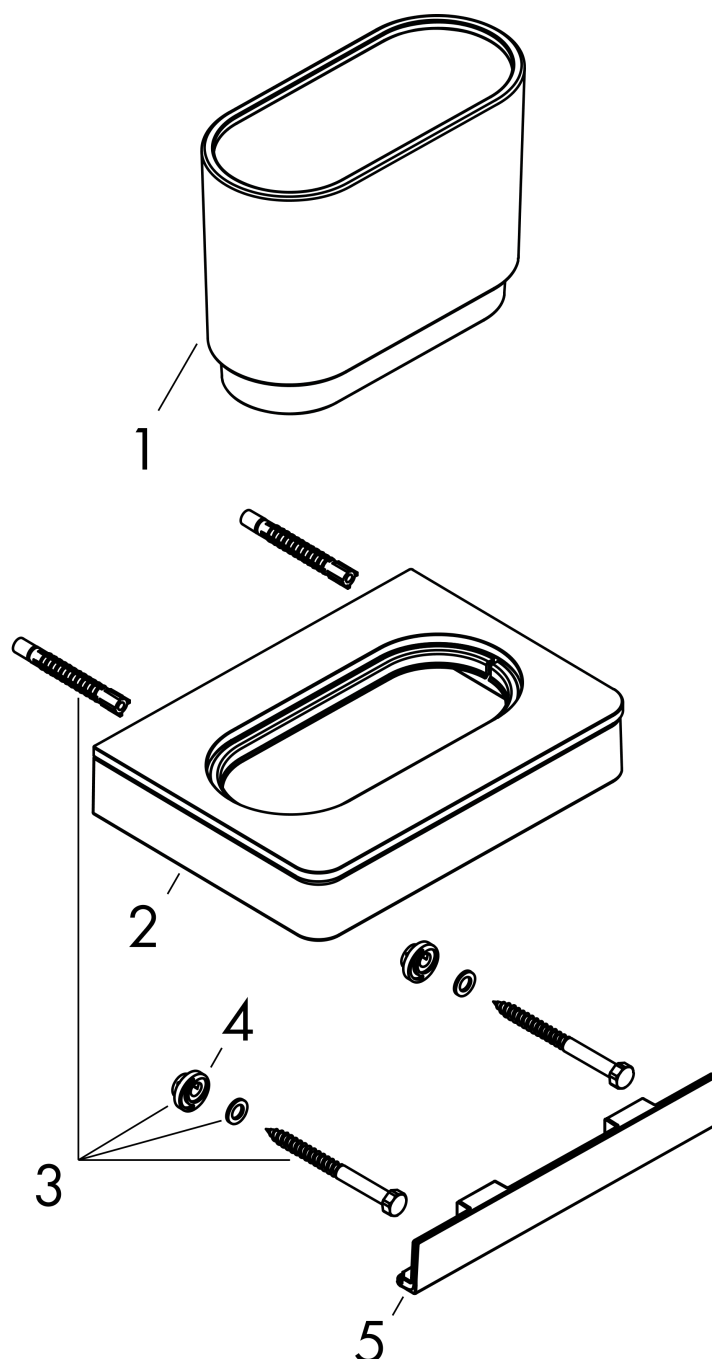
Tumbler

Finishes : **chrome** Part no. : **42834000**



Exploded drawing

Year of production: >11/14



AXOR Universal Accessories

Tumbler

Finishes : **chrome** Part no. : **42834000**



Spare parts list

Year of production: >11/14

Pos.	Description	Part no.	PC	PU
1	tumbler on its own	92436000	0	1
2	support element	92458000	0	1
3	mounting set	92841000	0	1
4	excentric socket	97604000	0	1
5	cover	92427000	0	1
a	set of adapters	42870000	0	1