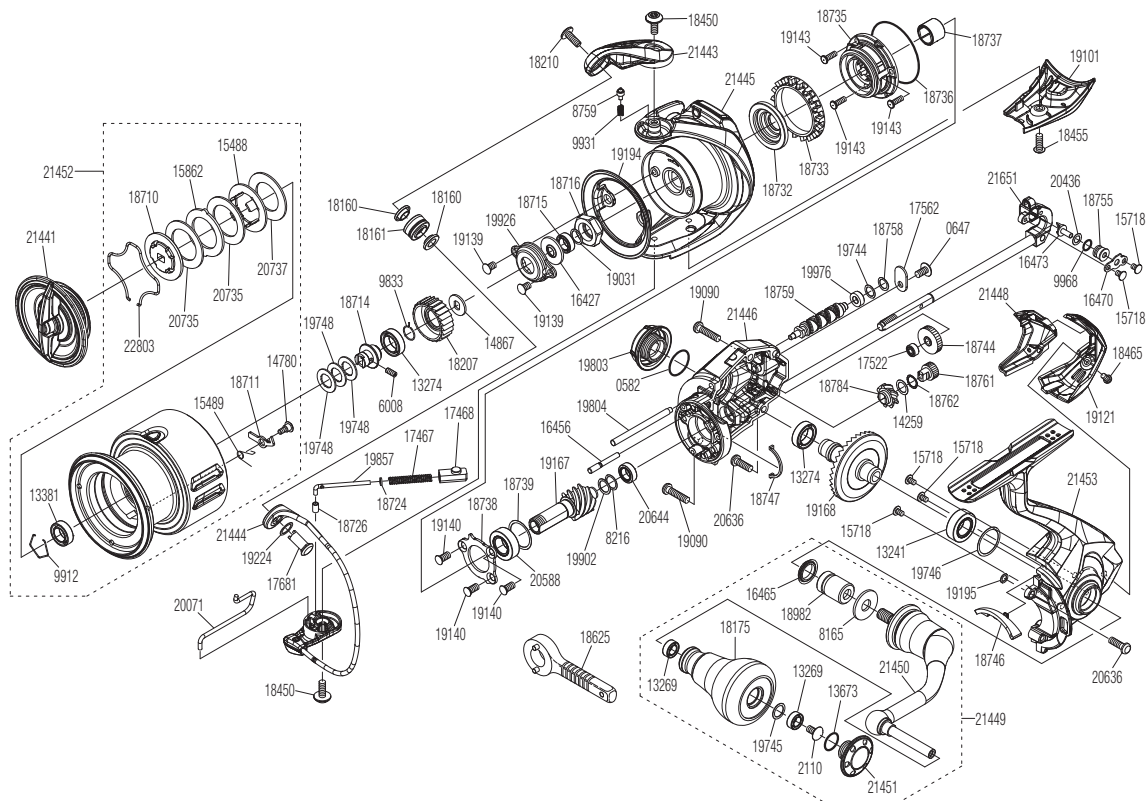


SHIMANO

TWIN POWER XD



TPXD-C3000XG



Please note that the number of adjusting washers may not always be the same as shown in the exploded views.

(51SF47E037X)

Please note that your actions take full responsibility when you take it apart.

| # | Part No. | Description | # | Part No. | Description | # | Part No. | Description |
|-------|----------|------------------------|-------|----------|-------------------------------|-------|----------|-------------------------|
| 0582 | 108WH | O Ring | 18711 | 10TJX | Drag Click Screw | 19902 | 10DJ1 | Washer |
| 0647 | 10QG5 | Screw | 18714 | 10DKF | Spool Bearing Bushing | 19926 | 1076N | Nut Lock Plate |
| 2110 | 103E9 | Screw | 18715 | 10TD2 | Main Shaft Spacer Assembly | 19976 | 1009C | Bushing |
| 6008 | 10PN2 | Set Screw | 18716 | 101CY | Rotor Nut | 20071 | 101VW | Bail Trip Lever |
| 8165 | 10FJ6 | Washer | 18724 | 101D9 | Spring Guide A Support Collar | 20436 | 100CW | Washer |
| 8216 | 10HV4 | Spacer | 18726 | 10DKC | Ball Spring Guide A Bush | 20588 | 10R77 | Ball Bearing |
| 8759 | 106X4 | Click Pin | 18732 | 101D5 | Rotor Ring | 20636 | 10M2A | Screw |
| 9833 | 107V2 | Ratchet Spring | 18733 | 10DK7 | Friction Ring | 20644 | 10RKR | Ball Bearing |
| 9912 | 10GEW | Bearing Retainer | 18735 | 10S2L | Roller Clutch Assembly | 20735 | 10E66 | Drag Washer A |
| 9931 | 10CGZ | Click Spring | 18736 | 10DKD | Roller Clutch Case Seal | 20737 | 10E6E | Drag Washer B |
| 9968 | 108W9 | O Ring | 18737 | 10DJY | Roller Clutch Inner | 21441 | 10E8C | Drag Knob Assembly |
| 13241 | 104JD | Ball Bearing | 18738 | 10DJZ | Bearing Retainer | 21443 | 10E8H | Bail Arm |
| 13269 | 104VX | Ball Bearing | 18739 | 10RYR | Washer | 21444 | 10T11 | Bail Assembly |
| 13274 | 104PP | Ball Bearing | 18744 | 10DK0 | Idle Gear | 21445 | 10T0W | Rotor Assembly |
| 13381 | 104JT | Ball Bearing | 18746 | 10DJK | Bail Trip Strike | 21446 | 10RDF | Body |
| 13673 | 10LAA | O Ring | 18747 | 10DKA | Flange Water Proof | 21448 | 10RDB | Rear Shield |
| 14259 | 10G6C | Washer | 18755 | 101BY | Oscillating Slider Bushing | 21449 | 10EDJ | Handle Assembly |
| 14780 | 10A6F | Screw | 18758 | 10TK0 | Washer | 21450 | 10T0Y | Handle Shank Assembly |
| 14867 | 103PE | Spool Support A | 18759 | 101CR | Worm Shaft | 21451 | 10BFJ | Handle Knob Seal |
| 15488 | 10BBQ | Key Washer A | 18761 | 10DK2 | Idle Gear (Small) | 21452 | 10SM8 | Spool Assembly |
| 15489 | 10BQE | Drag Click Spring | 18762 | 10TJT | Washer | 21453 | 10294 | Side Cover Assembly |
| 15718 | 1055G | Screw | 18784 | 10DKY | Idle Gear (Large) | 21651 | 10RAM | Main Shaft Assembly |
| 15862 | 102XW | Eared Washer | 18982 | 10070 | Handle Shaft Cover B | 22803 | 145QR | Retainer |
| 16427 | 107L2 | Bearing Water Proof | 19031 | 1026J | Washer | | | |
| 16456 | 10CLA | Idle Gear Shaft | 19090 | 100YN | Screw | | | |
| 16465 | 10PXU | Handle Shaft Seal | 19101 | 100Z7 | Bail Hold Support Guard | | | |
| 16470 | 10HAG | Oscillating Pawl Cover | 19121 | 100ZB | Rear Protector | | | |
| 16473 | 106VL | Oscillating Pawl | 19139 | 10T1G | Screw | | | |
| 17467 | 10R2P | Bail Spring | 19140 | 10TGX | Screw | | | |
| 17468 | 10R2E | Bail Spring Guide B | 19143 | 101LH | Screw | | | |
| 17522 | 106M8 | Bushing | 19167 | 10TBQ | Pinion Gear | | | |
| 17562 | 10ATC | Worm Shaft Retainer | 19168 | 100KN | Drive Gear | | | |
| 17681 | 10TPC | Line Roller Support | 19194 | 100Z5 | Rotor Brim | | | |
| 18160 | 1020L | Collar | 19195 | 10GA7 | Washer | | | |
| 18161 | 101KE | Line Roller Set | 19224 | 100ZS | Washer | | | |
| 18175 | 101AR | Handle Knob Assembly | 19744 | 100XZ | Washer | | | |
| 18207 | 10SYS | Drag Click Ratchet | 19745 | 104FH | Washer | | | |
| 18210 | 10TLJ | Screw | 19746 | 101AY | Washer | | | |
| 18450 | 10SN9 | Screw | 19748 | 10DHG | Washer | | | |
| 18455 | 10DT7 | Screw | 19803 | 10RSK | Handle Screw Cap | | | |
| 18465 | 10EF0 | Screw | 19804 | 10DVX | Oscillating Guide A | | | |
| 18710 | 10TJV | Key Washer B | 19857 | 10SAN | Bail Spring Guide | 18625 | 10NC0 | Reel Wrench (accessory) |