

SINCE 1839

BRINLY

SINCE 1839

BRINLY

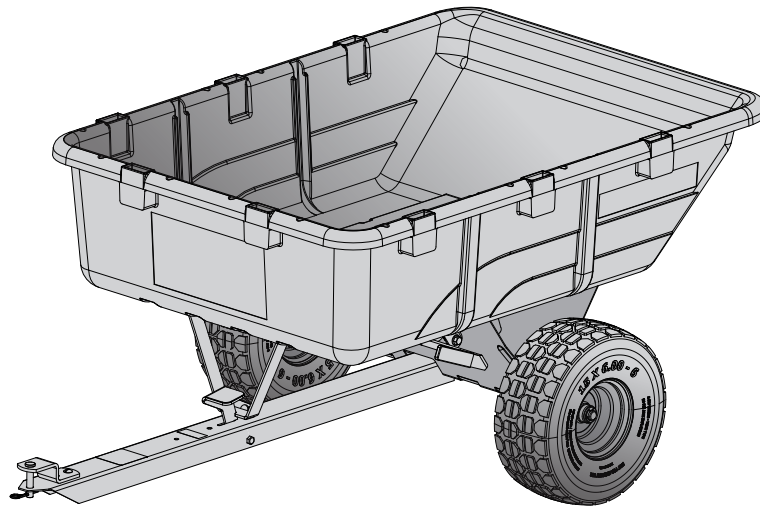
OWNER'S MANUAL

ROGER POLY CART, 10 CUBIC FOOT

MODEL:

RPC-10BH-A

- Assembly
- Installation
- Operation
- Repair Parts



This utility cart is designed
for use with lawn tractors and
lawn and garden tractors.



Call Customer Service, Toll-Free: 877-728-8224

Visit us on the web!
www.brinly.com

Important: This manual contains information for the safety
of persons and property. Read it carefully before
assembly and operation of the equipment!

INTRODUCTION AND SAFETY

CONGRATULATIONS on your new Brinly-Hardy purchase! This accessory has been designed, engineered and manufactured to give you the best possible dependability and performance.

Should you experience any problem you cannot easily remedy, please do not hesitate to contact our knowledgeable customer service department toll-free at 1-877-728-8224. We have competent, well trained technicians to help you with the assembly and use of your product.



CUSTOMER RESPONSIBILITIES

- Please read & retain this manual. The instructions will enable to assemble and maintain your product properly.
- Please carefully read and observe the SAFETY SECTION of this manual.
- Follow a regular schedule in maintaining and caring for your Brinly-Hardy product.

TABLE OF CONTENTS

Introduction, Safety and Required Tools	2 - 4
Parts	5 - 9
Assembly	10 - 20
USE AND CARE	
Specifications	21
Operation	21 - 24
Adding Side-Stakes	25 - 27
Service	27
Accessories	27
Warranty	28

RECORD PURCHASE INFORMATION

Record your purchase information in the spaces provided below:

DATE OF PURCHASE _____

COMPANY NAME _____

COMPANY PHONE _____

SERIAL NUMBER _____

TOOLS REQUIRED FOR ASSEMBLY:



- 1/2" Wrench (x2)
- 9/16" Wrench (x2)
- Flat Tip Screw Driver
- Pliers
- Gloves

SAFETY LABELS



This symbol will help to point out important safety precautions throughout this manual. It means: **ATTENTION! BECOME ALERT! YOUR SAFETY IS INVOLVED.**

The safety labels shown in this section are placed in important areas on your product to draw attention to potential safety hazards.

On your product safety labels, the words DANGER, WARNING and CAUTION are used with the safety-alert symbol. DANGER identifies the most serious hazards.

The operator's manual also explains any potential safety hazards whenever necessary in special safety messages that are identified with the word, CAUTION, and the safety-alert symbol.

SAFETY

WARNING



AVOID INJURY FROM EXPLOSION

- Do not place gas container in cart when filling

RIDERS CAN FALL OFF AND BE KILLED

- No riders in cart



GENERAL SAFETY NOTES (Operation)

Caution should be taken when towing and/or using any attachment. This attachment combined with the weight distribution, turning radius, and speed of towing vehicle can result in severe injury or death to operator, damage to towing vehicle, and/or attachment if not used properly. Follow all towing safety precautions noted in the towing vehicle owner's manual, including the following precautions:

- Ensure the combined weight of the towing vehicle (tow vehicle weight + operator weight) is greater than the maximum towed weight of attachment (empty attachment weight + weight of load).
- Do not exceed maximum towing capacity of towing vehicle.
- Do not exceed the maximum drawbar pull rating of the towing vehicle. Drawbar pull is the horizontal force required to pull the attachment (including weight of load).
- Only tow this product in the vehicle's tow mode/speed setting or less than 5 mph. Do not exceed 5 mph.
- Towing speed should always be slow enough to maintain control. Travel slowly and use caution when traveling over rough terrain. Avoid holes, rocks and roots.
- Slow down before you turn and do not turn sharply.
- Use wide turning angles to ensure the attachment follows the path of the towing vehicle.
- Do not use attachment on steep slopes. A heavy load could cause loss of control or overturn attachment and towing vehicle. Additional weights may need to be added to your vehicle; check with towing vehicle manufacturer for recommendations.
- Reduce towed weight when operating on slopes.
- Keep all movement on slopes slow and gradual. Do not make sudden changes in speed, directions, or turning.
- If you start and stop suddenly on hills, you may lose steering control or the towing vehicle may tip.
- Do not start or stop suddenly when going uphill or downhill. Avoid uphill starts.
- Slow down and use extra care on hillsides. Turf conditions can affect vehicle stability. Use extreme caution while operating near drop-offs.
- Do not drive close to creeks, ditches and public highways.
- Watch out for traffic when crossing near roadways.

SAFETY

GENERAL SAFETY NOTES (Operation)

- Use care when loading or unloading the vehicle into a trailer or truck.
- The attachment can obstruct the view to the rear. Use extra care when operating in reverse.
- When reversing, carefully back-up straight to avoid jackknifing. Do not allow towing vehicle wheels to contact attachment draw bar. Damage could result.
- Stop on level ground, disengage drives, set the parking brake, and shut off engine before leaving the operator's position for any reason including emptying the attachment.
- Use this attachment for intended purpose only.
- This attachment is intended for use in lawn care and home applications. Do not tow behind a vehicle on a highway or in any high speed applications.
- Do not tow at speeds higher than the maximum recommended towing speed.
- Do not tow this product behind a motor vehicle such as a car or truck.
- Always wear substantial footwear. Do not wear loose fitting clothing that can get caught in moving parts.
- Keep your eyes and mind on your towing vehicle, attachment and area being covered. Do not let other interests distract you.
- Stay alert for holes and other hidden hazards in the terrain
- Keep the towing vehicle and attachment in good operating condition and keep safety devices in place.
- The towing vehicle and attachment should be stopped and inspected for damage after striking a foreign object. Any damage should be repaired before restarting and operating the equipment.
- Keep all parts in good condition and properly installed. Fix damaged parts immediately. Replace worn or broken parts. Replace all worn or damaged safety and instruction decals. Keep all nuts, bolts and screws tight.
- Do not modify the attachment or safety devices. Unauthorized modifications to the towing vehicle or attachment may impair its function, safety and void the warranty.

KEEP RIDERS OFF TOWED ATTACHMENT AND TOWING VEHICLE

- Do not carry passengers.
- Do not let anyone, especially children, ride in/on this attachment, the towing vehicle or hitch bracket.
- Riders are subject to injury such as being struck by foreign object and/or being thrown off during sudden starts, stops and turns.
- Riders may also obstruct the operator's view resulting in this attachment being operated in an unsafe manner.

TOWING VEHICLE AND TOWING SAFELY

- Know your towing vehicle controls and how to stop safely. **READ YOUR TOWING VEHICLE OWNER'S MANUAL** before operating.
- Check the towing vehicle brake action before you operate. Adjust or service brakes as necessary.
- Stopping distance increases with speed and weight of towed load. Travel slowly and allow extra time and distance to stop.
- Use only approved hitches. Tow this attachment only with a towing vehicle that has a hitch designed for towing. Do not connect this attachment except at the approved hitch point.
- Follow the tow vehicle manufacturer's recommendations for weight limits for towed equipment and towing on slopes. Use counterweights or wheel weights as described in the towing vehicle operator's manual.
- Do not shift to neutral and coast downhill.
- Do not allow children to operate the towing vehicle. Do not allow adults to operate the towing vehicle without proper instruction or without having read the owner's manual.

PROTECT THOSE AROUND YOU

- Before you operate any feature of this attachment or towing vehicle, observe your surroundings and look for bystanders.
- Keep children, bystanders and pets at a safe distance away while operating this or any attachment.
- Use care when reversing. Before you back up, look carefully behind for bystanders.

POLY CART SPECIFIC SAFETY INSTRUCTIONS

- Do not tow cart with bed raised.

Installation Questions?
Missing Parts? Replacement Parts?

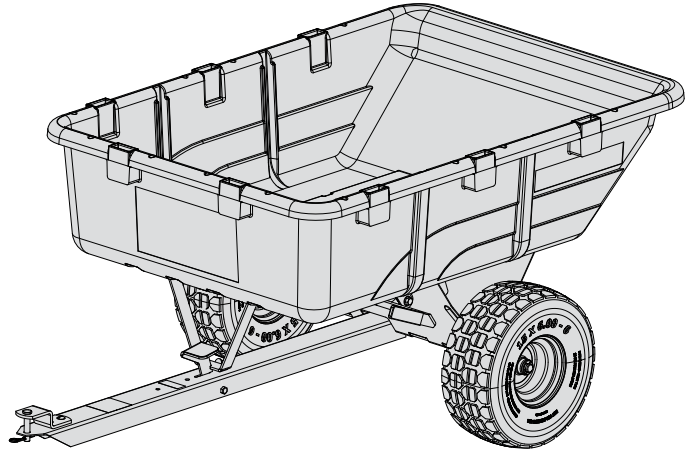
**DON'T GO BACK TO
THE STORE!**

Please call our Customer Service
Department, Toll Free: 877-728-8224
or customerservice@brinly.com



PART LIST

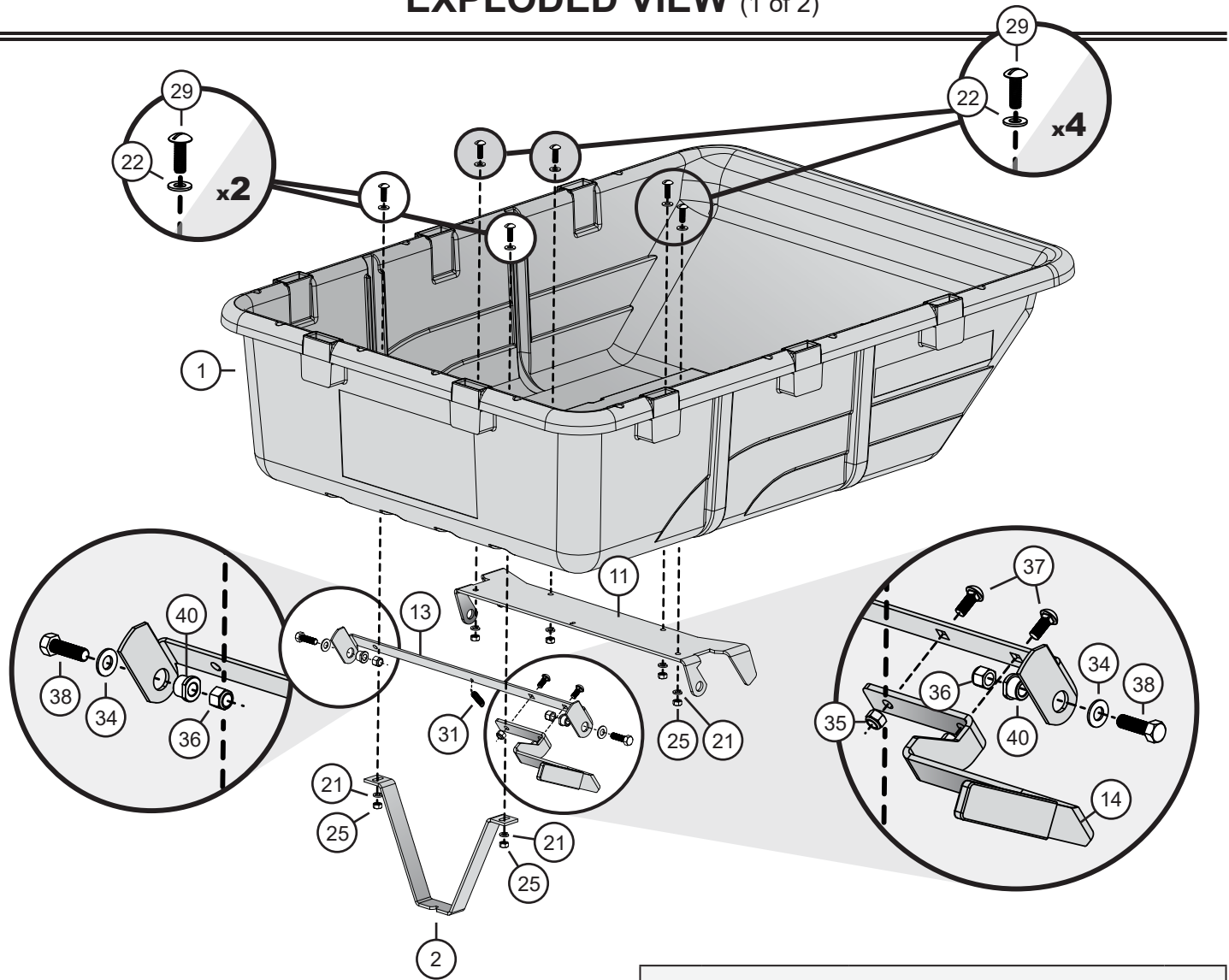
Ref.	Part #	Description	Qty.
1	1020336SER	Cart Bed; Poly RPC-10BH-A	1
4	1020374	Draw Bar; Poly Cart	1
6	B-4261	Axle, 3/4" x 34-3/4"	1
7	B-4599-10	Axle Support	1
8	1008575	Wheel; Pneumatic	2
9	1018697-10	Right Pivot Arm	1
10	1018698-10	Left Pivot Arm	1



1019851		INNER PACK #1	
2	B-3520-10	Lock Bracket	1
3	1008604	Foot Pedal	1
5	B-3034-10	Clevis	1
N/A	Z-1737	Hardware Skin Pack <i>* illustrated on page 8</i>	1
<hr/>			
21	40M1000P	- Washer; Lock, 5/16"	12
22	45M1111P	- Washer; Flat, 5/16"	10
24	B-5606	- Bushing; Machine	4
25	30M1000P	- Nut; Reg Hex, 5/16"-18	12
26	B-1675P	- Nut; Hex Lock, 3/8"-16	1
27	B-6299	- Nut; Keps Hex, 3/8-16	2
28	B-6298	- Bolt; Hex Head, 3/8 x 3-3/4	1
29	20M1016P	- Screw; Round Head Machine, 5/16" x 1"	12
30	B-4305	- E-Ring; Retaining, 3/4"	2
31	B-6300	- Spring; Latch	1
32	B-3861	- Pin; Hitch, 1/2" x 2-1/2"	1
33	D-146P	- Hairpin Cotter, 1/8"	1
<hr/>			
<i>Extra parts in Skin Pack that are not needed:</i>			
	1007732	- Washer; Nylon	4
	R-618	- Washer; Special	2

1020347		INNER PACK #2	
11	1018681-10	Rocker Base	1
12	1018687-10	Axle Support Bracket	1
13	1018682-10	Rocker Motion Bracket	1
14	1018881	Rocker Handle	1
15	1018684-10	Rear Pivot Bracket	2
N/A	1020338	Hardware Bag <i>* illustrated on page 9</i>	1
<hr/>			
21	40M1000P	- Washer; Lock, 5/16"	6
34	45M1313P	- Washer; Flat, 3/8"	2
25	30M1000P	- Nut; Reg Hex, 5/16"-18	6
35	B-4786	- Nut; Nylon Lock, 5/16"-18	2
36	B-4820	- Nut; Nylon Lock, 3/8"-16	4
37	11M1016P	- Bolt; Carriage, 5/16" x 1"	8
38	2M1220P	- Bolt; Hex Head, 3/8" x 1-1/4"	2
39	2M1248P	- Bolt; Hex Head, 3/8" x 3"	2
40	1001301	- Spinner Shaft Bushing, 3/8"	2
31	B-6300	- Spring; Latch	1
41	R-1882	- Grip; Flat	1

EXPLODED VIEW (1 of 2)

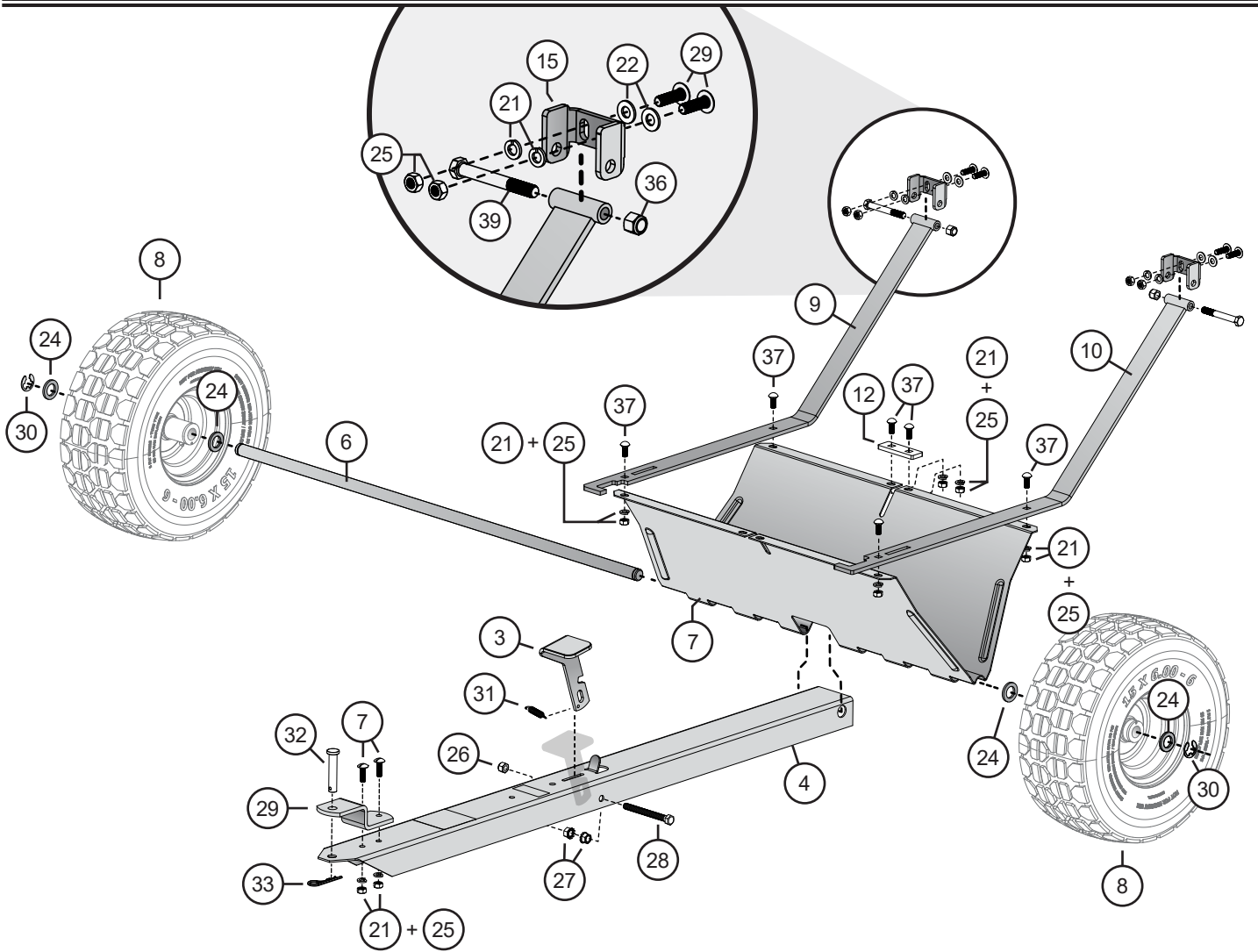


Ref.	Part #	Description	Qty.
1	1020336SER	Cart Bed; Poly RPC-10BH-A	1
4	1020374	Draw Bar; Poly Cart	1
6	B-4261	Axle, 3/4" x 34-3/4"	1
7	B-4599-10	Axle Support	1
8	1008575	Wheel; Pneumatic	2
9	1018697-10	Right Pivot Arm	1
10	1018698-10	Left Pivot Arm	1

1019851	INNER PACK #1	Qty.
2	B-3520-10 Lock Bracket	1
3	1008603 Foot Pedal	1
5	B-3034-10 Clevis, BIK.	1
N/A	Z-1737 Hardware Skin Pack <i>* contents on page 5</i> <i>* illustrated on page 8</i>	1

1020347	INNER PACK #2	Qty.
11	1018681-10 Rocker Base	1
12	1018687-10 Axle Support Bracket	1
13	1018682-10 Rocker Motion Bracket	1
14	1018683-10 Rocker Handle	1
15	1018684-10 Rear Pivot Bracket	2
N/A	1020338 Hardware Bag <i>* contents on page 5</i> <i>* illustrated on page 9</i>	1

EXPLODED VIEW (2 of 2)



Ref.	Part #	Description	Qty.
1	1020336SER	Cart Bed; Poly RPC-10BH-A	1
4	1020374	Draw Bar; Poly Cart	1
6	B-4261	Axle, 3/4" x 34-3/4"	1
7	B-4599-10	Axle Support	1
8	1008575	Wheel; Pneumatic	2
9	1018697-10	Right Pivot Arm	1
10	1018698-10	Left Pivot Arm	1

1019851	INNER PACK #1		Qty.
2	B-3520-10	Lock Bracket	1
3	1008603	Foot Pedal	1
5	B-3034-10	Clevis, Blk.	1
N/A	Z-1737	Hardware Skin Pack * contents on page 5 * illustrated on page 8	1

1020347	INNER PACK #2		Qty.
11	1018681-10	Rocker Base	1
12	1018687-10	Axle Support Bracket	1
13	1018682-10	Rocker Motion Bracket	1
14	1018683-10	Rocker Handle	1
15	1018684-10	Rear Pivot Bracket	2
N/A	1020338	Hardware Bag * contents on page 5 * illustrated on page 9	1

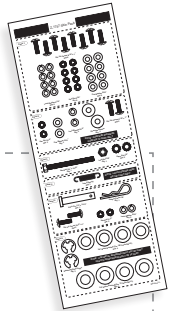
HARDWARE IDENTIFIER

Illustrations on this page are to scale for faster identification of hardware during assembly.

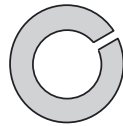
DO NOT RETURN PRODUCT IF YOU ARE MISSING PARTS.

Please Call: 1 (877) 728-8224

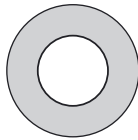
Contents of this page can be found in: **Hardware Skin Pack Z-1737** 



21 Washer: Lock
5/16" (x12)
40M1000P



22 Washer: Flat
5/16" (x10)
45M1111P



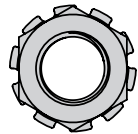
25 Nut: Hex Head
5/16" -18 (x12)
30M1000P



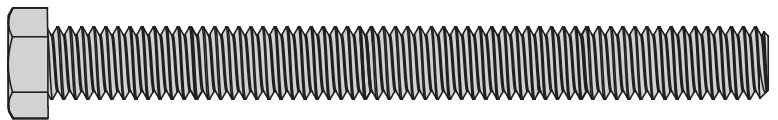
26 Nut: Lock
3/8" -16 (x1)
B-1675P



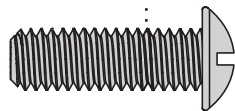
27 Nut: Keps
3/8" (x2)
B-6299



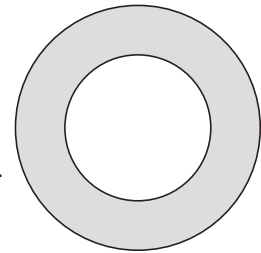
28 Bolt: Hex Head
3/8 x 3 3/4" (x1)
B-6298



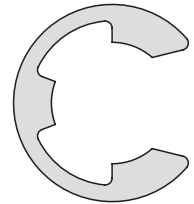
29 Screw: Round Head
5/16 x 1" (x12)
20M1016P



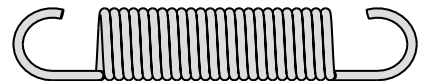
24 Machine
Bushing (x4)
B-5606



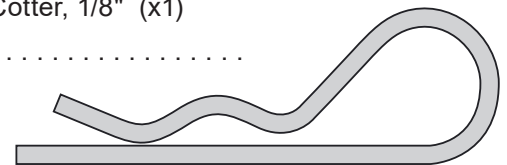
30 Retaining Ring, E
3/4" (x2)
B-4305



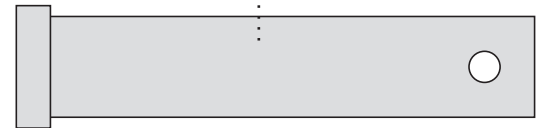
31 Spring, Latch (x1)
B-6300
.....



33 Hairpin Cotter, 1/8" (x1)
D-146P
.....



32 Hitch Pin;
1/2" x 2 1/2" (x1)
B-3861



EXTRA PARTS:

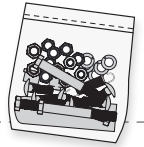
A few extra parts will be leftover that are not used on this model.
(3/4" Nylon Washer - Qty. 4) and (3/8" Special Washer - Qty. 2)

HARDWARE IDENTIFIER

Illustrations on this page are to scale for faster identification of hardware during assembly.

DO NOT RETURN PRODUCT IF YOU ARE MISSING PARTS.
Please Call: 1 (877) 728-8224

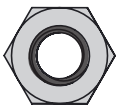
Contents of this page can be found in: **Hardware Bag 1020338**



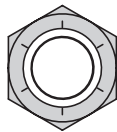
25 Nut: Hex Head
5/16" (x6)
30M1000P



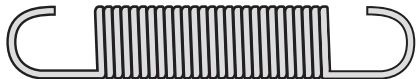
35 Nut: Nylon Lock
5/16" (x2)
B-4786



36 Nut: Nylon Lock
3/8" (x4)
B-4820



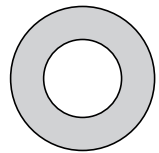
31 Spring (x1)
B-6300




21 Washer: Lock
5/16" (x6)
40M1000P



34 Washer: Flat
3/8" (x2)
45M1313P

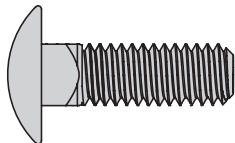


 Exterior circumferences of the washers can vary. These dimensions are a measurement of the internal diameter of the washer.

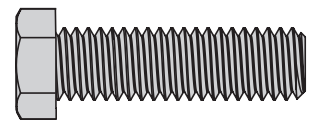
40 Bushing; Hex Head
3/8" x 1/2" (x2)
1001301



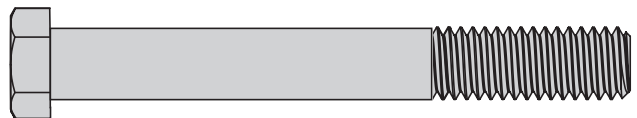
37 Bolt; Carriage
5/16 x 1" (x8)
11M1016P



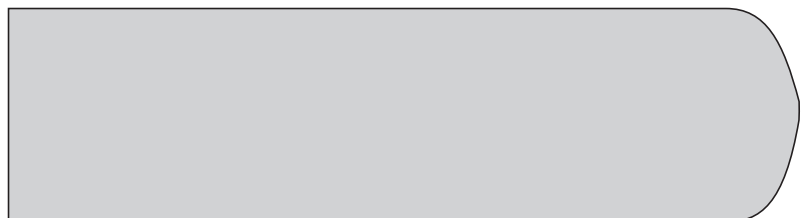
38 Bolt; Hex Head
3/8 x 1 1/4" (x2)
2M1220P



39 Bolt: Hex Head 3/8 x 3" (x2)
2M1248P



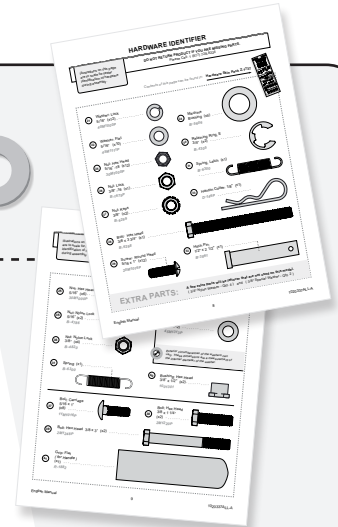
41 Grip: Flat
(for Handle)
(x1)
R-1882




ASSEMBLY

Assembly Tip

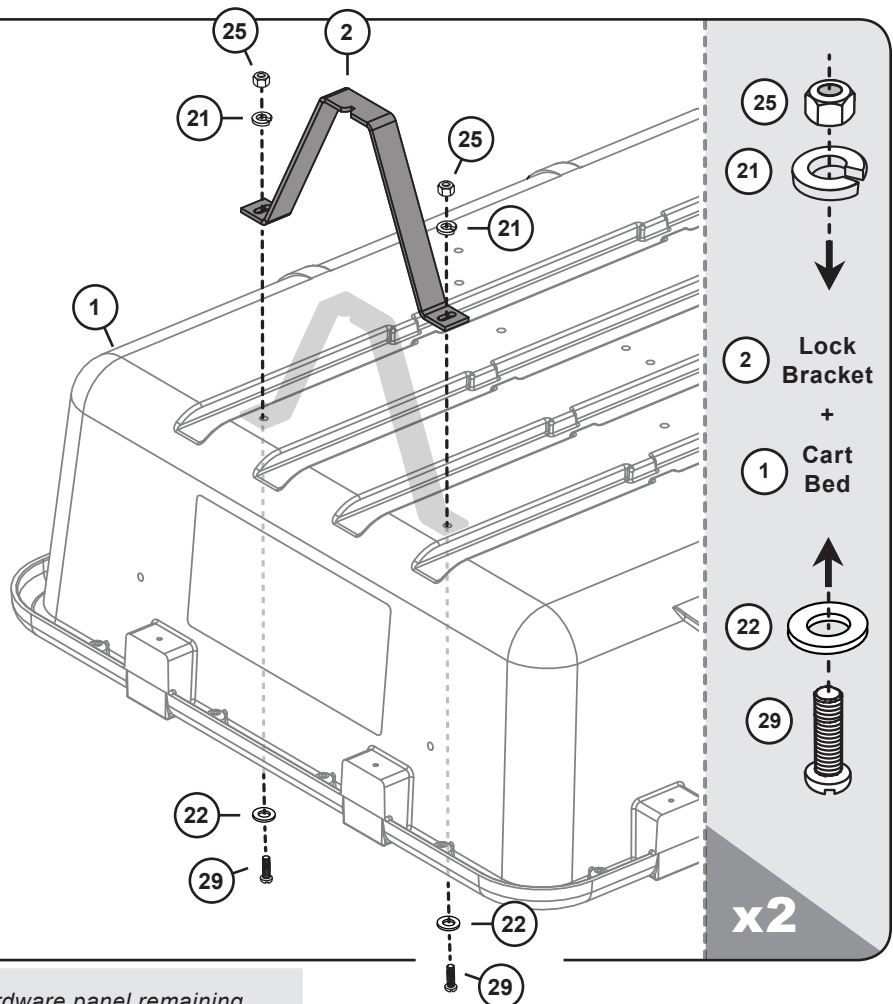
- **Illustrations on pages 8-9 are to-scale.** For faster identification of the hardware during assembly, simply lay the hardware on top of these illustrations.
- This product comes with a skin pack as well as a bag of hardware. The source of hardware needed (skin pack or bag) will be marked on each step. *NOTE: There will be a few extra /unnecessary pieces of hardware in the skinpack.*
- Scan this QR code or visit our website for additional info and videos: **brinly.com**



Step 1 Install Lock Bracket

 Skin Pack Panel 2

1. Add a 5/16 Flat Washer (22) to two of the Slotted Head 5/16 Screws (29).
These screws will run through the bed of the cart (1) from inside to attach the lock bracket (2) on the next step.
2. Place the Lock Bracket (2) on cart as illustrated,
NOTE: Make sure notch on lock bracket is facing to the front of the cart.
3. Add two 5/16 in. Lock Washers (21) as well as two 5/16 in. Nuts (25). *Tighten nuts.*



NOTE: There will be two washers in this hardware panel remaining. These are unnecessary for this model, please disregard.

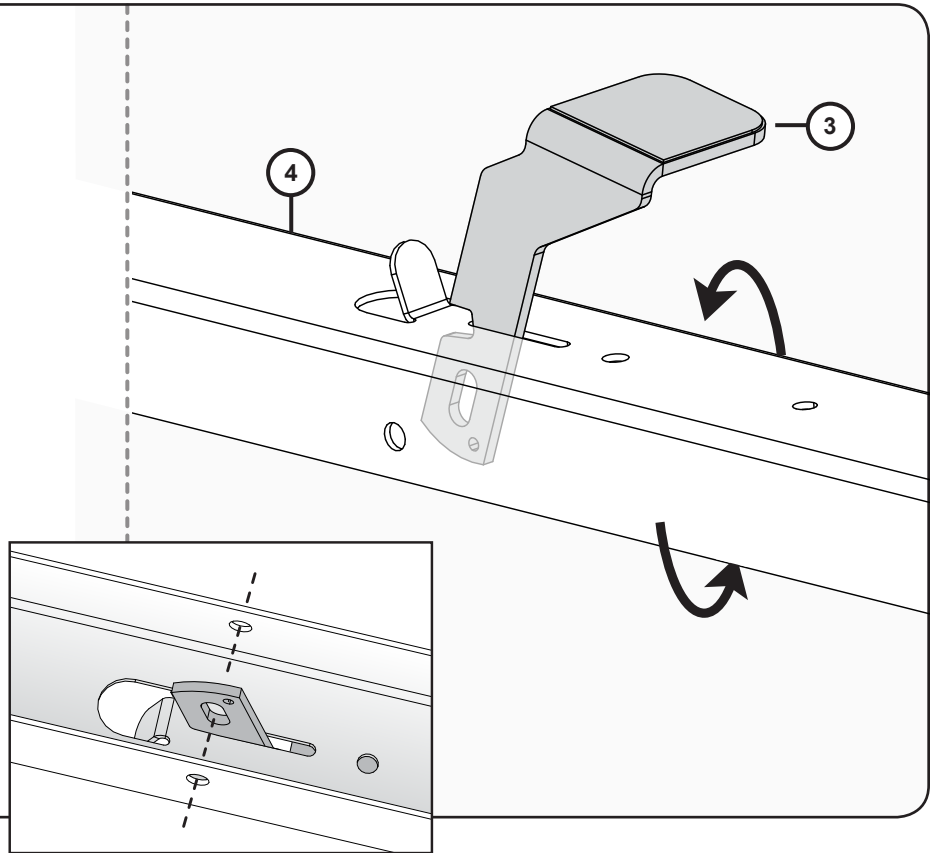
ASSEMBLY

Step 2-A


1. Align the cart foot pedal (3) through slot in drawbar (4) with the notch in the foot pedal oriented towards the raised tongue on the drawbar.

See illustration.

2. While holding the foot pedal (3) in place, flip the drawbar (4) over.



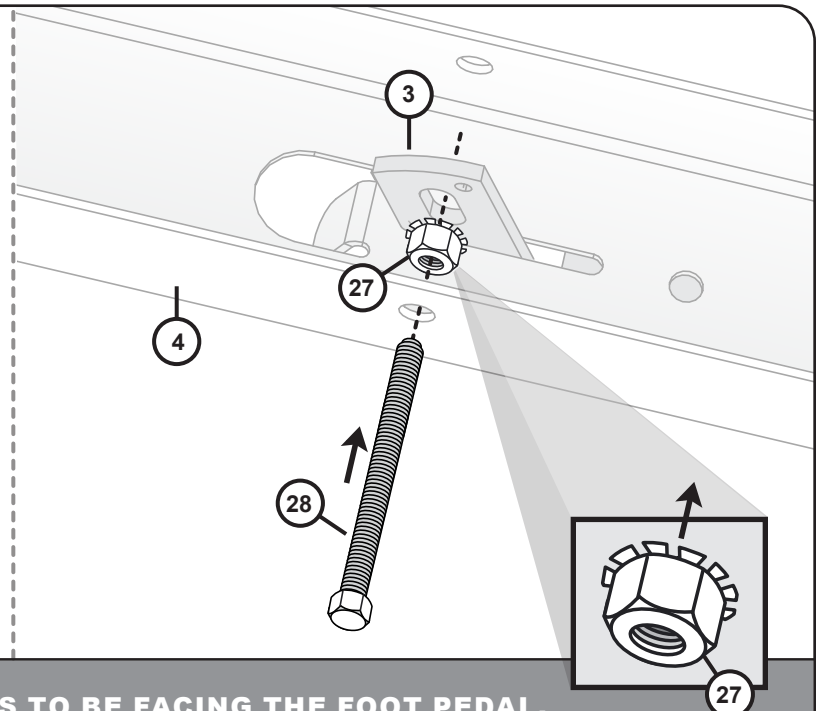
Step 2-B

 Skin Pack Panel 3

Begin to slide the 3/8 x 3-3/4 in. bolt (28) through the drawbar (4).

Between the drawbar and the foot pedal (3), add one 3/8 in. keps nut (27) to the bolt (28) as illustrated.

NOTE: Foot pedal can be adjusted slightly while installing bolt (28). This will help to align the bolt with the hole on the other side of the drawbar.



STARRED EDGE OF WASHER NEEDS TO BE FACING THE FOOT PEDAL.

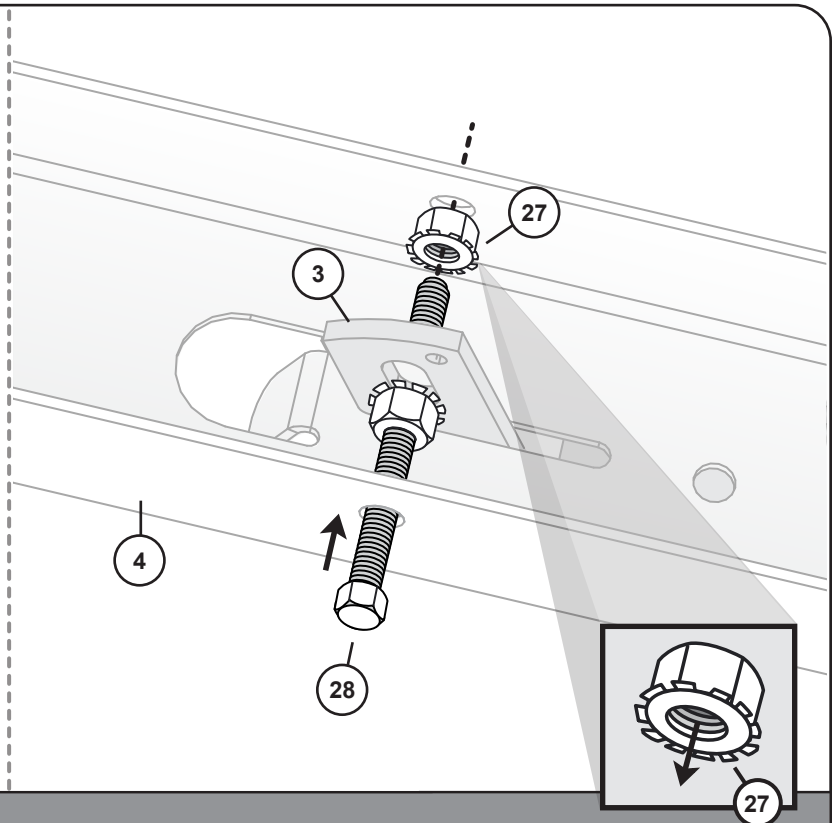
ASSEMBLY

Step 2-C

Skin Pack Panel 3

Continue running the 3/8 x 3-3/4 in. bolt (28) through the foot pedal (3). Between the foot pedal (3) and drawbar, add one 3/8 in. keps nut (27) to the bolt (28) as illustrated. Finally, run the end of the bolt (28) through the other side of the drawbar (4).

NOTE: Foot pedal can be adjusted slightly while installing bolt (28). This will help to align the bolt with the hole on the other side of the drawbar.

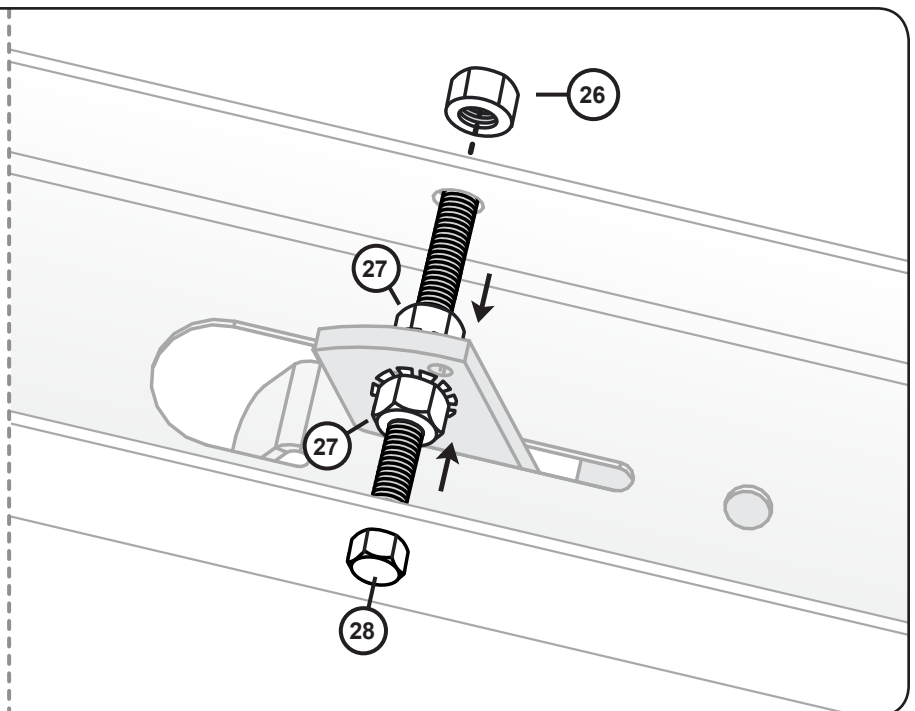


STARRED EDGE OF WASHER NEEDS TO BE FACING THE FOOT PEDAL.

Step 2-D

Skin Pack Panel 3

1. On the outside of the drawbar, add 3/8 in. lock nut (26) to the bolt (28) so that the foot pedal moves forward and backward freely.
2. Tighten nuts (27) toward the foot pedal, but allow movement.



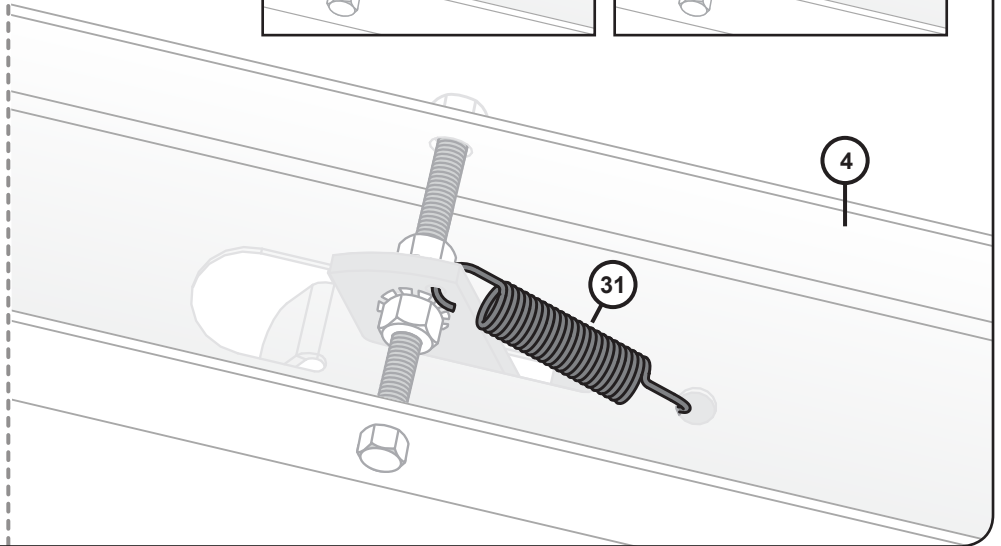
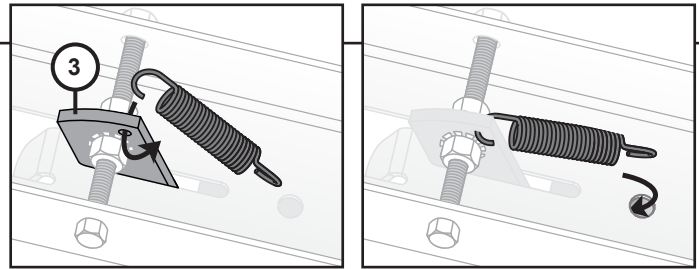
ASSEMBLY

Step 3

Skin Pack Panel 4

Hook one end of the latch spring (31) through the small hole at the base of the foot pedal (3).

Hook the other end of the latch spring (31) through the drawbar (4) as illustrated.



Step 4

Install Clevis

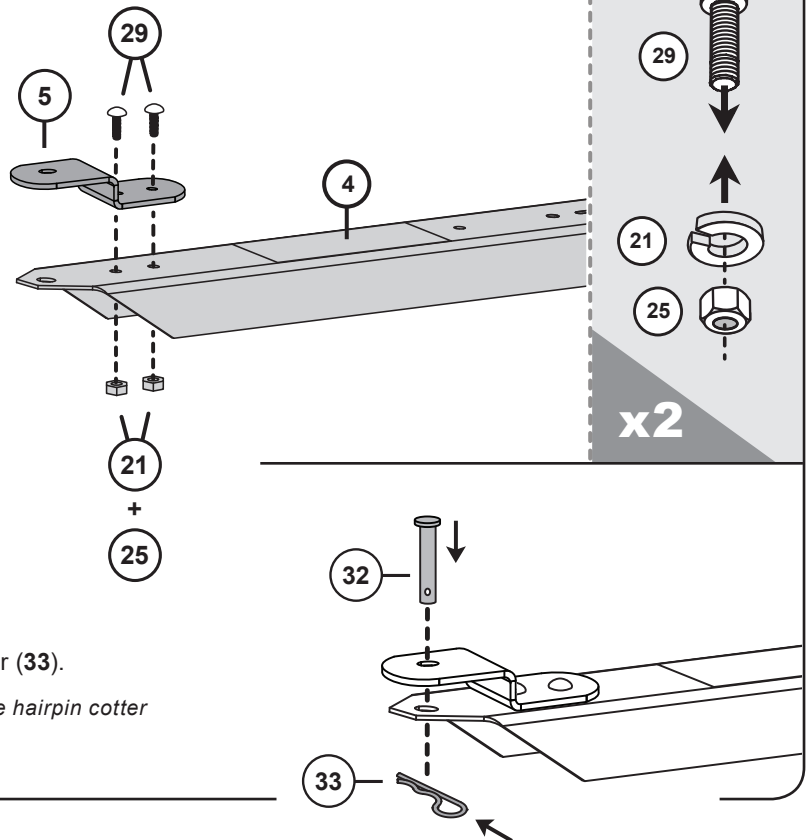
Skin Pack Panel 5

1. Position clevis (5) on the cart drawbar (4) as illustrated.
2. Slide two 5/16 x 1 in. round head screws (29) through the clevis (5) and the drawbar (4).

Secure beneath the drawbar (4) with two 5/16 in. lock washers (21) and 5/16 in. nuts (25).

3. Install the hitch pin (32) through clevis and cart drawbar. Secure beneath with 1/8 in. hairpin cotter (33).

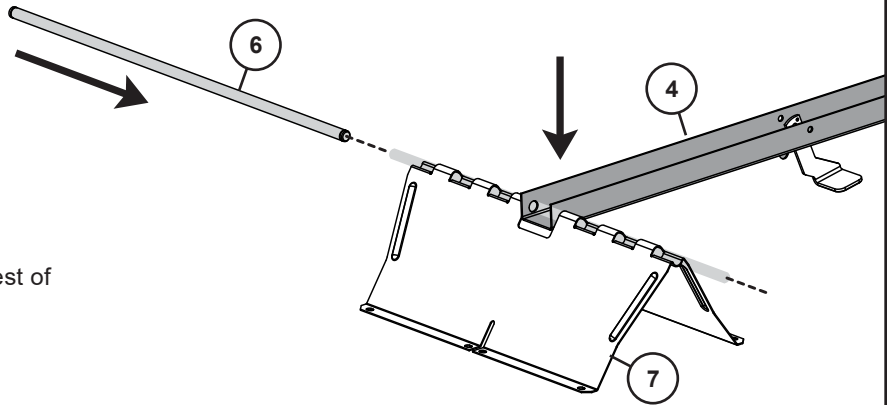
NOTE: For initial use, you may need to tap or push the hairpin cotter into place by applying some pressure with a tool.




ASSEMBLY

Step 5

1. Align and start running the axle (6) through the first three slots of the Axle Support (7).
2. Center the drawbar (4) as illustrated here.
3. Continue to run the axle (6) through the rest of the Axle Support (7).

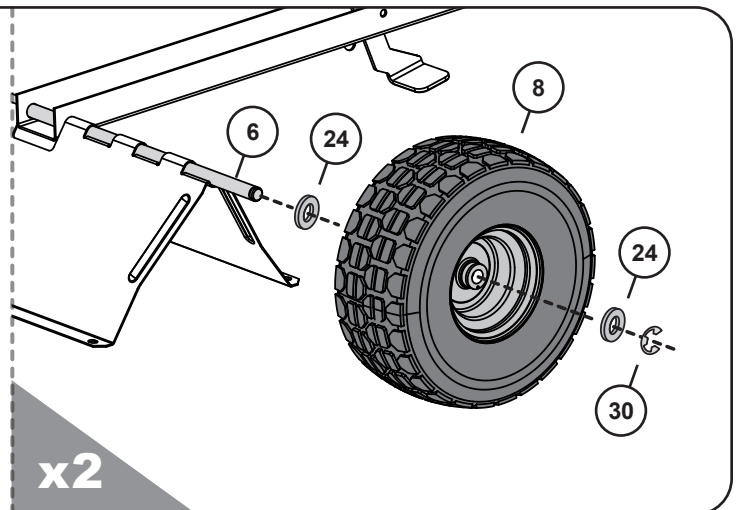


Step 6

 Skin Pack Panel 6

1. Slide a 3/4" Metal Bushing (24) on each end of the Axle (6).
2. Add a wheel (8) followed by another 3/4" Metal Bushing (24) on each end of the axle (6).
3. Secure the wheels in place by sliding a Retaining Ring (30) into the slot on each end of the axle (6).

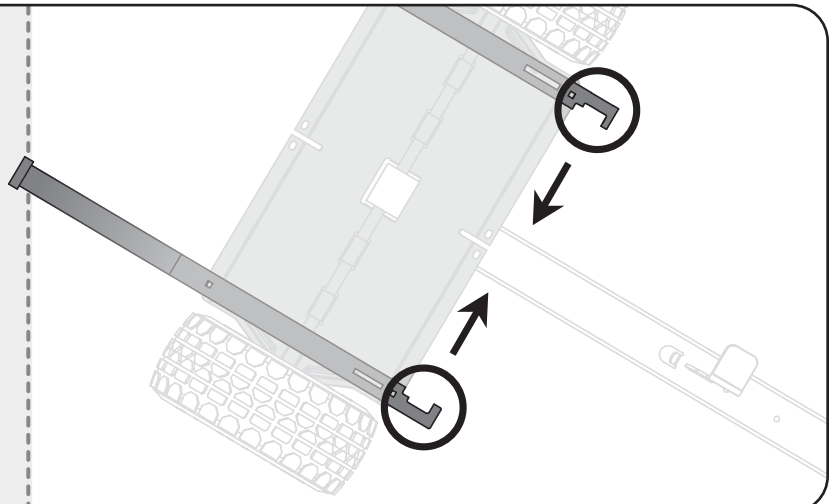
NOTE: *Flip over after assembling.*



Step 7-A

NOTE FOR STEPS 7-B THROUGH 7-C:


Be sure to align the Pivot Arms correctly. The hooks at the end of the Pivot Arms will need to face toward center of the cart.



ASSEMBLY

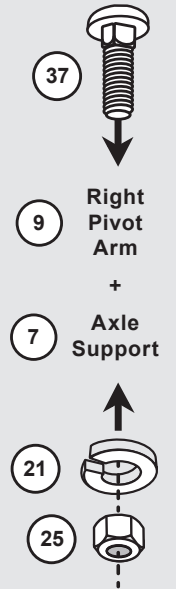
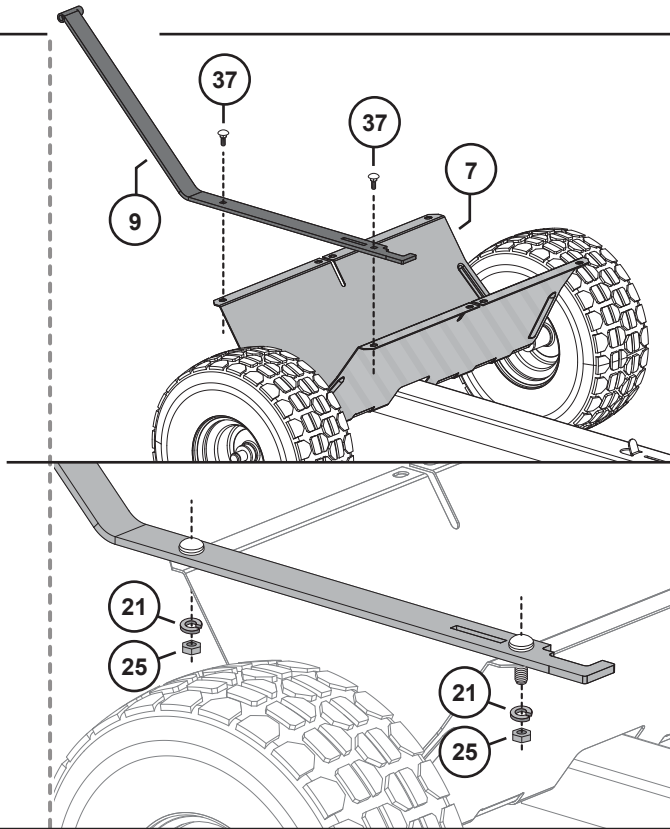
Step 7-B

1. Align holes of the Right Pivot Arm (9) with the Axle support (7) as illustrated here. NOTE: Hook of the Pivot Arm (9) will face toward center of the cart.

 Hardware Bag

2. Add two 5/16" x 1" carriage bolts (37) as illustrated.
3. Add a 5/16" lock washer (21) to each bolt beneath the axle support (7) and add a 5/16 in. hex nut (25).


NOTE: Do not tighten fully (yet).



x2

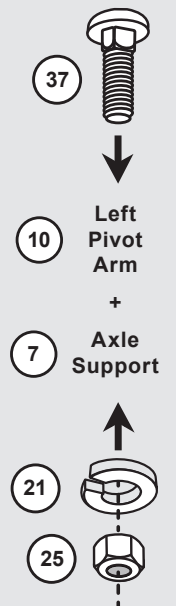
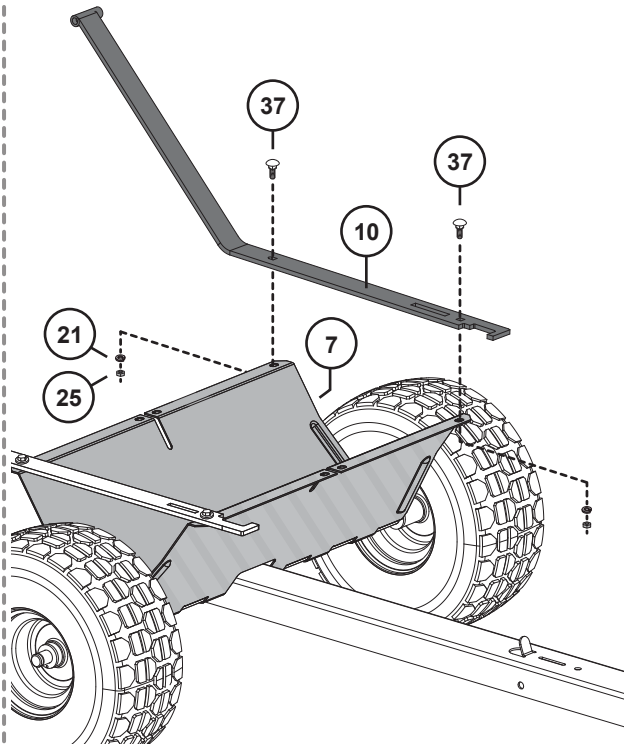
Step 7-C

1. Align holes of the Left Pivot Arm (10) with the Axle support (7) as illustrated here. NOTE: Hook of the Pivot Arm (10) will face toward center of the cart.

 Hardware Bag

2. Add two 5/16" x 1" carriage bolts (37) as illustrated.
3. Add a 5/16" lock washer (21) to each bolt beneath the axle support (7) and add a 5/16 in. hex nut (25).

NOTE: Do not tighten fully (yet).



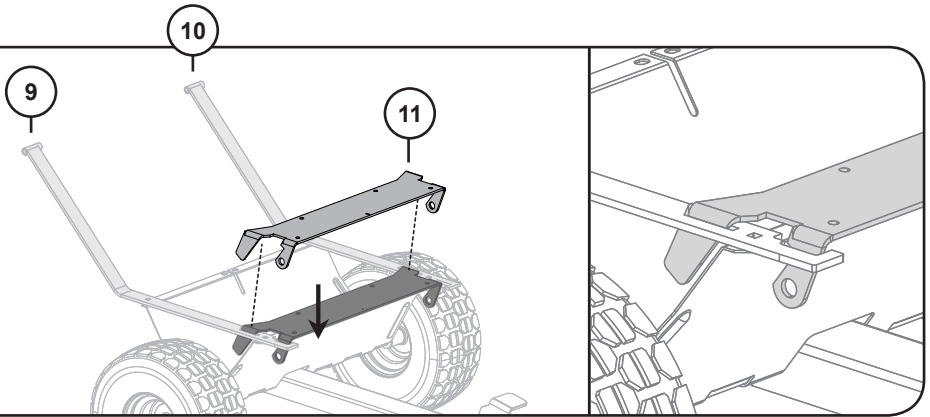
x2

ASSEMBLY

Step 7-D

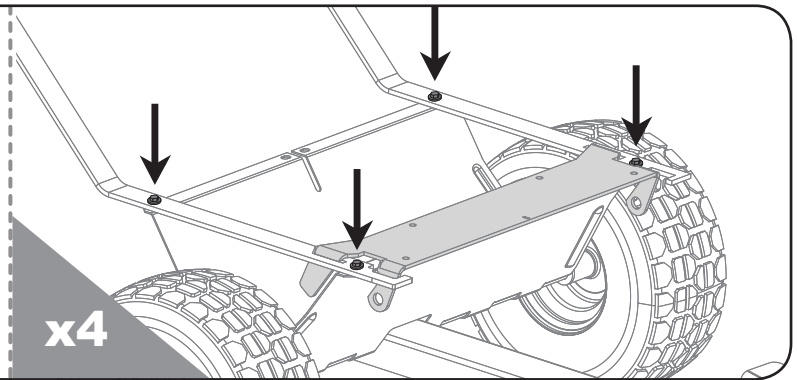
1. Temporarily slide the rocker base (11) into the slots of the pivot arms (9) and (10).

See Illustration.




Step 7-E

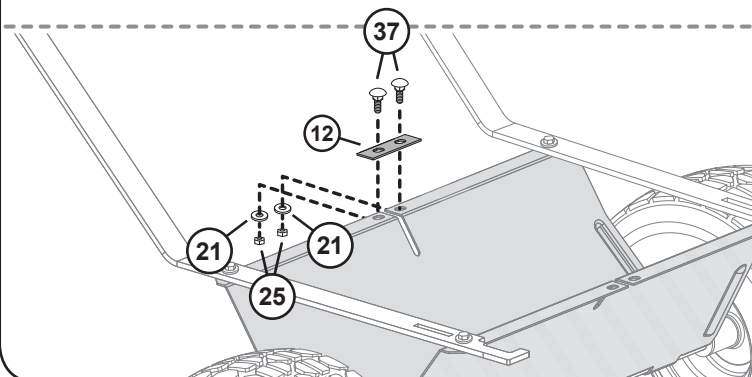
1. Tighten the four 5/16" nuts (37) from Steps 7-B and 7-C.
2. Remove the rocker base (11) from the assembly (*this will be used on step 9-B, page 17*).



Step 8

 Hardware Bag

1. Align the A-frame support bracket (12) from above the axle support and run two 1" Carriage bolts (37) through.
2. Add a lock washer (21) to both bolts (37) and secure under the A-frame with two 5/16 in. Hex Nuts (25).



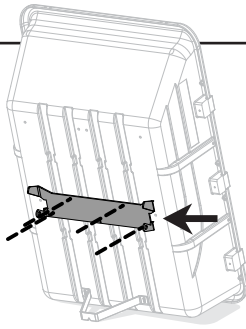
Step 9-A


Stand the cart bed upright and lean it against the lock bracket (2) as illustrated.



ASSEMBLY

Step 9-B

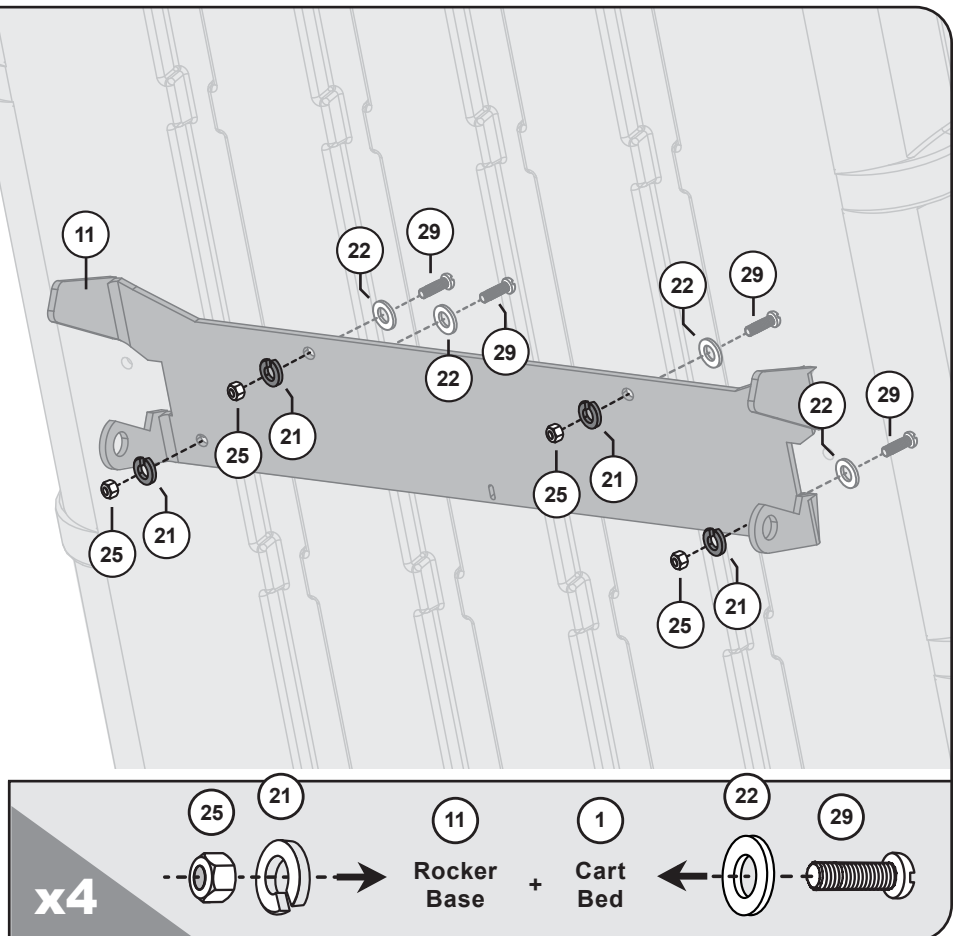


 Skin Pack Panel 1


1. Add a Flat Washer (22) to four of the 5/16" Screws (29) and align the Rocker Base (11) as illustrated.

From the inside of the cart bed, run these screws through the cart and rocker.

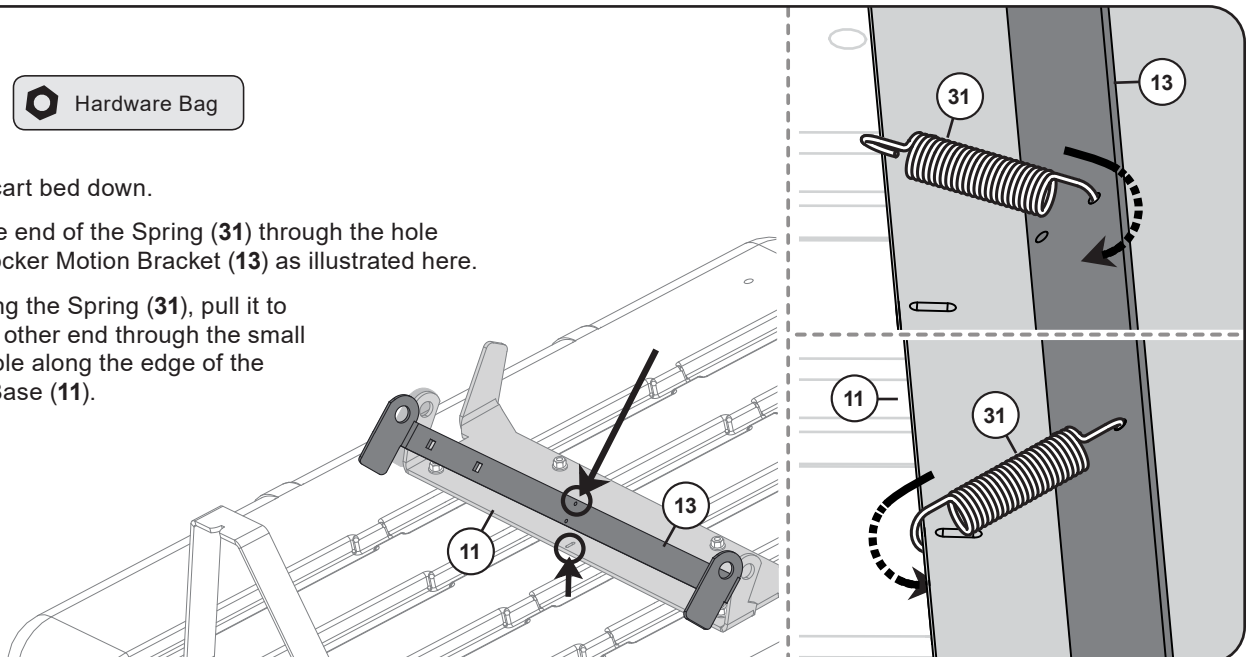
2. Secure in place by adding a Lock Washer (21) and 5/16" Hex Head Nut (25) to each screw.



Step 10-A

 Hardware Bag

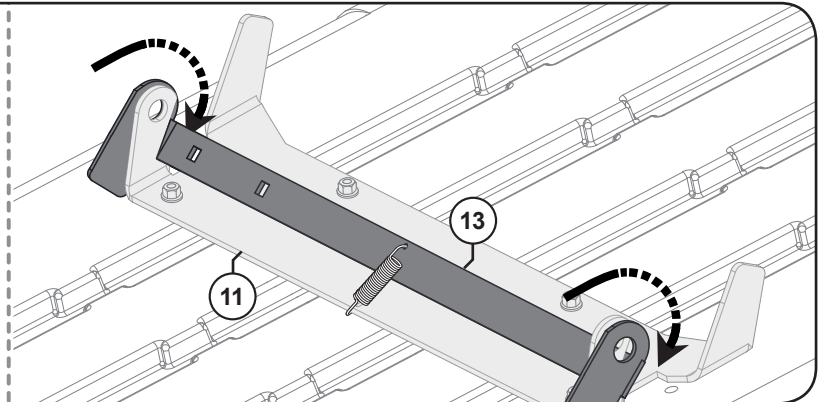
1. Lay the cart bed down.
2. Hook one end of the Spring (31) through the hole of the Rocker Motion Bracket (13) as illustrated here.
3. Expanding the Spring (31), pull it to hook the other end through the small center hole along the edge of the Rocker Base (11).




ASSEMBLY

Step 10-B

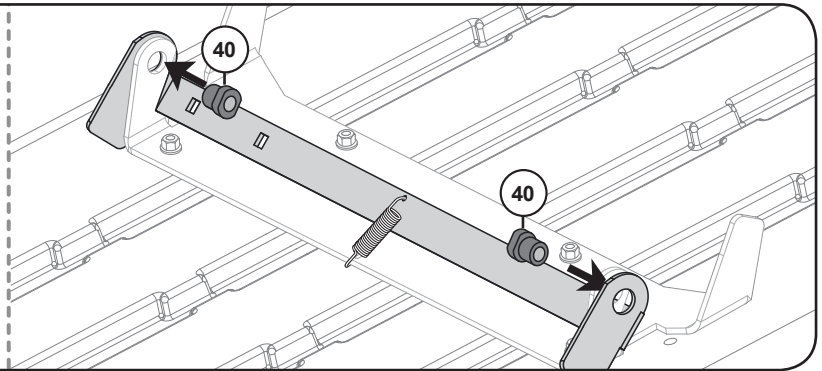
1. Lift the Motion Bracket (13) up and over the first set of extended arms of the Base Plate (11).
2. Align the two holes of these two parts as illustrated.




Step 10-C

 Hardware Bag

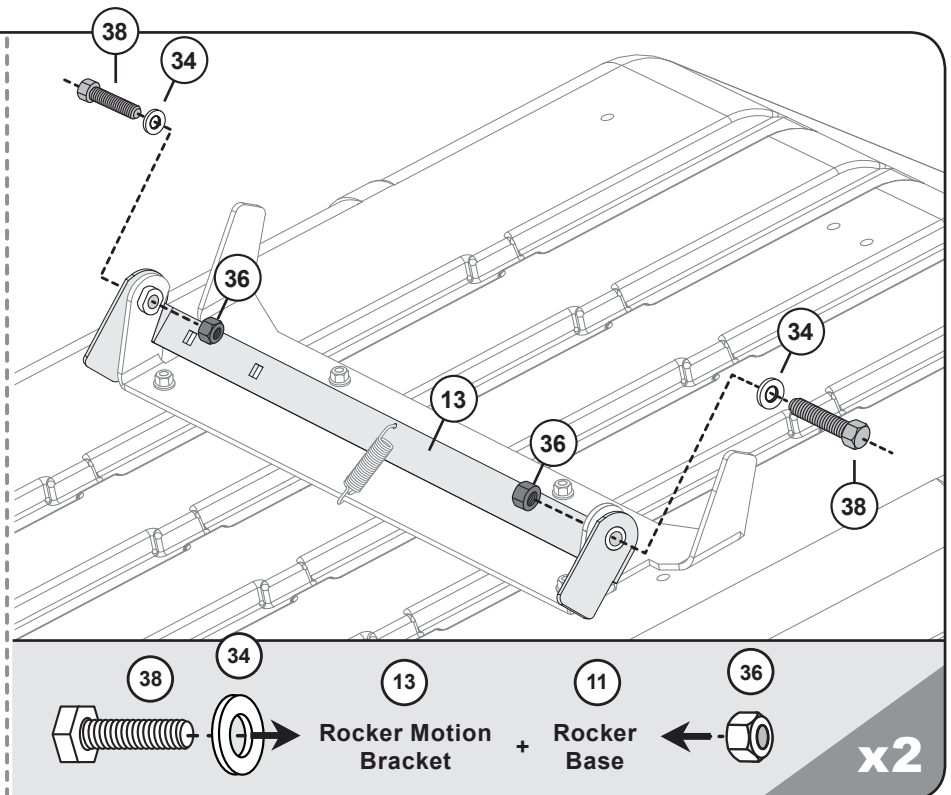
1. Slide the two 3/8" bushings (40) in place as illustrated.



Step 10-D

 Hardware Bag

1. Add a 3/8 in. flat washer (34) to a hex head 3/8 x 1 1/4 in. bolt (38). Repeat with a second bolt and washer.
2. As illustrated here, run these bolts through the bushings that were added on Step 10-C.
3. Be sure to allow movement, however, loosely secure in place with two 3/8 in. nylon lock nuts (36).

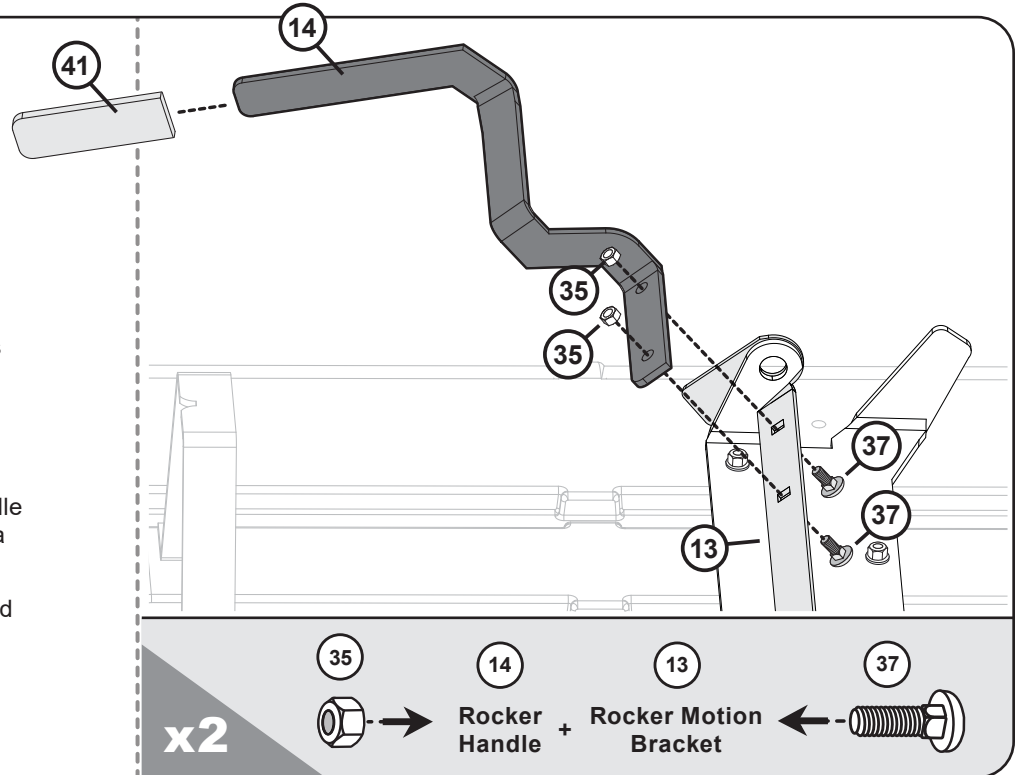


ASSEMBLY

Step 11

Hardware Bag

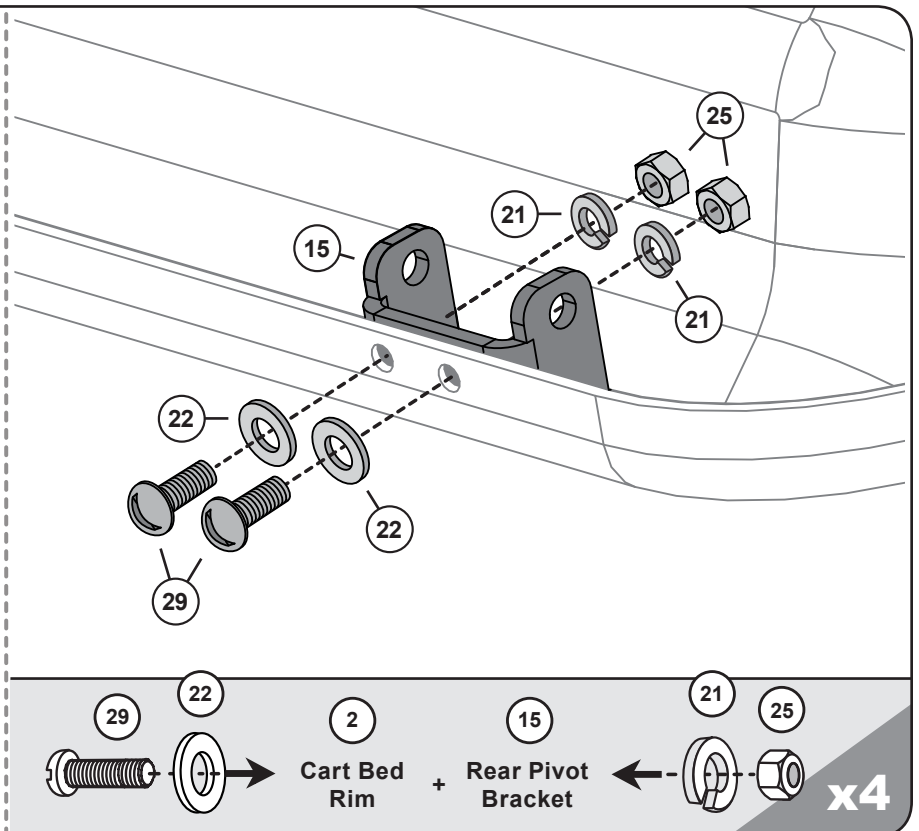
1. Align the Rocker Handle (14) with the square holes of the Rocker Motion Bracket (13) as illustrated here.
2. Add last two 5/16" x 1" Carriage Bolts (37) from beneath the Rocker Motion Bracket (13), through the handle (14) and secure in place with a 5/16 in. Nylon Lock Nut (35).
3. Slide the Grip (41) over the end of the handle (14).



Step 12

Skin Pack Panel 1

1. Align the Rear Pivot Bracket (15) as illustrated here.
2. Add a 5/16" Flat Washer (22) to four 3/4" Round Head Screws (29) and start to run them through the cart rim and pivot bracket (15).
3. Secure the Rear Pivot Bracket (15) in place by adding a 5/16" Lock Washer (21) and 5/16" Hex Nut (25) to the ends of the screws that were added on Step 12-2.
4. Repeat these steps to attach the additional Pivot Bracket (15) on the other side of the cart.

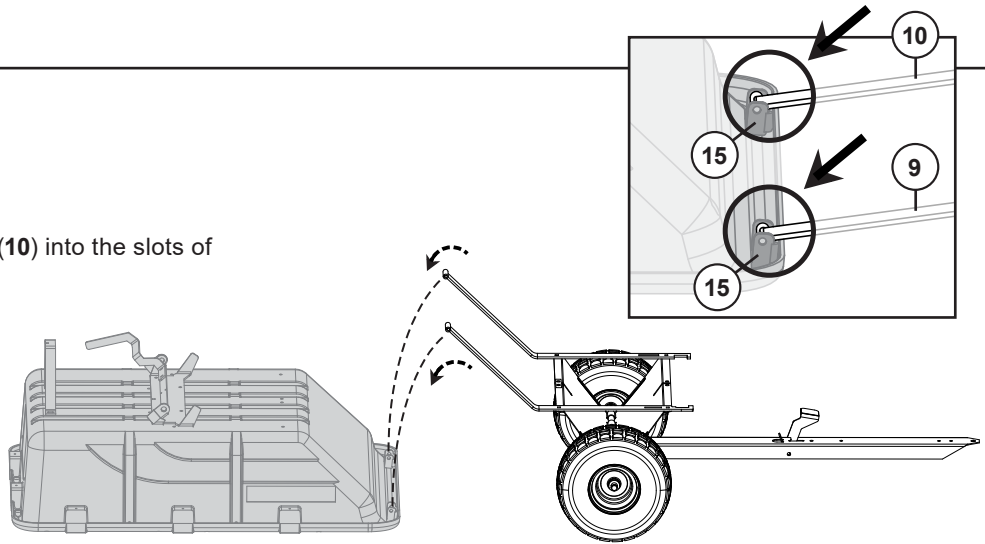


ASSEMBLY


Step 13-A

1. Slide the pivot arms (9) and (10) into the slots of the rear pivot brackets (15).

See Illustration.

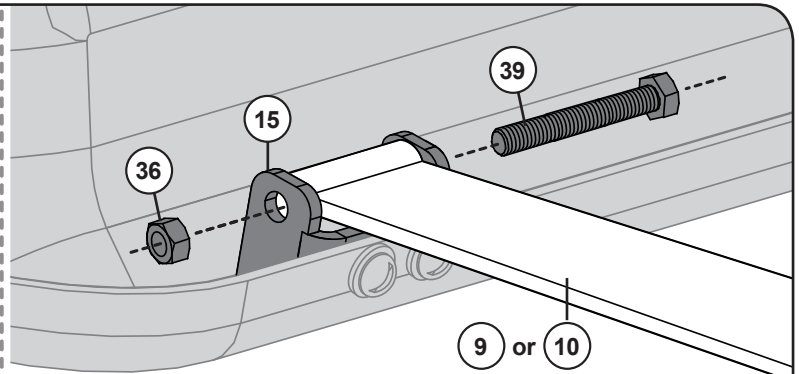


Step 13-B

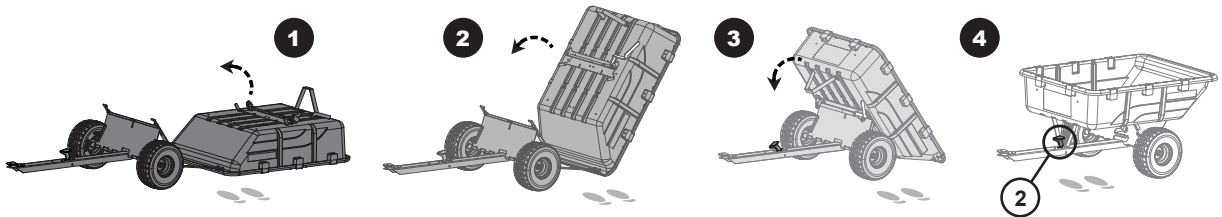
 Hardware Bag

1. Attach both Pivot Arms (9 and 10) to the Pivot Brackets (15) with a 3" Hex Head Bolt (39) and 3/8" Nylon Lock Nut (36).

NOTE: Do not overtighten.
Allow movement.



Step 14



1. Follow the illustrations above and gently guide the cart bed to position 3.
2. Continue to follow the illustrations above, guiding the cart bed to position 4.
3. Make sure the lock bracket (2) locks in place with the foot pedal.



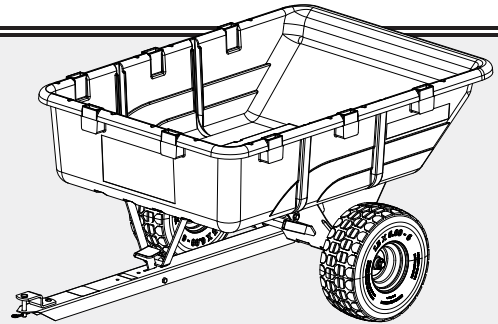
Assembly is Complete!

Please continue reading for the Use and Care instructions.

USE AND CARE

MODEL:

RPC-10BH-A ROGER POLY CART



SPECIFICATIONS

Cart Bed Capacity . . . 10 cu ft

Maximum

Towing Speed 5 mph

DIMENSIONS:

Length: 67.00"

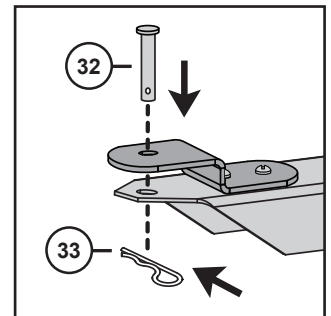
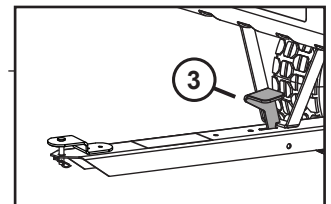
Width: 38.00"

Height: 27.25"

INSTALLING

CAUTION: Avoid injury!
Before installing cart, make sure the dump levers are locked in place.

1. With cart foot pedal (3) in place and park machine safely. (See *Parking in the Safety section*).
2. Align cart drawbar with machine drawbar.
3. Install clevis pin (32) through cart drawbar and machine drawbar. Secure clevis pin with hairpin cotter (33).



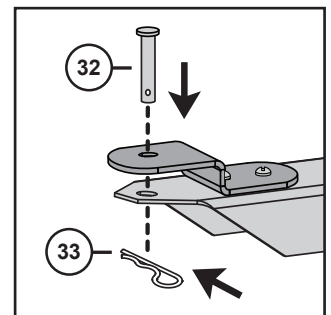
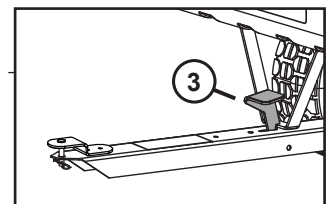
REMOVING

CAUTION: Avoid injury!
Before installing cart, make sure the dump levers are locked in place.

1. Park machine safely. (See *Parking Safely in the Safety section*.)
2. Unload cart.

CAUTION: Avoid injury!
Keep hands, feet and other body parts away from under the drawbar.

3. Remove spring locking pin and clevis pin.
4. Push cart away from machine. *Block cart wheels.*
5. Install clevis pin and spring locking pin in cart drawbar for storage.



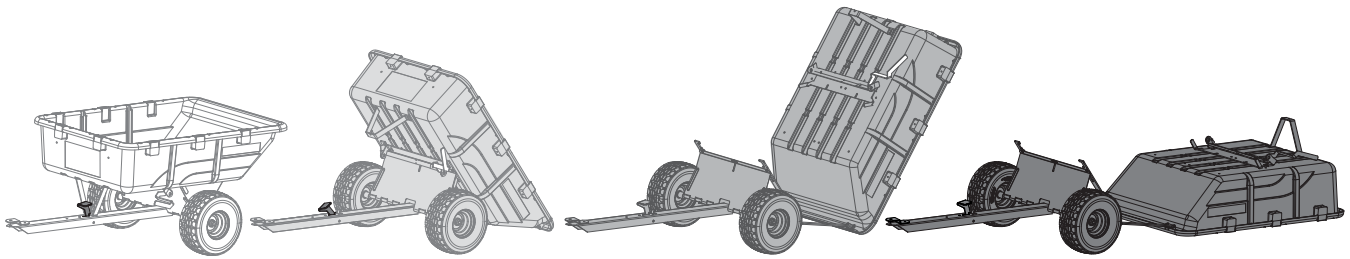
USE AND CARE

UNLOADING ROGER CART

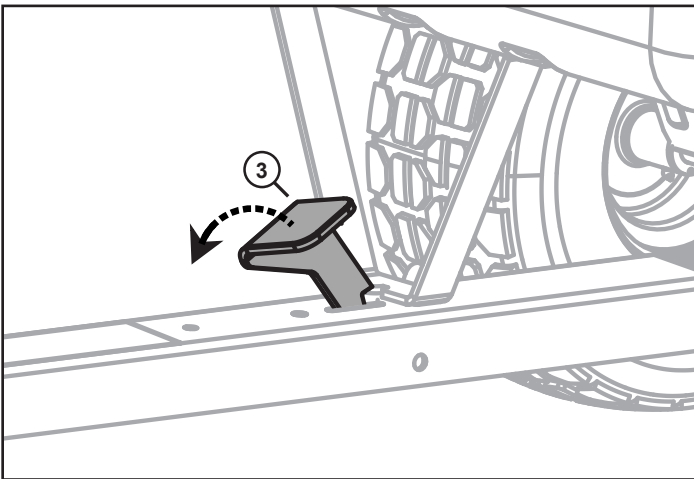
CAUTION: Avoid injury!



- Before dumping cart, park machine safely.
- Before backing up, make sure the area is clear of bystanders, especially children.
- Make sure cart is installed to the towing machine.
- Keep hands, feet and other body parts away from unloading areas and locking points to prevent injury from hauled materials or the cart itself.

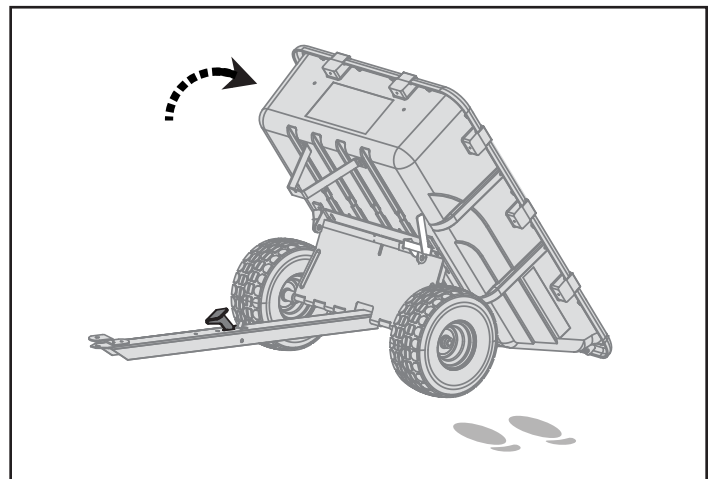


Step 1. Unloading Cart



1. Park machine Safely.
(See *Parking in the Safety section*).
2. Press down on the foot pedal (3) labeled "Release" to release the lock

Step 2. Unloading Cart

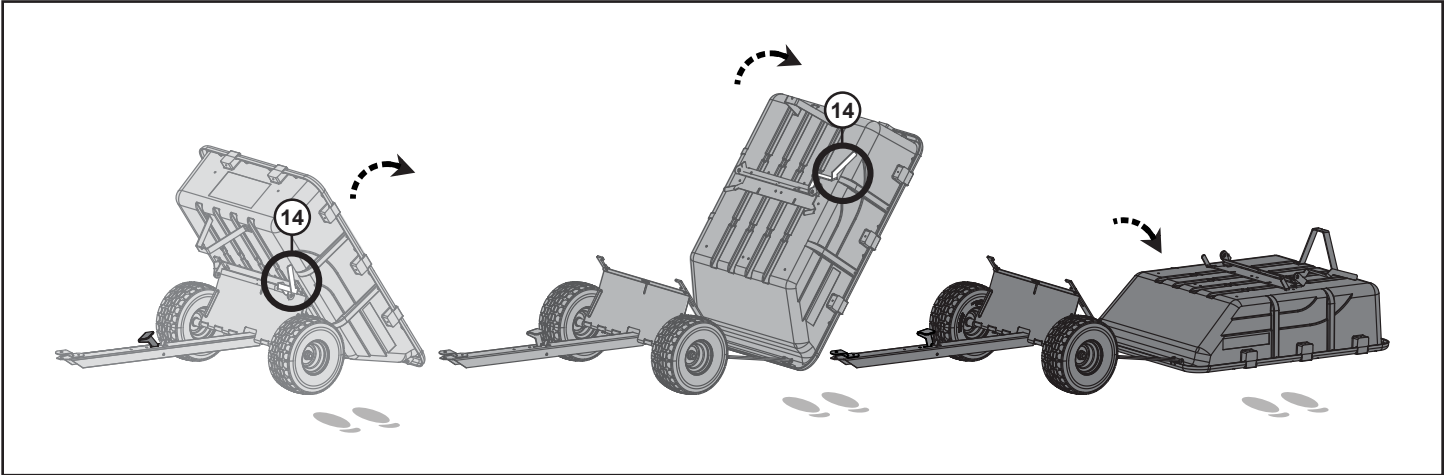


Pivot cart to the standard unloading position.

USE AND CARE

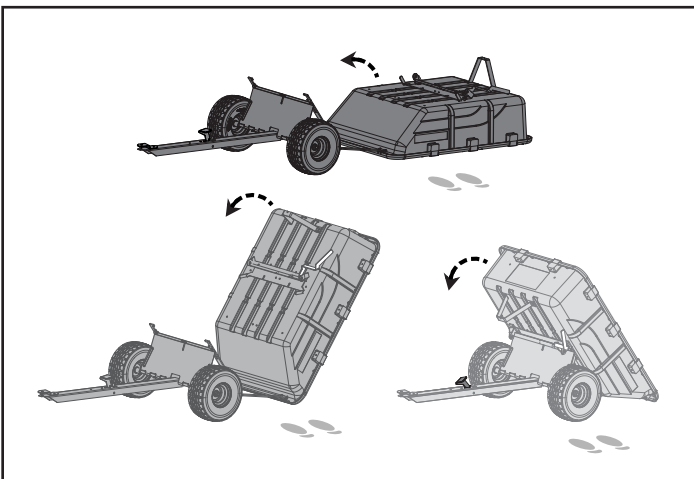
UNLOADING ROGER CART, *continued*

Step 3. Unloading Cart



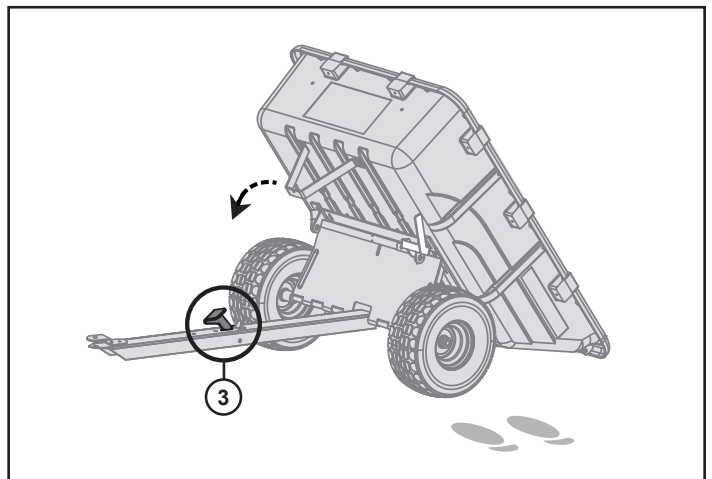
Pull the lever (14) labeled “Pull” and continue to guide the range of motion, flipping the bed of the cart toward an 180° unload.

Step 4. Returning Cart to Transport



After unloading, rotate cart back into place as illustrated here. **NOTE:** When bed of cart returns to this position, it will audibly click into place as the rocker brackets reconnect.

Step 5. Returning Cart to Transport



Slowly lower the cart back into the standard transport position until the foot pedal (3) locks securely in place.

USE AND CARE

MAINTENANCE



- The key to years of trouble-free service is to keep your Cart clean and dry.
- After the first 30 minutes of use, check all fasteners for tightness.
- Thereafter, periodically check all fasteners for tightness.
- Unauthorized modifications to the cart may impair its function and safety.
- Occasionally check all moving parts for free movement and, if necessary, lubricate with oil.
- For rust appearing on painted surfaces, sand lightly and paint affected area with enamel.
- Wheels are fitted with oil impregnated bushings. If additional lubrications is needed, grease can be applied through the zerk grease fitting located on the inside of the rim.

STORAGE

- Cart should be stored in a dry place.
- Cart should be stored with the bed closed and locked in position.
- Drawbar is a trip hazard. Avoid leaving the drawbar in aisle ways and walking paths.

DETERMINING WEIGHT FOR CART

CAUTION: Avoid injury!



Excessive towed load can cause loss of traction and loss of control on slopes. Stopping distance increases with speed and weight of towed load.

Total towed weight must not exceed combined weight of pulling machine, operator and front ballast, or the maximum capacity of the cart.

The following maximum loaded cart weight capacities are the average weight of each cart model loaded with dry sand leveled with the top of the cart.

Load Capacity:	295 kg (650 lb)
+ Empty cart weight:	38 kg (84 lb)
<hr/>	
Total Capacity:	333 kg (734 lb)

CAUTION: Avoid injury!



If additional weight is required when towing a cart, add weight at or forward of the rear wheels. Adding weight behind the rear wheels can affect machine steering.

Towing cart capacity will vary with weight of the towing machine and operator. Add the weight of your machine to operator weight to find the maximum capacity of the towing cart. With all cart usage, the cart load should be reduced when operating on slopes or slippery surfaces to maintain stability.

Example:

If towing machine weighs:	225 kg (500 lb)
+ Your weight:	90 kg (200 lb)
<hr/>	
Combined weight equals:	315 kg (700 lb)

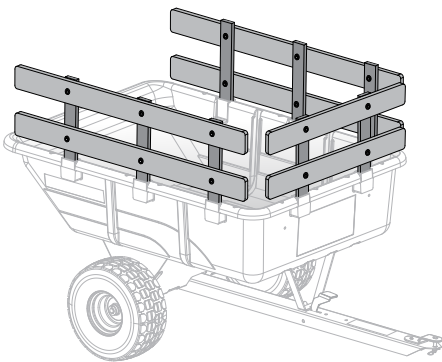
To maintain stability using the cart in this example, you cannot safely carry more than 315 kg (700 lb) without first adding additional ballast to the towing machine.

USE AND CARE

D.I.Y. DIRECTIONS FOR CUSTOM-BUILT SIDE STAKES

SAFETY NOTES:

- Read and follow the operating instructions for your machine and your Brinly Poly Cart.
- Do not load material higher than the top of the stake side rails.
- Do not use the stake side rails to increase the weight capacity of your cart. (Refer to cart weight capacity calculations on page 24).
- To minimize cart tip hazard, do not load heavy material like sand or firewood above the top of the cart bed.
- Distribute the load evenly for safe travel and for unloading the cart.
- Do not reach through the stake side rails with hands, arms, or head as these could become caught and cause injury.
- Do not use the stake side rails as a ladder, platform, or table.
- Do not let children or any untrained person operate the machine. Do not let anyone (especially children) ride on or in the cart during operation. Riders can be subject to injury from foreign objects & being thrown off the cart. Riders can also obstruct the operators view resulting in the machine being operated in an unsafe manner.
- Do not secure loads to the stake side rails. Securely anchor all loads to the cart bed to prevent them from shifting and breaking the stake side rails.
- Be sure to use all three stake sides together. Do not use only one side or just two sides.
- Inspect wood for rot and fasteners for rust before use and replace rotted, rusted, or worn parts as needed.



These side stakes are for transporting **LIGHT** debris only, such as leaves, straw, and sticks.

SHOPPING LIST / MATERIALS NEEDED:

Ref.	Description:	Qty.	Ref.	Description:	Qty.
Long Pressure Treated Wood:			Hardware:		
1	1" x 2" x 13-1/2"	8	4	1/4"-20 x 2" Pan Head Bolt	20
2	1" x 4" x 33-1/2"	2	5	1/4" Fender Washer	40
3	1" x 4" x 42-1/4"	4	6	1/4"-20 Nylon Locking Hex Nut	20
			7	#10 x 1" Wood Screw	8

MATERIAL NOTES:

- It is recommended that all fasteners are plated grade 5.
- All material listed can be purchased at a standard hardware store.

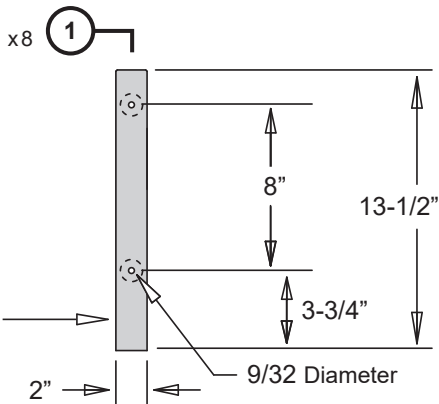
USE AND CARE

DIY: DIRECTIONS FOR CUSTOM-BUILT SIDE STAKES, *Continued*

Step 1.

Drill two 9/32" holes in each 13-1/2" side stake (1), located as illustrated here.

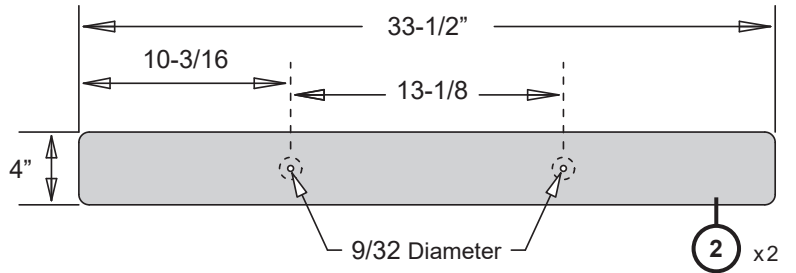
Sand down the 3/4" thickness of each side stake (1) for a slip fit into the cart pocket to reduce the risk of cracking the pocket at rail installation.



Step 2.

Drill two 9/32" holes in each of the 33-1/2" wood panels for part (2).

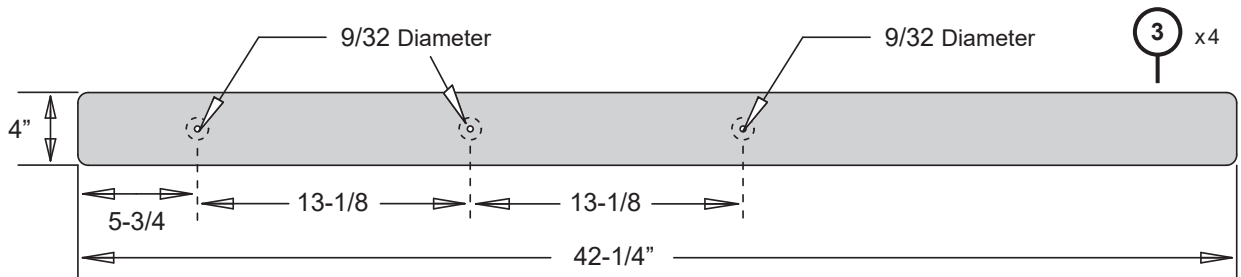
Holes must be aligned as illustrated here:



Step 3.

Drill four 9/32" holes in the 42-1/4" wood panels for part (3).

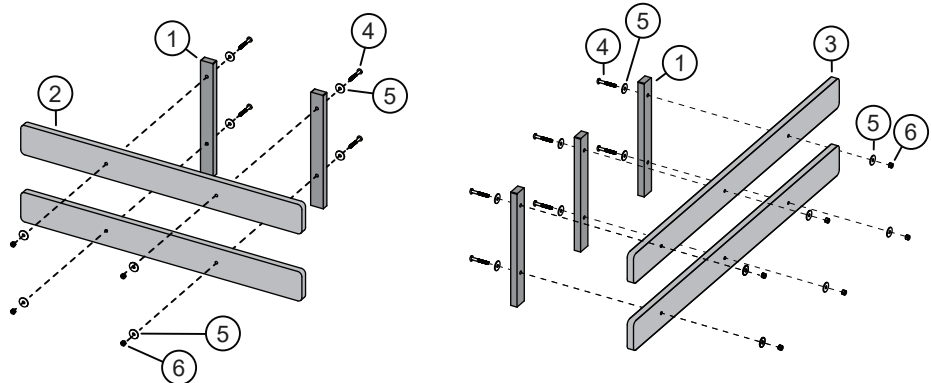
Holes must be aligned as illustrated here:



Step 4.

Building the Stake Side Rails

Assemble the side stakes as illustrated here.



USE AND CARE

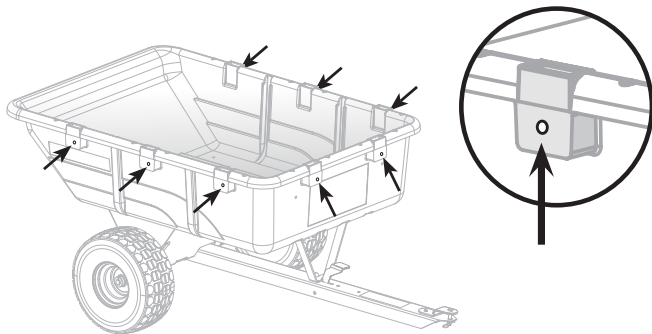
DIY: DIRECTIONS FOR CUSTOM-BUILT SIDE STAKES, *Continued*

Step 5.

Drilling Location *(if needed)*

Some cart pockets may have a hole provided at the base of each pocket **OR** a 1/8" diameter hole from the outside of the cart pocket into the Stake Side Rail.

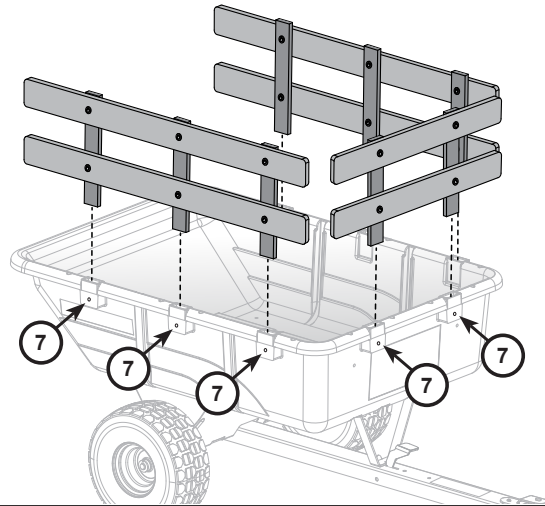
NOTE: *The hole must be centered right to left on the cart pocket and 1-3/4" up from the pocket bottom.*



Step 6.

Securing the Stake Side Rails - Slide the assembled stake rails in place, as illustrated here.

Using the existing or previously drilled holes, secure each rail to your cart with a #10 x 1" wood screw (7).

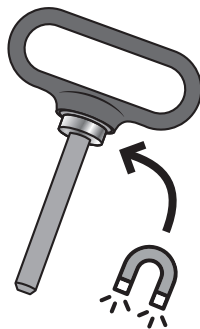


OPTIONAL ACCESSORY

Magnetic Hitch Pin

MHPK-12BH

This quick-connect magnetic hitch pin can replace a regular cotter pin for an extra-strong, convenient upgrade.



- Diameter: 1/2"
- Pin Length: 3"

NOTE: *Additional accessories are also available in our Parts Store online: shop.brinly.com*

SERVICE

Quality Continues with Quality Service

If you have installation questions, are missing parts or need replacement parts, don't go back to the store! Please find your product serial number and model number, then contact our Customer Service department:



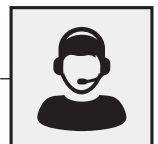
In North America and Canada call
Toll-Free: **877-728-8224**



Chat online: **www.brinly.com**



Email: **customerservice@brinly.com**



ONLINE: BRINLY.COM

Additional info and videos are available on our website. Please visit the URL above OR scan this QR code.





MANUFACTURER'S LIMITED WARRANTY
CARTS

The limited warranty set forth below is given by Brinly-Hardy Company with respect to new merchandise purchased and used in the United States (its possessions and territories) and Canada.

Brinly-Hardy Company warrants the products listed below against defects in material and workmanship, and will at its option, repair or replace, free of charge, any part found to be defective in materials or workmanship. This limited warranty shall only apply if this product has been assembled, operated, and maintained in accordance with the Operator's manual furnished with the product, and has not been subject to misuse, abuse, commercial use, neglect, accident, improper maintenance, alteration, vandalism, theft, fire, water, or damage because of other peril or natural disaster.

Parts found to be defective within the warranty period will be replaced at our expense. Our obligation under this warranty is expressly limited to the replacement or repair, at our option, of parts found to be defective in material and workmanship.

HOW TO OBTAIN SERVICE: Warranty parts replacements are available, only with proof of purchase, through our Customer Service Department. Call 877-728-8224.

This limited warranty does not provide coverage in the following cases:

- a. Routine maintenance items such as lubricants & filters.
- b. Normal deterioration of exterior finish due to use or exposure.
- c. Transportation and/or labor charges.
- d. The warranty does not include commercial and/or rental use.

No implied warranty, including any implied warranty of merchantability of fitness for a particular purpose, applies after the applicable period of express written warranty above as to the part as identified below. No other express warranty whether written or oral, except as mentioned above, given by any person or entity, including a dealer or retailer, with respect to any product, shall bind Brinly-Hardy Co. During the period of the warranty, the exclusive remedy is repair or replacement of the product as set forth above.

The provisions as set forth in this warranty provide the sole and exclusive remedy arising from the sale. Brinly-Hardy Co. shall not be liable for incidental or consequential loss or damage including, without limitation, expenses incurred for substitute or replacement lawn care services or for rental expenses to temporarily replace a warranted product.

Some states do not allow the exclusion or limitation of incidental or consequential damages, or limitations on how long an implied warranty lasts, so the above exclusions or limitations may not apply to you.

During the warranty period, the exclusive remedy is replacement of the part. In no event shall recovery of any kind be greater than the amount of the purchase price of the product sold. Alteration of safety features of the product shall void this warranty. You assume the risk and liability for loss, damage, or injury to you and your property and/or to others and their property arising out of the misuse or inability

to use this product. **NOTE:** *This limited warranty shall not extend to anyone other than the original purchaser or to the person for whom it was purchased as a gift.*

This limited warranty lasts as long you own your product purchased from an authorized seller. **Coverage terminates once you sell or otherwise transfer the product.**

This limited warranty does not cover any purchaser other than the original purchaser of the product, nor does it cover any product purchased from an unauthorized third-party. If you are not the original purchaser of this product, your product is not covered by our limited warranty and you take the product "AS IS" and "with all faults."

We may require proof of purchase from you demonstrating that you are the original purchaser of the product, purchased the product from an authorized dealer, and are eligible to make a valid claim under this limited warranty.

How state law relates to this warranty: This limited warranty gives you specific legal rights, and you may also have other rights which vary from state to state.

IMPORTANT:

The Warranty period stated below begins with the proof of purchase. Without the proof of purchase, the Warranty period begins from the date of manufacture determined by the serial number manufacturing date. All parts replaced under warranty will be considered as part of the original product, and any warranty on the replaced parts will expire coincident with the original product warranty.

WARRANTY PERIOD:

See applicable parts listed below.

Standard / Residential Use:

Steel Frame & Steel Parts	2 years
Cart Bed	2 years
Tires / Wheels	90 days

All other normal wear parts or component failures will be covered on this product for a period of 90 days.

If this equipment is being used in a commercial application and / or for multiple properties, the warranty is 90 days after purchase for all parts.