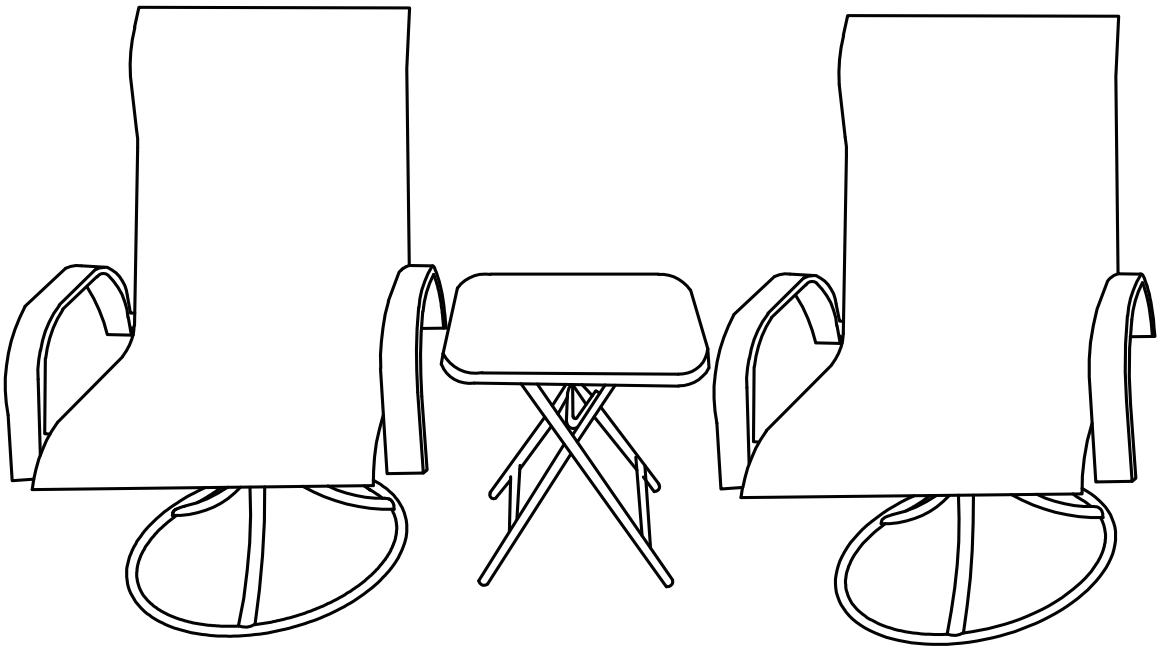


ASSEMBLY INSTRUCTION

3PCS MOTION SWIVEL SET
PT- OF0003



USA Teamson Design Co.

☎ 1-800-935-3959
Mon- Fri 9:00- 16:30 EST

✉ support@teamson.com

EU Teamson UK. Ltd

☎ +44 (0)1952-916050
Mon- Thu 09:00-17:00 GMT
Friday 09:00- 16:00

✉ support@teamson.co.uk











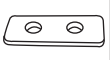



ASSEMBLY INSTRUCTIONS

**ATTENTION: THIS PRODUCT IS NOT FOR COMMERCIAL USE
INTENDED FOR RESIDENTIAL USE ONLY.**

PT- OF0003

PARTS LIST

PART NO.	MATERIAL CODE	PART	Q'TY
1	AT5047-58-01	 SEAT ASSEMBLY	1
2	AT5047-58-02	 BASE ASSEMBLY	1
3	AT5047-58-03	 SEAT POST	1
4	AT5047-58-04	 BOLT M8*48	4
5	AT5047-58-05	 JAM NUT M8*1.25	4
6	AT5047-58-06	 WASHER d8.5*D17*1.6	8
7	AT5047-58-07	 WASHER d8.5*D12*2.1	4

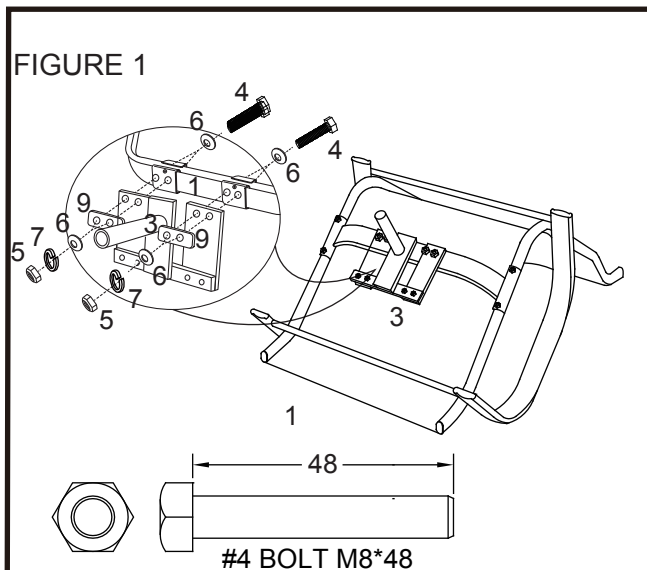
PART NO.	MATERIAL CODE	PART	Q'TY
8	AT5047-58-08	 WASHER d6.5*D30*3.0	1
9	AT5047-58-09	 WASHER	2
10	AT5047-58-10	 BOLT M6*40	1
11	AT5047-58-11	 NUT WRENCH	2
12	AT5047-58-12	 HE KEY WRZNCH 6MM	1

Attention:

Make sure that each bolt needed for all steps matches the corresponding figure to ensure proper assembly.

Step 1:

Place the seat assembly (#1) onto a non-abrasive surface, such as a carpet, with its underside facing upwards. Fasten the seat post (#3) to the brace of the seat assembly (#1) by using bolts (#4), washers (#6,#7 and #9) and jam nuts (#5). See Figure 1.







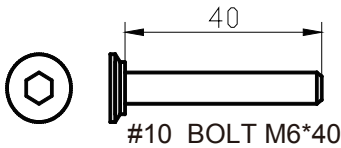
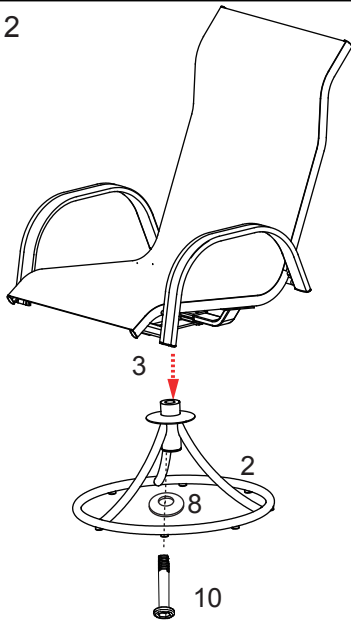
-  Use the correct bolts as indicated. Do not tighten any of the bolts until the swivel rocker chair is completely assembled.
-  Do not discard any of the packaging until you have checked that you have all of the parts and fittings required.
-  Keep children away during assembly. This item contains small parts that can be swallowed by children. Children should always be under direct adult supervision while using this product.
-  Retain these assembly instructions for future reference.

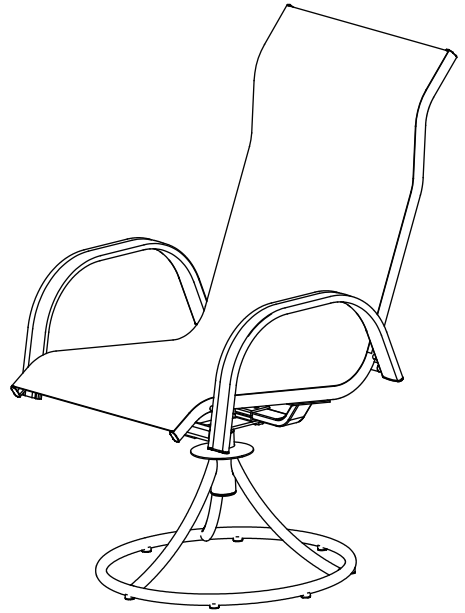
FIGURE 2



Step 2:
Insert the seat post (#3) into the hole located in the center of the base assembly (#2). Fasten them together by using bolt (#10) and washer (#8). Make sure that all of the bolts have been tightened completely. See Figure 2.

Note:
For ease with installation, we recommend that the seat post (#3) be slightly oiled or waxed before fastening to the base assembly (#2).

FULL ASSEMBLY



Step 4:
See Full Assembly.

Caution:
To ensure one's safety during use of this swivel rocker chair, examine all of the bolts to make sure that they are securely fastened. This is a chair with swivel rocker ability; therefore, use by young children should be adult supervised.

Cleaning and Maintenance

- Wash frame parts with mild soap and water, rinse thoroughly, and dry completely. Do not use bleach, acid, or other solvents on the frame parts.
- We recommend the use of furniture covers when not in use.
- Inspect and tighten all bolts and fasteners on a regular basis to ensure the proper performance and safety of your swivel rocker chair.
- In order to prolong the life and beauty of your swivel rocker chair, we recommend that it be stored in a dry and protected area during off season periods.