

# Assembly Guide



**Bush**  
FURNITURE

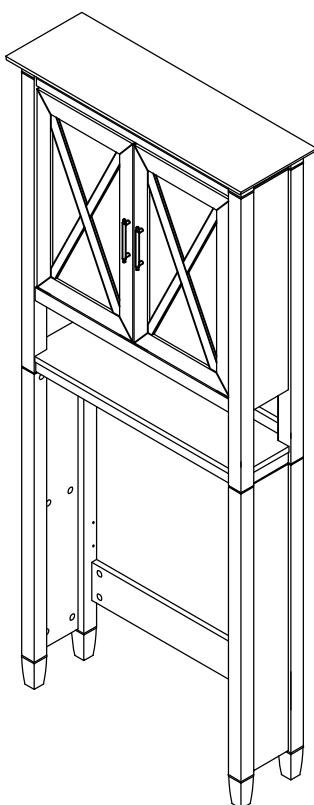


If you're having any difficulty during assembly of this product, don't hesitate to call us at **1-800-950-4782.**

Our customer service experts are trained to provide step-by-step instruction and can easily replace any missing or damaged parts.

**Representatives are available Monday-Friday from 8:30 a.m. to 7:30 p.m. (ET)**

## Over Toilet Storage



Lot Code #

Part Number A199338A

Keep manual for future reference.

**For best results, keep these tips in mind:**

- ① We know you want to finish this assembly as quickly as possible, but trust us: you'll have a better experience if you take it one step at a time.
- ② Give yourself some room to work near where you want the fully assembled product.
- ③ If your floor isn't carpeted, assemble this product on the empty carton to avoid scratching.
- ④ Do you have a friend who owes you a favor? Some steps may go a little easier with a second set of hands.

**DOs**

- ✔ Use a #2 Phillips head screwdriver (or other handheld tools as indicated)
- ✔ Wear safety glasses at all times during assembly
- ✔ Carefully follow the instructions in this guide and complete all steps in order
- ✔ Give us a call if you're having trouble with a particularly tricky step

**DON'Ts**

- ✘ We know power tools are quick and easy, but you shouldn't use them when assembling this product (unless otherwise specified)
- ✘ Never move your furniture with items inside or resting on the surface
- ✘ Do not attempt to use this product before all steps have been completed

**Watch assembly videos right on your phone or computer!**

Some steps include QR codes that link to helpful videos. Watch out for the icon below! Simply open up your smartphone camera to scan the code.

*(Users of older smartphones may need to install a QR Reader.)*

**SCAN HERE****FOR VIDEOS**

Or visit <https://bushfurniture.com/help-faq/#assembling>

# IMPORTANT SAFETY INFORMATION



## PLEASE READ WARNINGS

Improper use can cause safety hazards, or damage to your furniture and household items.

Warning	Do	Don't	Why it's important
<b>Serious injury may occur.</b>	<ul style="list-style-type: none"><li>Assemble following all instructions using all indicated parts and hardware provided.</li></ul>		Improper assembly, use or loading can lead to product instability, tip-over or collapse.

Advertencia	Hacer	No	Por qué es importante
<b>Se pueden producir lesiones graves.</b>	<ul style="list-style-type: none"><li>Ensamble siguiendo todas las instrucciones utilizando todas las piezas y ferretería indicados provistos.</li></ul>		El ensamblaje, uso o carga inadecuados pueden provocar inestabilidad del producto, vuelco o colapso.

Avertissement	Faire	Ne le fais pas	Pourquoi c'est important
<b>Des blessures graves peuvent survenir.</b>	<ul style="list-style-type: none"><li>Assemblez en suivant toutes les instructions en utilisant toutes les pièces et le matériel indiqués fournis.</li></ul>		Un assemblage, une utilisation ou un chargement incorrects peuvent entraîner une instabilité du produit, un renversement ou un effondrement.

# Wall Anchoring Guide

*If your wall material is not listed or if you have questions, consult with a local hardware retailer.*

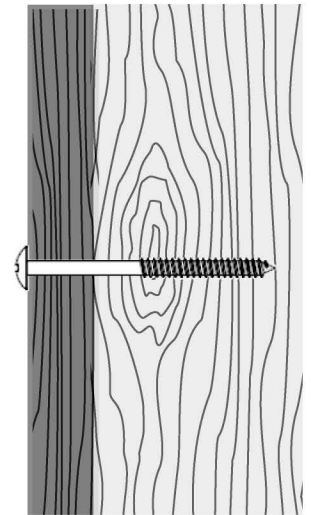
## PREFERRED METHOD:

### WALL MATERIAL

Drywall or plaster with available wood stud

### ANCHORING DEVICE

**Bush provided** #10 x 2.5" Truss-Head screw.



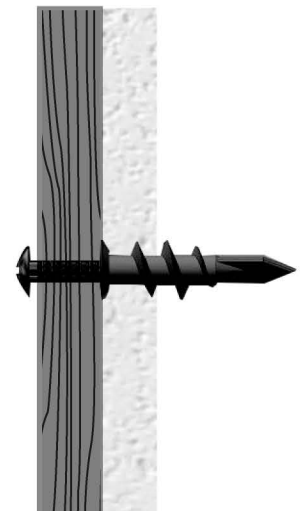
## ALTERNATE METHOD:

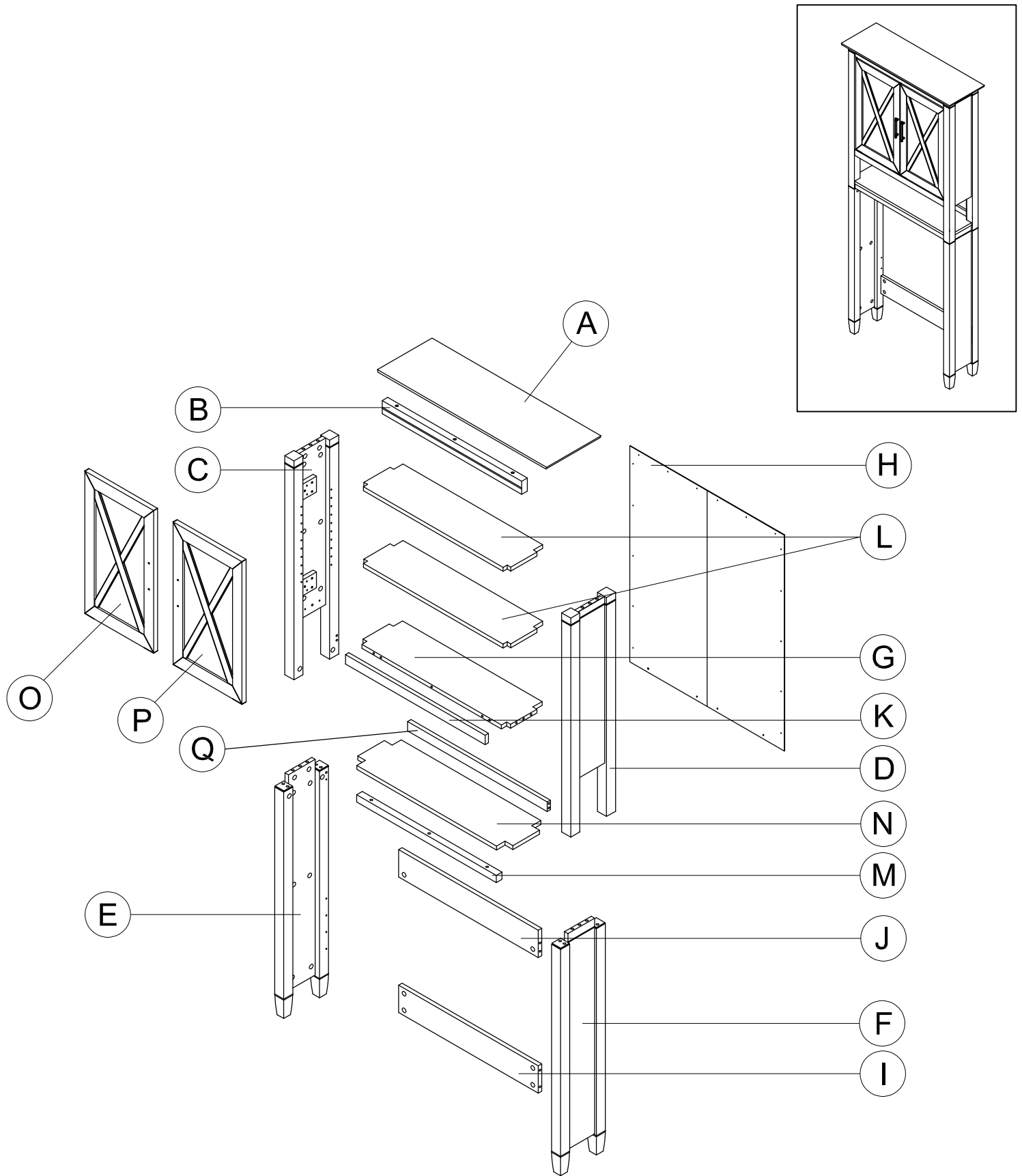
### WALL MATERIAL

Drywall without available wood stud

### ANCHORING DEVICE

**Bush provided** self-drilling drywall anchor and screw.





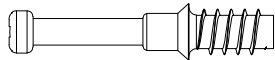
Have an assembly question or need a replacement part? Just call  
**1-800-950-4782**, we are here to help.

# Get to know your Fasteners

A199338A

Fasteners are shown actual size.

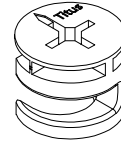
H180604



KD Bolt

[ 24 ]

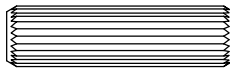
H200020



KD Cam

[ 32 ]

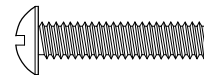
H38169



Wood Dowel  
8 x 30mm

[ 18 ]

H127839



M4 x 22mm

[ 4 ]

H200033



M4 X 38mm

[ 3 ]

H200028



M3.5 X 16mm

[ 8 ]

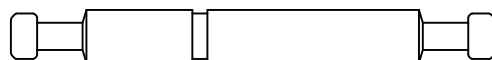
H200026



M3 X 12mm

[ 6 ]

H200034



Connector Fix 2 Head 64mm

[ 4 ]

Have an assembly question or need a replacement part? Just call  
**1-800-950-4782**, we are here to help.

Hardware not to scale.

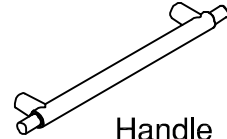
H200021



Tack Glide

[ 4 ]

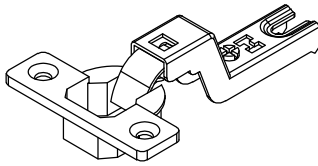
H180971



Handle

[ 2 ]

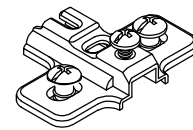
H170611



Hinge

[ 4 ]

H170612



Mounting Plate

[ 4 ]

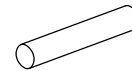
H200022



Bumper  
Ø12x2mm

[ 2 ]

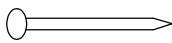
H23604



Shelf Pin  
1" x 3/16"

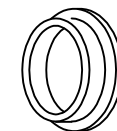
[ 8 ]

H200011



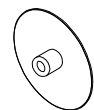
Nail

[ 16 ]



Screw Cap

[ 7 ]



Cover Cap

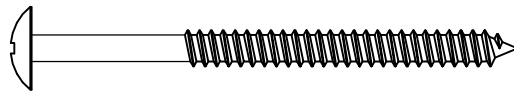
[ 45 ]

Have an assembly question or need a replacement part? Just call  
**1-800-950-4782**, we are here to help.

Hardware not to scale.

## WALL ATTACHMENT HARDWARE

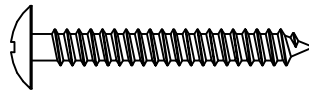
H194287



[ 2 ]

# 10 X 2.5 "

H200043



[ 2 ]

M4 X 38mm

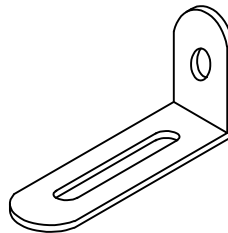
H200009



[ 2 ]

Wall Anchor

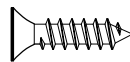
H191090



[ 2 ]

Angle Bracket

H200028



[ 2 ]

M3.5 X 16mm

Have an assembly question or need a replacement part? Just call  
**1-800-950-4782**, we are here to help.

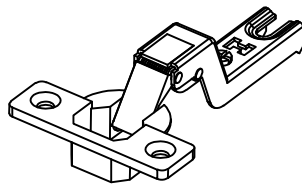


# STEP 1

## Prepare Doors

A199338A

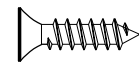
H170611



Hinge

[ 4 ]

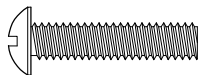
H200028



M3.5 X 16mm

[ 8 ]

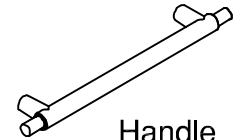
H127839



M4 x 22mm

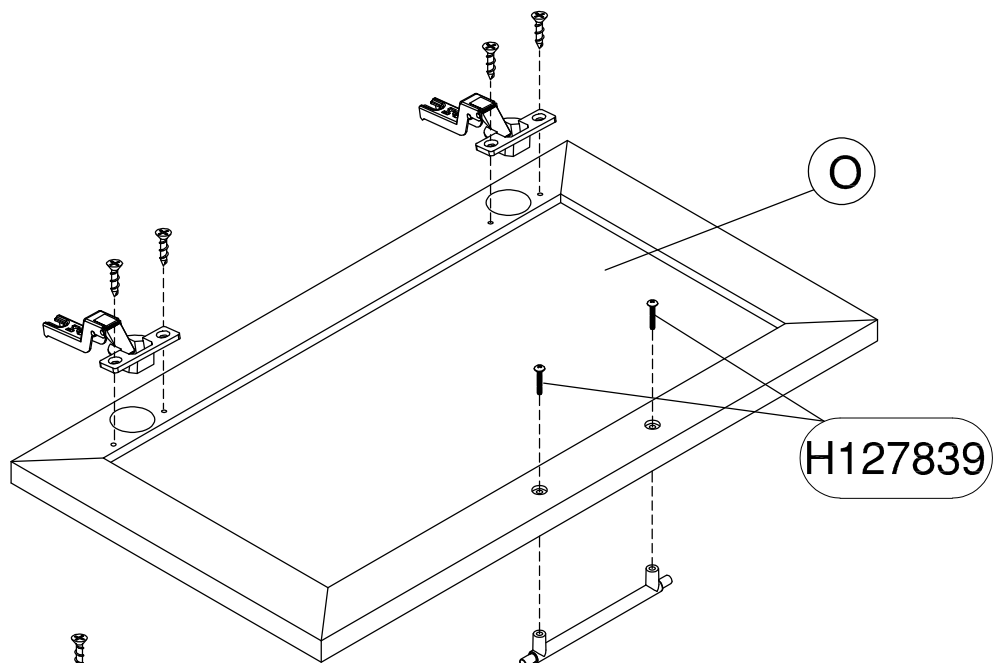
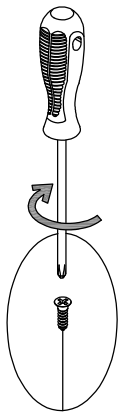
[ 4 ]

H180971

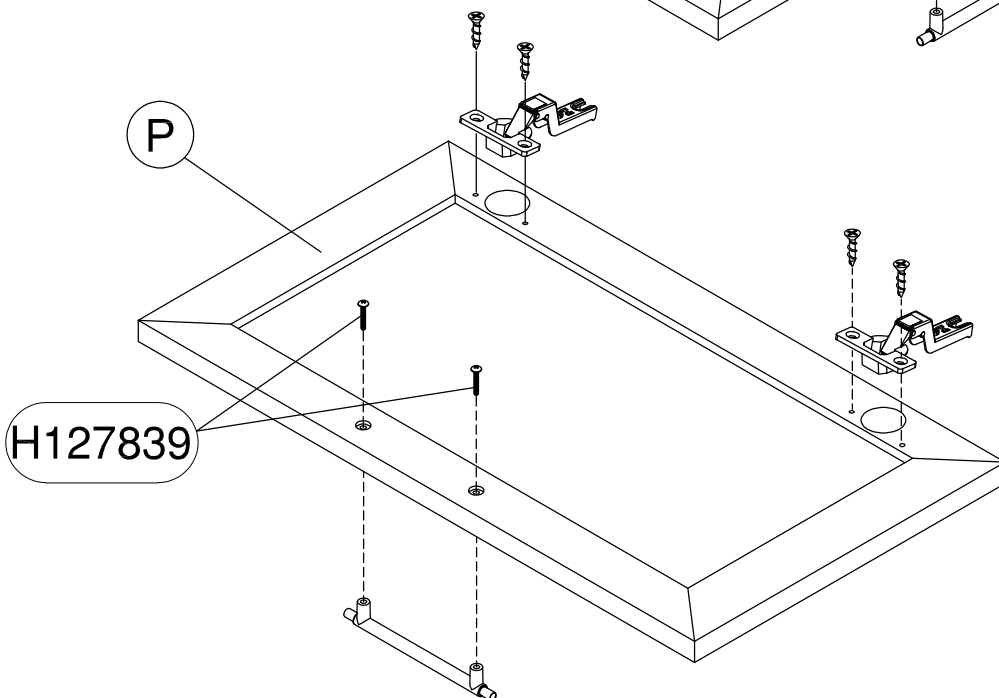


Handle

[ 2 ]



H127839



H127839

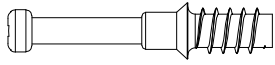
Have an assembly question or need a replacement part? Just call  
**1-800-950-4782**, we are here to help.

# STEP 2

# Prepare Panels

A199338A

H180604



[ 4 ]

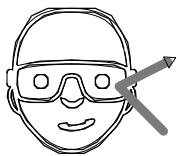
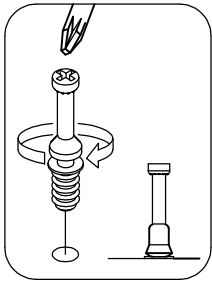
KD Bolt

H38169

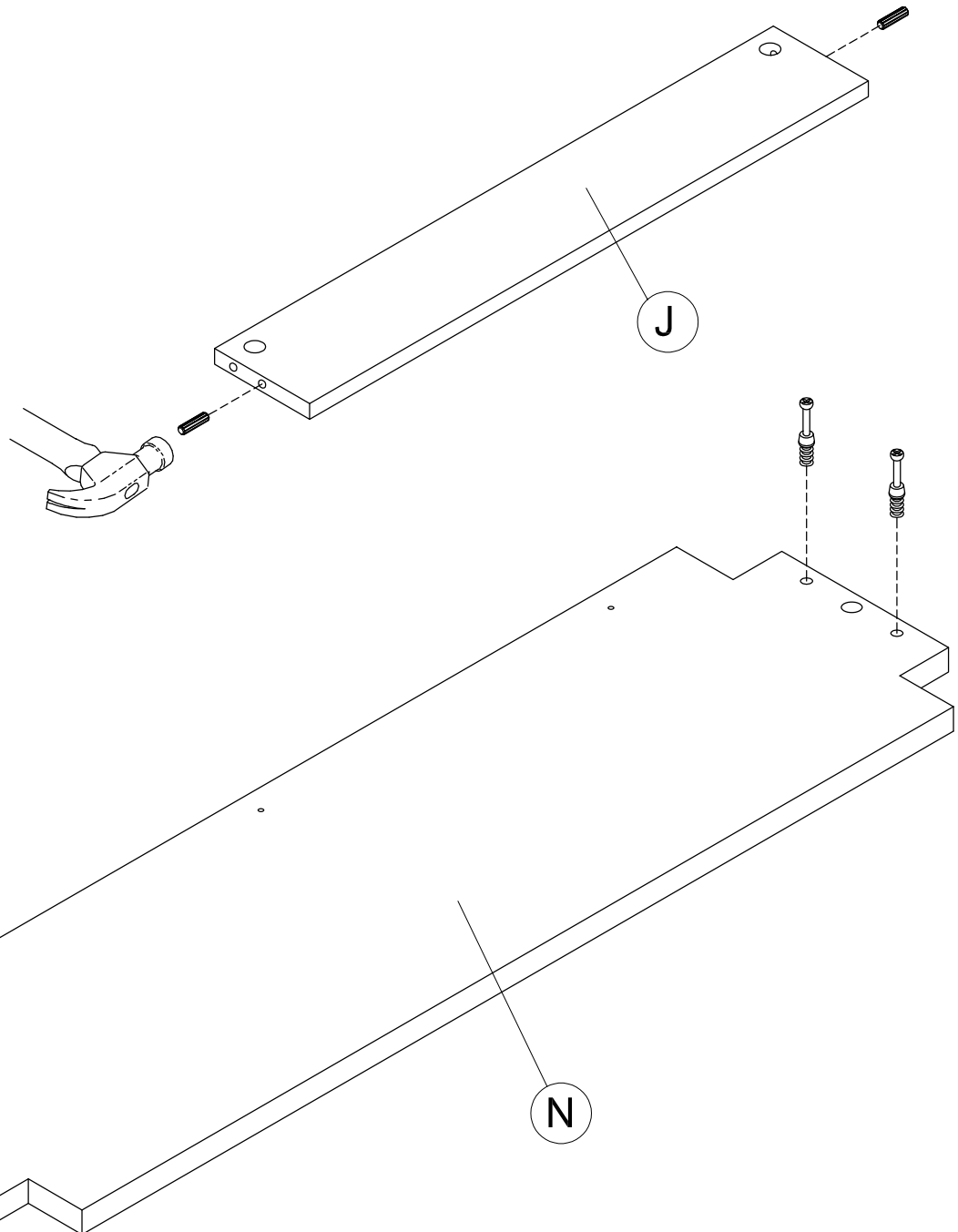


[ 2 ]

Wood Dowel  
8 x 30mm

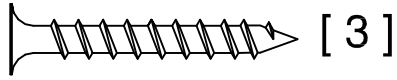


Safety glasses  
Gafas de seguridad  
Lunettes de protection

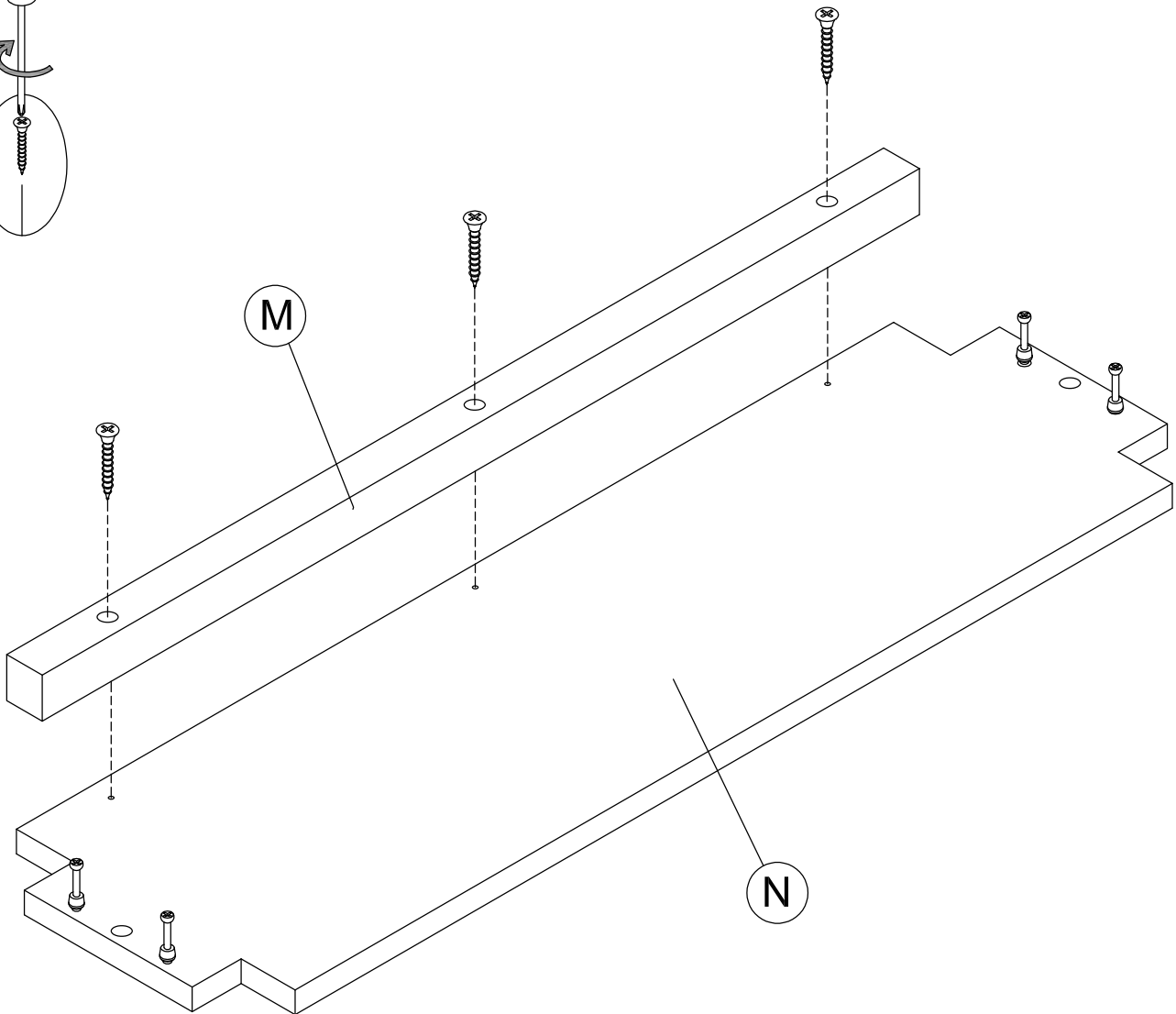
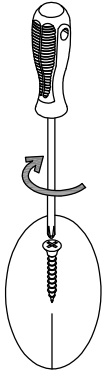


Have an assembly question or need a replacement part? Just call  
**1-800-950-4782**, we are here to help.

H200033



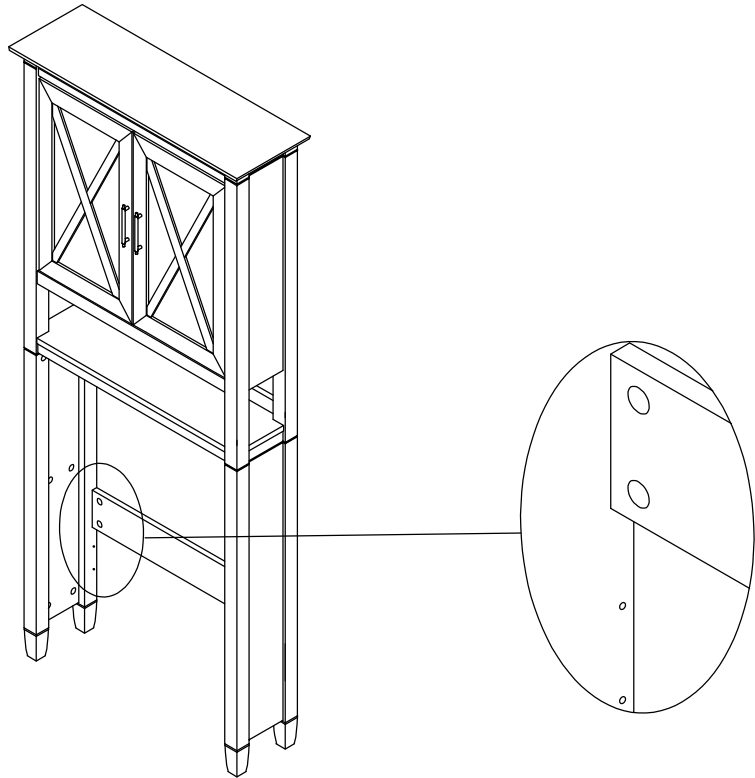
M4 X 38mm



Have an assembly question or need a replacement part? Just call  
**1-800-950-4782**, we are here to help.

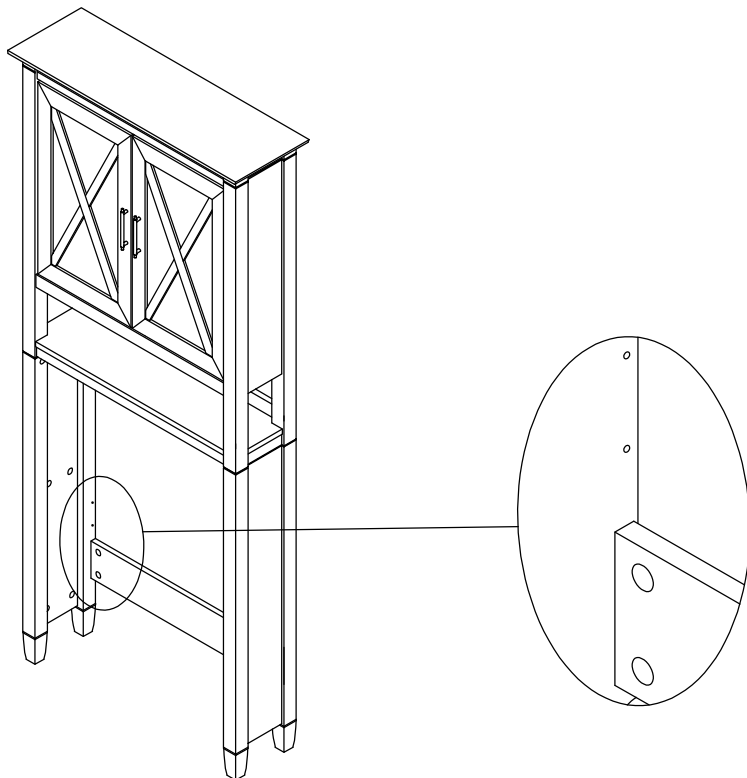
### Upper Option

**Go to step 5**  
**Proceda al paso 5**  
**Allez a l'etape 5**



### Lower Option

**Go to step 6**  
**Proceda al paso 6**  
**Allez a l'etape 6**



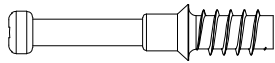
Have an assembly question or need a replacement part? Just call  
**1-800-950-4782**, we are here to help.

# STEP 5

# Prepare Panels

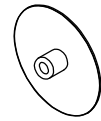
A199338A

H180604



[ 6 ]

KD Bolt



[ 12 ]

Cover Cap

H38169



[ 2 ]

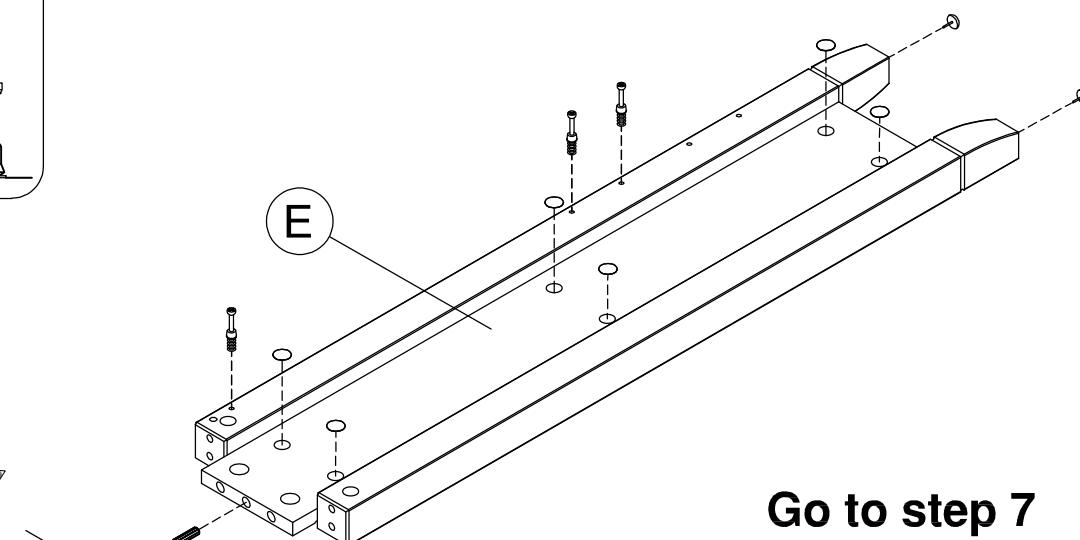
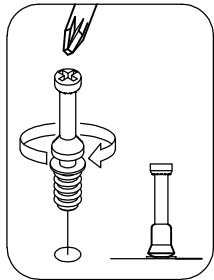
Wood Dowel  
8 x 30mm

H200021

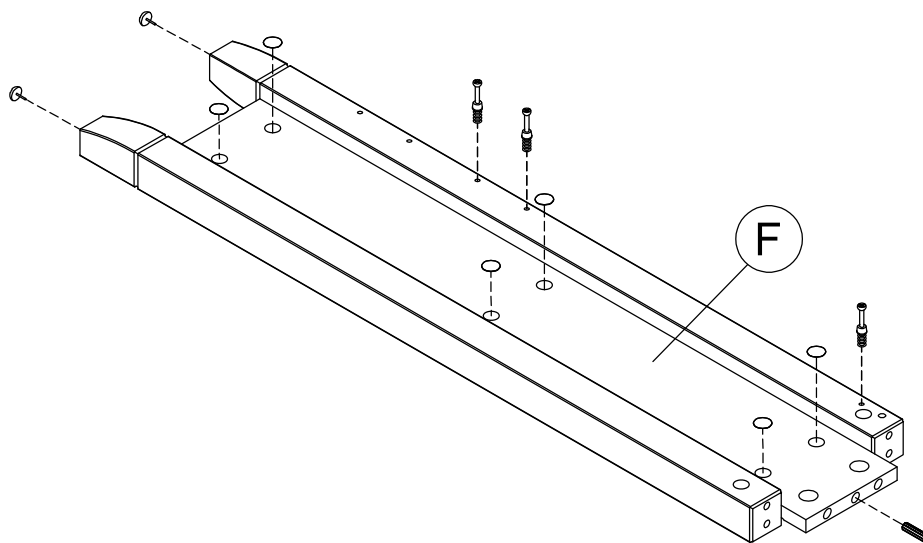


[ 4 ]

Tack Glide



**Go to step 7**  
**Proceda al paso 7**  
**Allez a l'etape 7**



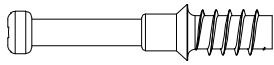
Have an assembly question or need a replacement part? Just call  
**1-800-950-4782**, we are here to help.

# STEP 6

# Prepare Panels

A199338A

H180604



KD Bolt

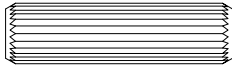
[ 6 ]



[ 12 ]

Cover Cap

H38169



Wood Dowel  
8 x 30mm

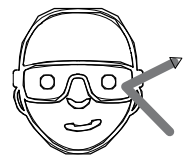
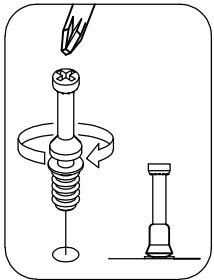
[ 2 ]

H200021

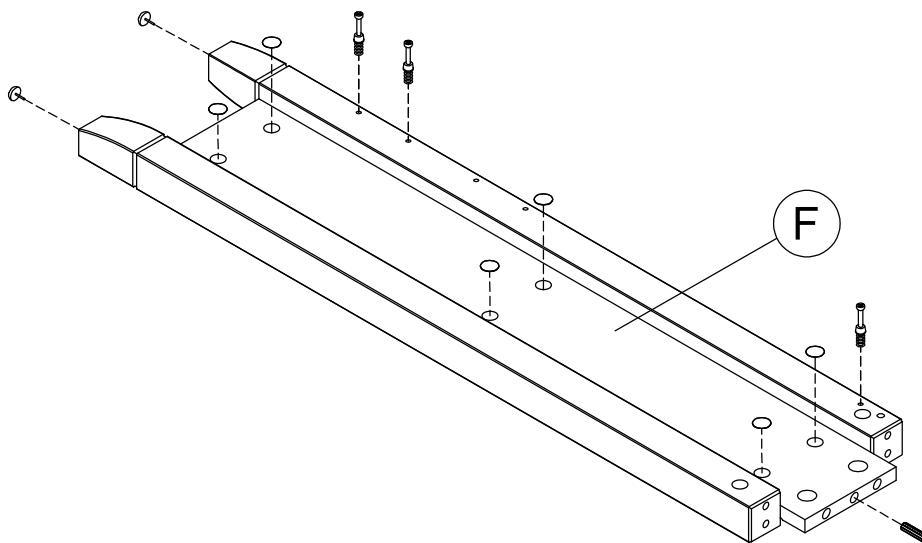
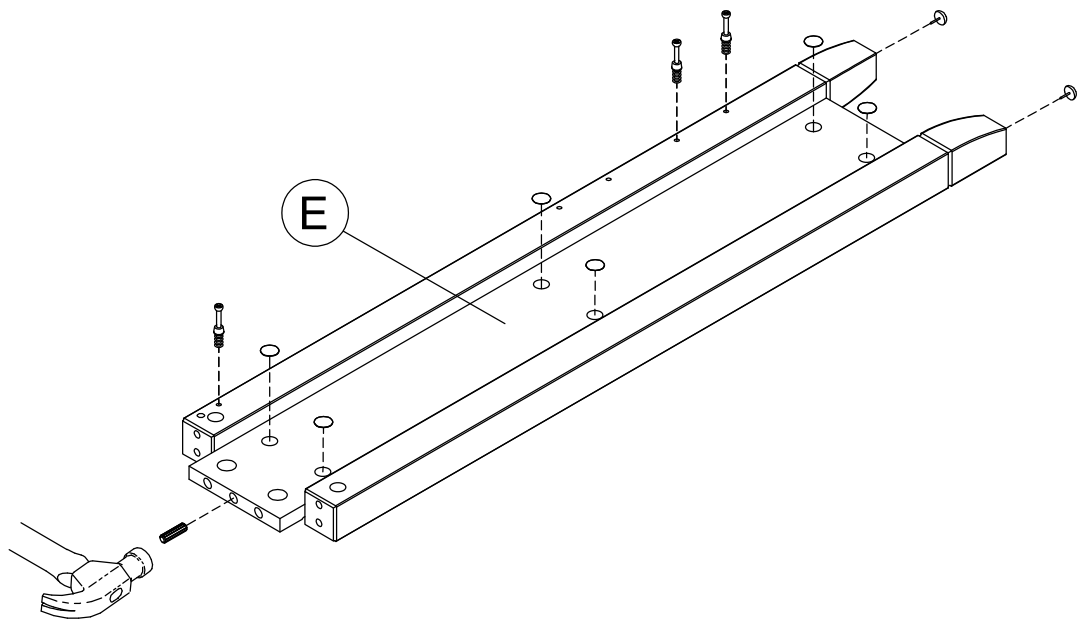


[ 4 ]

Tack Glide



Safety glasses  
Gafas de seguridad  
Lunettes de protection



Have an assembly question or need a replacement part? Just call  
**1-800-950-4782**, we are here to help.

# STEP 7

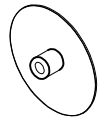
# Assemble Panels

A199338A

Scan QR Code to Watch Video on:



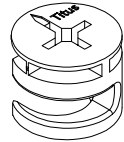
How to Tighten KD Cams



Cover Cap

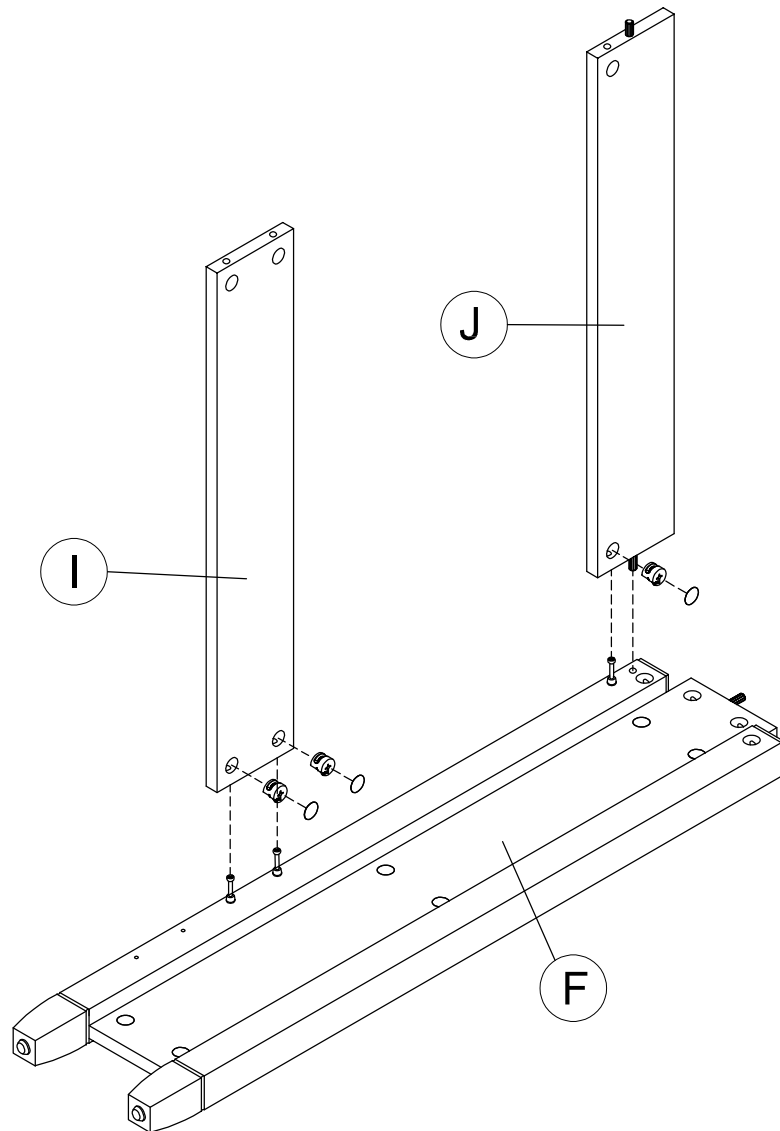
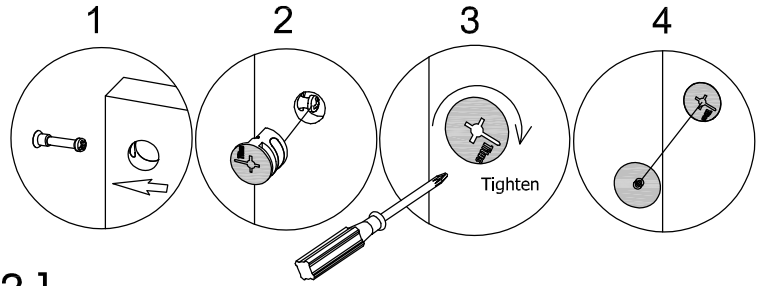
[ 3 ]

H200020



KD Cam

[ 3 ]



Have an assembly question or need a replacement part? Just call **1-800-950-4782**, we are here to help.

# STEP 8

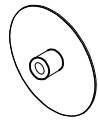
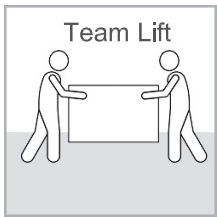
# Assemble Panels

A199338A

Scan QR Code to Watch Video on:



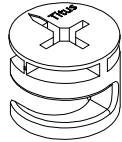
How to Tighten KD Cams



Cover Cap

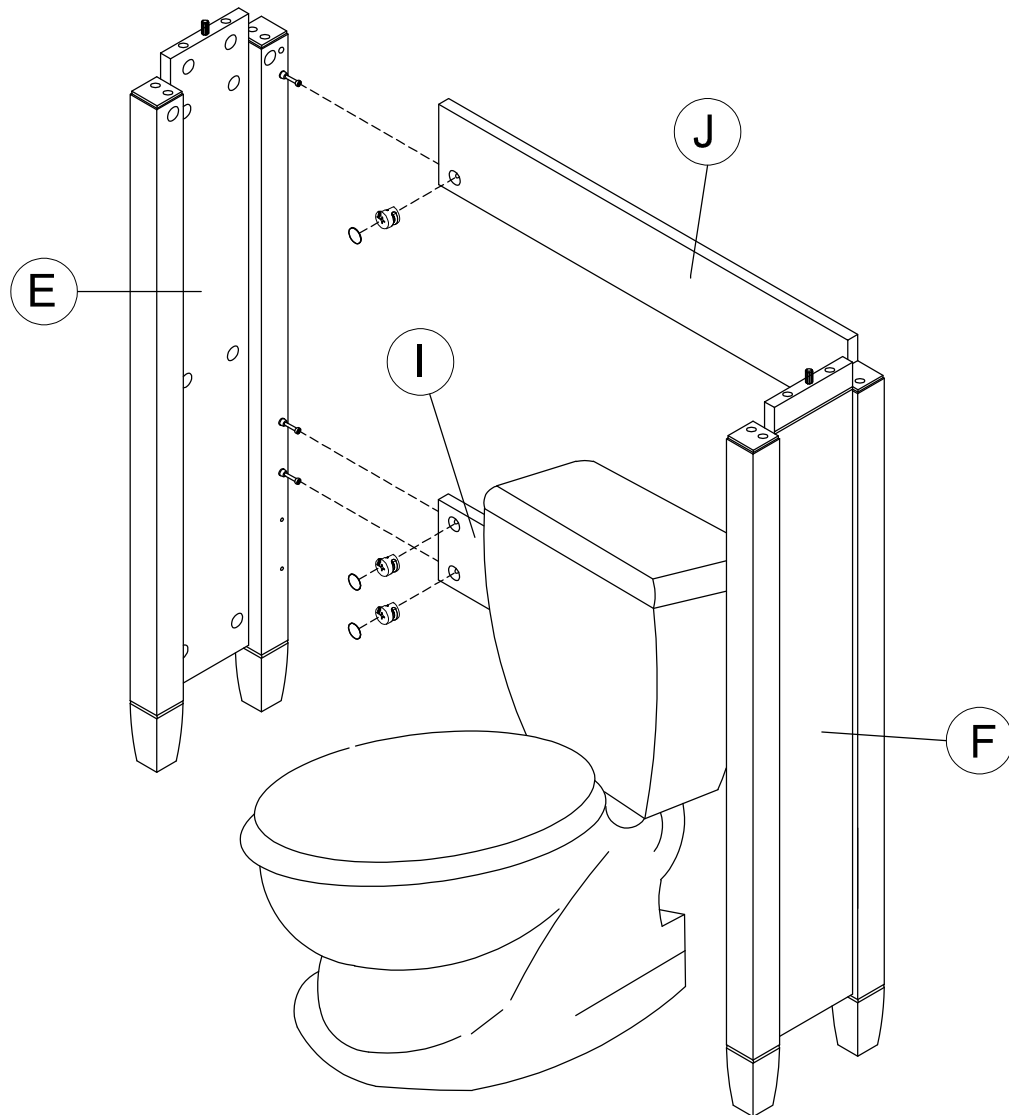
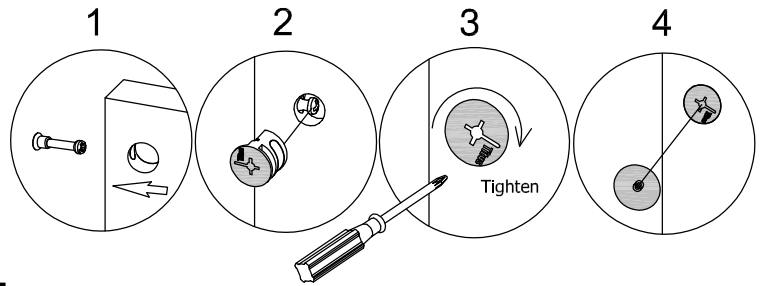
[ 3 ]

H200020



KD Cam

[ 3 ]



Have an assembly question or need a replacement part? Just call **1-800-950-4782**, we are here to help.



# STEP 9

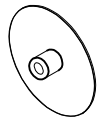
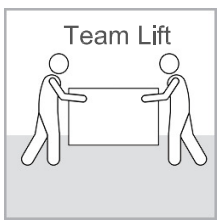
## Assemble Panels

A199338A

Scan QR Code to Watch Video on:



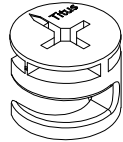
How to Tighten KD Cams



Cover Cap

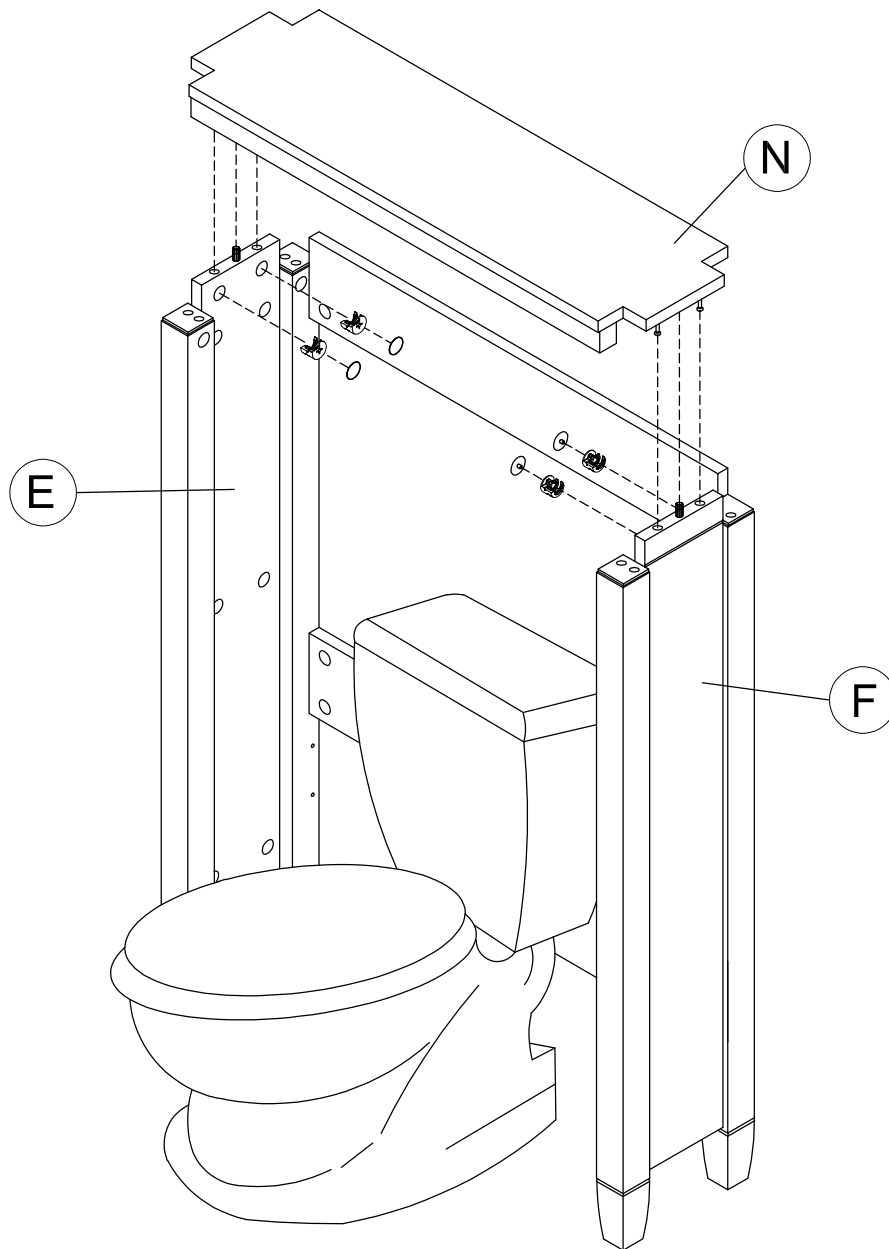
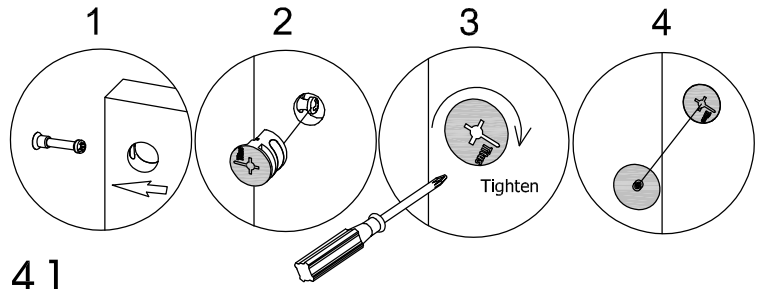
[ 4 ]

H200020



KD Cam

[ 4 ]



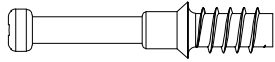
Have an assembly question or need a replacement part? Just call **1-800-950-4782**, we are here to help.

# STEP 10

# Prepare Panel

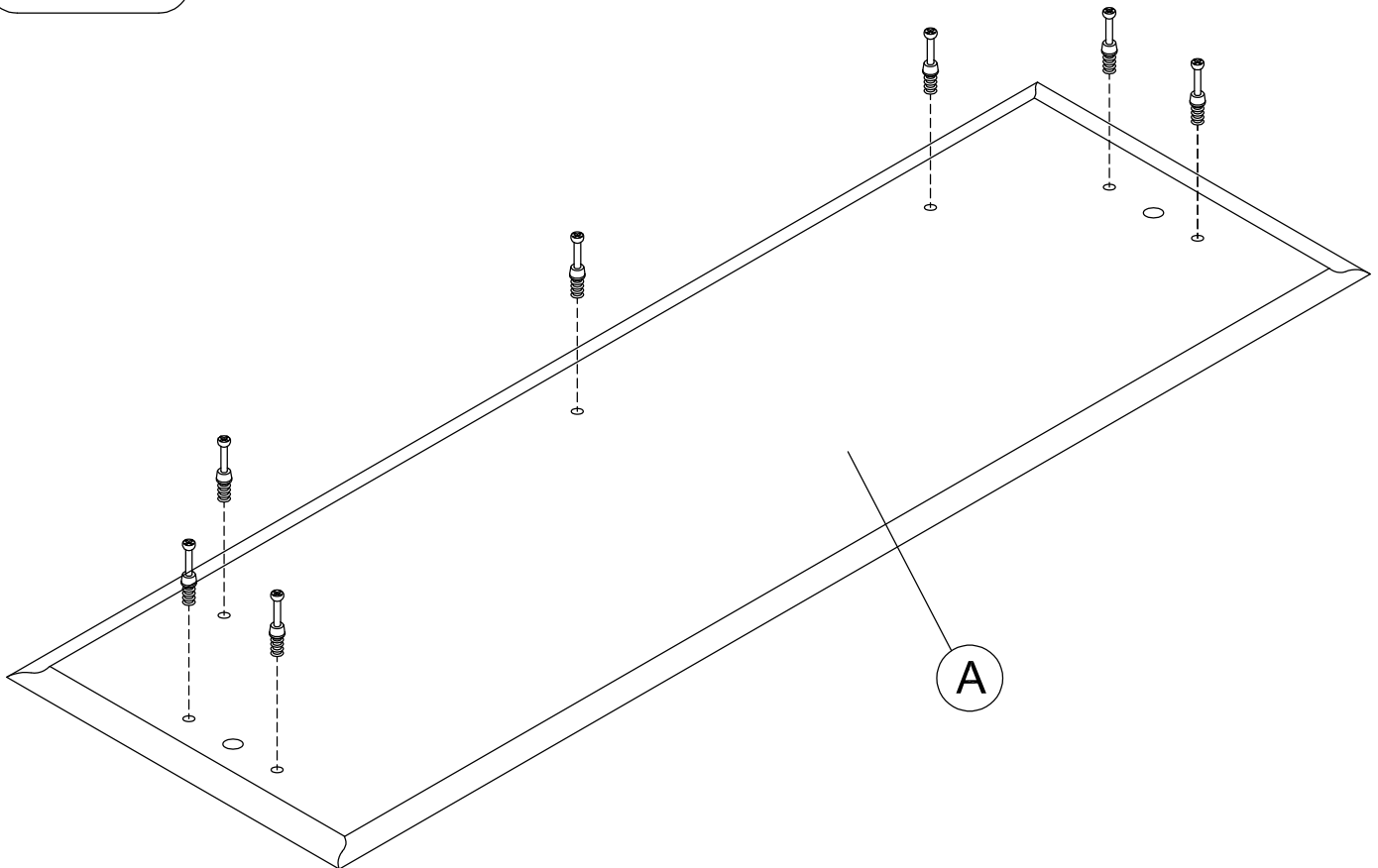
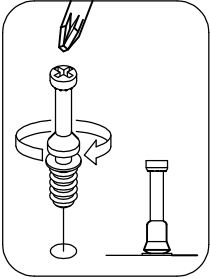
A199338A

H180604



[ 7 ]

KD Bolt



Have an assembly question or need a replacement part? Just call  
**1-800-950-4782**, we are here to help.

# STEP 11

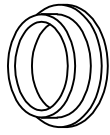
## Assemble Panels

A199338A

Scan QR Code to Watch Video on:



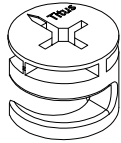
How to Tighten KD Cams



Screw Cap

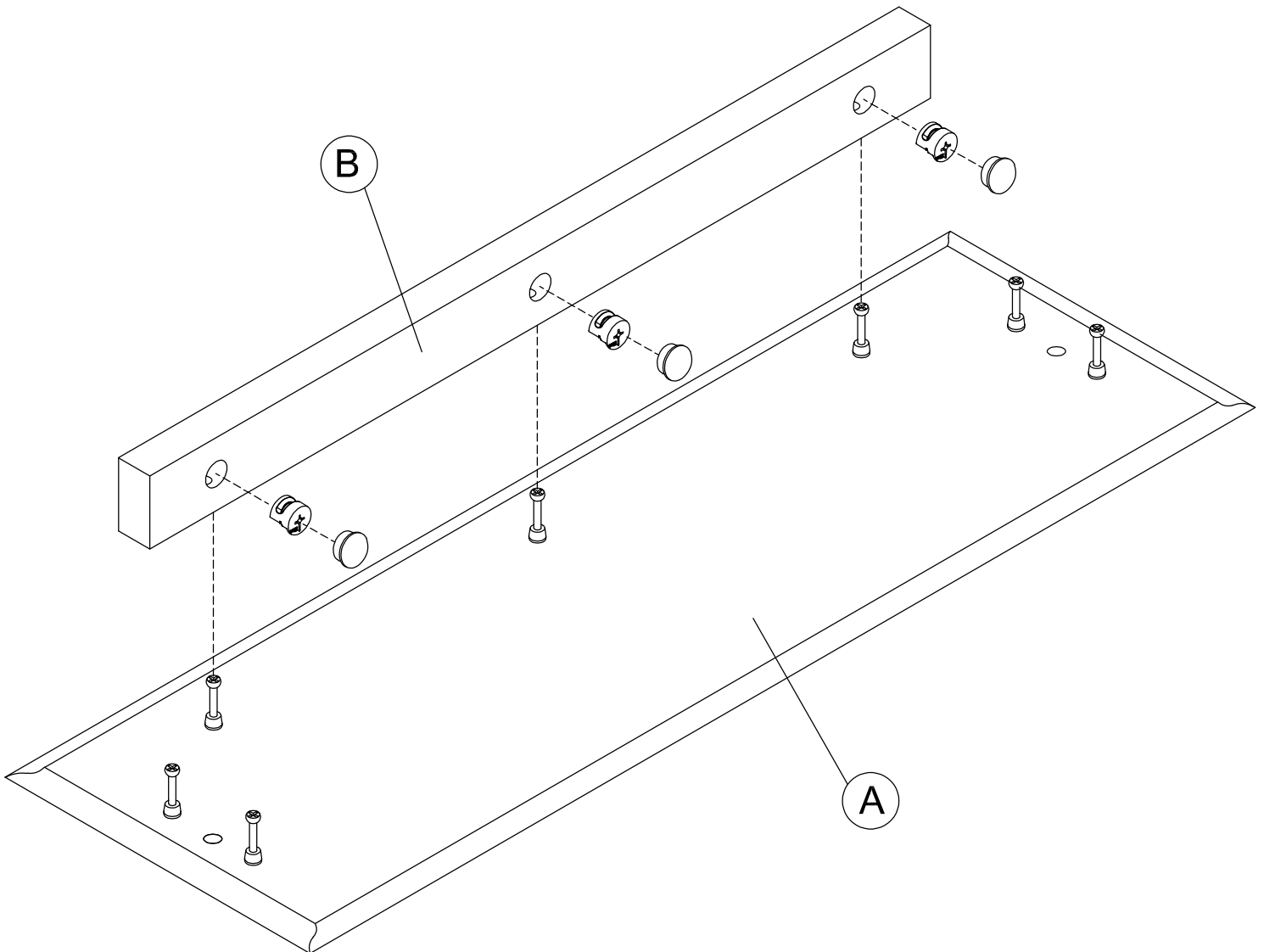
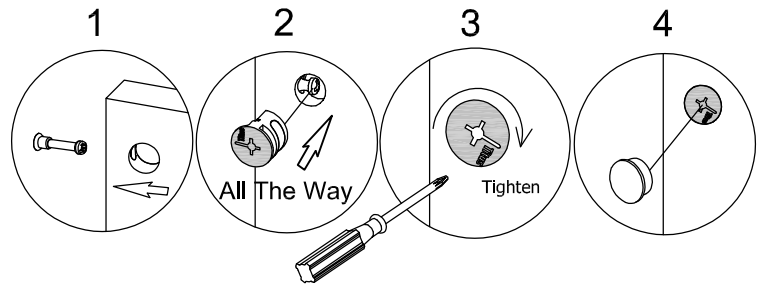
[ 3 ]

H200020



KD Cam

[ 3 ]



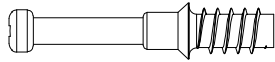
Have an assembly question or need a replacement part? Just call **1-800-950-4782**, we are here to help.

# STEP 12

# Prepare Panels

A199338A

H180604



KD Bolt

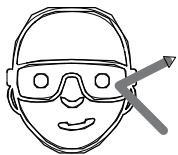
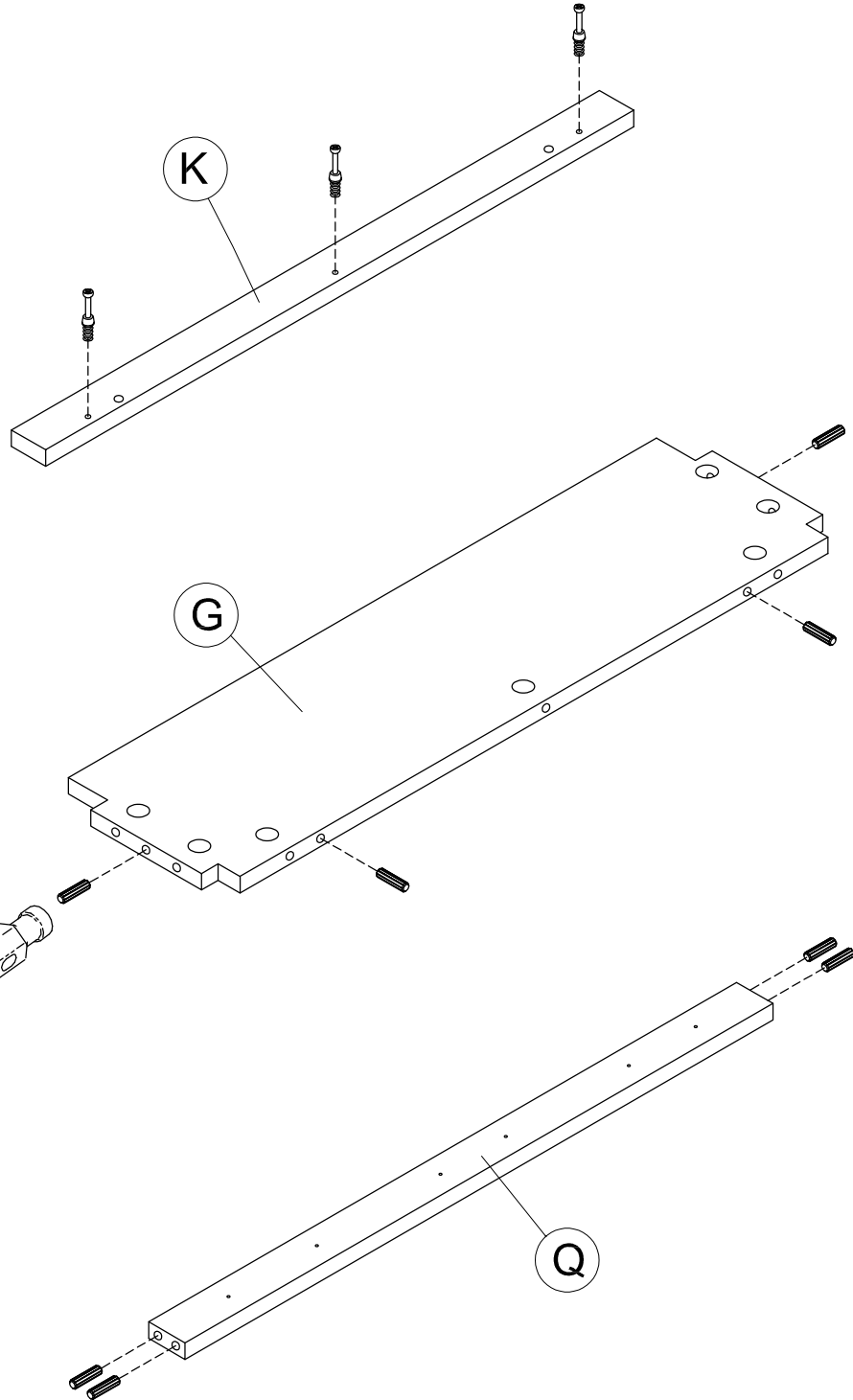
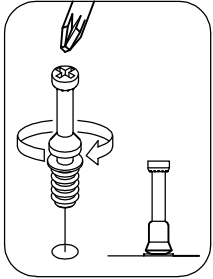
[ 3 ]

H38169



Wood Dowel  
8 x 30mm

[ 8 ]



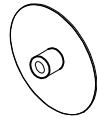
Safety glasses  
Gafas de seguridad  
Lunettes de protection

Have an assembly question or need a replacement part? Just call  
**1-800-950-4782**, we are here to help.

Scan QR Code to Watch Video on:



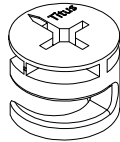
How to Tighten KD Cams



Cover Cap

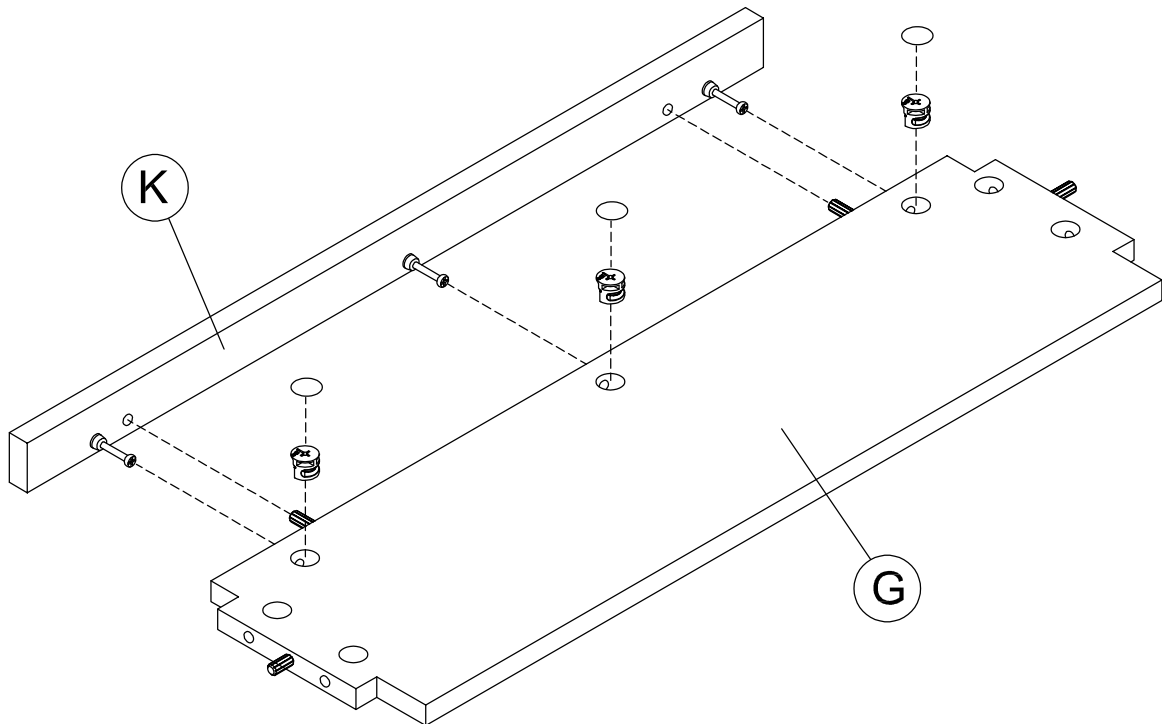
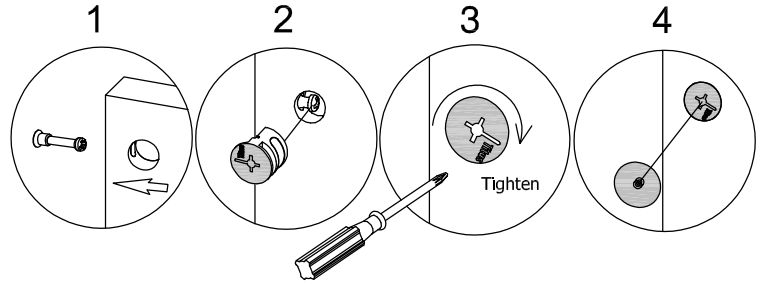
[ 3 ]

H200020



KD Cam

[ 3 ]



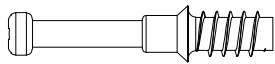
Have an assembly question or need a replacement part? Just call **1-800-950-4782**, we are here to help.

# STEP 14

# Prepare Panels

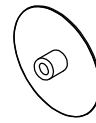
A199338A

H180604



[ 4 ]

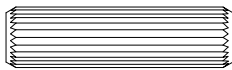
KD Bolt



[ 12 ]

Cover Cap

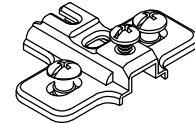
H38169



[ 6 ]

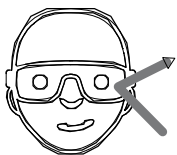
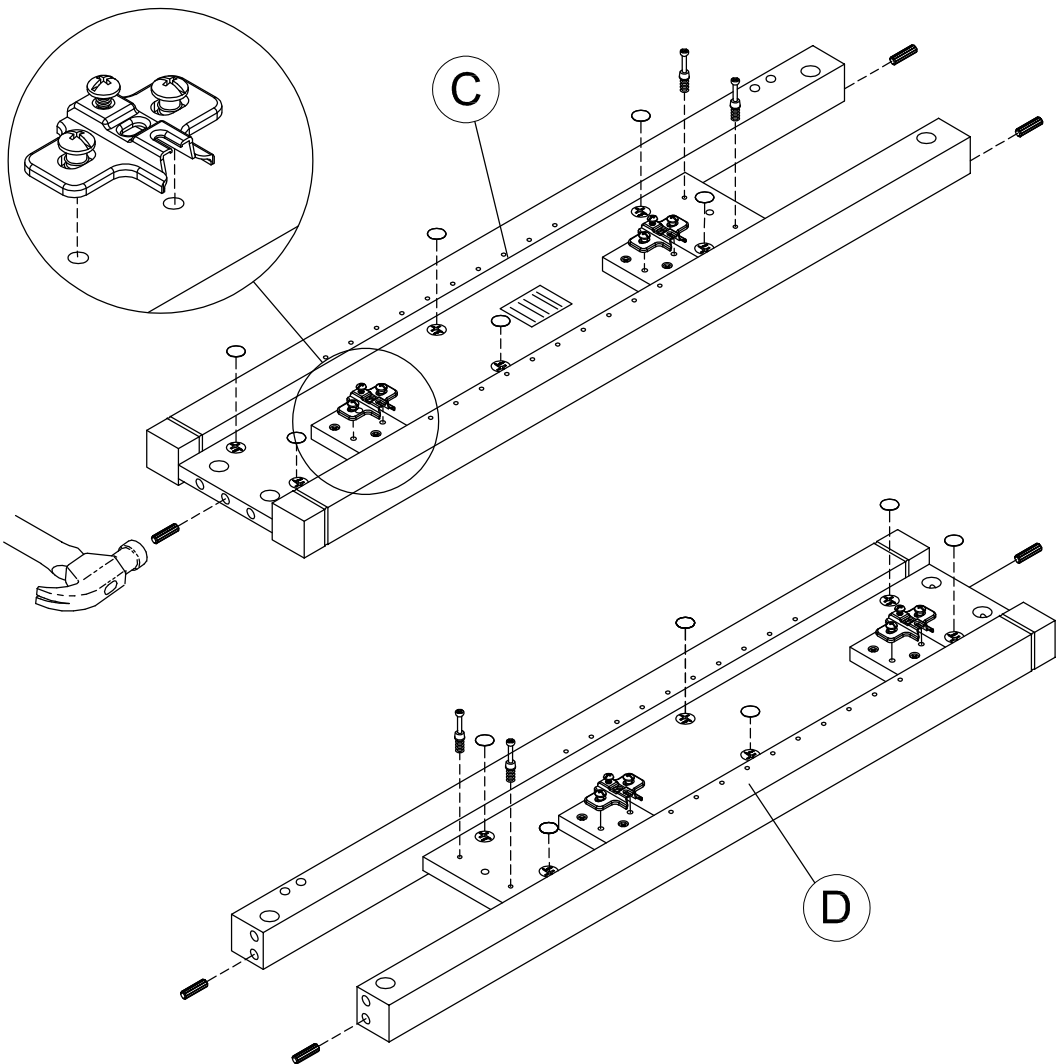
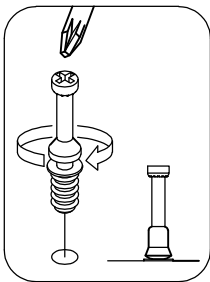
Wood Dowel  
8 x 30mm

H170612



[ 4 ]

Mounting Plate



Safety glasses  
Gafas de seguridad  
Lunettes de protection

Have an assembly question or need a replacement part? Just call  
**1-800-950-4782**, we are here to help.

# STEP 15

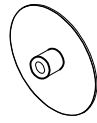
# Assemble Panels

A199338A

Scan QR Code to Watch Video on:



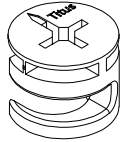
How to Tighten KD Cams



Cover Cap

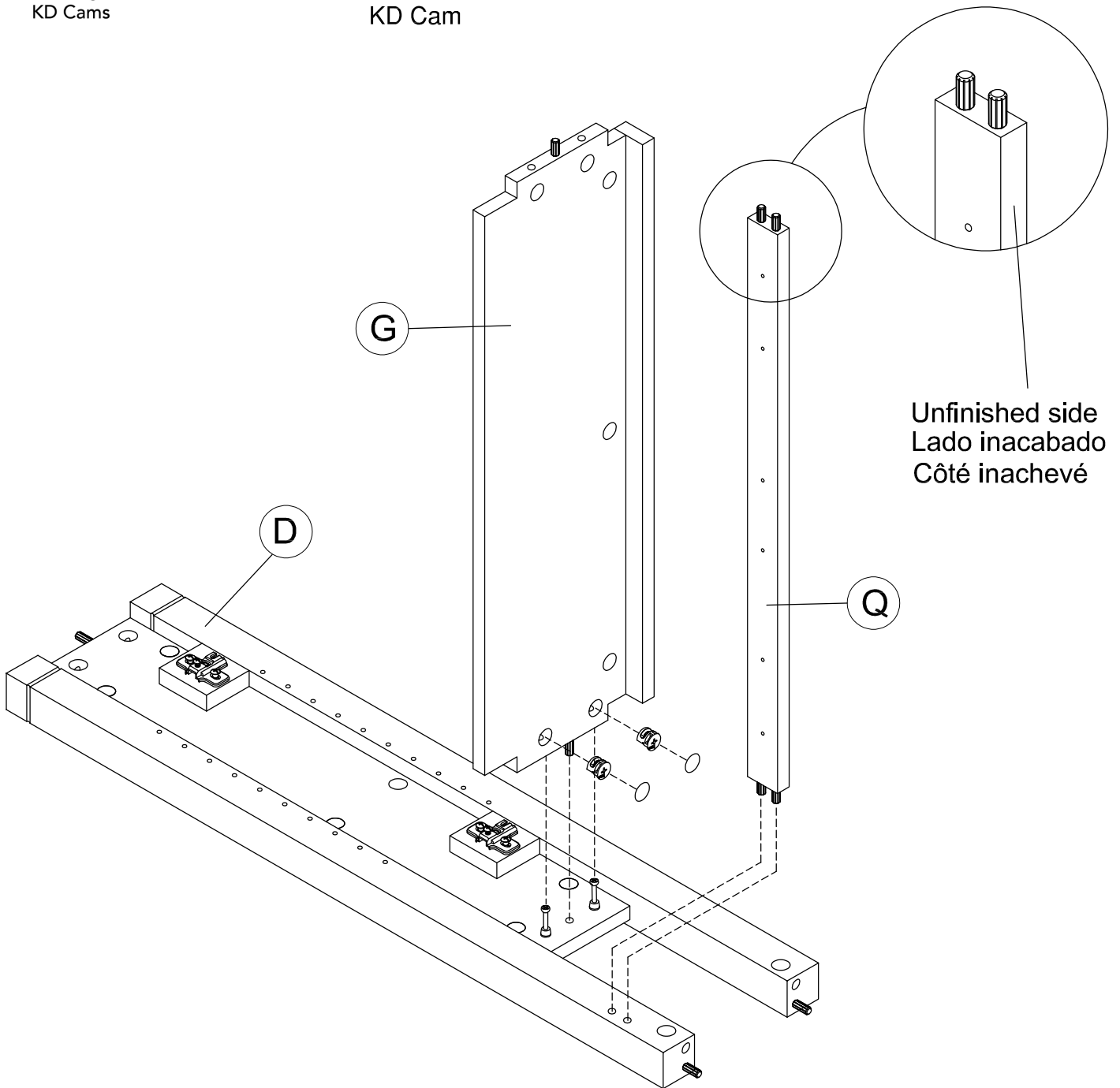
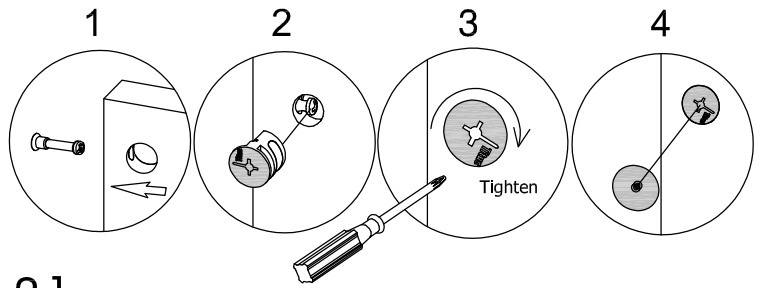
[ 2 ]

H200020



KD Cam

[ 2 ]



Unfinished side  
Lado inacabado  
Côté inachevé

Have an assembly question or need a replacement part? Just call **1-800-950-4782**, we are here to help.

# STEP 16

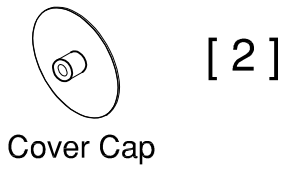
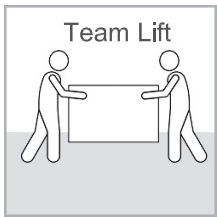
# Assemble Panels

A199338A

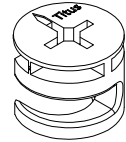
Scan QR Code to Watch Video on:



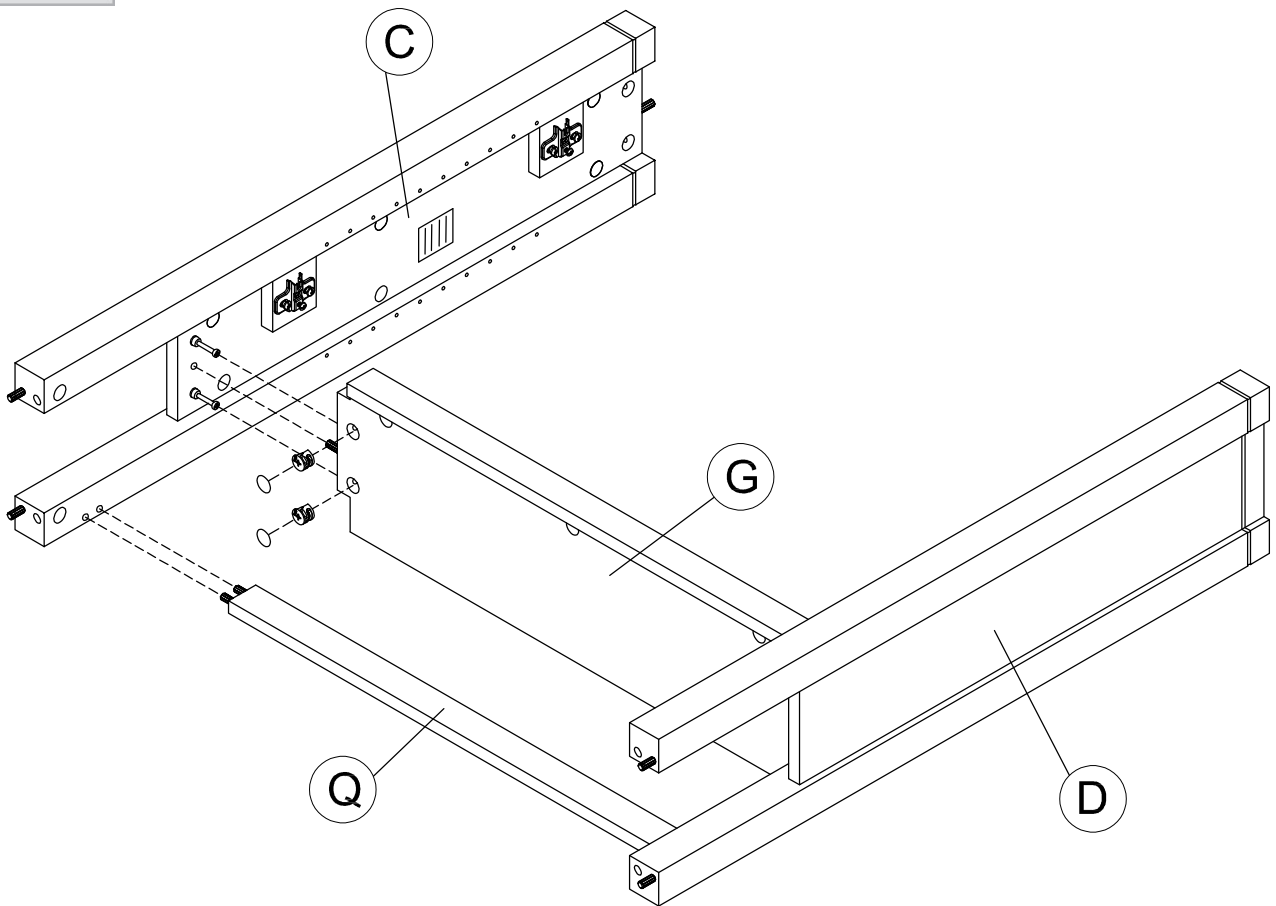
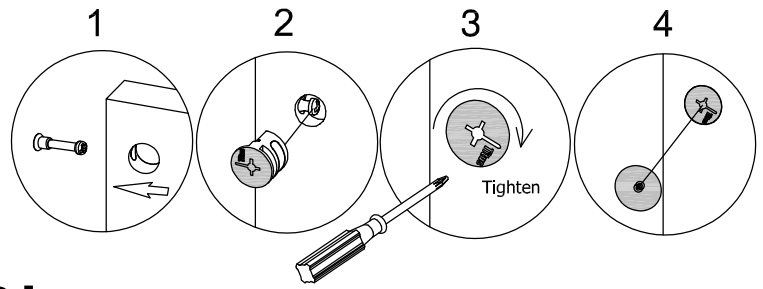
How to Tighten KD Cams



H200020



KD Cam



Have an assembly question or need a replacement part? Just call **1-800-950-4782**, we are here to help.



# STEP 17

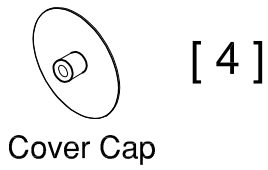
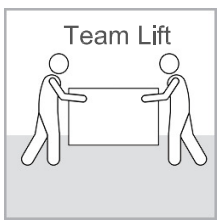
# Assemble Panels

A199338A

Scan QR Code to Watch Video on:

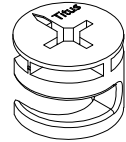


How to Tighten KD Cams



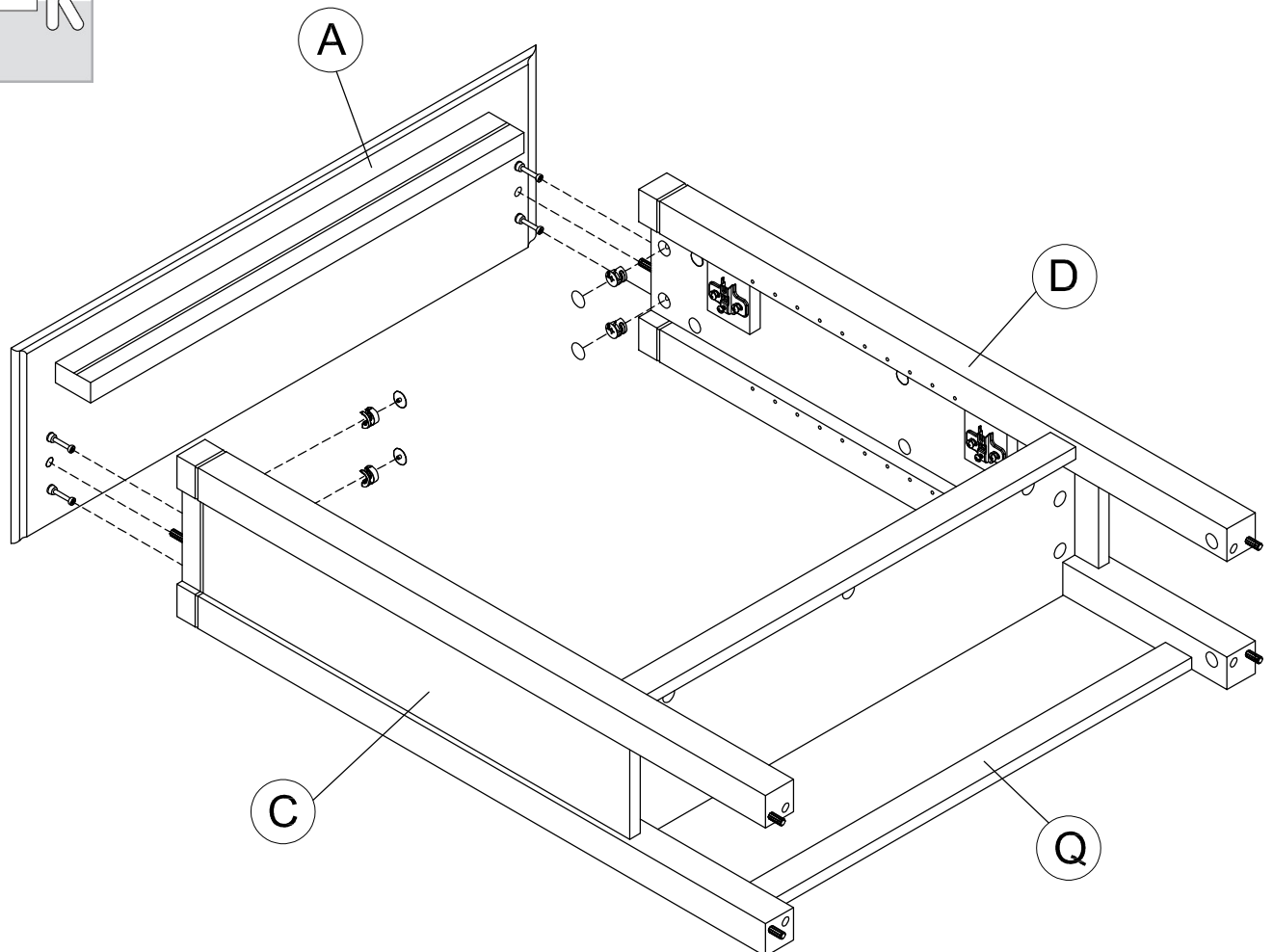
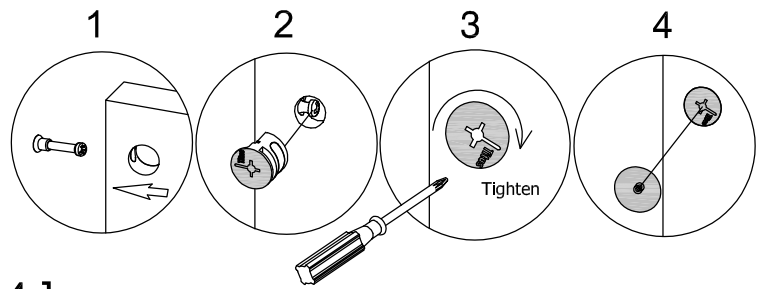
Cover Cap

H200020



KD Cam

[ 4 ]



Have an assembly question or need a replacement part? Just call **1-800-950-4782**, we are here to help.

# STEP 18

# Install Fasteners

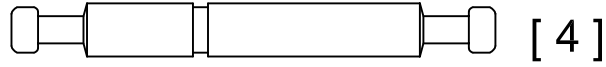
A199338A

Scan QR Code to Watch Video on:



How to Tighten KD Cams

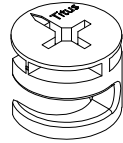
H200034



[ 4 ]

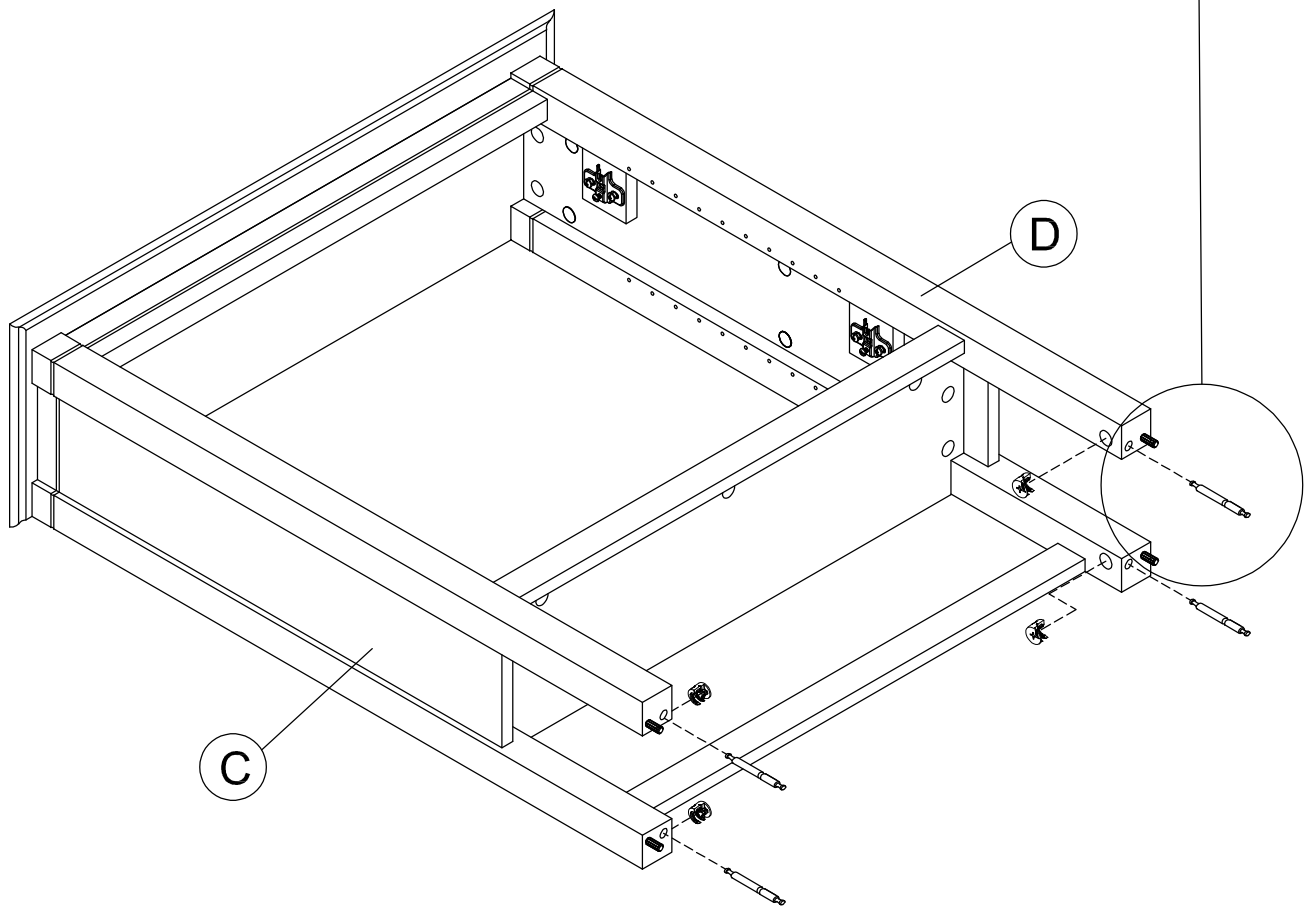
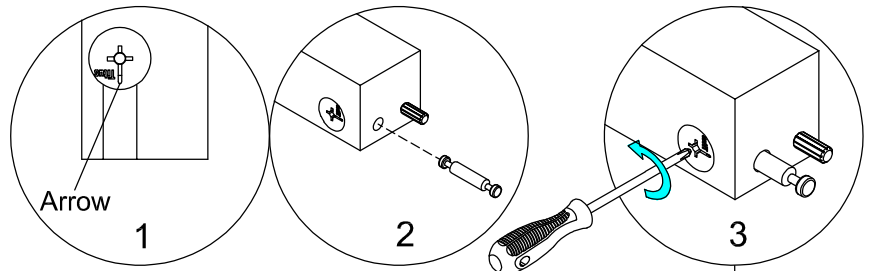
Connector Fix 2 Head 64mm

H200020



[ 4 ]

KD Cam



Have an assembly question or need a replacement part? Just call **1-800-950-4782**, we are here to help.

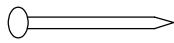
# STEP 19

## Attach Back Panel

A199338A



H200011



[ 16 ]

Nail

H200026



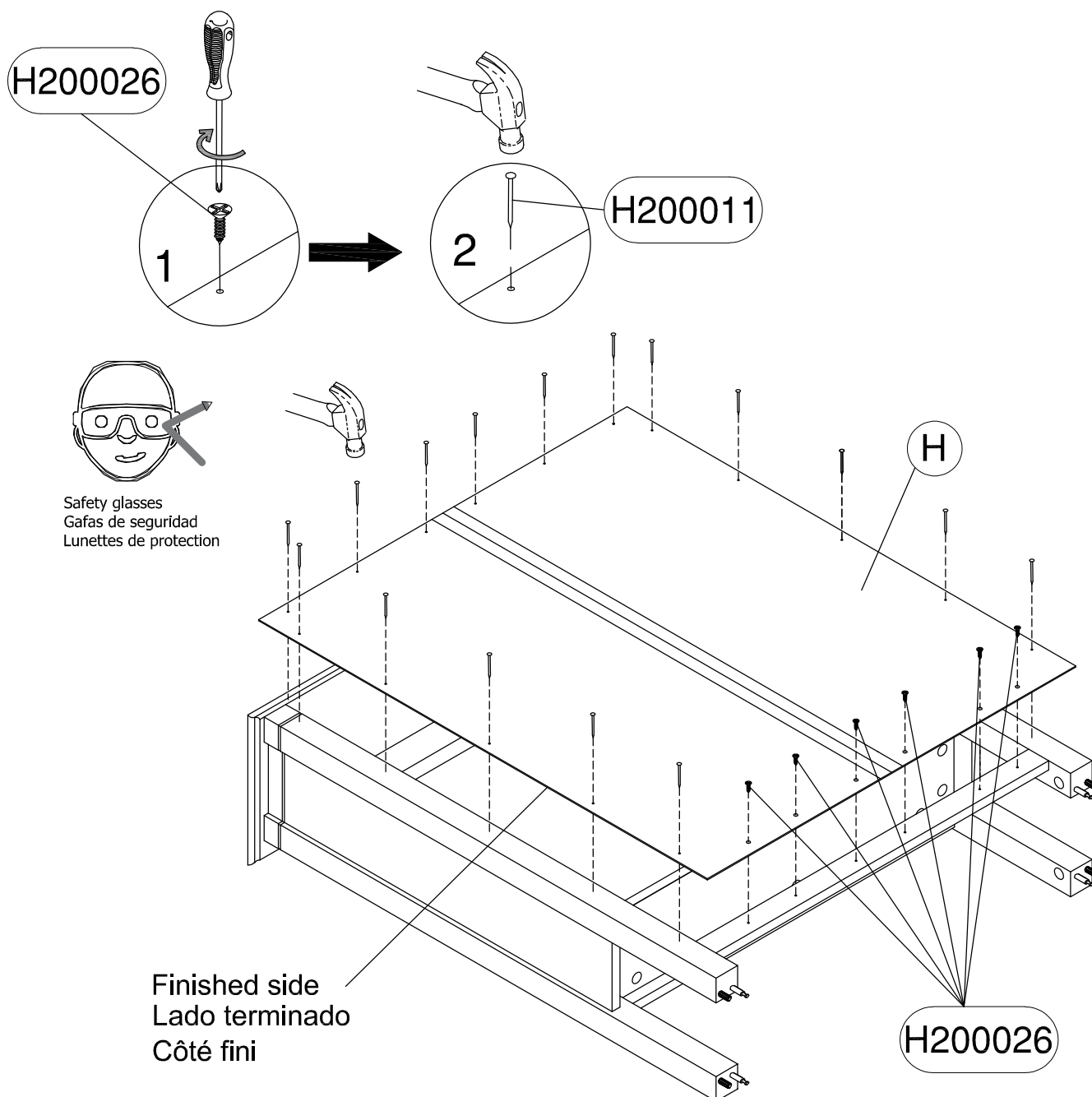
[ 6 ]

M3 X 12mm

**Center the back panel so that the back panel does not stick out past the edge of the unit.**

Centrez le panneau arrière de manière à ce qu'il ne reste pas au-delà du bord de l'appareil.

Centre el panel posterior de modo que el panel posterior no se pegue más allá del borde de la unidad.



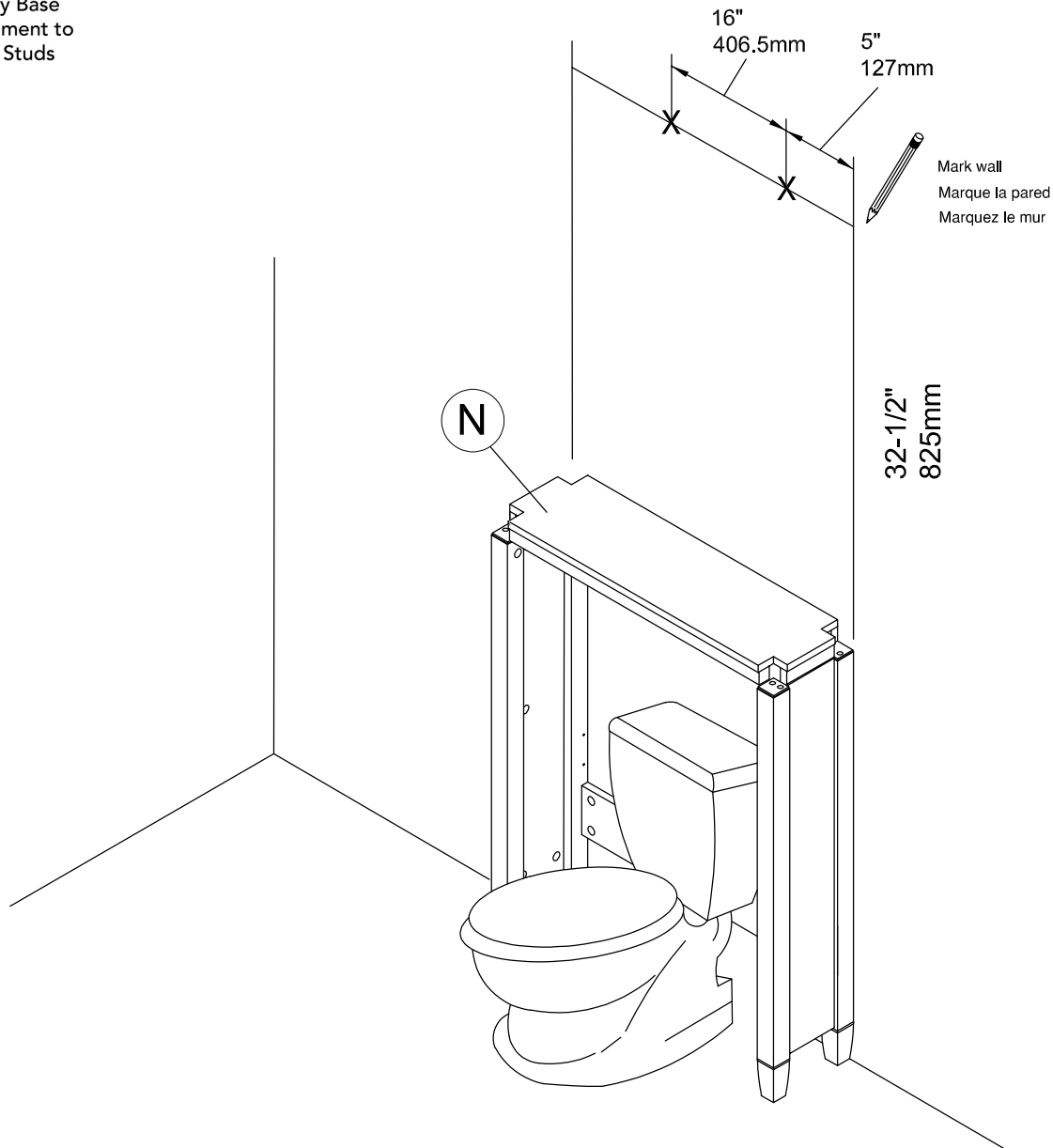
Have an assembly question or need a replacement part? Just call  
**1-800-950-4782**, we are here to help.

Scan QR Code to  
Watch Video on:



Vanity Base  
Attachment to  
Wall Studs

1. Measure from lower top to wall attachment height location 32-1/2" (825mm) to make horizontal line on wall
2. Mark locations for wall bracket attachment. See diagram below.

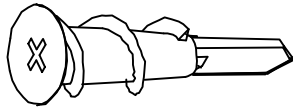


Have an assembly question or need a replacement part? Just call  
**1-800-950-4782**, we are here to help.

NOTE: There may be plumbing or electrical lines in the walls of residential dwellings. Care must be taken when drilling into walls. If you are not confident in your installation abilities, please consult an installation professional.

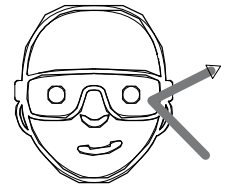
1. At marked locations, drill (2) 1/8" or 3.5mm holes just through hollow wall 1/2 to 3/4" (12-19mm) deep or 2" (50mm) deep if wood stud is encountered.
2. Make note on diagram below if a wall stud is encountered during this step. Hollow wall anchor H200009 must be installed into any hole where stud was not encountered. There may be situations where both hollow wall anchors and long-screw stud anchors are used.
3. Install Wall Anchor H200009 into holes where wall stud was not found.

H200009

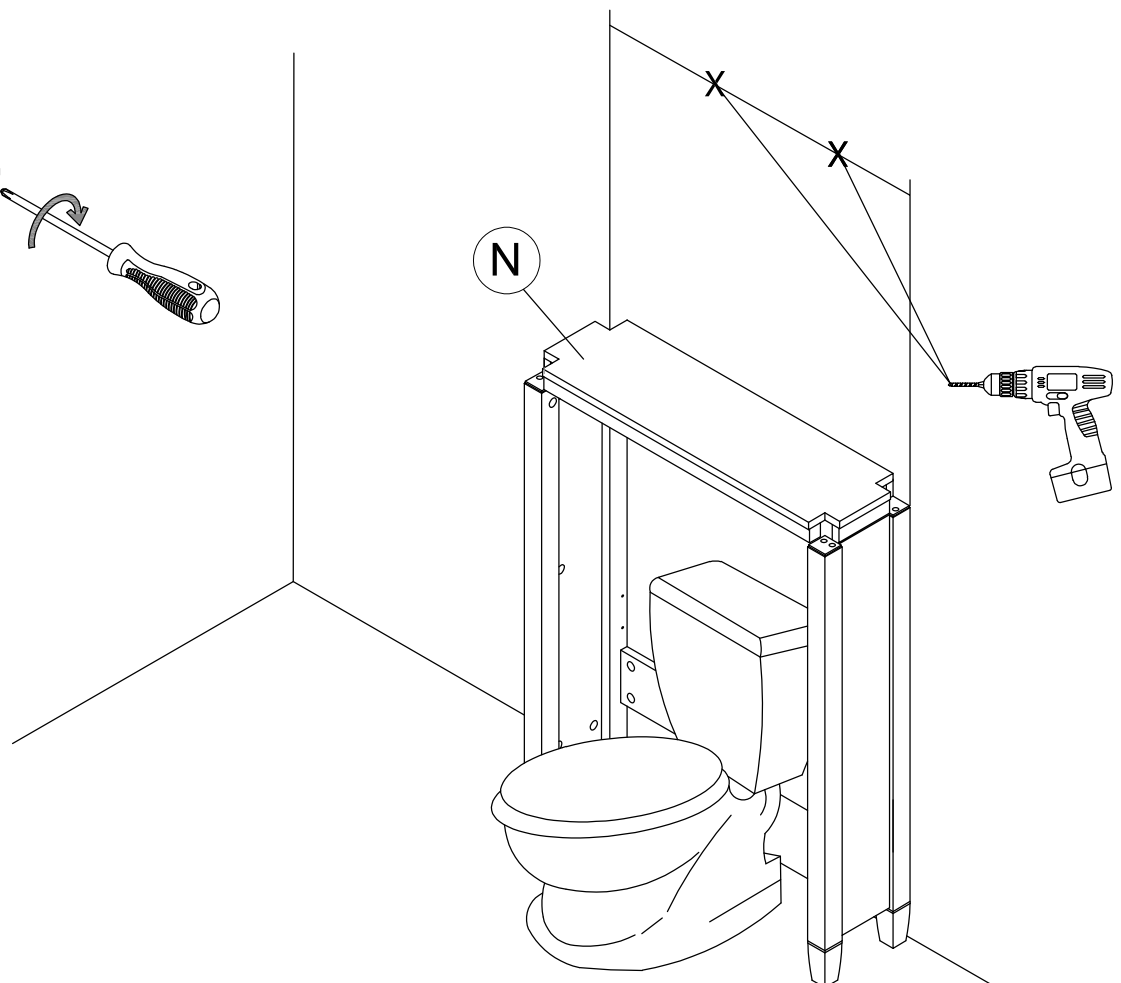
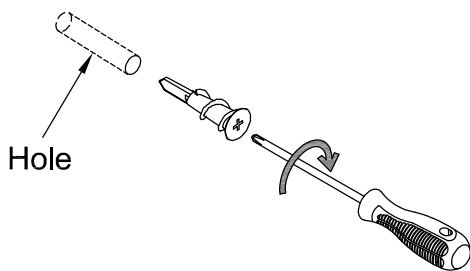


Wall Anchor

[ 2 ]



Safety glasses  
Gafas de seguridad  
Lunettes de protection



Have an assembly question or need a replacement part? Just call  
**1-800-950-4782**, we are here to help.

# STEP 22

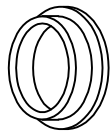
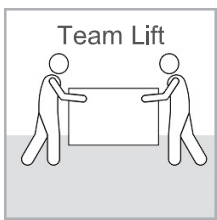
# Assemble Panels

A199338A

Scan QR Code to Watch Video on:



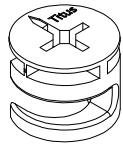
How to Tighten KD Cams



Screw Cap

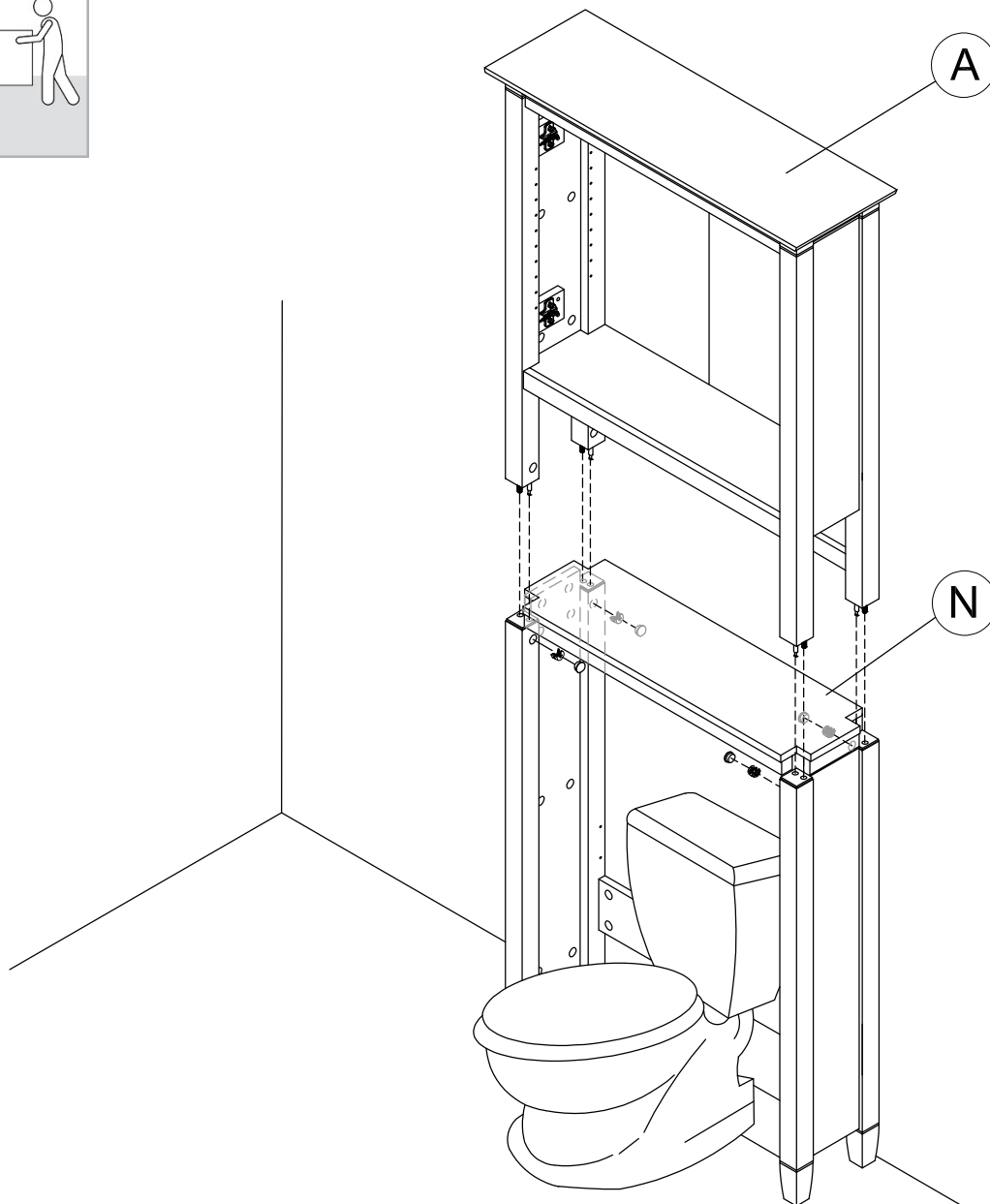
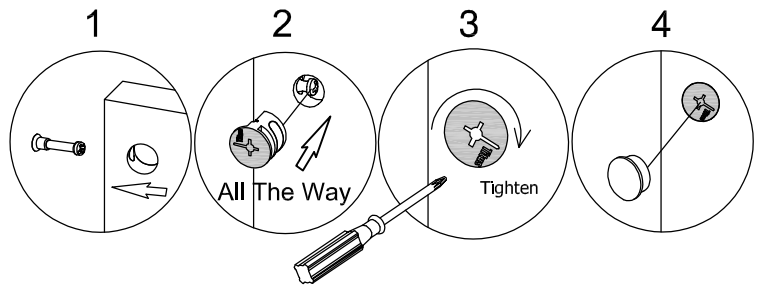
[ 4 ]

H200020



KD Cam

[ 4 ]

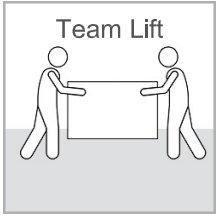


Have an assembly question or need a replacement part? Just call **1-800-950-4782**, we are here to help.

# STEP 23

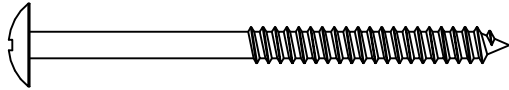
# Attach to Wall

A199338A



Use H194287 for wall stud or H200043 for wall anchor attachment.

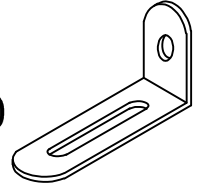
H194287



[ 2 ]

# 10 X 2.5 "

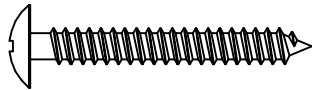
H191090



[ 2 ]

Angle Bracket

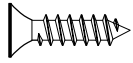
H200043



[ 2 ]

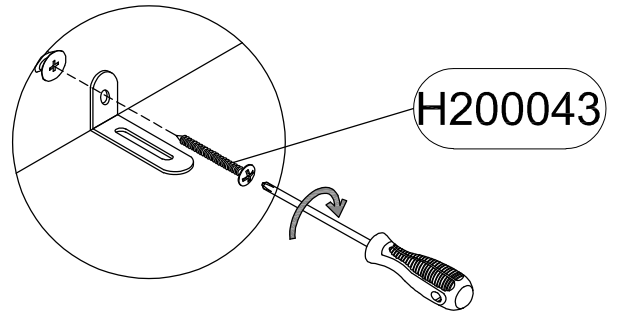
M4 X 38mm

H200028



[ 2 ]

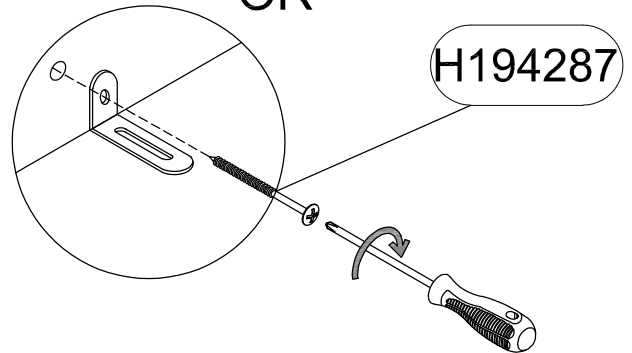
M3.5 X 16mm



H200043

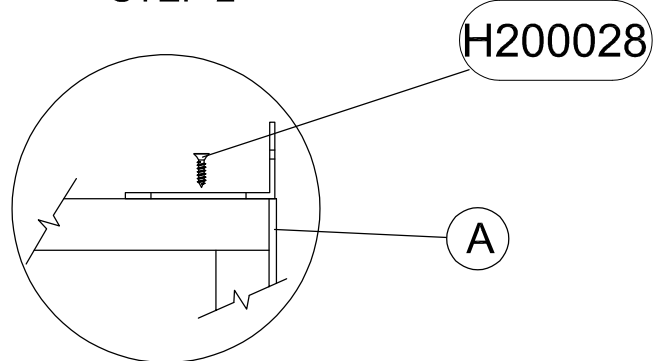
STEP 1

OR



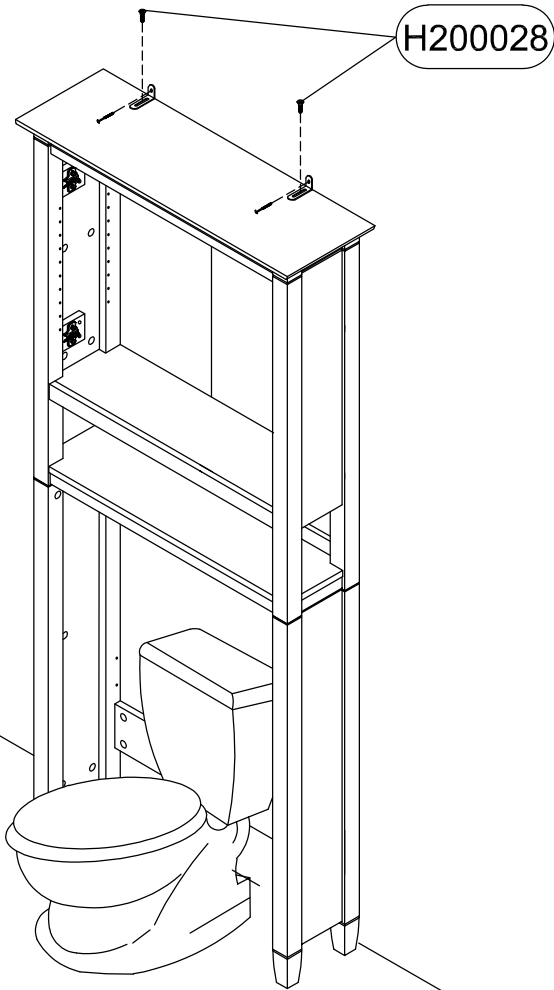
H194287

STEP 2



H200028

A



H200028

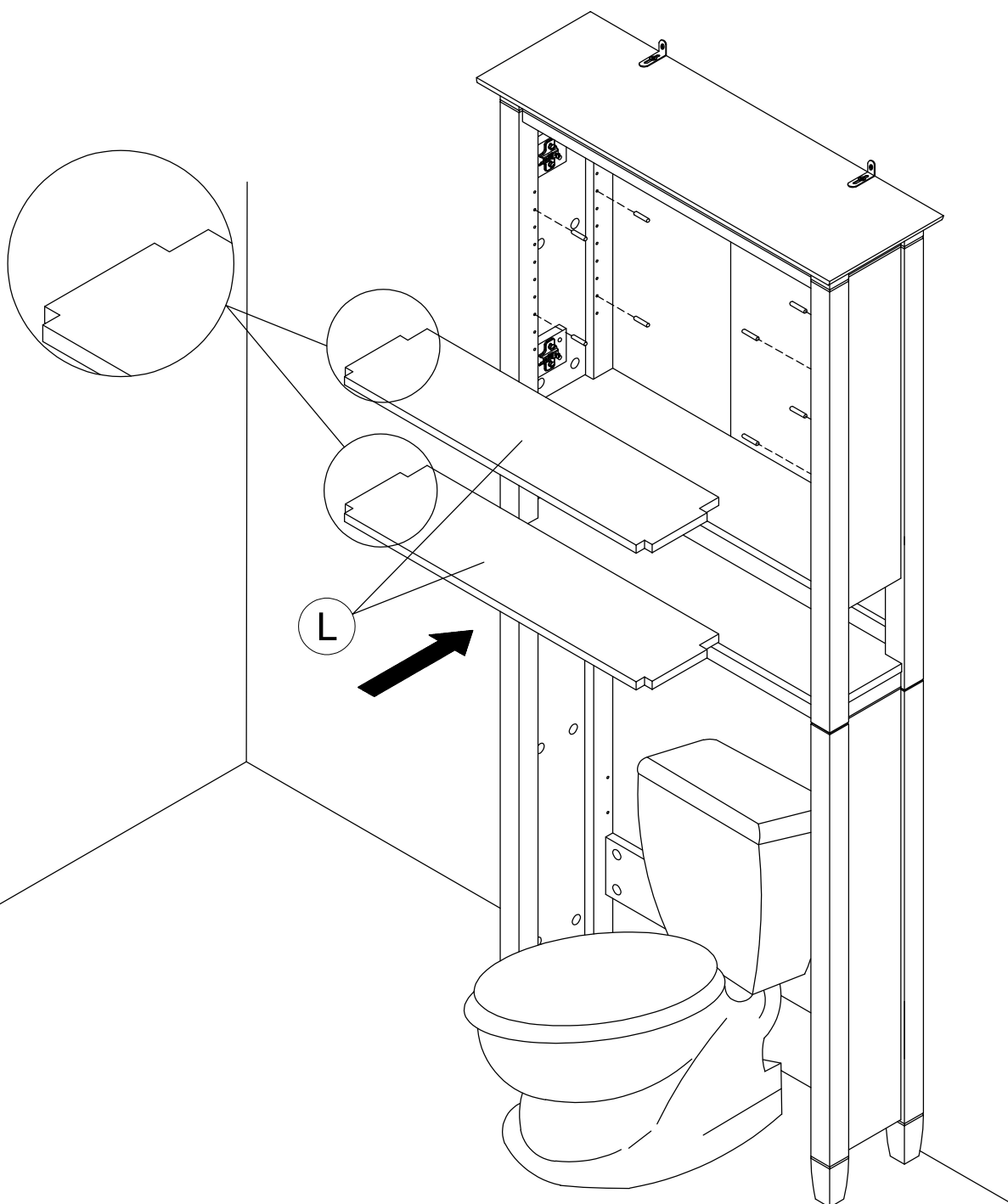
Have an assembly question or need a replacement part? Just call  
**1-800-950-4782**, we are here to help.

H23604



[ 8 ]

Shelf Pin  
1" x 3/16"



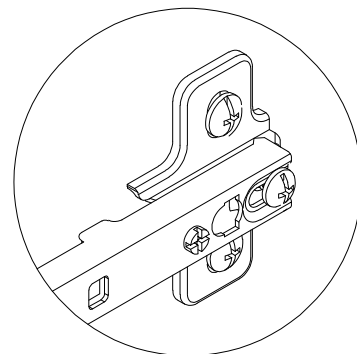
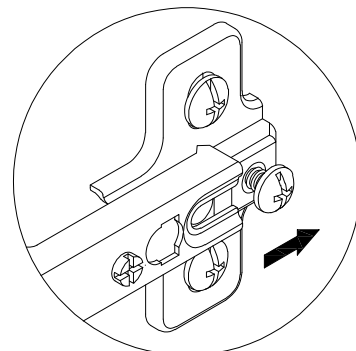
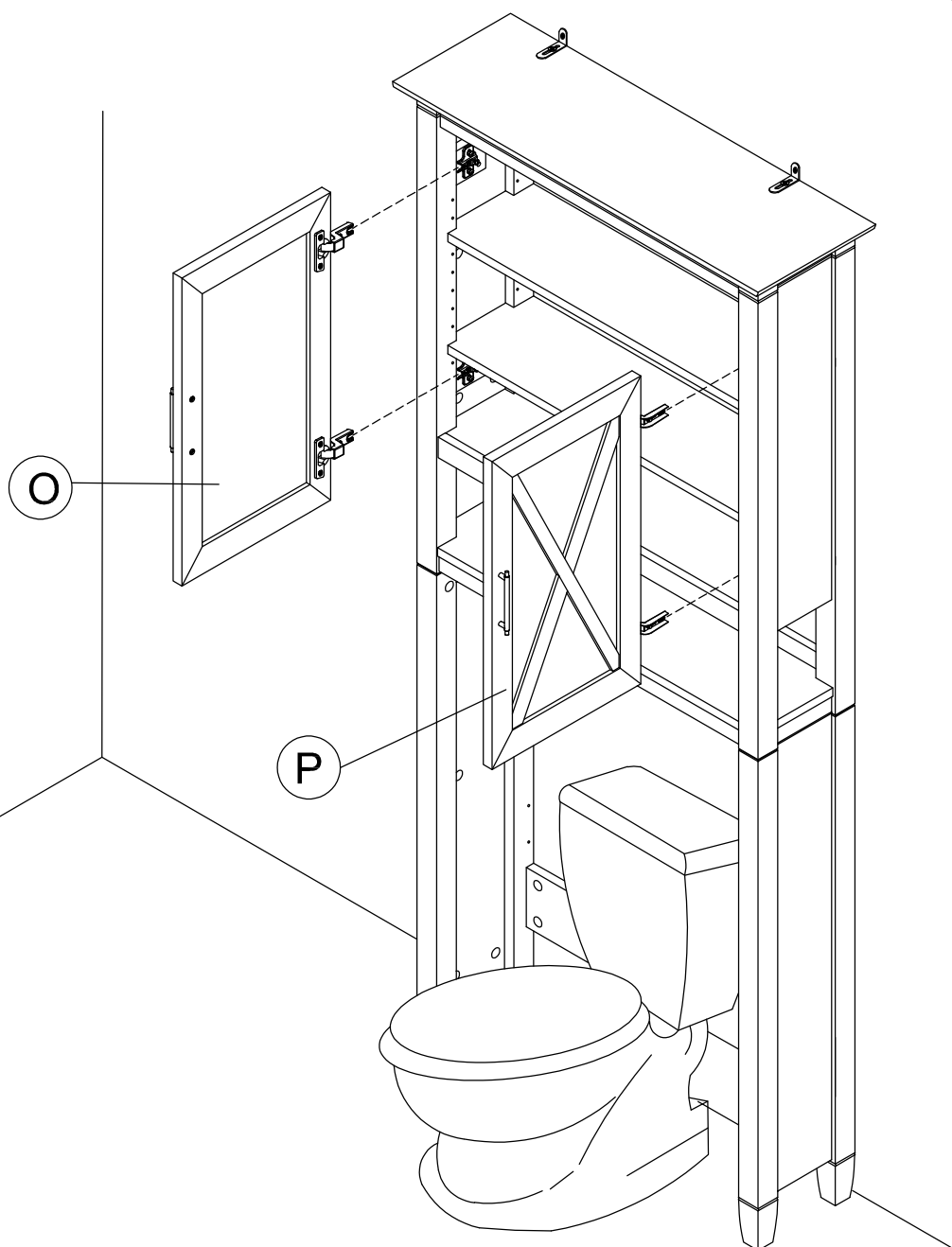
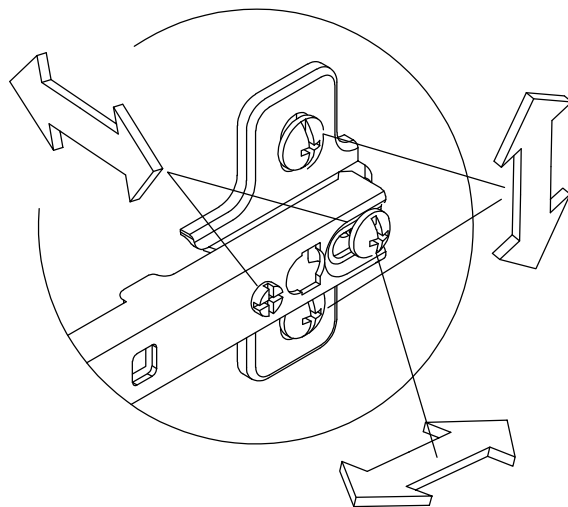
Have an assembly question or need a replacement part? Just call  
**1-800-950-4782**, we are here to help.



Scan QR Code to Watch Video on:

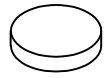


How to Adjust Door Hinges



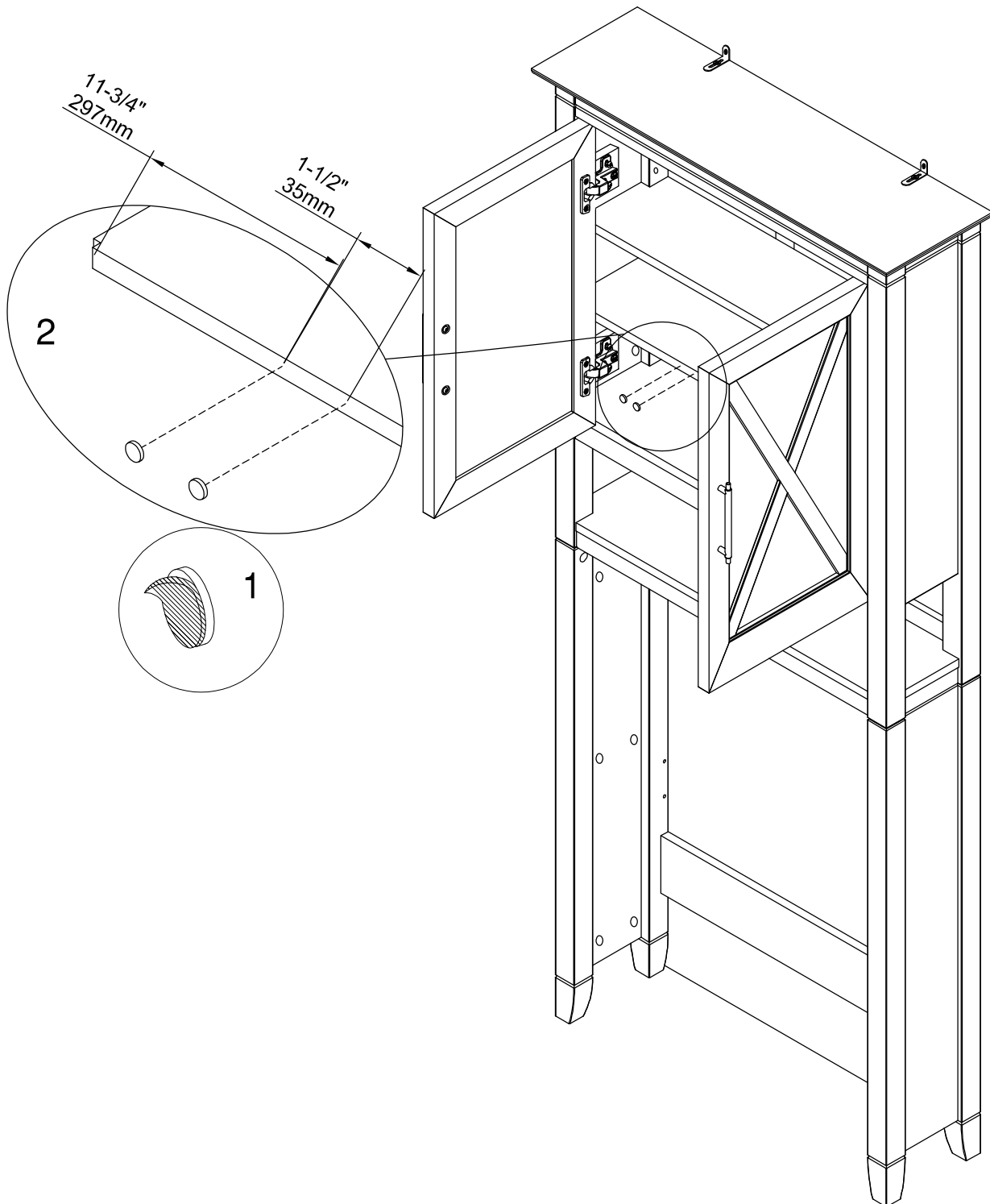
Have an assembly question or need a replacement part? Just call **1-800-950-4782**, we are here to help.

H200022



[ 2 ]

Bumper  
Ø12x2mm



Have an assembly question or need a replacement part? Just call  
**1-800-950-4782**, we are here to help.

Scan QR Code to Watch Video on:



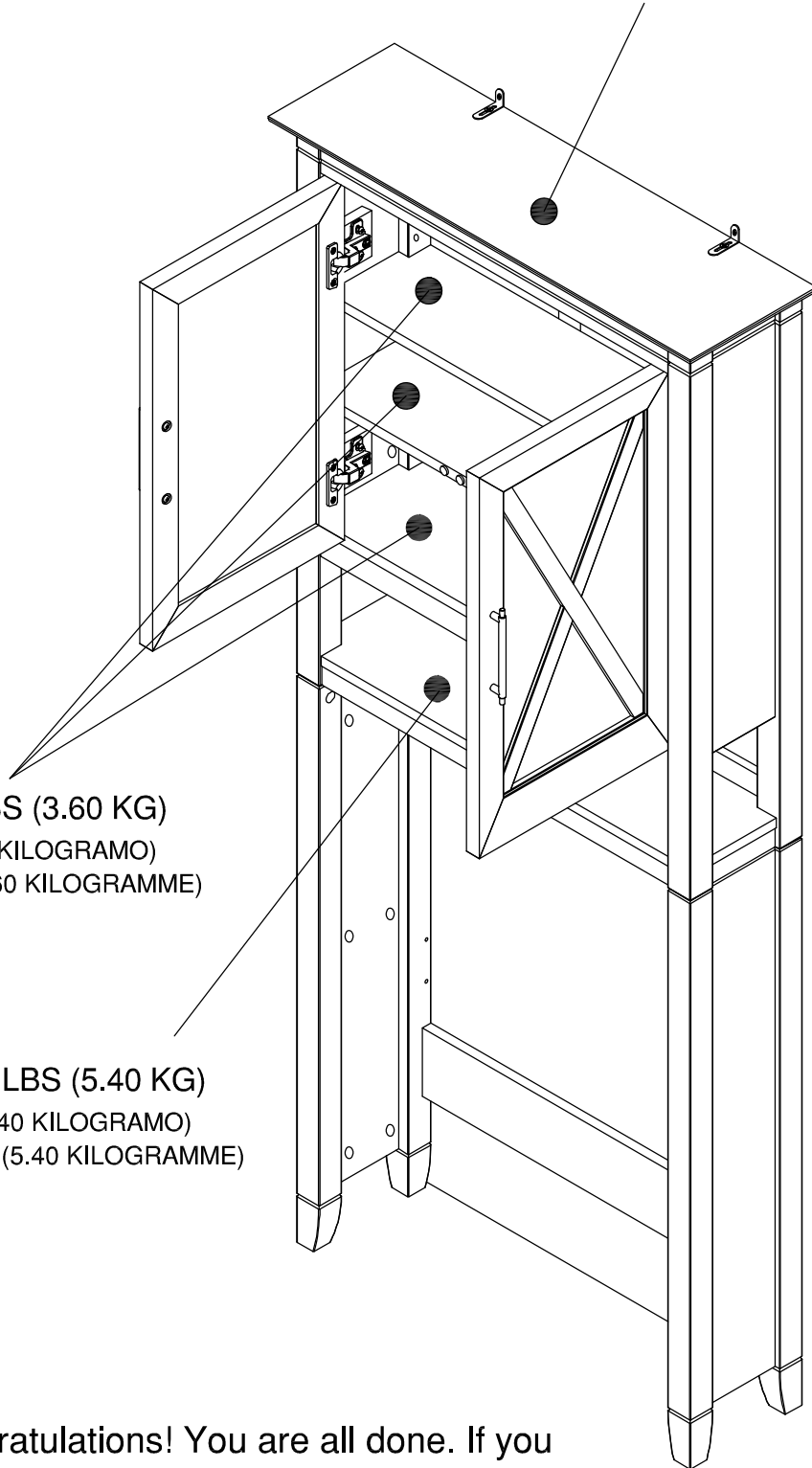
How to Clean the Surface

Gently clean surfaces with a damp sponge eraser.

**MAXIMUM WEIGHT: 0.00 LBS (0.00 KG)**

**PESO MÁXIMO: (0.00 KILOGRAMO)**

**POIDS MAXIMUM: (0.00 KILOGRAMME)**



**MAXIMUM WEIGHT: 8.00 LBS (3.60 KG)**  
**PESO MÁXIMO: 8.00 LIBRAS (3.60 KILOGRAMO)**  
**POIDS MAXIMUM: 8.00 LIVRES (3.60 KILOGRAMME)**

**MAXIMUM WEIGHT: 12.00 LBS (5.40 KG)**  
**PESO MÁXIMO: 12.00 LIBRAS (5.40 KILOGRAMO)**  
**POIDS MAXIMUM: 12.00 LIVRES (5.40 KILOGRAMME)**

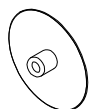
**Congratulations! You are all done. If you have any questions or concerns, please call.**

**Have an assembly question or need a replacement part? Just call 1-800-950-4782, we are here to help.**

**KWS268WAS**

A	[ 1 ]	W 199481	J	[ 1 ]	W 199490
B	[ 1 ]	W 199482	K	[ 1 ]	W 199491
C	[ 1 ]	S 199483	L	[ 2 ]	W 199492
D	[ 1 ]	S 199484	M	[ 1 ]	W 199493
E	[ 1 ]	S 199822	N	[ 1 ]	W 199494
F	[ 1 ]	S 199823	O	[ 1 ]	S 199485
G	[ 1 ]	W 199487	P	[ 1 ]	S 199486
H	[ 1 ]	S 199488	Q	[ 1 ]	W 201095
I	[ 1 ]	W 199489			

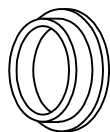
H200078



Cover Cap

[ 45 ]

H200040



Screw Cap

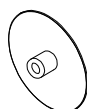
[ 7 ]

Have an assembly question or need a replacement part? Just call  
**1-800-950-4782**, we are here to help.

**KWS268DG**

A	[ 1 ]	W199467	J	[ 1 ]	W 199476
B	[ 1 ]	W 199468	K	[ 1 ]	W 199477
C	[ 1 ]	S 199469	L	[ 2 ]	W 199478
D	[ 1 ]	S 199470	M	[ 1 ]	W 199479
E	[ 1 ]	S 199818	N	[ 1 ]	W 199480
F	[ 1 ]	S 199820	O	[ 1 ]	S 199471
G	[ 1 ]	W 199473	P	[ 1 ]	S 199472
H	[ 1 ]	S 199474	Q	[ 1 ]	W 201094
I	[ 1 ]	W 199475			

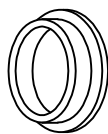
H200079



Cover Cap

[ 45 ]

H200041



Screw Cap

[ 7 ]

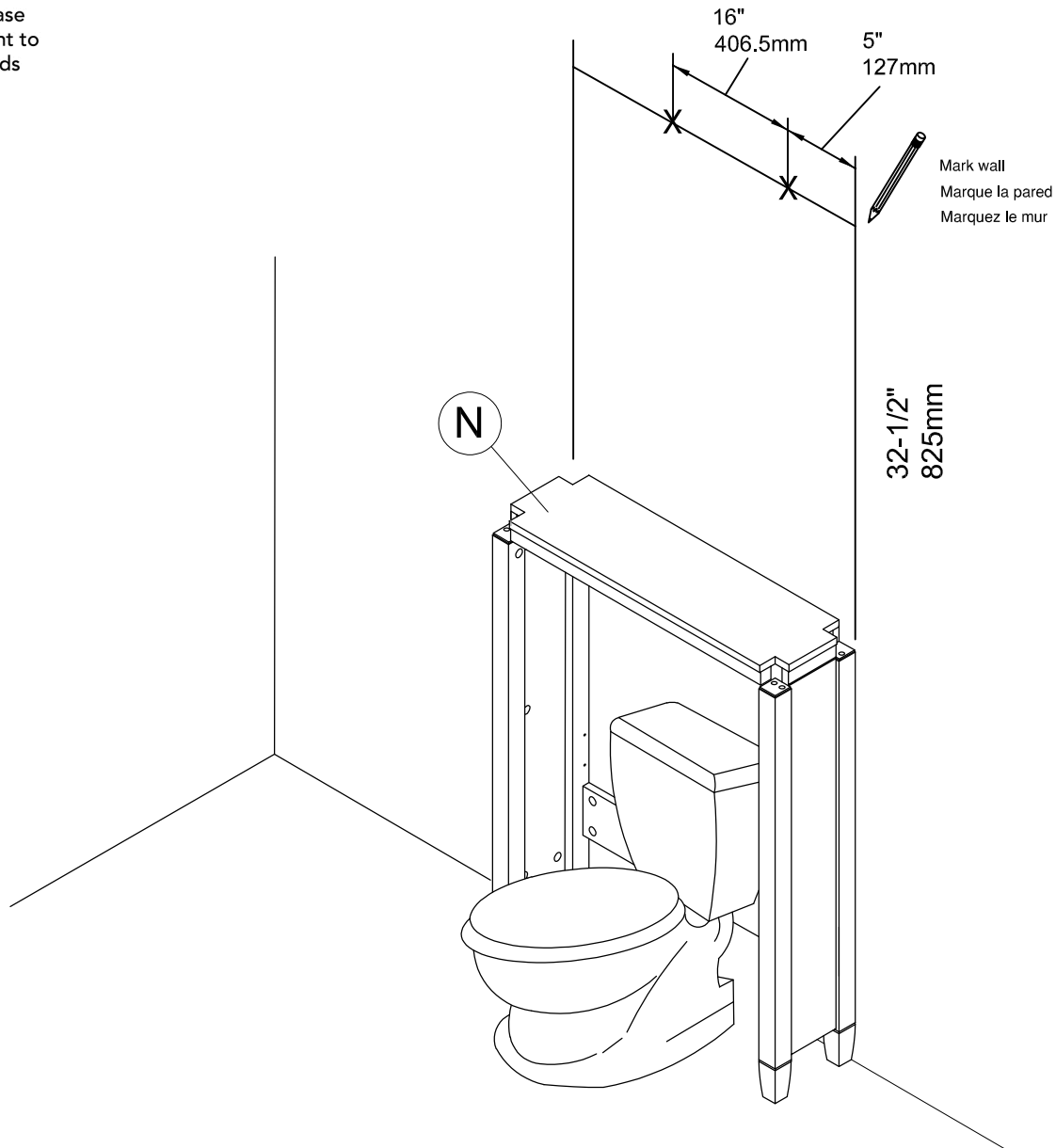
Have an assembly question or need a replacement part? Just call  
**1-800-950-4782**, we are here to help.

Scan QR Code to  
Watch Video on:



Vanity Base  
Attachment to  
Wall Studs

1. Mida desde la parte superior inferior hasta la ubicación de la altura de fijación a la pared 32-1 / 2 "(825 mm) para hacer una línea horizontal en la pared
2. Marque las ubicaciones para la fijación del soporte de pared.  
Vea el diagrama a continuación.

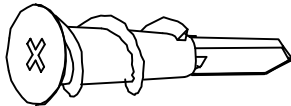


Have an assembly question or need a replacement part? Just call  
**1-800-950-4782**, we are here to help.

NOTA: Puede haber tuberías o líneas eléctricas en las paredes de las viviendas residenciales. Se debe tener cuidado al perforar paredes. Si no está seguro de sus capacidades de instalación, consulte a un instalador profesional.

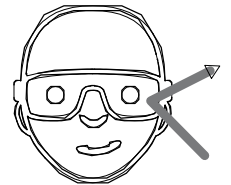
1. En las ubicaciones marcadas, taladre (2) orificios de 1/8 "o 3,5 mm justo a través de la pared hueca de 1/2 a 3/4" (12-19 mm) de profundidad o 2 "(50 mm) de profundidad si se encuentran montantes de madera.
2. Tome nota en el diagrama a continuación si se encuentra un montante de pared durante este paso. El anclaje de pared hueca H200009 debe instalarse en cualquier agujero donde no se encuentre el montante. Puede haber situaciones en las que se utilicen tanto anclajes de pared huecos como anclajes de perno prisionero de tornillo largo.
3. Instale el anclaje de pared H200009 en los orificios donde no se encontró el montante de pared.

H200009

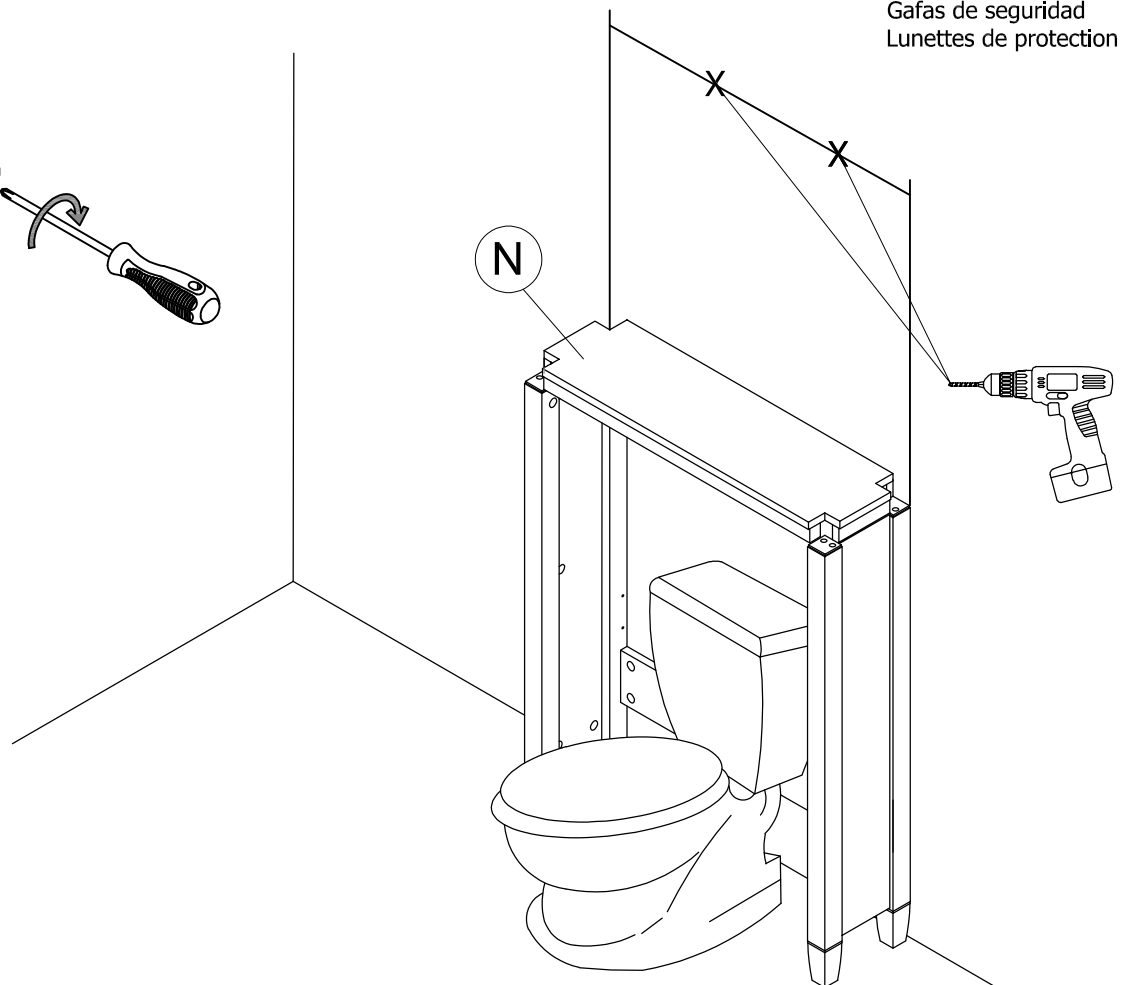
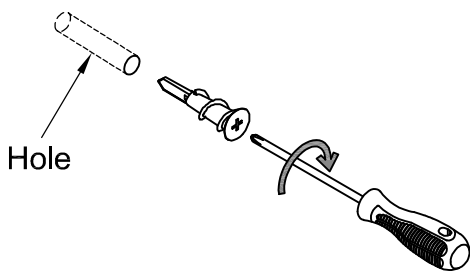


[ 2 ]

Wall Anchor



Safety glasses  
Gafas de seguridad  
Lunettes de protection

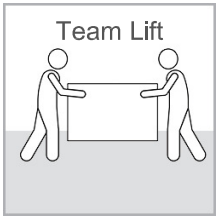


Have an assembly question or need a replacement part? Just call  
**1-800-950-4782**, we are here to help.

# STEP 22 SP

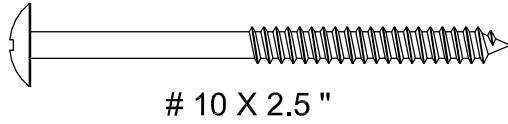
# Attach to Wall

A199338A



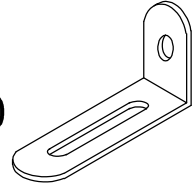
Utilice H194287 para montantes de pared o H200043 para anclajes de pared.

H194287



[ 2 ]

H191090

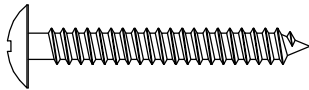


[ 2 ]

# 10 X 2.5 "

Angle Bracket

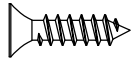
H200043



[ 2 ]

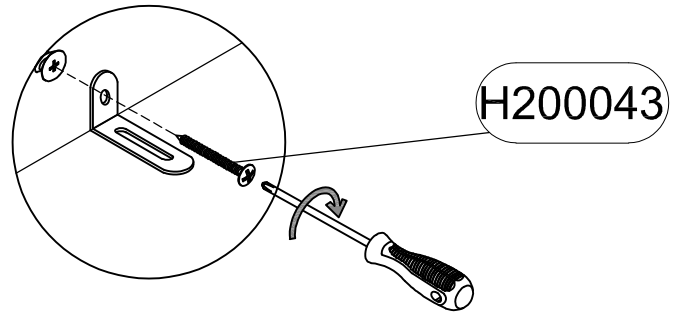
M4 X 38mm

H200028



[ 2 ]

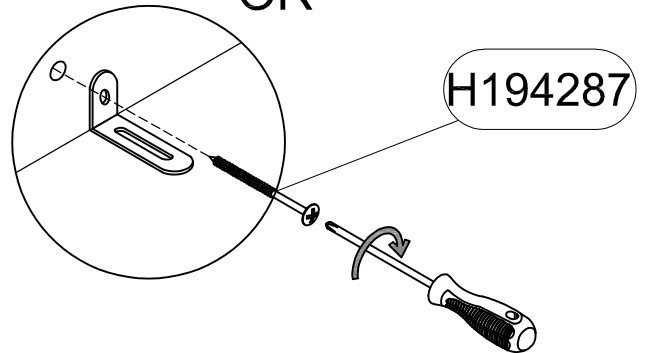
M3.5 X 16mm



H200043

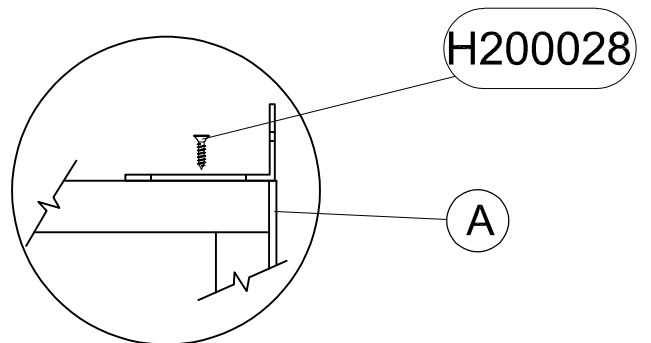
STEP 1

OR



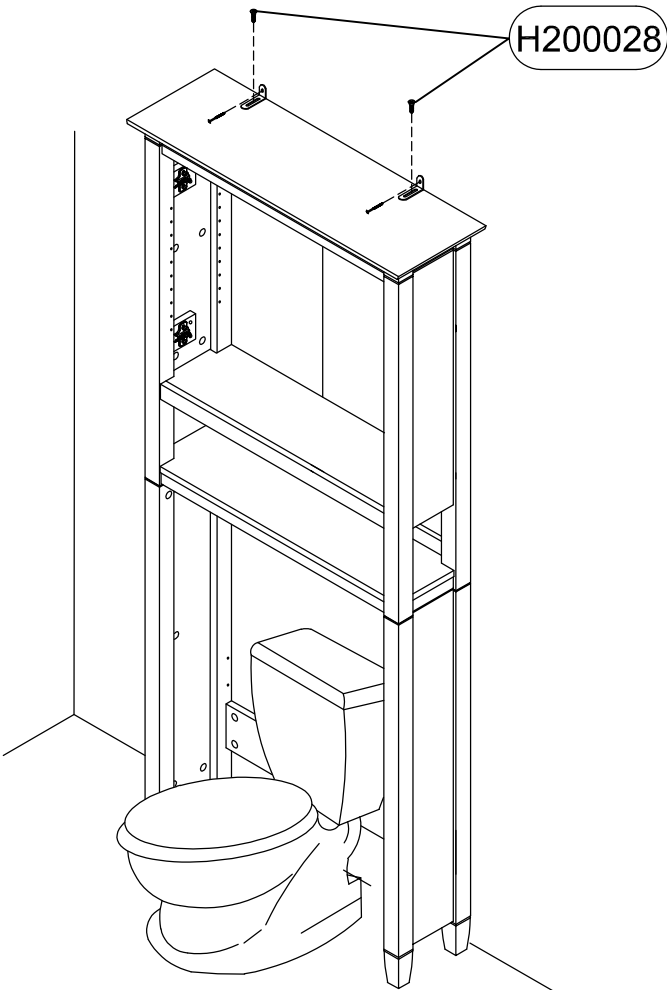
H194287

STEP 2



H200028

A



Have an assembly question or need a replacement part? Just call **1-800-950-4782**, we are here to help.

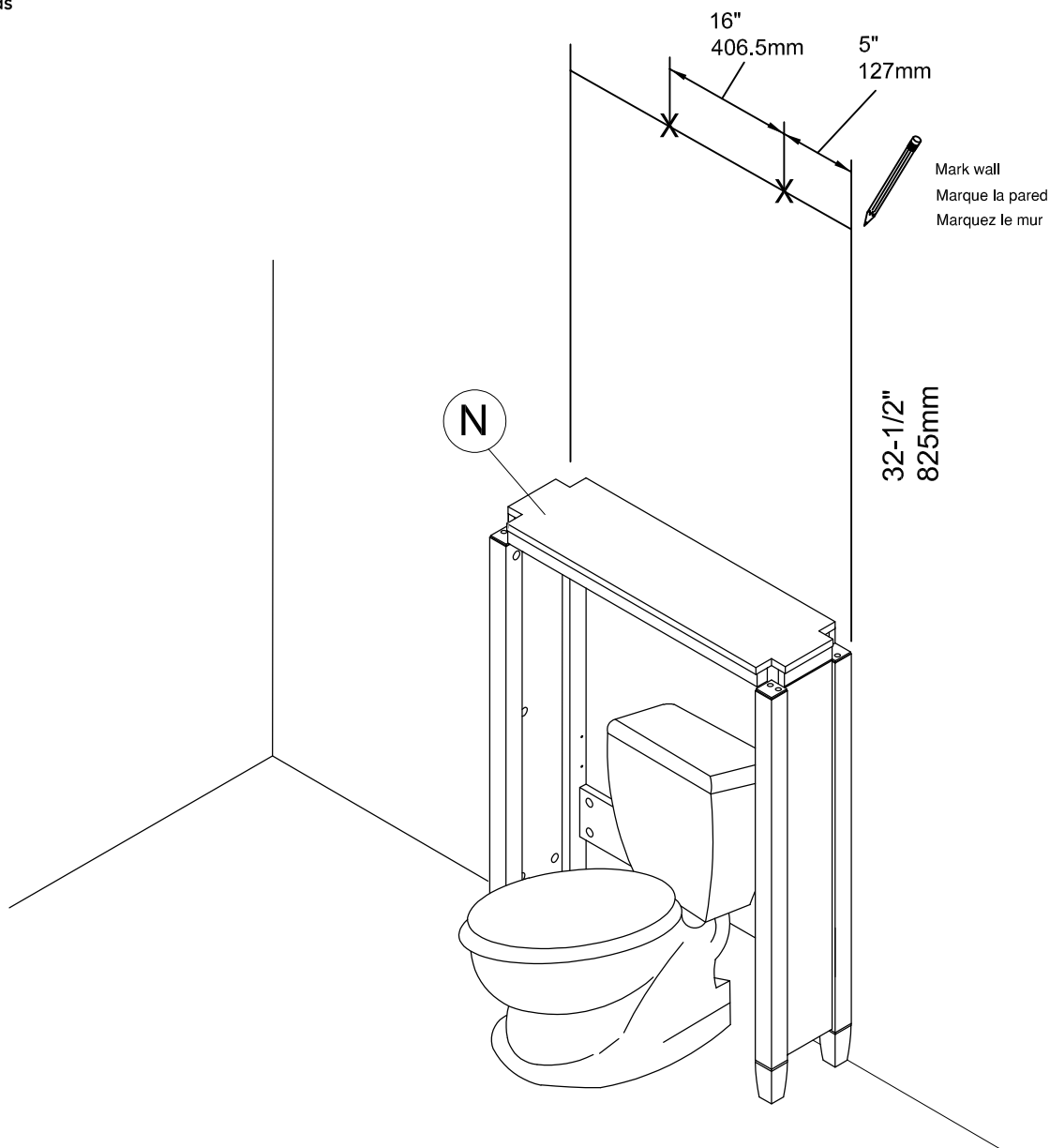


Scan QR Code to  
Watch Video on:



Vanity Base  
Attachment to  
Wall Studs

1. Mesurez de la partie supérieure inférieure à la hauteur de fixation murale 32-1 / 2 "(825 mm) pour faire une ligne horizontale sur le mur
2. Marquez les emplacements pour la fixation du support mural.  
Voir le diagramme ci-dessous.

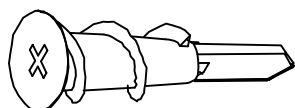


Have an assembly question or need a replacement part? Just call  
**1-800-950-4782**, we are here to help.

REMARQUE: Il peut y avoir de la plomberie ou des lignes électriques dans les murs des habitations résidentielles. Des précautions doivent être prises lors du perçage dans les murs. Si vous n'êtes pas sûr de vos capacités d'installation, veuillez consulter un professionnel de l'installation.

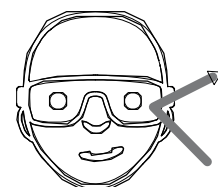
1. Aux emplacements marqués, percez (2) trous de 1/8 "ou 3,5 mm juste à travers le mur creux de 1/2 à 3/4" (12-19 mm) de profondeur ou 2 "(50 mm) de profondeur si un montant en bois est rencontré.
2. Notez sur le schéma ci-dessous si un poteau mural est rencontré pendant cette étape. L'ancrage pour mur creux H200009 doit être installé dans tout trou où aucun montant n'a été rencontré. Il peut y avoir des situations où des ancrages pour murs creux et des ancrages à goujon à vis longues sont utilisés.
3. Installez l'ancrage mural H200009 dans les trous où le montant du mur n'a pas été trouvé.

H200009

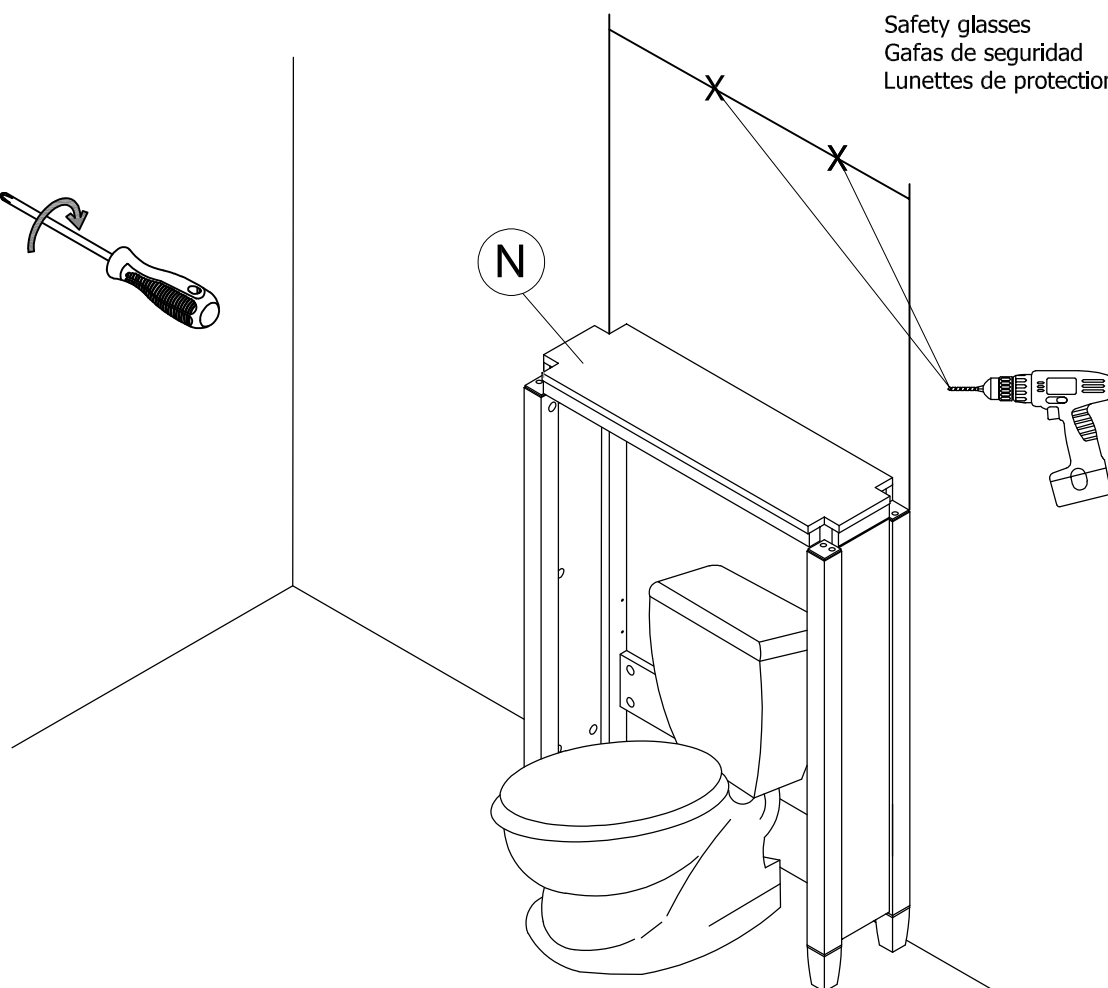
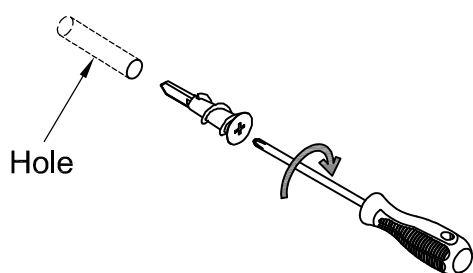


[ 2 ]

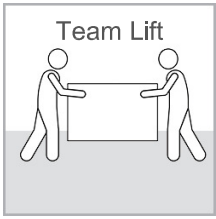
Wall Anchor



Safety glasses  
Gafas de seguridad  
Lunettes de protection

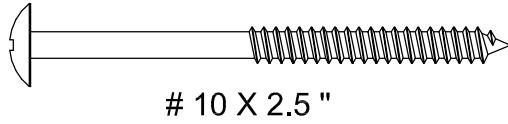


Have an assembly question or need a replacement part? Just call  
**1-800-950-4782**, we are here to help.



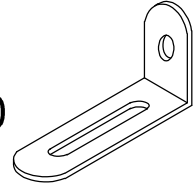
Utilisez H194287 pour le montant mural ou H200043 pour la fixation d'ancrage mural.

H194287



[ 2 ]

H191090

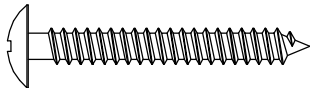


[ 2 ]

# 10 X 2.5 "

Angle Bracket

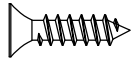
H200043



[ 2 ]

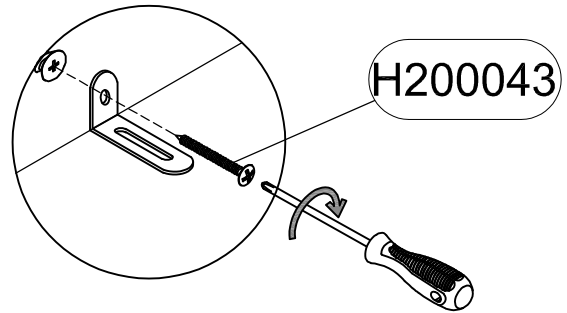
M4 X 38mm

H200028



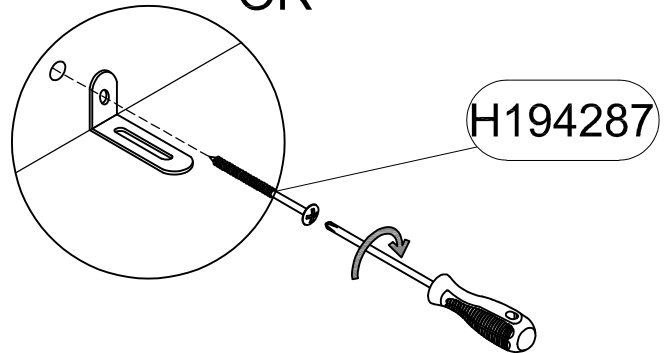
[ 2 ]

M3.5 X 16mm

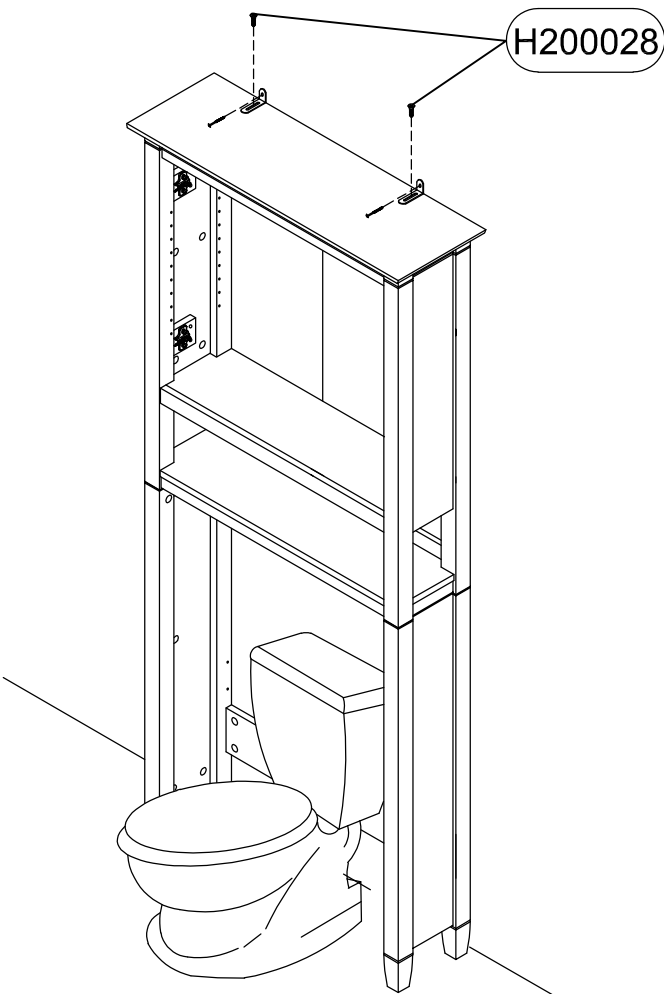
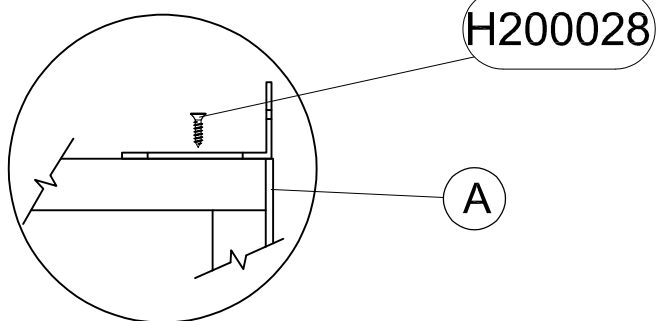


STEP 1

OR



STEP 2



Have an assembly question or need a replacement part? Just call **1-800-950-4782**, we are here to help.

# WARRANTY INFORMATION/INFORMATIONS POUR LA GARANTIE/INFORMACIÓN DE GARANTÍA

## BUSH FURNITURE'S WRITTEN WARRANTY TO YOU

In order to provide you with timely assistance, please thoroughly inspect your furniture for missing or defective parts immediately after opening the carton. To receive replacement or missing parts under this warranty, call our Consumer Service Department TOLL-FREE at 1-800-950-4782. Please have the Model, Part, and Lot Numbers found in the instruction manual available for your reference. You will also need your sales receipt or other proof of purchase. Replacement part(s) will be shipped to you at no charge with Bush Industries assuming all shipping and handling charges.

This Bush Furniture product is warranted to the original purchaser at the time of purchase and for a period of one year thereafter.

We warrant to you, the original purchaser, that our furniture and all its parts and components are free of defects in material or workmanship. "Defects," as used in this warranty, is defined as any imperfection which impairs the use of the furniture product.

Our warranty is expressly limited to the replacement of furniture parts and components. For one year after the date of purchase, Bush will replace any parts that are defective in material or workmanship.

This warranty applies under conditions of normal use. Our Bush Furniture products are not intended for outdoor use. This warranty does not cover: 1) defects caused by improper assembly or disassembly; 2) defects occurring after purchase due to product modification, intentional damage, accident, misuse, abuse, negligence or exposure to the elements; and 3) labor or assembly costs. 4) batteries are not included.

IMPLIED WARRANTIES, INCLUDING THE WARRANTY OF MERCHANTABILITY, SHALL NOT EXTEND BEYOND THE DURATION OF THE WRITTEN WARRANTY STATED ABOVE, AND IN NO EVENT SHALL BUSH BE LIABLE FOR INCIDENTAL OR CONSEQUENTIAL DAMAGES RESULTING FROM USE OF THE PRODUCT. Some states do not allow a limitation on how long an implied warranty lasts or the exclusion or limitation of incidental or consequential damages, so the above limitation and exclusion may not apply to you.

This warranty gives you specific legal rights. You may also have other rights that may vary from state to state.

## VOTRE GARANTIE BUSH FURNITURE

Afin de vous assister rapidement, veuillez inspecter votre mobilier en détail immédiatement après l'ouverture du carton en cas de pièces manquantes ou défectueuses. Pour recevoir une pièce de rechange ou manquante couverte par cette garantie, appelez notre département de service clientèle GRATUITEMENT au 1-800-950-4782. Veuillez tenir à disposition les numéros de modèle, de pièce et de lot qui se trouvent dans le manuel d'instruction pour votre référence. Vous aurez également besoin de votre reçu ou d'une autre preuve d'achat. La (les) pièce(s) de rechange vous sera (seront) envoyée(s) sans frais, Bush Industries se chargeant de tous les frais d'expédition.

Tout le produit Bush Furniture est garanti à l'acheteur original à partir de la date d'achat pour une période d'un an.

Nous vous garantissons, à vous l'acheteur original, que notre mobilier et toutes ses pièces et composants sont sans défaut de matériau ou de fabrication. Le terme "défauts" utilisé dans cette garantie, est défini comme étant toutes les imperfections qui compromettent l'utilisation du meuble.

Notre garantie est expressément limitée au remplacement des pièces et des composants du mobilier. Pendant un an après la date d'achat, Bush remplacera toute pièce défectueuse dans le matériau ou sa fabrication.

Cette garantie d'applique sous des conditions d'utilisation normale. Nos produits ne sont pas destinés à être utilisés en plein air. Cette garantie ne couvre pas: 1) les défauts causés par un mauvais assemblage ou démontage, 2) les défauts ayant lieu après l'achat et dus à la modification du produit, des dommages intentionnels, des accidents, une mauvaise utilisation, un mauvais traitement, la négligence ou l'exposition aux éléments, et 3) les frais de main d'œuvre ou d'assemblage. 4) les piles ne sont pas incluses.

LES GARANTIES TACITES, Y COMPRIS LA GARANTIE DE QUALITE MARCHANDE, NE S'ETENDRONT PAS AU-DELA DE LA DUREE ECRITE CITEE CI-DESSUS, ET BUSH NE SERA EN AUCUN CAS RESPONSABLE DES DOMMAGES ACCESSOIRES OU INDIRECTS RESULTANT DE L'UTILISATION DU PRODUIT. Certains états ne permettent pas d'appliquer une limite à la durée de la garantie tacite, ni une exclusion ou limitation des dommages accessoires ou indirects; dans ce cas les limitations ou exclusion ci-dessus peuvent ne pas s'appliquer à vous.

Cette garantie vous donne des droits légaux spécifiques. Il se peut que vous ayez également d'autres droits qui peuvent varier d'un état à l'autre.

## GARANTIA ESCRITA DE BUSH FURNITURE PARA USTED

Para brindarle asistencia oportuna, por favor, verifique detalladamente que a su mueble no le falte o tenga piezas defectuosas inmediatamente después de abrir la caja. Para recibir un reemplazo o la parte faltante bajo esta garantía, llame a nuestro Departamento de Servicio al Consumidor GRATIS al 1-800-950-4782. Sírvase traer los números de modelo, parte y lote que se encuentran en el manual de instrucciones disponible para su referencia. Además, necesitará el recibo de su compra u otra prueba de compra. La(s) pieza(s) de reemplazo le será(n) enviada(s) sin recargo por Bush Industries asumiendo los gastos de envío y manipuleo.

Todo mueble de Bush Furniture es garantizado al comprador original al momento de la compra y por un periodo de uno año en adelante.

Le garantizamos a usted, el comprador original, que nuestros muebles sus partes y componentes están libres de defectos en materiales o trabajo. "Defectos", según se usa en esta garantía, se define como una imperfección que perjudica el uso del producto mobiliario.

Nuestra garantía se limita expresamente al reemplazo de partes y componentes mobiliarios. Durante uno año después de la fecha de compra, Bush reemplazará cualquier parte defectuosa en material o trabajo.

Esta garantía se aplica bajo condiciones de uso normal. Nuestros productos de Bush Furniture no son para uso en exteriores. Esta garantía no cubre: 1) defectos causados por un ensamblaje o desensamblaje inadecuado; 2) defectos que ocurran después de la compra debido a modificación del producto, daño intencional, accidente, mal uso, abuso, negligencia o exposición a los elementos; y 3) costos de trabajo o ensamblaje. 4) las baterías no están incluidas.

LAS GARANTÍAS IMPLICADAS, INCLUYENDO LA GARANTÍA DE COMERCIABILIDAD, NO SE EXTENDERÁN MÁS ALLÁ DE LA DURACIÓN DE LA GARANTÍA ESCRITA MENCIONADA, Y EN NINGÚN CASO BUSH SERÁ RESPONSABLE POR DAÑOS INCIDENTALES O CONSIGUIENTES COMO RESULTADO DEL USO DEL PRODUCTO. Algunos estados no permiten una limitación sobre el tiempo de duración de la garantía implicada o la exclusión o limitación de daños incidentales o consiguientes, de manera que la limitación y exclusión mencionadas pueden no aplicarse para usted.

Esta garantía le otorga derechos legales específicos. Puede también tener otros derechos que pueden variar según los estados.

**1-Year**  
Manufacturer's  
Warranty

### Register your product online:

Scan the QR Code or go to  
[https://bushfurniture.com/  
activate-warranty/](https://bushfurniture.com/activate-warranty/)



### Assembly tips & how to videos:

Scan the QR Code to access our video  
guides [https://bushfurniture.com/  
help-faq/#assembling](https://bushfurniture.com/help-faq/#assembling)

