

A

B

C

D

E

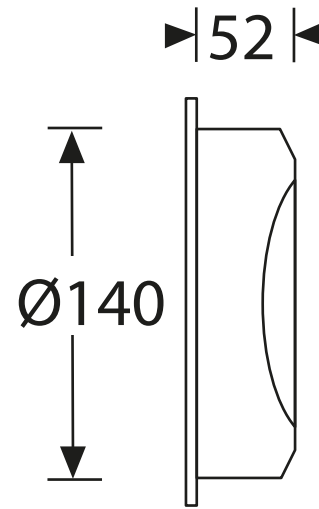
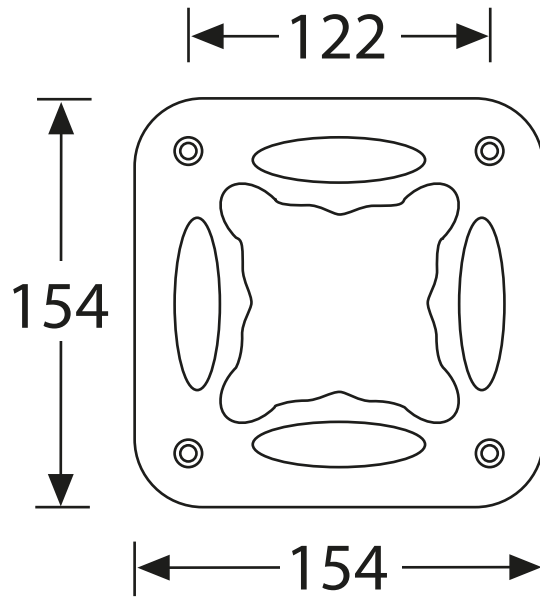
F

1

2

3

4



NOTES:

- 1. - ALL DIMENSIONS ARE IN MILLIMETERS
- 2. - MATERIAL: PLASTIC
- 3. - FINISH: BLACK

THE INFORMATION CONTAINED IN THIS DRAWING IS THE SOLE PROPERTY OF TRANS CONTINENTAL HARDWARE. ANY REPRODUCTION IN PART OR AS A WHOLE WITHOUT THE WRITTEN PERMISSION OF TRANS CONTINENTAL HARDWARE IS PROHIBITED.



TRANS CONTINENTAL HARDWARE

PART NAME **4-WAY SPEAKER HANDLE**

MATERIAL **PLASTIC**

DRAWING NO. **500-204900**

REVISION NO.

DATE 12/10/2013 SCALE NTS THIRD ANGLE PROJECTION DRAWING

ALL DIMENSIONS WITHOUT TOLERANCES ARE REFERENCE

SPECIFICATION SUBJECT TO CHANGE WITHOUT NOTICE

A

A

B

C

D

E

F