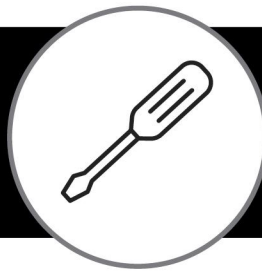


# Assembly Guide

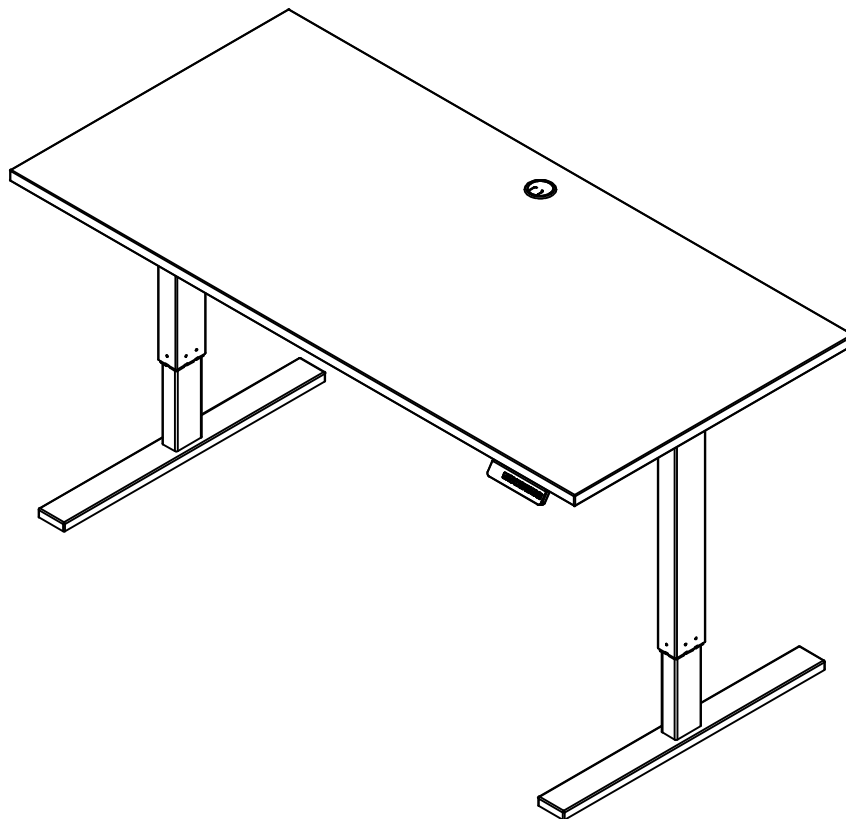


If you're having any difficulty during assembly of this product, don't hesitate to call us at **1-800-950-4782.**

Our customer service experts are trained to provide step-by-step instruction and can easily replace any missing or damaged parts.

**Representatives are available Monday-Friday from 8:30 a.m. to 7:30 p.m. (ET)**

## Height Adjustable Tables



Lot Code #

Instruction Sheet Number A178890G

Keep manual for future reference.

## For best results, keep these tips in mind:

- ① We know you want to finish this assembly as quickly as possible, but trust us: you'll have a better experience if you take it one step at a time.
- ② Give yourself some room to work near where you want the fully assembled product.
- ③ If your floor isn't carpeted, assemble this product on the empty carton to avoid scratching.
- ④ Do you have a friend who owes you a favor? Some steps may go a little easier with a second set of hands.

### DOs

- ✔ Use a #2 Phillips head screwdriver (or other handheld tools as indicated)
- ✔ Wear safety glasses at all times during assembly
- ✔ Carefully follow the instructions in this guide and complete all steps in order
- ✔ Give us a call if you're having trouble with a particularly tricky step

### DON'Ts

- ✘ We know power tools are quick and easy, but you shouldn't use them when assembling this product (unless otherwise specified)
- ✘ Never move your furniture with items inside or resting on the surface
- ✘ Do not attempt to use this product before all steps have been completed



## Watch assembly videos right on your phone or computer!



Some steps include QR codes that link to helpful videos. Watch out for the icon below! Simply open up your smartphone camera to scan the code.

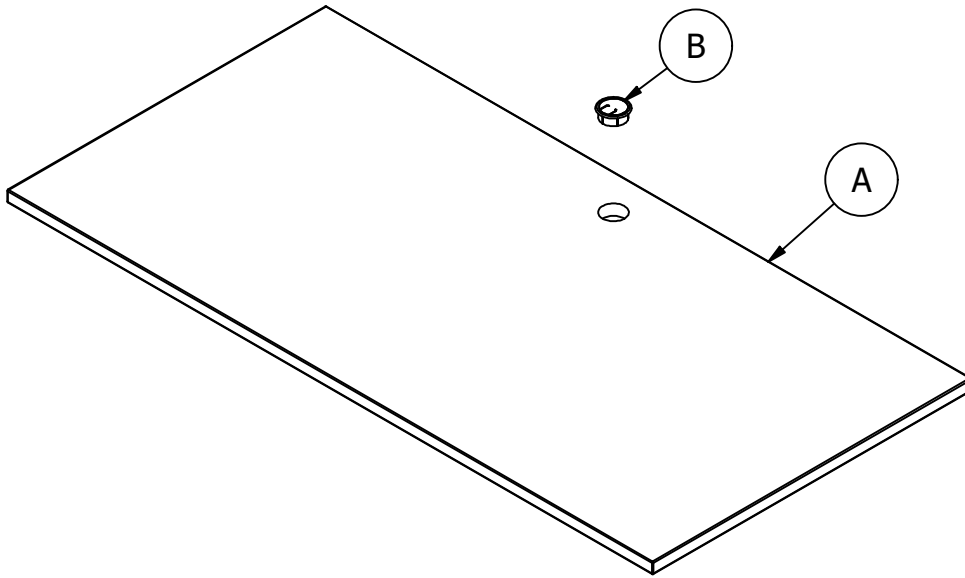
*(Users of older smartphones may need to install a QR Reader.)*

**SCAN HERE**

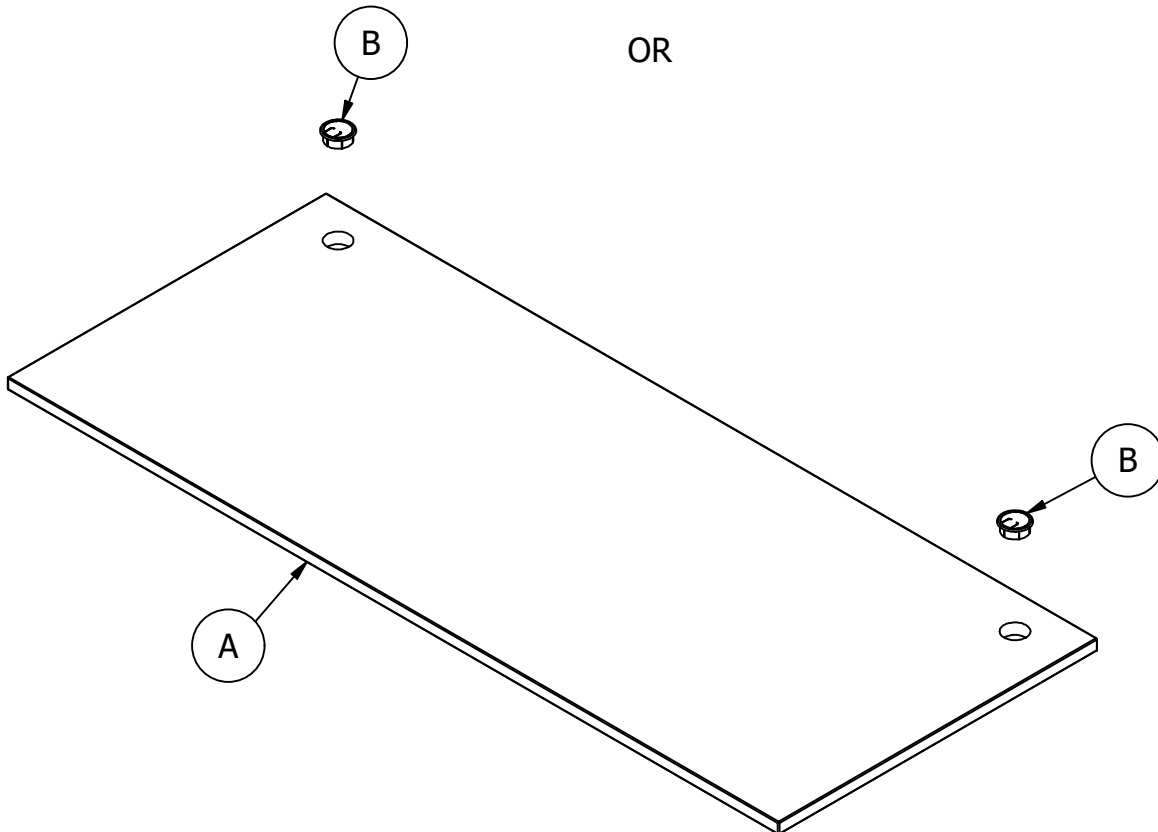


**FOR VIDEOS**

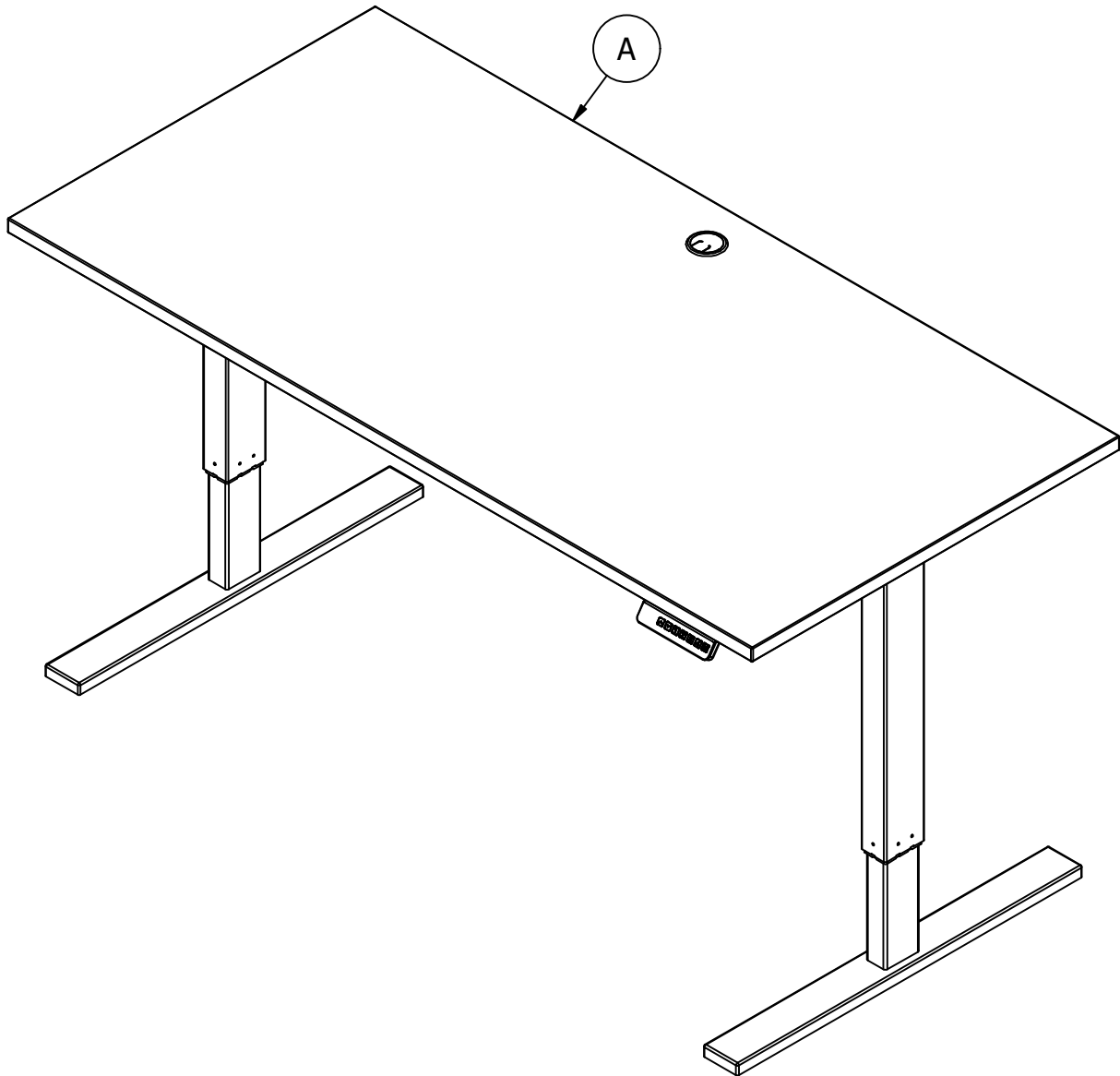
Or visit <https://www.bushbusinessfurniture.com/CustomerService/HowtoAssemble.aspx>



OR



Have an assembly question or need a replacement part? Just call  
**1-800-950-4782**, we are here to help.



For leg kit attachment, please use the assembly instructions supplied with the leg kit.  
Para la instalación del juego de patas, use las instrucciones de ensamblaje provistas con el juego de patas.  
Pour l'attachement de kit de jambe, employez svp les instructions de montage fourni avec le kit de jambe.

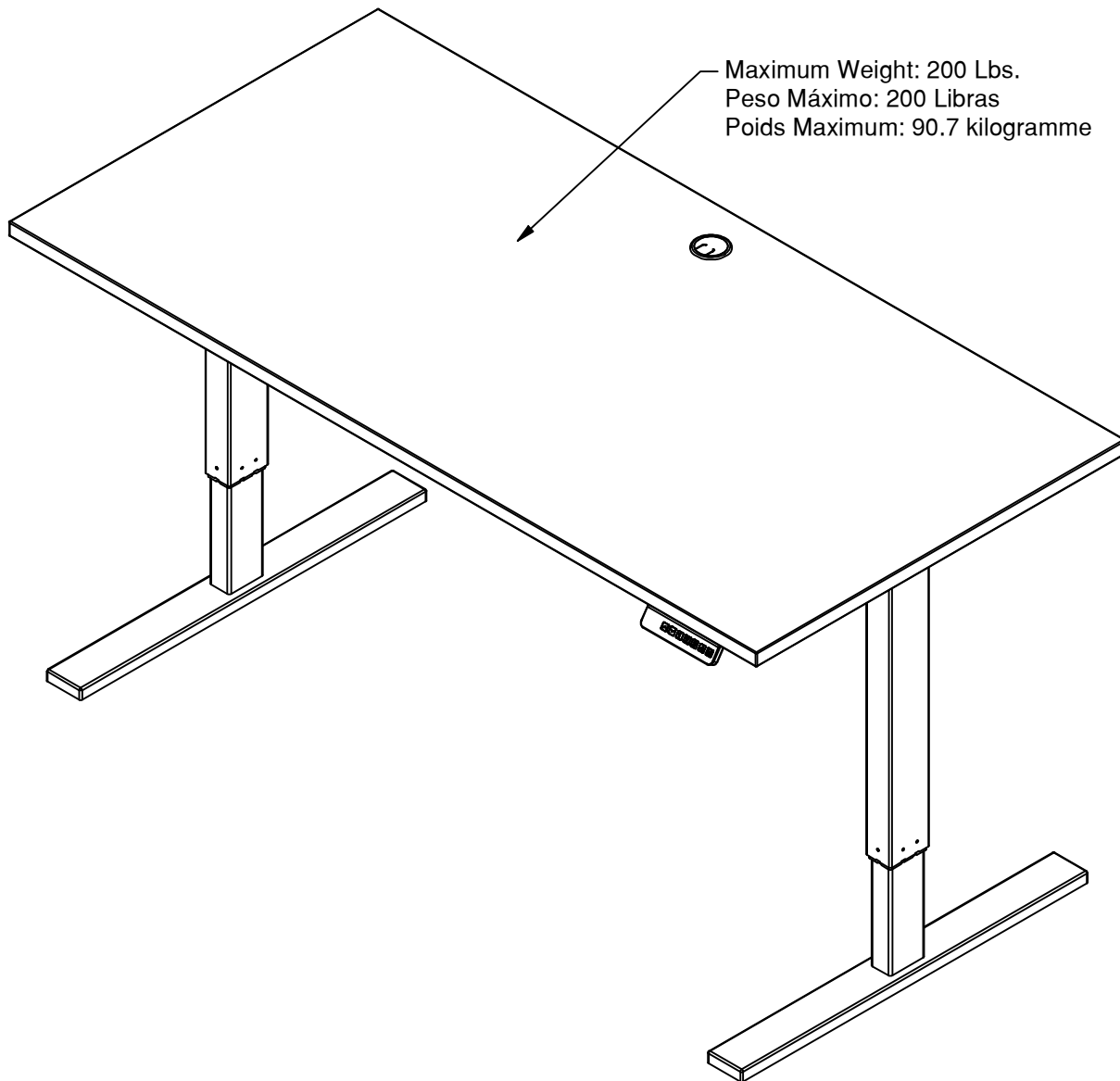
Have an assembly question or need a replacement part? Just call  
**1-800-950-4782**, we are here to help.

Scan QR Code to  
Watch Video on:



Gently clean surfaces  
with a damp sponge eraser.

How to Clean  
the Surface



Congratulations! You are all done. If  
you have any questions or concerns,  
please call.

Have an assembly question or need a replacement part? Just call  
**1-800-950-4782**, we are here to help.

## HAT4824

HAT4824HC A [1] W192649 B [1] H118700	HAT4824MRS A [1] W192651 B [1] H118700	HAT4824AC A [1] W192647 B [1] H118700	HAT4824NC A [1] W192654 B [1] H118700	HAT4824PG A [1] W205806 B [1] H184440
HAT4824MR A [1] W192652 B [1] H118700	HAT4824WH A [1] W192655 B [1] H184440	HAT4824CS A [1] W192650 B [1] H118700	HAT4824BW A [1] W191818 B [1] H118700	HAT4824NE A [1] W216409 B [1] H216048
HAT4824SG A [1] W193727 B [1] H184440	HAT4824SO A [1] W193728 B [1] H151406	HAT4824MH A [1] W193729 B [1] H151406	HAT4824WP A [1] W200279 B [1] H107716	

## HAT4830

HAT4830HC A [1] W192672 B [1] H118700	HAT4830MRS A [1] W192674 B [1] H118700	HAT4830AC A [1] W192670 B [1] H118700	HAT4830NC A [1] W192677 B [1] H118700	HAT4830MH A [1] W205807 B [1] H151406
HAT4830MR A [1] W192675 B [1] H118700	HAT4830WH A [1] W192680 B [1] H184440	HAT4830CS A [1] W192673 B [1] H118700	HAT4830CO A [1] W192671 B [1] H151407	HAT4830BW A [1] W205809 B [1] H118700
HAT4830SG A [1] W192679 B [1] H184440	HAT4830PG A [1] W192605 B [1] H184440	HAT4830SO A [1] W192648 B [1] H151406	HAT4830WP A [1] W200280 B [1] H107716	

## HAT6024

HAT6024HC A [1] W192657 B [1] H118700	HAT6024MRS A [1] W192658 B [1] H118700	HAT6024AC A [1] W192656 B [1] H118700	HAT6024NC A [1] W192661 B [1] H118700	HAT6024MR A [1] W192659 B [1] H118700
---	--	---	---	---

## HAT6030

HAT6030HC A [1] W192683 B [1] H118700	HAT6030SO A [1] W192678 B [1] H151406	HAT6030AC A [1] W192681 B [1] H118700	HAT6030CS A [1] W192684 B [1] H118700	HAT6030CO A [1] W192682 B [1] H151407
HAT6030NC A [1] W192688 B [1] H118700	HAT6030MR A [1] W192686 B [1] H118700	HAT6030WH A [1] W192691 B [1] H184440	HAT6030SG A [1] W192690 B [1] H184440	HAT6030PG A [1] W192604 B [1] H184440
HAT6030BW A [1] W205810 B [1] H118700	HAT6030MH A [1] W205808 B [1] H151406	HAT6030WP A [1] W200281 B [1] H107716	HAT6030NE A [1] W216410 B [1] H216048	

## HAT7230

HAT7230HC A [1] W192695 B [2] H118700	HAT7230MRS A [1] W192697 B [2] H118700	HAT7230AC A [1] W192692 B [2] H118700	HAT7230CS A [1] W192696 B [2] H118700	HAT7230SG A [1] W192702 B [2] H184440
HAT7230NC A [1] W192700 B [2] H118700	HAT7230MR A [1] W192698 B [2] H118700	HAT7230WH A [1] W192703 B [2] H184440	HAT7230CO A [1] W192694 B [2] H151407	HAT7230BW A [1] W191817 B [2] H118700
HAT7230SO A [1] W192689 B [2] H151406	HAT7230MH A [1] W193435 B [2] H151406	HAT7230PG A [1] W192603 B [2] H184440	HAT7230WP A [1] W200282 B [2] H107716	HAT7230NE A [1] W216411 B [2] H216048