

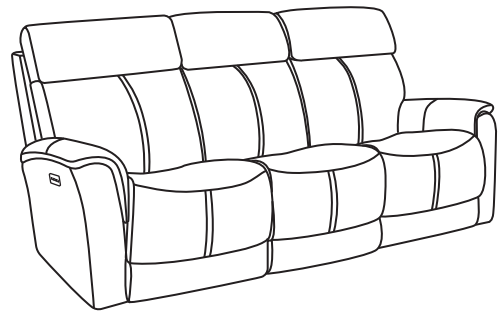
# FLEXSTEEL®

## Power Reclining Sofa with Console, Power Headrests & Lumbar

### IMPORTANT NOTE

Read these instructions carefully, and familiarize yourself with each step before assembling the furniture. Check that you have all the component parts, and familiarize yourself with each part before proceeding.

Take all the fittings out of the plastic bag and separate them into groups. Ensure you have enough space to lay out all the parts before assembly. To prevent damage to the parts, we recommend that you assemble the unit on a soft, level surface.

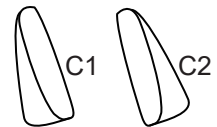


### Part List

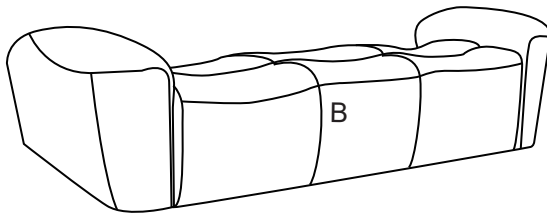
A. Back Cushion  
3 pieces



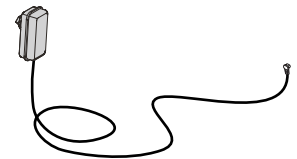
C. Wing  
2 pieces



B. Seat Cushion  
1 piece



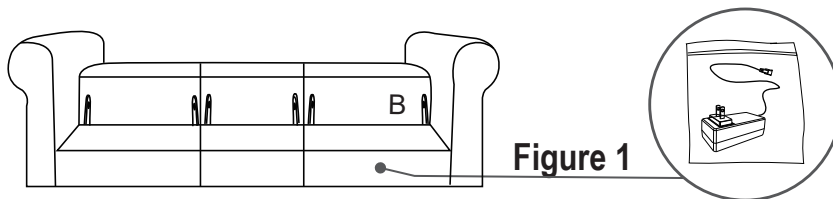
D. Transformer  
2 piece



### Assembly Instructions

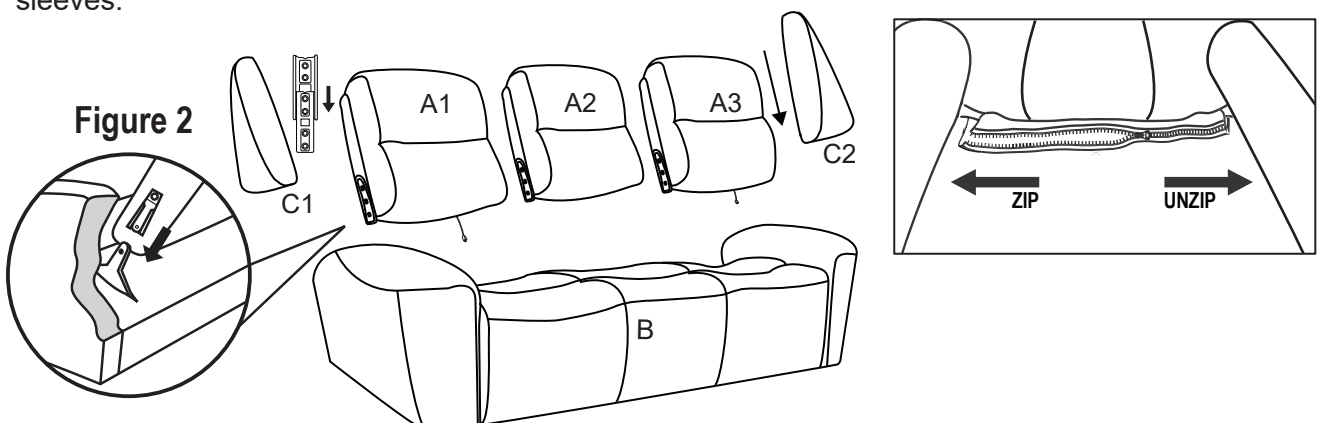
#### STEP 1

Detach the transformers (D) from the back rail of the mech under the seat (B). (See Figure 1.)



#### STEP 2

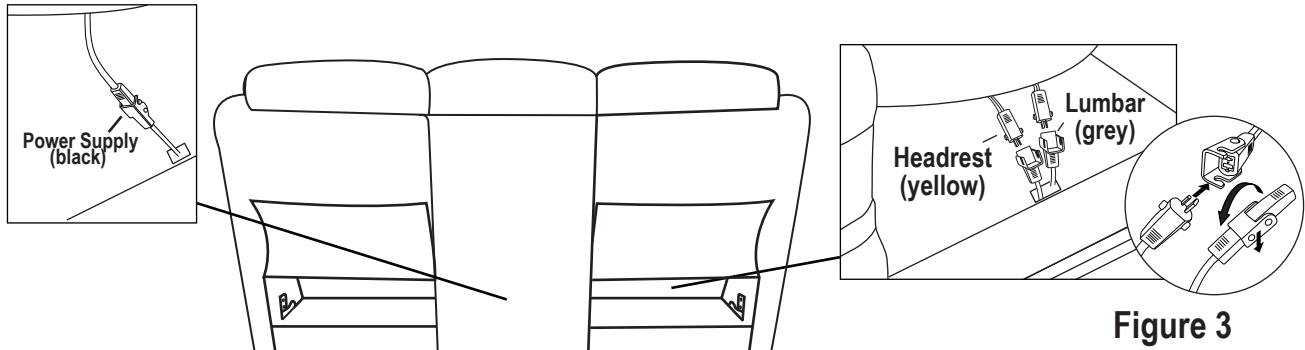
Attach the Backs (A) to the Seat (B). Ensure the latches fit well. (See Figure 2.) Zip up the seat cushion and back cushions. Slide the metal inserts on the chair's wings (C) into the metal sleeves on the side of the chair back. Slide the wings (C) down until they are completely set on the backs metal sleeves.



# Assembly Instructions

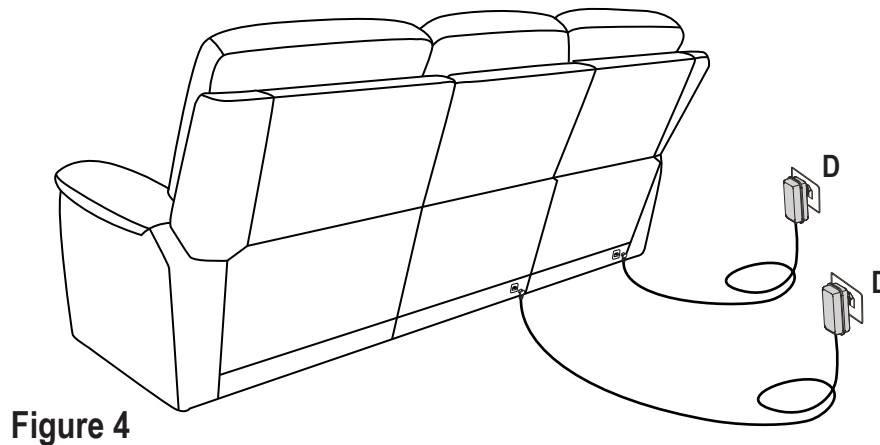
## STEP 3

Flip up the back flaps, and remove the cables from the Backs (A). Plug all the connectors. (See Figure 3.)



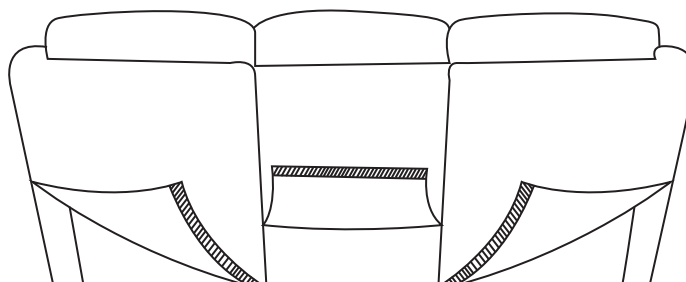
## STEP 4

Fit the transformers(D) to power port in sofa. Plug the transformers(D) into a nearby outlet, still make sure it is clear of the metal base. (See Figure 4.)



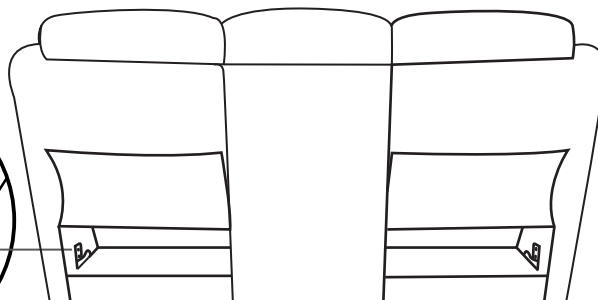
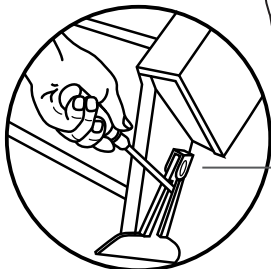
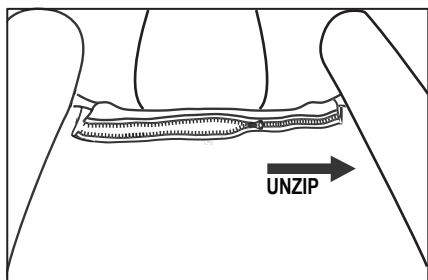
## STEP 5

Fasten the back flaps to the bottom of the furniture. (See Figure 5.)



## Disassembly Instructions

Unzip the seat cushion and back cushions, to remove the back from the base. Pull out the black tab by hand or use a screwdriver pressing outward on black tab, then lift the back from the base of the chair to release.



Screwdriver required  
(not included)

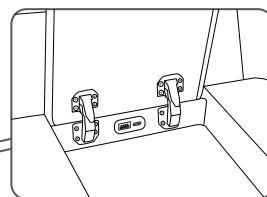
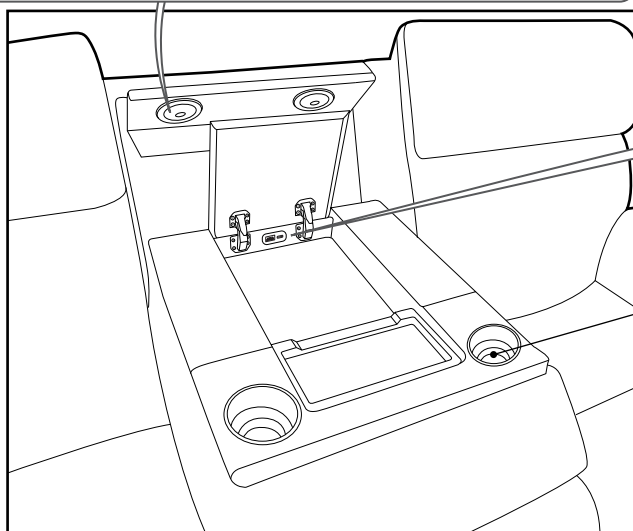
## Operating Instructions

### How to Use LED Lights

Press the Middle of LED Lights to activate the LED Light.

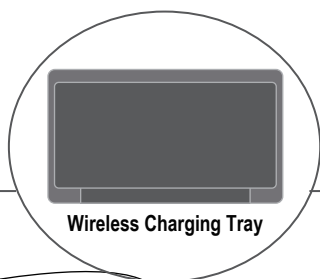
Press the Middle of LED Lights again to activate the stronger LED Light.

Press the Middle of LED Lights again to turn off the light.

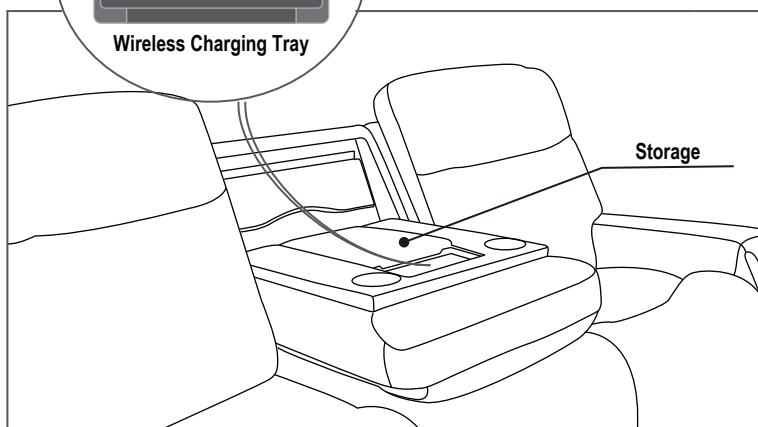


USB & Type-C Ports

Cup Holder



Wireless Charging Tray



Storage

## Additional Information

### FCC INSTRUCTION

**CAUTION:** Changes or modifications not expressly approved by the party responsible for compliance could void the user's authority to operate the equipment.

**NOTE:** This equipment has been tested and found to comply with the limits for a Class B digital device, pursuant to Part 15 of the FCC Rules. These limits are designed to provide reasonable protection against harmful interference in a residential installation. This equipment generates, uses, and can radiate radio frequency energy and, if not installed and used in accordance with the instructions, may cause harmful interference to radio communications. However, there is no guarantee that interference will not occur in a particular installation. If this equipment does cause harmful interference to radio or television reception, which can be determined by turning the equipment off and on, the user is encouraged to try to correct the interference by one more of the following measures:

- Reorient or relocate the receiving antenna.
- Increase the distance between the equipment and receiver.
- Connect the equipment into an outlet on a circuit different from that to which the receiver is connected.
- Consult the dealer or an experienced radio/TV technician for help.

### IMPORTANT NOTE

- To avoid any risk of suffocation to children or pets, dispose of all plastic bags immediately.
- To ensure proper performance, occasionally check for loose screws and tighten as needed.
- If the reclining functions are not working properly, check for loose cable connections before contacting the retailer.

### Customer Service

If you have any questions regarding the use of this unit or find that your unit needs service, please contact your retailer.

Product Protected By Following Patents:  
Patented Power Hidden Cupholder  
US Patent: 10,681,987  
Patented Articulating Power Headrest & Lumbar  
US Patent: 10,736,423