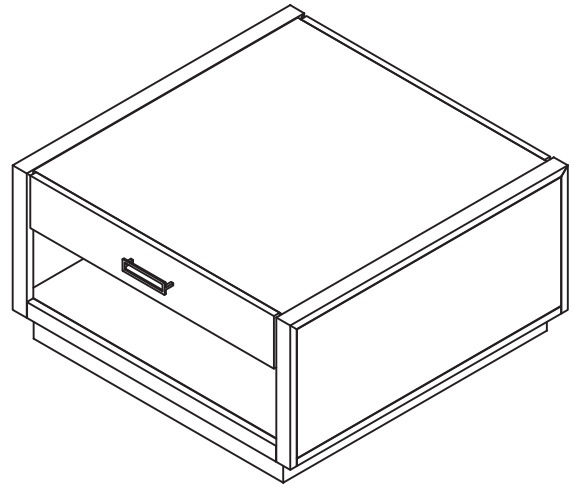


# Coffee Table



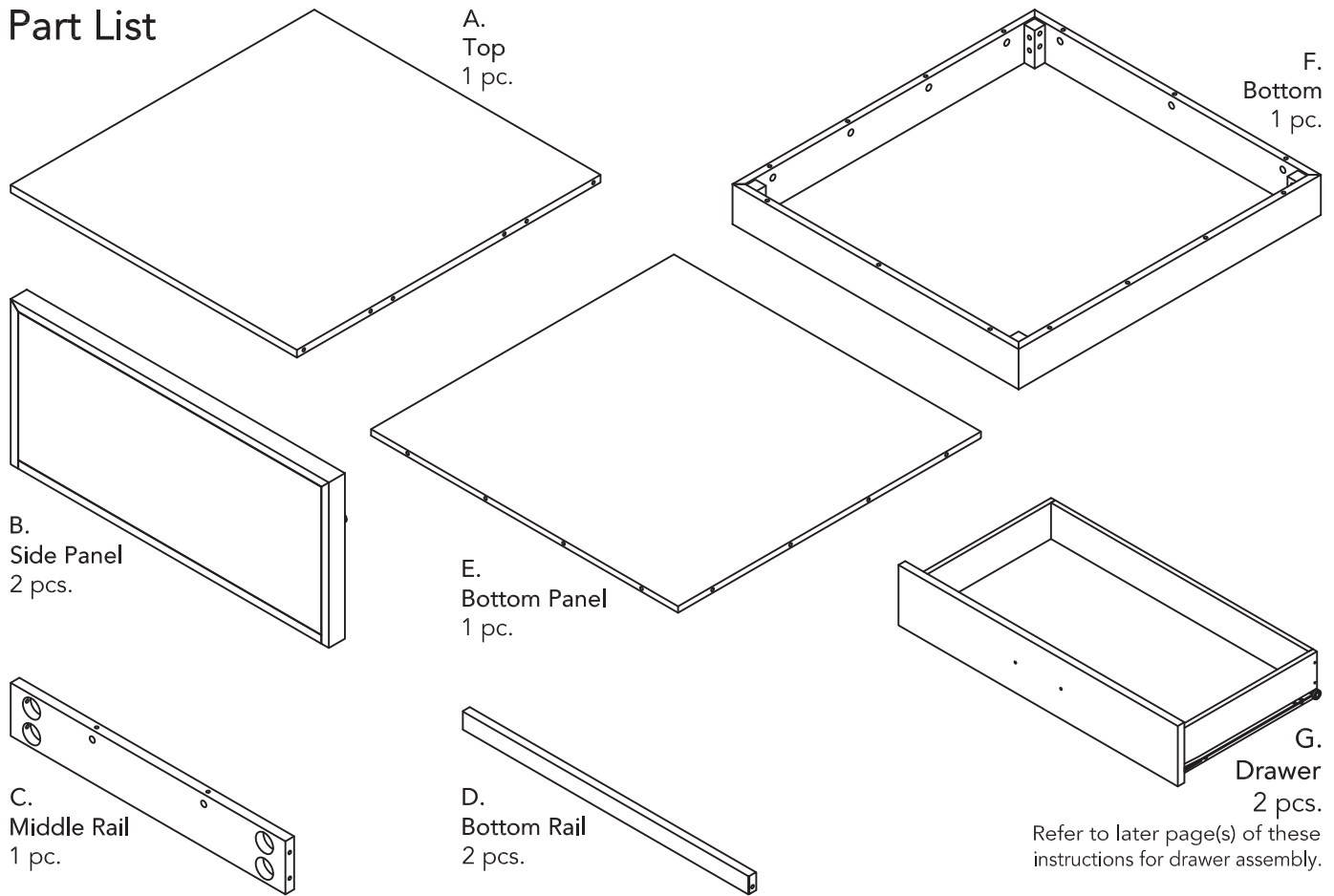
## IMPORTANT

Carefully remove all the parts from the carton and place them individually on a soft cloth to prevent scratches or other damage.

Carefully and strictly follow these assembly instructions to ensure a completed product as designed.

Do not use power tools above 8 volts to assemble.

## Part List



## Hardware List



Cam Lock  
44 pcs. (+4 extra)



Cam Lock Screw  
44 pcs. (+4 extra)



M3x32  
1 1/4" Flat Head Screw  
28 pcs. (+1 extra)



M3x19  
3/4" Flat Head Screw  
12 pcs. (+1 extra)



M6x80  
Bolt  
4 pcs. (+1 extra)



Flat Washer  
4 pcs. (+1 extra)



Spring Washer  
4 pcs. (+1 extra)



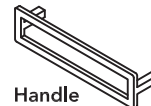
Nut  
4 pcs. (+1 extra)



Wrench  
1 pc.



5/32"x1"  
Machine Screw  
4 pcs.



Handle  
2 pcs.



Dowel  
4 pcs. (+1 extra)

Tool(s) required for assembly: Phillips screwdriver, Level

Home Styles Customer Service: [www.homestyles-furniture.com](http://www.homestyles-furniture.com),  
[servicedesk@homestyles-furniture.com](mailto:servicedesk@homestyles-furniture.com), 888-680-7460, 877-831-0319

# Assembly Instructions 2/7

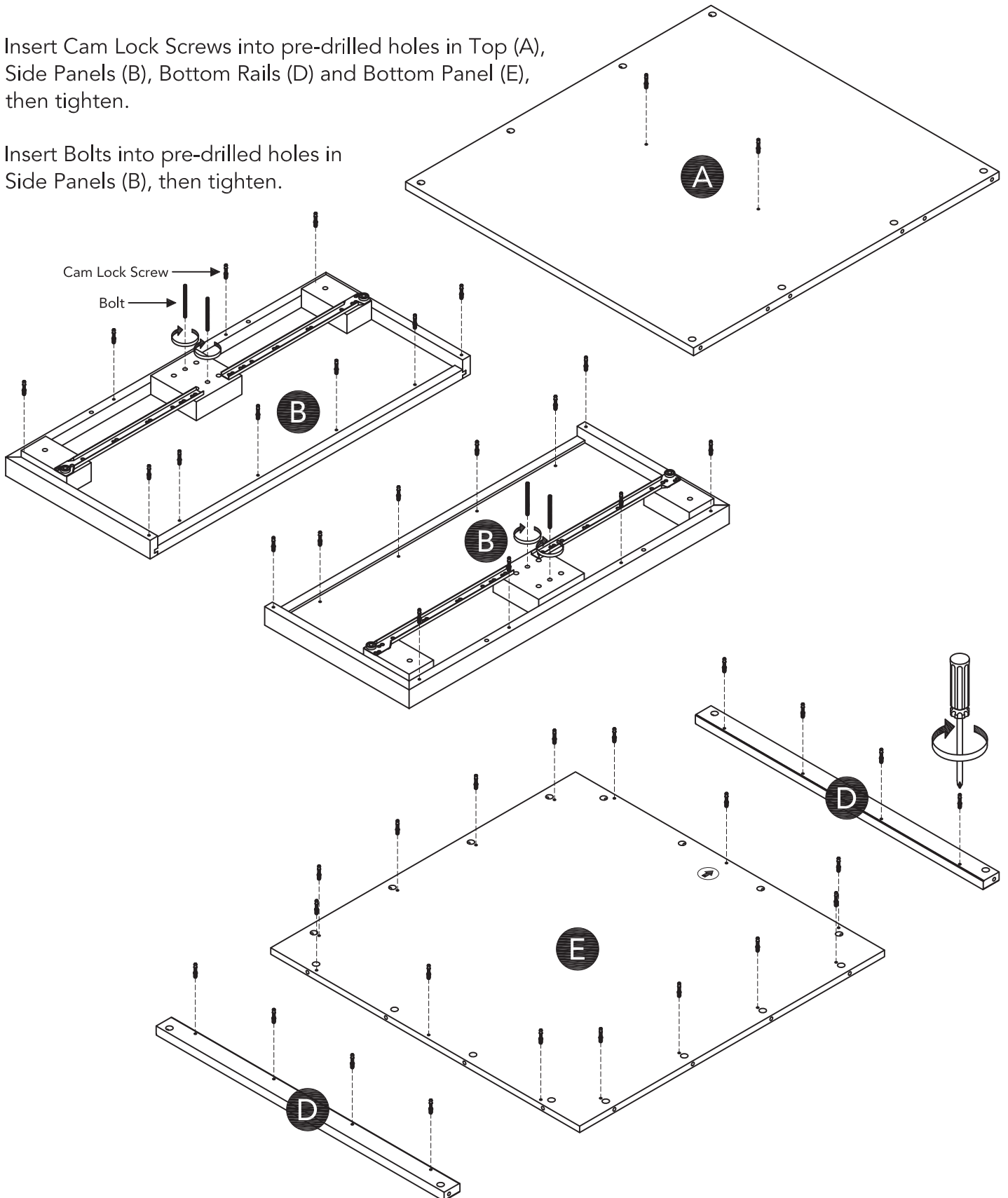
## IMPORTANT

- Use a soft cloth between these parts and the floor.
- Do not use power tools above 8 volts to assemble.
- Do not tighten all the screws until each part is properly assembled.
- The unit must be level to work properly. Use the included adjustable levelers to level.
- Keep Wrench as the Nuts may need to be tightened in the future.

## STEP 1

Insert Cam Lock Screws into pre-drilled holes in Top (A), Side Panels (B), Bottom Rails (D) and Bottom Panel (E), then tighten.

Insert Bolts into pre-drilled holes in Side Panels (B), then tighten.



# Assembly Instructions 3/7

## STEP 2

With Arrow label pointing to Bottom Rail (D), attach Bottom Rails (D) to Bottom Panel (E) with Cam Locks. (See Figure 1)

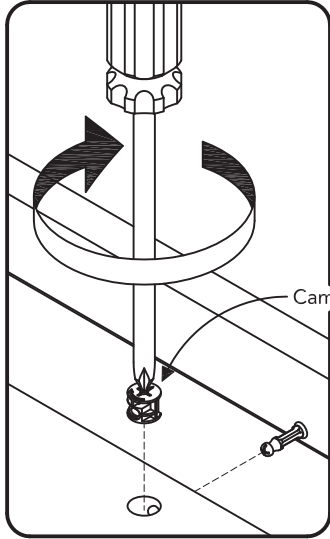
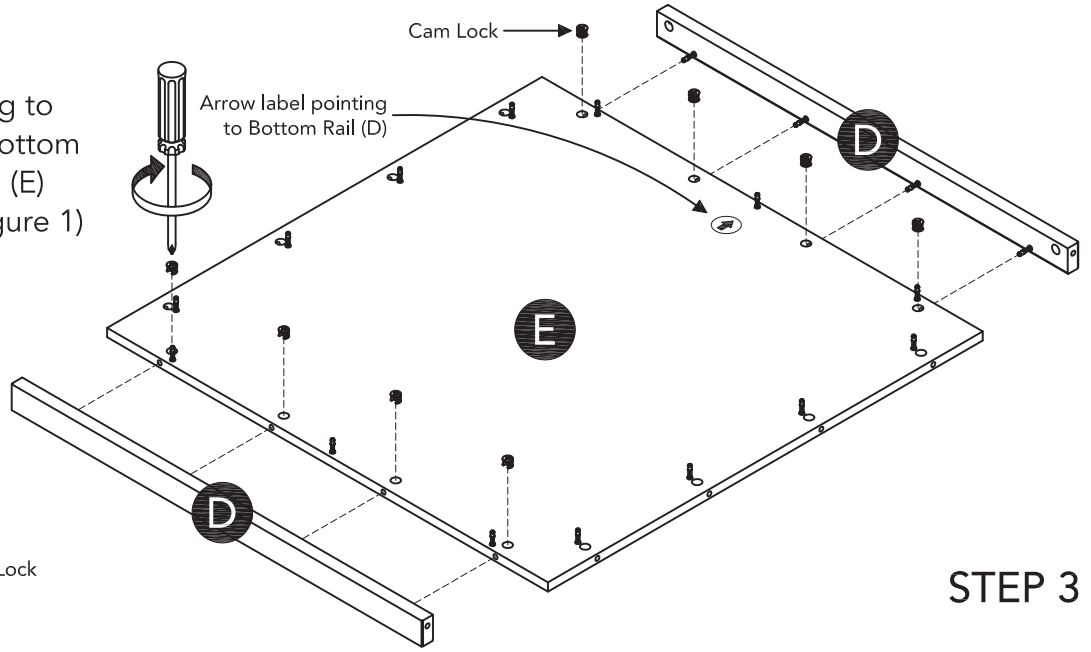
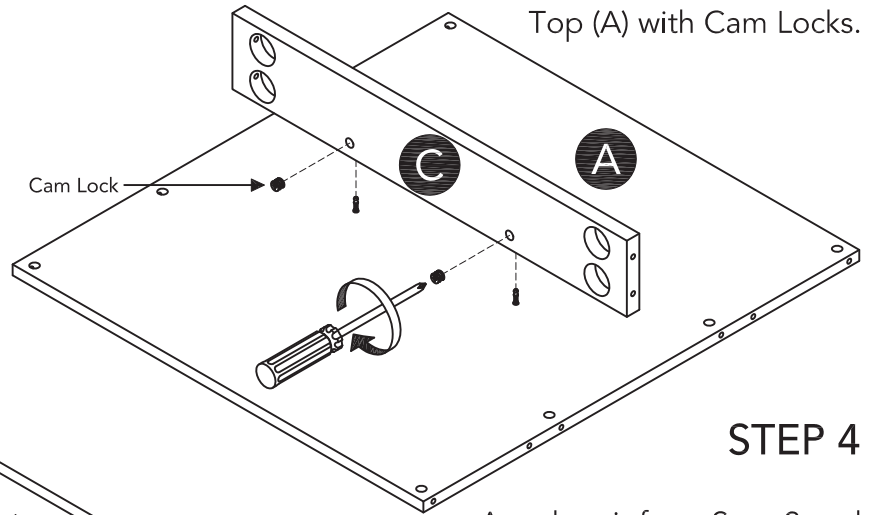


Figure 1



## STEP 3

Attach Middle Rail (C) to Top (A) with Cam Locks.



## STEP 4

Attach unit from Step 2 and unit from Step 3 to Side Panel (B) with Dowels, Cam Locks, Flat Washers, Spring Washers and Nuts.

Attach Side Panel (B) to unit with Dowels, Cam Locks, Flat Washers, Spring Washers and Nuts.

Tighten Nuts with Wrench. (See Figure 2)

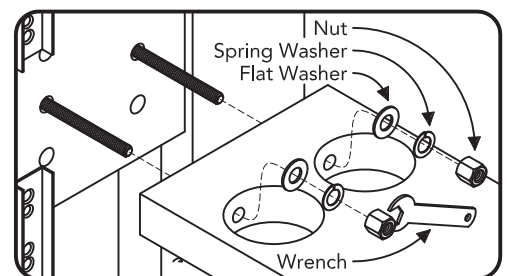
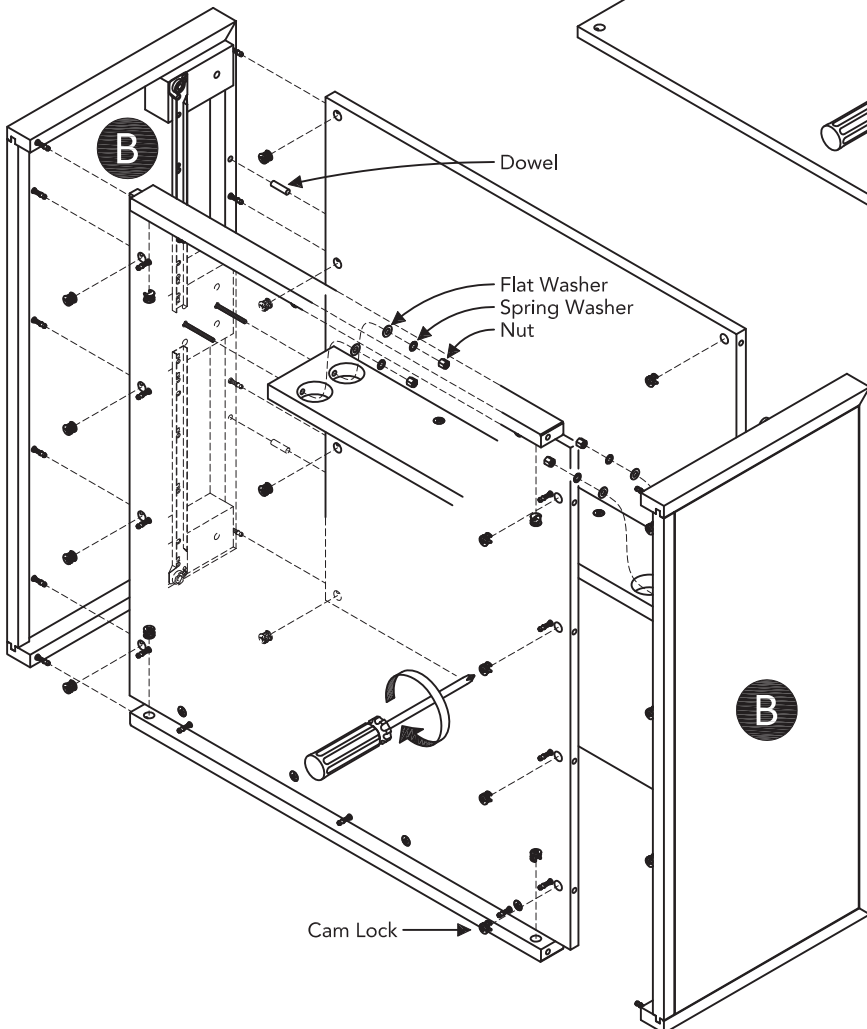
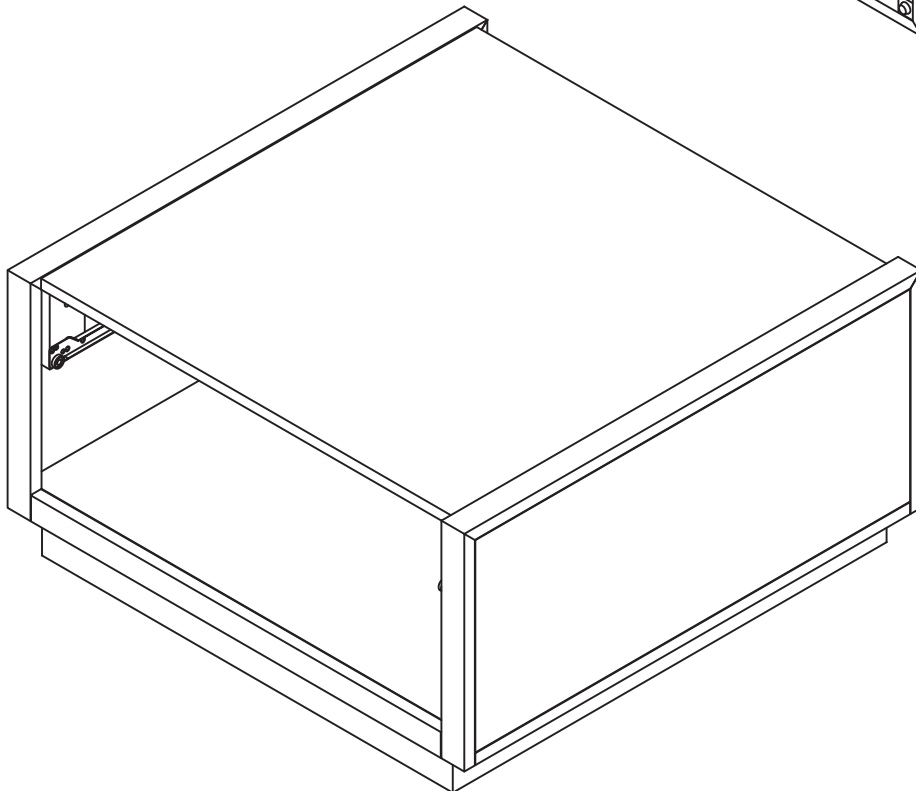
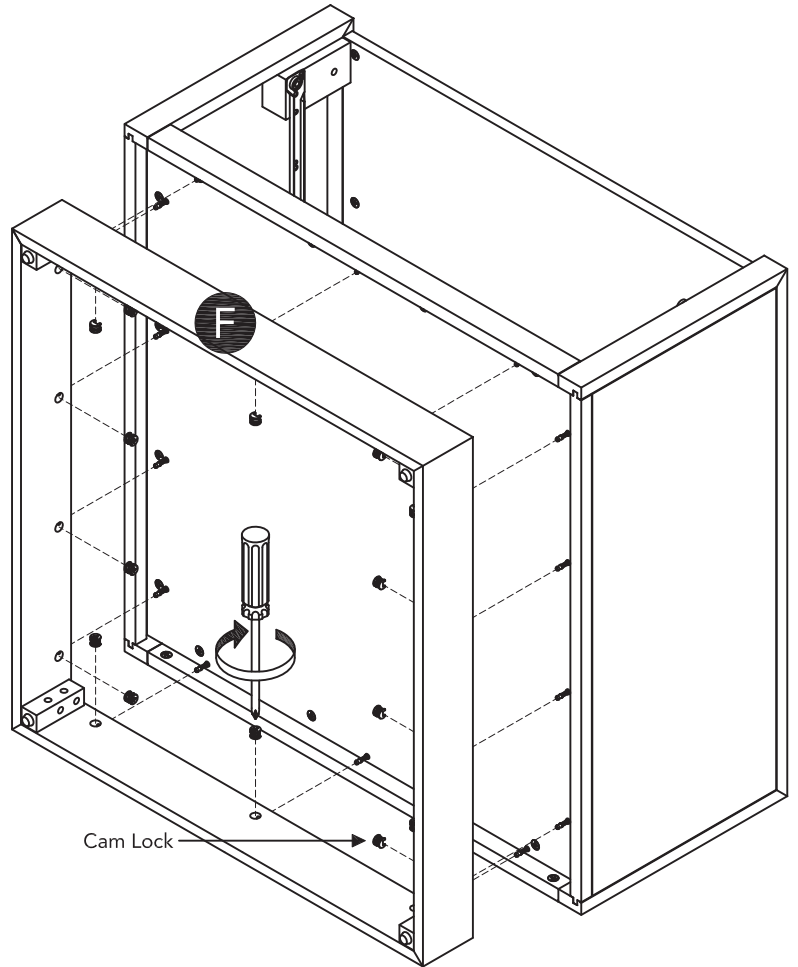


Figure 2

## Assembly Instructions 4/7

### STEP 5

Attach Bottom (F) to unit with Cam Locks.



### STEP 6

Turn unit to its upright position.

Level unit by adjusting the adjustable levelers on bottom of unit. (See Figure 3)

Note: Unit must be level to work properly.

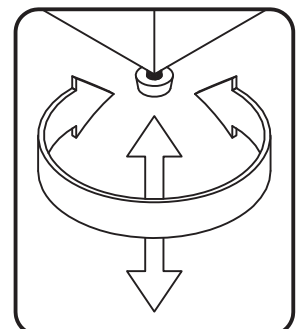
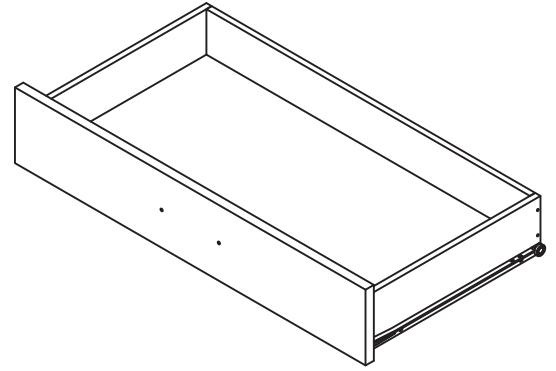
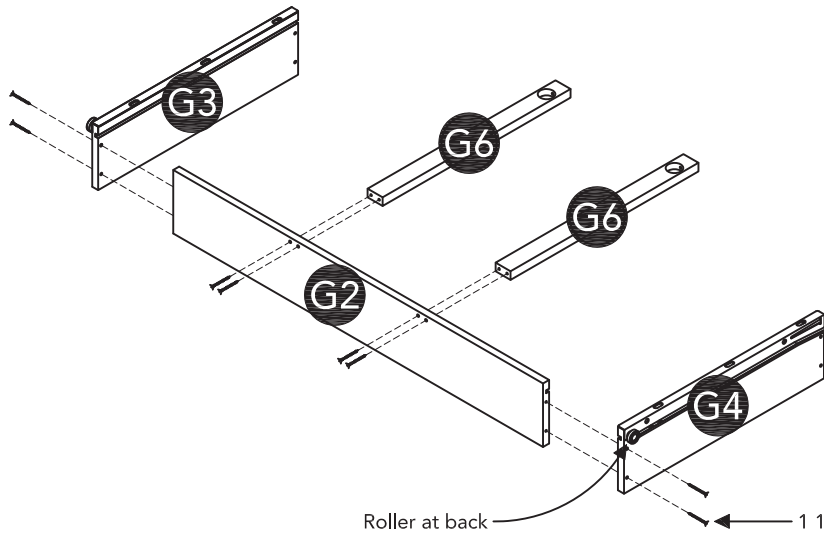


Figure 3

# Assembly Instructions 5/7

## Drawer (G)



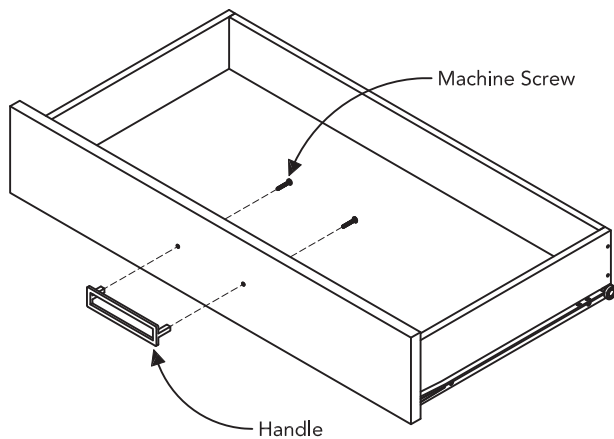
### STEP 7

Attach Drawer Sides (G3), (G4) and Supports (G6) to Drawer Back (G2) with 1 1/4" Flat Head Screws.

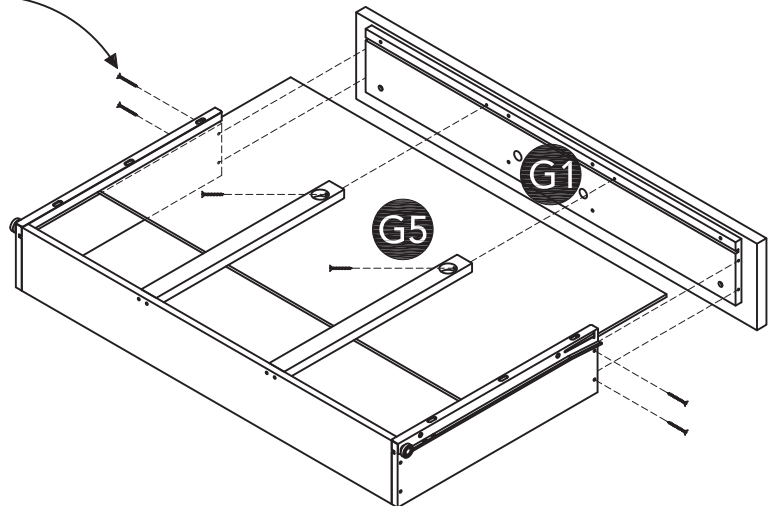
### STEP 8

Insert Drawer Bottom (G5) into groove.

Attach Drawer Front (G1) to unit with 1 1/4" Flat Head Screws.



1 1/4" Flat Head Screw

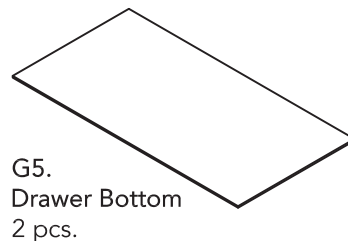
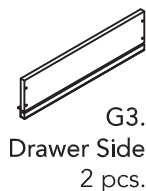
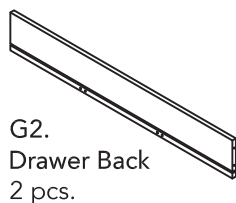
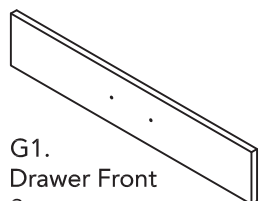


### STEP 9

Attach Handle with Machine Screws.

Note: Drawer assembly is not complete until 3/4" Flat Head Screws are installed in a later step.

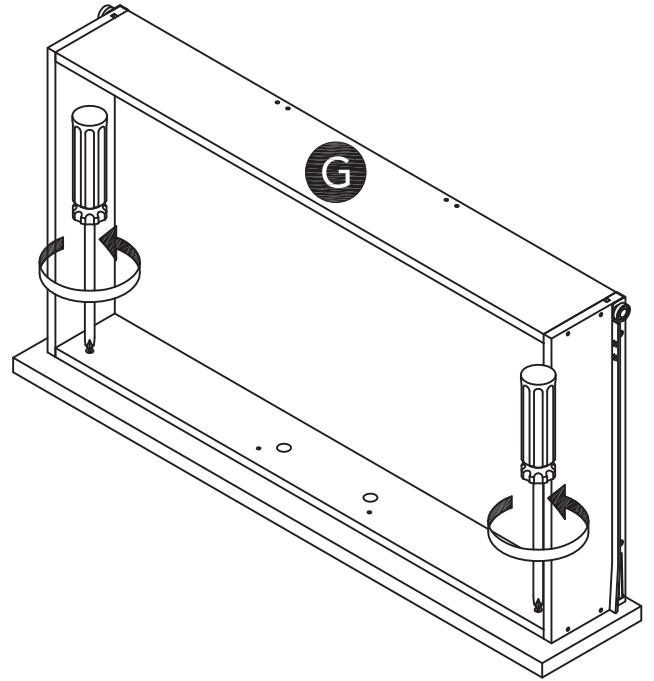
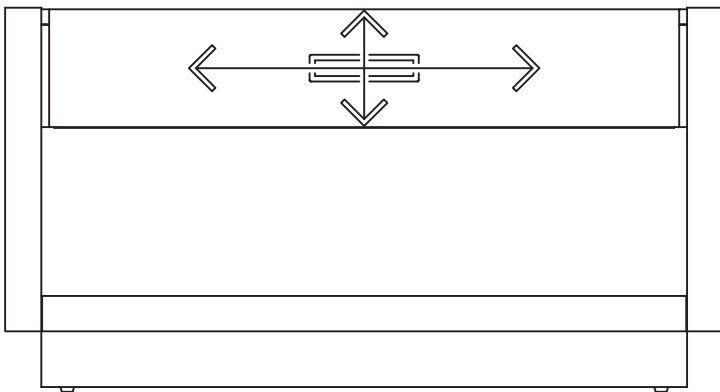
### Part List



# Assembly Instructions 6/7

## STEP 10

Loosen slightly screws pre-installed on back of drawer fronts.



## STEP 11

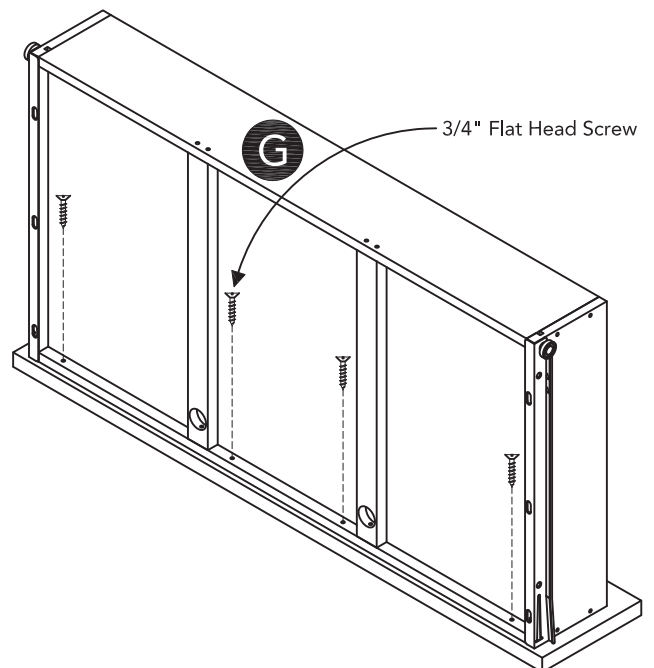
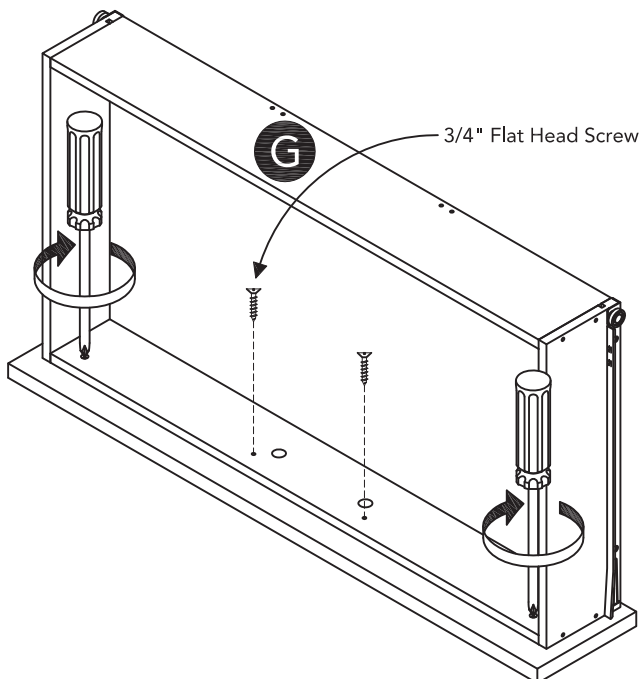
Insert drawers into unit, then adjust drawer front panels left or right and up or down until drawer gaps look proportional.

## STEP 12

Pull each drawer open slowly, then re-tighten screws from Step 10.

Make sure drawer front panels do not move and lock drawer front panels into position with 3/4" Flat Head Screws.

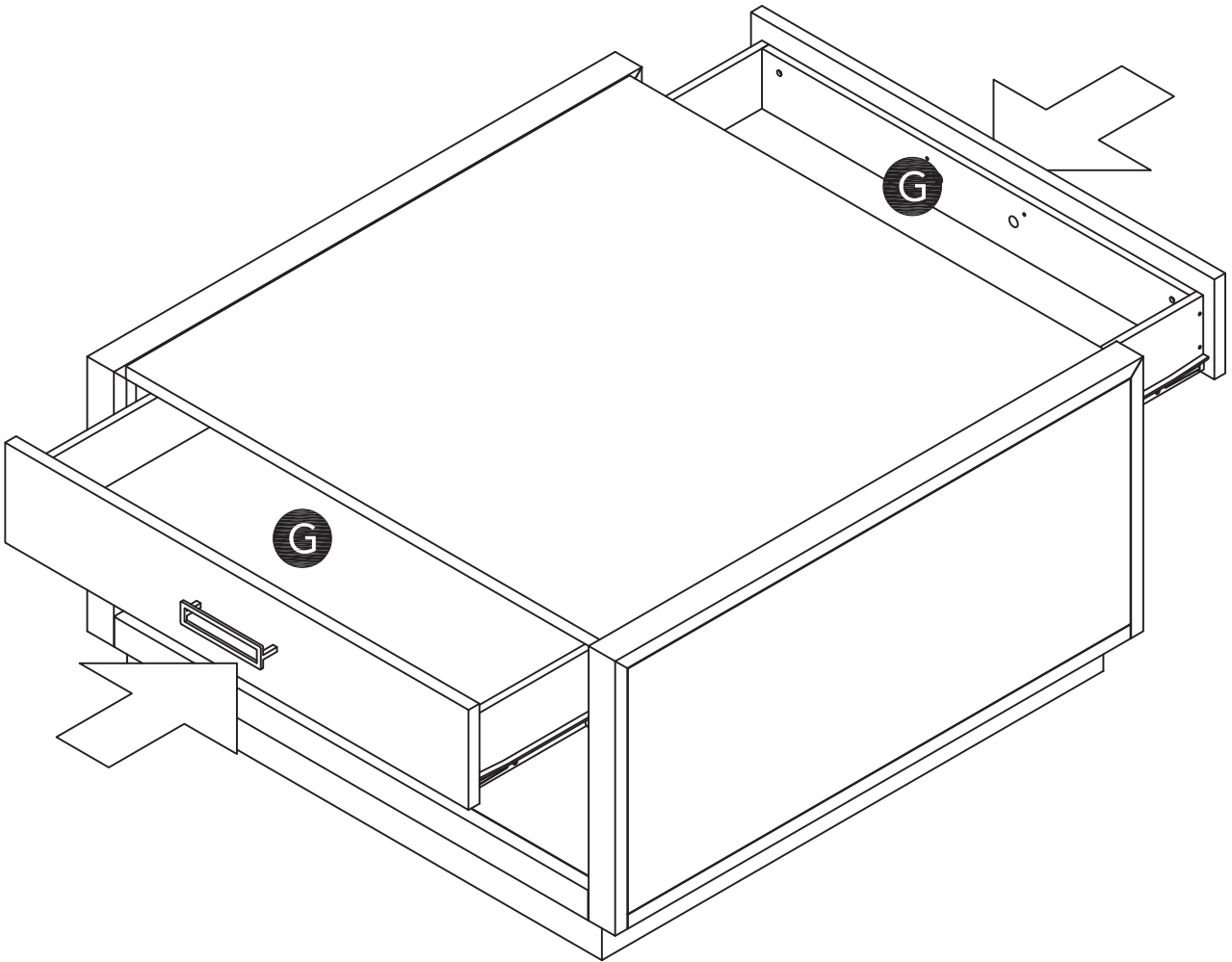
Note: These 3/4" Flat Head Screws must be installed to complete the drawer assembly.



## Assembly Instructions 7/7

### STEP 13

Slide Drawers (G) into position.



# CARE INSTRUCTIONS

## NEVER

allow liquids to remain on furniture.  
Absorption causes parts to warp  
and split and finishes to delaminate.

## NEVER

use glass cleaners on  
finished furniture. Ammonia  
chemically attacks the finish.



Do not use power tools  
above 8 volts to assemble.

**PREVENT  
CRACKING**



Do not place  
in direct sunlight.

**PREVENT  
FADING**



Do not write  
directly on surface.

**PREVENT  
MARKING**



Do not place hot  
objects on surface.

**PREVENT  
FINISH DAMAGE**



Do not use rubber  
based placemats.

**PREVENT  
DISCOLORING**



Do not use commercial  
waxes and polishes.

**PREVENT  
YELLOWING**

## CLEAN

with a soft cloth moistened  
in lukewarm soap and water.  
Buff with a dry clean cloth.



Home Styles will provide replacements free of charge for missing or damaged hardware or parts within 30 days of purchase. Digital images of the defective parts may be required. If the product was not purchased from an authorized retail affiliate, Home Styles is under no obligation to provide replacement parts. Parts are not available for fully assembled items nor are parts available for sale. Replacements for missing or damaged hardware or parts may be requested at:

[www.homestyles-furniture.com/customer-service/replacement-parts](http://www.homestyles-furniture.com/customer-service/replacement-parts)

Home Styles Customer Service: [www.homestyles-furniture.com](http://www.homestyles-furniture.com),  
[servicedesk@homestyles-furniture.com](mailto:servicedesk@homestyles-furniture.com), 888-680-7460, 877-831-0319