

Installation Instructions

Bidet Seat

Record your model number:
Noter le numéro de modèle:
Anoté su número de modelo: _____

Français, page 10
Español, página 18


KOHLER®


Thank You for Choosing KOHLER


Need help? Contact our Customer Care Center.


- USA/Canada: 1-800-4KOHLER (1-800-456-4537) Mexico: 001-800-456-4537
- Service parts: [kohler.com/serviceparts](https://www.kohler.com/serviceparts)
- Care and cleaning: [kohler.com/clean](https://www.kohler.com/clean)
- Patents: [kohlercompany.com/patents](https://www.kohlercompany.com/patents)


Important Information

 **WARNING: Risk of electric shock.** Connect only to a properly-grounded dedicated circuit protected by a Class A Ground-Fault Circuit-Interrupter (GFCI)*. Use 120 V, 60 Hz, 15 A service. Do not remove the grounding pin or use a grounding adapter.

 **WARNING: Risk of electric shock.** Do not immerse or flush the product with water.

 **CAUTION: Risk of product damage.** Do not install this product in a location exposed to excessive moisture where condensation might form on the product surface. Provide adequate ventilation when bathing to avoid damage to the electronic components due to high humidity levels.

 **CAUTION: Risk of product damage.** Do not supply electrical power to the unit until the plumbing installation work has been completed, as it may cause the product to malfunction.

 **CAUTION: Risk of property or product damage.** Pushing or pulling on the water connection may cause water leakage.

NOTE: This product contains thermal protectors that may trip during storage or transportation in warm conditions, causing the unit to not operate. Allow the unit to cool to room temperature before installation or operation.


Follow all local plumbing and electrical codes.

Connect the seat to a cold water supply of drinking quality with a pressure of 20 psi (139 kPa) - 80 psi (551 kPa).

*Outside North America, this may be known as a Residual Current Device (RCD).

Grounding Instructions


This product should be grounded. In the event of an electrical short circuit, grounding reduces the risk of electric shock by providing an escape wire for the electric current. This product is equipped with a cord having a grounding wire with a grounding plug. The plug must be plugged into an electrical outlet that is properly installed and grounded.

 **DANGER: Risk of electric shock.** Improper use of the grounding plug can result in a risk of electric shock.

If repair or replacement of the cord or plug is necessary, do not connect the grounding wire to either flat blade terminal. The wire with insulation having an outer surface that is green with or without yellow stripes is the grounding wire.

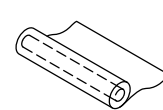
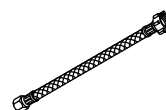
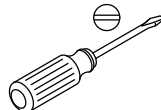
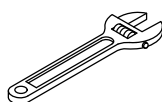
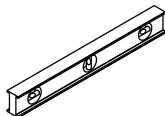
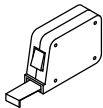
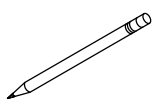
Check with a qualified electrician or service personnel if the grounding instructions are not completely understood, or if in doubt whether the product is properly grounded.

This product is factory equipped with a specific electric cord and plug to permit connection to a proper electric circuit. Make sure that the product is connected to an outlet having the same configuration as the plug. No adapter should be used with this product. Do not modify the plug provided — if it will not fit the outlet, have the proper outlet installed by a qualified electrician. If the product must be reconnected for use on a different type of electric circuit, the connection should be made by qualified service personnel.

 **CAUTION: Risk of property damage.** If it is necessary to use an extension cord, a single cord may be used provided that the "Type" begins with "SJ", the cord is a 12 gauge, grounded (12/3), is no longer than 25 feet (7.6 meters), and is plugged into a GFCI* electrical outlet. Promptly replace an extension cord that exhibits any sign of damage.

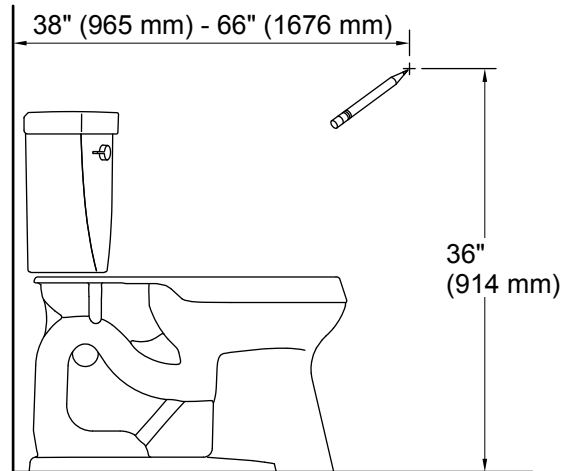
*Outside North America, this may be known as a Residual Current Device (RCD).

Tools and Materials



7/8" Supply Hose Plastic Wrap

1. Prepare the Site



- If applicable, remove the existing toilet seat.
- Turn OFF the water supply to the toilet.
- Flush the toilet to relieve any pressure from the supply hose.
- Disconnect the water supply hose from the toilet fill valve.
- Determine the installation location for the remote control docking station on the wall.

Install an Electrical Outlet

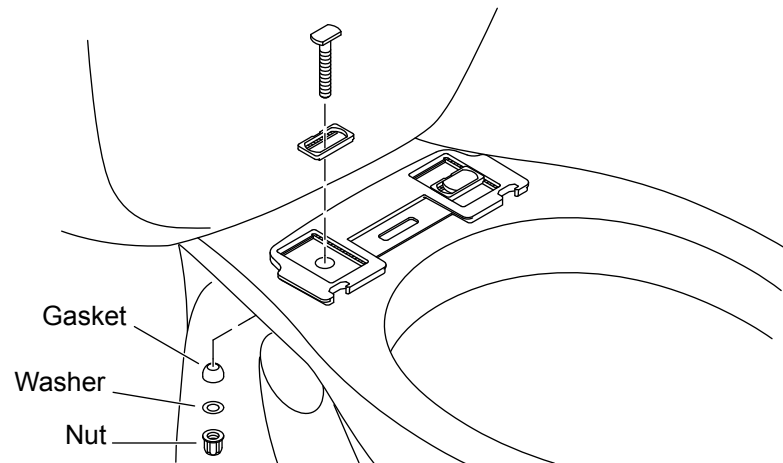
⚠ WARNING: Risk of electric shock. Connect only to a properly-grounded dedicated circuit protected by a Class A Ground-Fault Circuit-Interrupter (GFCI)*. Use 120 V, 60 Hz, 15 A service. Do not remove the grounding pin or use a grounding adapter.

*Outside North America, this may be known as a Residual Current Device (RCD).

NOTE: Follow local codes when determining the electrical outlet location.

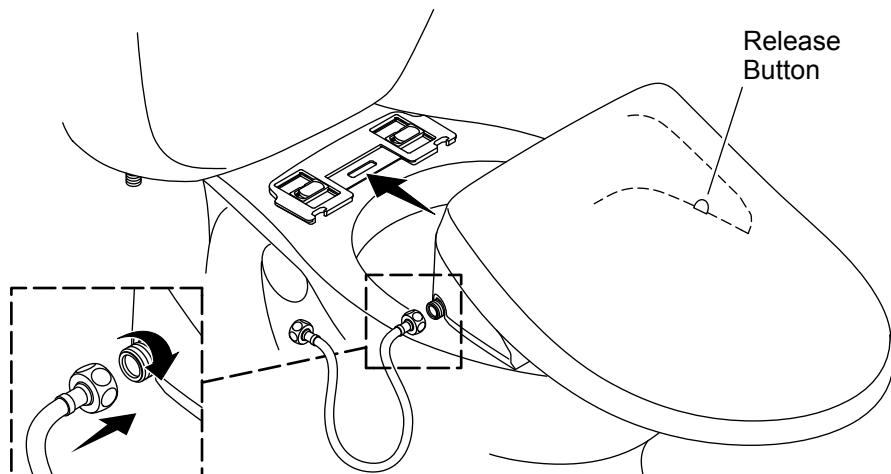
- Install a dedicated 120 V GFCI-protected electrical outlet within 32" (813 mm) of the toilet to accommodate the length of the power cord.
- Do not plug the seat into the electrical outlet at this time.

2. Install the Mounting Plate



- Position the mounting plate over the mounting holes on the bowl.
- Position the inserts in the grooves on the mounting plate as shown.
- Insert the bolts through the inserts and thread into the mounting holes.
- Assemble a gasket, washer, and nut onto each bolt.
- Do not fully tighten at this time.

3. Install the Seat



Position the Seat

- Slide the seat onto the mounting plate until you feel the seat snap into place.
- Check the seat position. Adjust the position if needed.

Adjust the Seat

- Remove the seat by pressing the release button and sliding the seat forward.
- Reposition the mounting plate as needed.

Secure the Seat

- Securely tighten the mounting plate bolts and nuts.
- Slide the seat onto the mounting plate until you feel the seat snap into place.

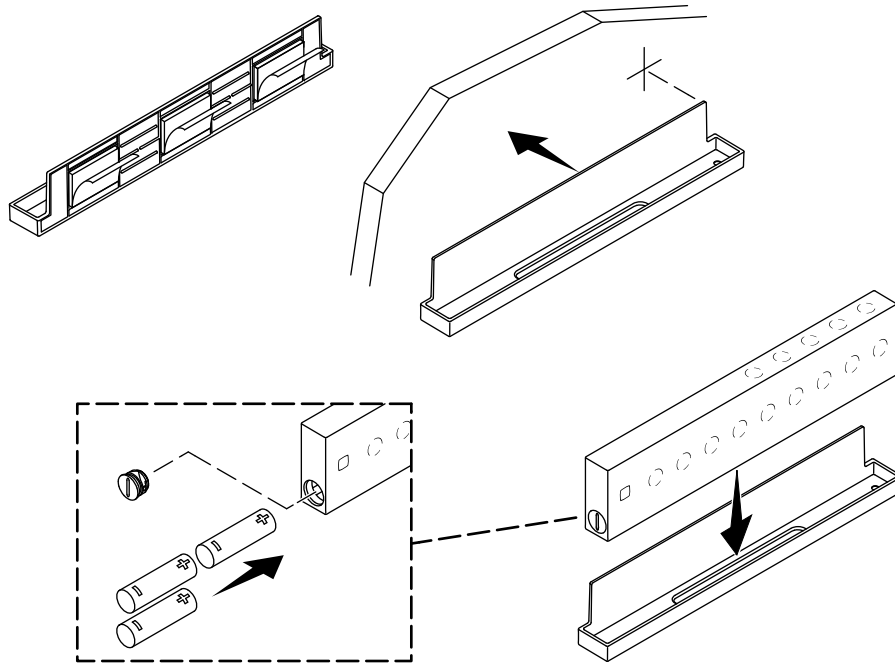
Attach the Water Line

IMPORTANT! Use only the water line included with the seat. Using a different hose may damage the seat components.

NOTICE: Use care to avoid cross-threading or overtightening the connections. Use an adjustable wrench to tighten one-quarter turn past hand-tight.

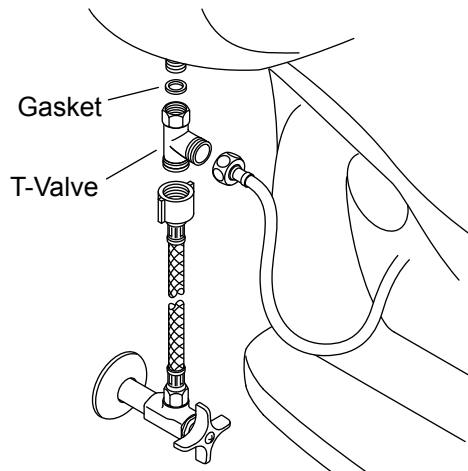
- Connect the water line to the seat. Do not overtighten.

4. Install the Remote Control



- Attach the double-sided tape to the back of the docking station.
- Peel the backing from the double-sided tape.
- Align the docking station with the marked location on the wall. Verify level and press onto the wall.
- Remove and retain the cap to the battery compartment.
- Install three AAA batteries in the orientation shown.
- Reinstall the cap to the battery compartment.
- Place the remote control on the docking station.

5. Connect the Water Supply

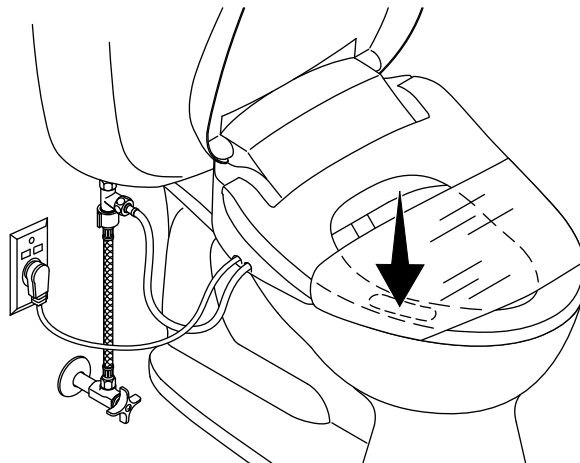


⚠ CAUTION: Risk of property or product damage. Pushing or pulling on the water connection may cause water leakage.

NOTICE: Use care to avoid cross-threading or overtightening the connections. Use an adjustable wrench to tighten one-quarter turn past hand-tight.

- Verify that the gasket is installed inside the T-valve.
- Connect the T-valve to the water inlet on the toilet tank.
- Connect the seat water line to the T-valve.
- Connect the supply hose (not provided) to the T-valve.
- If needed, connect the supply hose to the supply stop.
- Turn ON the water supply.
- Check all connections for leaks, and make adjustments as needed.

6. Check the Installation



NOTE: Covering the seat with plastic wrap is optional. The features can be tested while sitting on the seat or covering the wand with your hand.

NOTE: When testing the features, apply pressure to the occupancy sensor on the left side of the seat (facing the toilet). The features will not activate if there is no pressure on the sensor.

- Optional:** Wrap the seat with plastic wrap to prevent water from spraying beyond the toilet while testing.
- Plug the power cord into the electrical outlet. The seat will go through a power-up sequence. The seat will go silent when the power-up is complete.
- Refer to the Homeowners Guide to test the seat features.