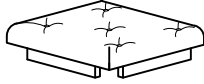
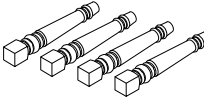








Thank you for purchasing this quality product. Be sure to check all packing materials carefully for small parts which may have come loose inside the carton during shipment. Identify and count all items and compare with the parts list and hardware list shown below.

| PARTS LIST | | | |
|-----------------|-------------------------|---|------|
| NO | DESCRIPTION | SKETCH | QTY |
| A | Seat Frame with Cushion |  | 1pc |
| B | Leg |  | 4pcs |
| WEIGHT CAPACITY | | 300 lbs | |

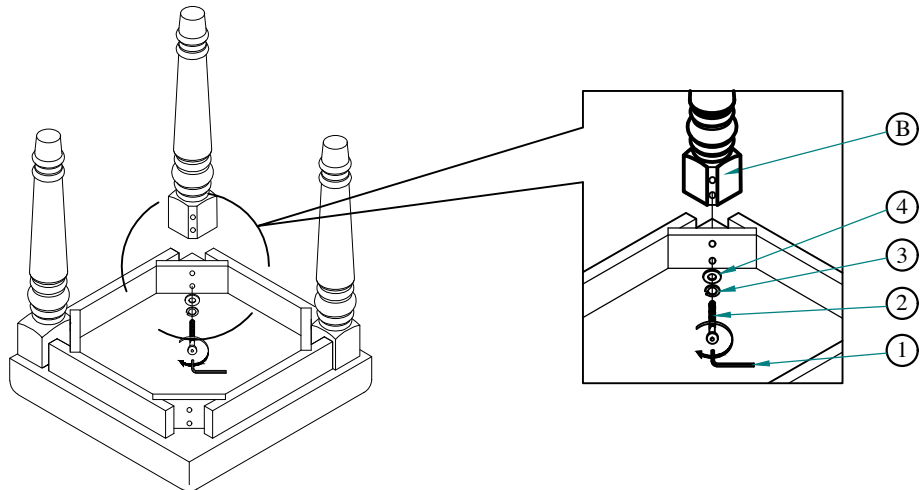
| HARDWARE LIST | | | |
|---------------|--------------------|---|------|
| NO | DESCRIPTION | SKETCH | QTY |
| 1 | Allen Key - M4 |  | 1pc |
| 2 | Bolt - M6 x 2-3/8" |  | 8pcs |
| 3 | Spring Washer - M6 |  | 8pcs |
| 4 | Flat Washer - 1/4" |  | 8pcs |

PLACE WOOD PARTS ON A
CLEAN NON-ABRASIVE SURFACE

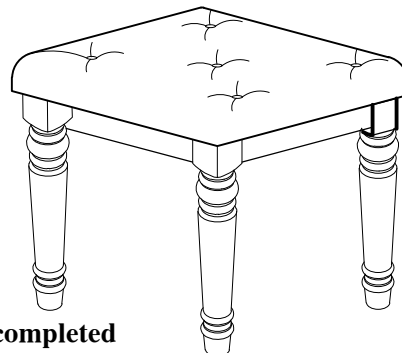
Step 1: Place the Seat Frame with Cushion (A) upside down on a flat and clean surface.

Assemble the Leg (B) to the Seat Frame with Cushion (A) by using Allen Key (1) and the hardware Bolt (2), Spring Washer (3), and Flat Washer (4).

****Attention: DO NOT TIGHTEN THE BOLTS.**



Step 2: To level the stool, stand the stool up on a flat surface and tighten all the bolts by using the Allen Key (1).



Assembly completed

