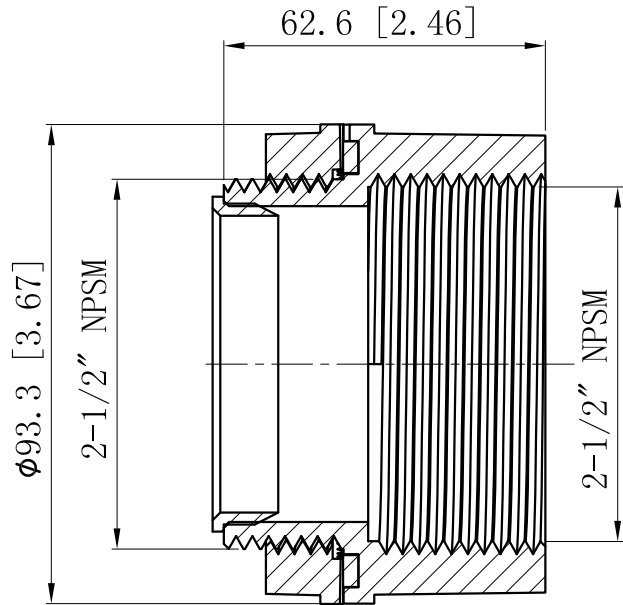
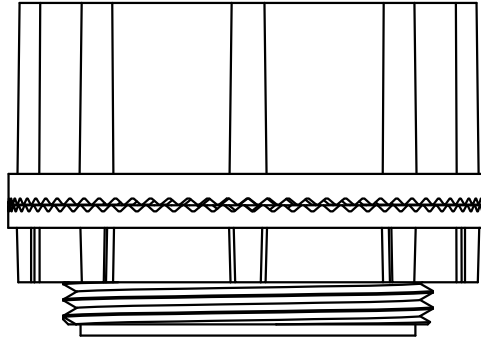
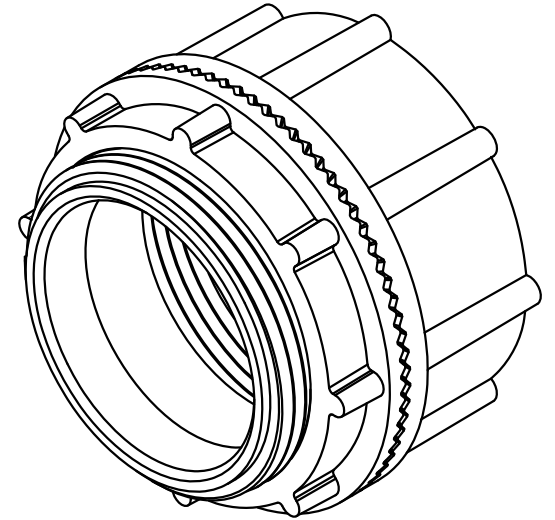
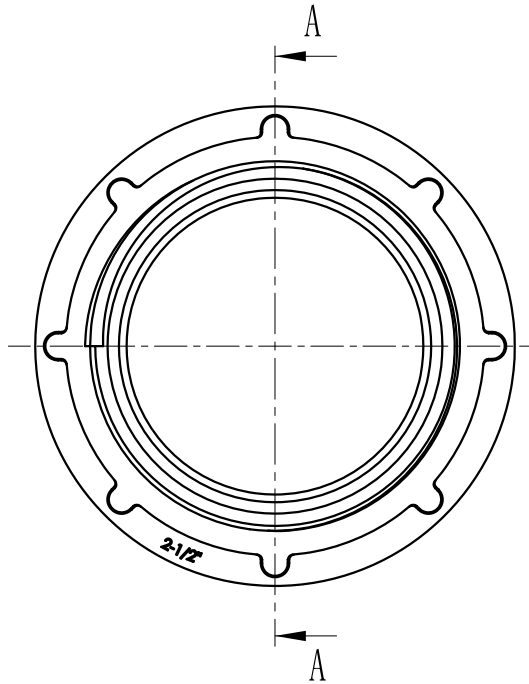


SIDES	BOTTOM
Material: 316 Stainless steel	



CUTAWAY VIEW A-A



DESCRIPTION
TRADE REFERENCE TERMS

This data sheet is for reference only .GARVIN INDUSTRIES reserves the right to make changes to the design without prior notice.

STANDARD PACKING	<h1 style="margin: 0;">GARVIN INDUSTRIES</h1> <h2 style="margin: 0;">WATERTIGHT HUB (INSULATED THROAT)</h2>		
5 PCS			
SIZE	DWG NO.	REV	
A4	WH250-SS		
DATA SHEET			