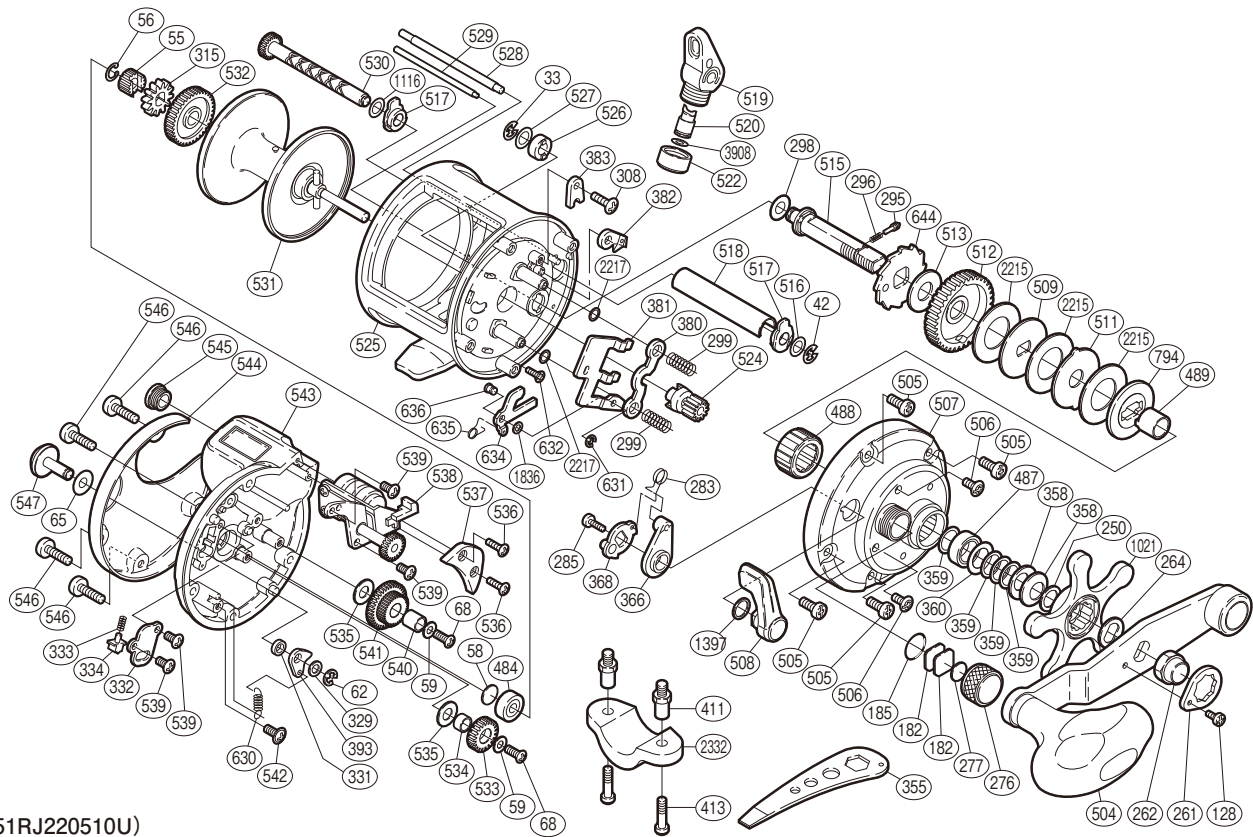


SHIMANO

TEKOTA

TEK-500LC



(51RJ220510U)

#	Part No.	Description	#	Part No.	Description	#	Part No.	Description
33	105NG	Drive Shaft Retainer	380	10483	Yoke	535	10G4P	Spacer A
42	105NE	Worm Shaft Retainer	381	1045H	Yoke Plate	536	103BY	Left Side Plate Seal Screw
55	10J7E	Idle Gear A	382	10MW8	Anti-reverse Pawl	537	10NRL	Left Side Plate Seal
56	105SA	Idle Gear A Retainer	383	10KSK	Anti-reverse Pawl Keeper	538	10B4V	Counter Assembly
58	10GEU	Spacer B	393	10GQS	Click Pawl	539	10QG5	Multi-purpose Screw
59	104H5	Lock Washer	484	10KAD	Ball Bearing	540	10NXM	Idle Gear D Support
62	105NK	Click Pawl Retainer	487	10582	Ball Bearing	541	10NXX	Idle Gear D
65	104H2	Spacer (A)	488	10F5D	Roller Clutch Bearing	542	10K8T	Click Pawl Spring Screw
68	103GS	Idle Gear Screw	489	10BQ6	Roller Clutch Inner Tube	543	10LEL	Left Side Plate
128	10QG0	Handle Nut Plate Screw	504	10B1R	Handle Assembly	544	10NV3	Left Side Plate Cover
182	105N0	Cast Control Spacer (A)	505	10LZ5	Right Side Plate Screw (A)	545	10NXP	Maintenance Cap
185	109EB	O Ring	506	10LF9	Right Side Plate Screw (B)	546	10L9T	Left Side Plate Screw
250	10BR1	Star Drag Washer	507	10HK6	Right Side Plate	547	1050J	Click Button
261	10QL8	Handle Nut Plate	508	10U11	Clutch Lever	630	10NRQ	Click Pawl Spring
262	10FT1	Handle Nut	509	10D4K	Key Washer (B)	631	105NC	Clutch Pawl Retainer
264	107QQ	Drive Shaft Shield	511	10D48	Eared Washer (A)	632	103L2	Yoke Plate Screw
276	10KTA	Cast Control Cap	512	109DH	Drive Gear	634	10P93	Clutch Pawl
277	10896	Cast Control Spacer (B)	513	109BN	Drag Washer (A)	635	10QCR	Clutch Pawl Spring
283	10JYU	Clutch Spring	515	10994	Drive Shaft	636	10PNL	Clutch Pawl Pin
285	10F8M	Clutch Lever Screw	516	10HV6	Worm Shaft Spacer	644	10HMJ	Anti-reverse Ratchet
295	109ZZ	Click Pin	517	10HT3	Worm Bushing	794	109F1	Key Washer (A)
296	10HZ5	Click Spring	518	10HVX	Level Wind Guard	1021	10HMu	Star Drag
298	10588	Drive Shaft Washer (B)	519	10KCF	Line Guide	1116	10D69	Worm Shaft Spacer
299	104BY	Yoke Spring	520	10FFZ	Line Guide Pawl	1397	10AG2	Smoother
308	10LSK	Anti-reverse Pawl Screw	522	10FJP	Pawl Cap	1836	105A2	Washer
315	104F1	Click Gear	524	10AHE	Pinion Gear	3908	10TZF	Spacer
329	109RC	Spacer (B)	525	10LL9	One-piece Frame	2215	10D2S	Drag Washer
331	10CFT	Click Pawl Spacer	526	10BPW	Drive Shaft Bushing	2217	10KF6	Washer
332	104B6	Click Spring Retainer	527	10D66	Drive Shaft Washer (A)			
333	104MT	Click Spring	528	10HX7	Stabilizer Bar A	411	1046R	Rod Clamp Nut (accessory)
334	104B8	Click Spring Holder	529	10BK5	Stabilizer Bar B	413	10A7C	Rod Clamp Bolt (accessory)
358	10EW3	Drag Spring Washer (8l)	530	10KC4	Worm Shaft	2332	10EUN	Rod Clamp (accessory)
359	105PW	Bearing Thrust Washer	531	10NPF	Spool Assembly			
360	109RF	Bearing Seal	532	10AQQ	Counter Gear A	355	10MJ2	Wrench (accessory)
366	10L2B	Eccentric Cam Bushing	533	10NXF	Idle Gear B			
368	1084G	Clutch Cam	534	10NXJ	Idle Gear B Support			

Please note that the number of adjusting washers may not be the same as shown in the exploded views. (Adjustment will vary with each individual product.)

(240625)_005