

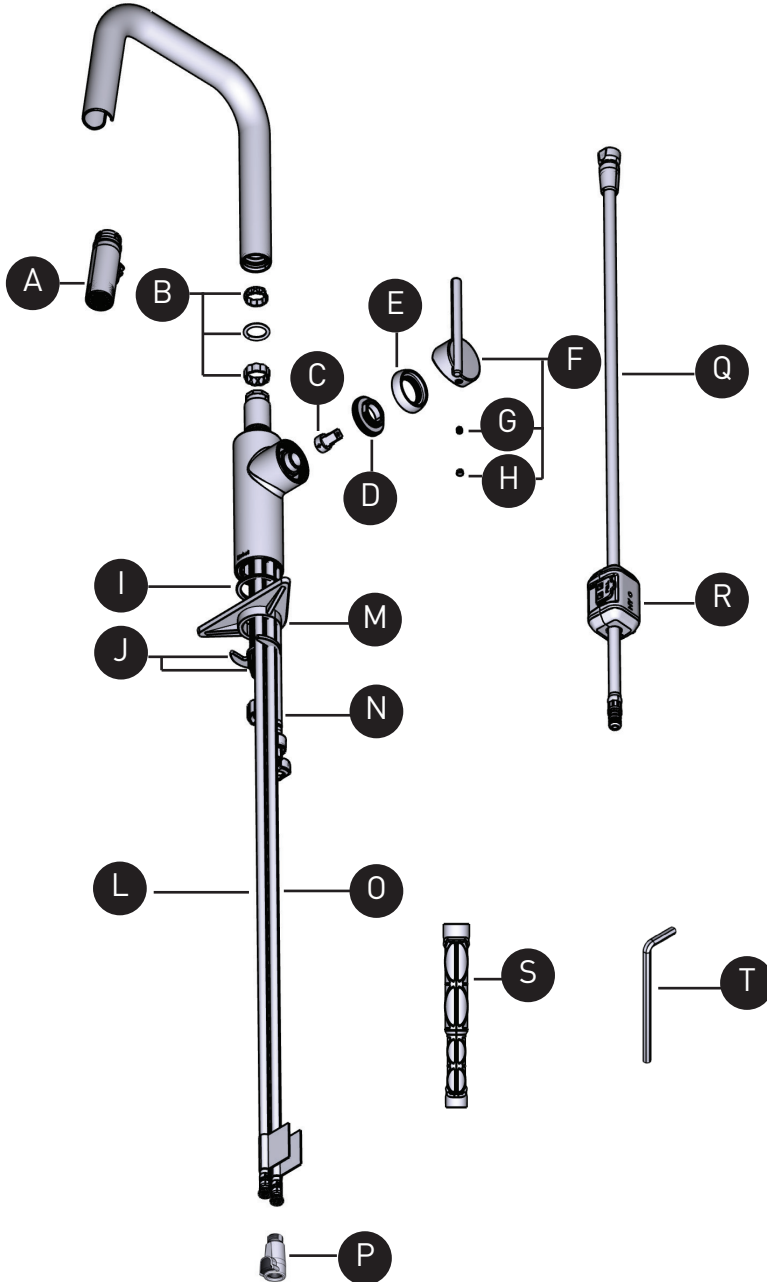
ORDER BY PART NUMBER

## ILLUSTRATED PARTS

### LTSQ201

#### LATERAL

Kitchen faucet with spray



ID	Kit Number	Finish
A	4-381	N/A
B	7-489	N/A
C	401-039	N/A
D	305-093	N/A
*E	052-008	See below
*F	210090	See below
G	152-050	N/A
*H	003-030	See below
I	302-343	N/A
J	7-462	N/A
K	143096	N/A
L	7-108	N/A
M	390-085	N/A
N	7-128	N/A
O	7-108	N/A
P	7-443	N/A
Q	7-200	N/A
R	211160	N/A
S	500-009	N/A
T	505-025	N/A

*Finish Determined by Suffix	
Finish	Description
C	Chrome
SS	Stainless Steel
BK	Black
BG	Brushed Gold (PVD)

For warranty or additional information, contact:

US Customers

U.S.A.  
houseofrohl.com/support  
1-800-777-9762

Canadian Customers

QUEBEC / MARITIMES / WESTERN CANADA  
QUÉBEC / MARITIMES / OUEST CANADIEN  
QUEBEC / MARITIMOS / CANADA OCCIDENTAL  
houseofrohl.ca/support  
1-866-473-8442

ONTARIO  
houseofrohl.ca/support  
1-800-287-5354

Riobel

PERRIN & ROWE  
LONDON



victoria ⊕ albert®

ROHL

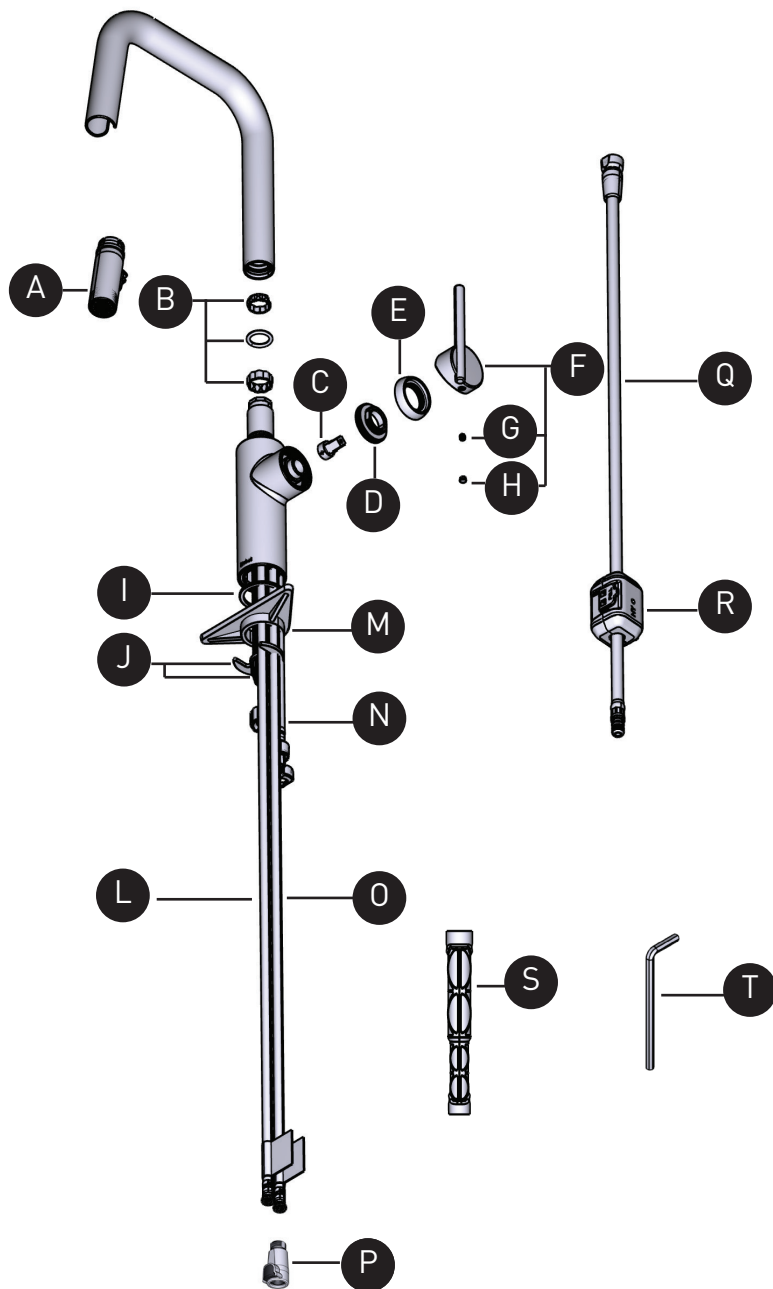
VEUILLEZ EFFECTUER VOTRE COMMANDE  
PAR NO DE RÉFÉRENCE

## ILLUSTRATIONS DES PIÈCES

### LTSQ201

#### LATERAL

Robinet de cuisine avec douchette



ID	Référence du kit	Finition
A	4-381	N/A
B	7-489	N/A
C	401-039	N/A
D	305-093	N/A
*E	052-008	Voir ci-dessous
*F	210090	Voir ci-dessous
G	152-050	N/A
*H	003-030	Voir ci-dessous
I	302-343	N/A
J	7-462	N/A
K	143096	N/A
L	7-108	N/A
M	390-085	N/A
N	7-128	N/A
O	7-108	N/A
P	7-443	N/A
Q	7-200	N/A
R	211160	N/A
S	500-009	N/A
T	505-025	N/A

**\*Finition déterminée par le Suffixe**

Finition	Description
C	Chrome poli
SS	Acier inoxydable
BK	Noir
BG	Or brossé (PVS)

For warranty or additional information, contact:

US Customers

U.S.A.  
houseofrohl.com/support  
1-800-777-9762

Canadian Customers

QUEBEC / MARITIMES / WESTERN CANADA  
QUÉBEC / MARITIMES / OUEST CANADIEN  
QUEBEC / MARITIMOS / CANADA OCCIDENTAL  
houseofrohl.ca/support  
1-866-473-8442

ONTARIO  
houseofrohl.ca/support  
1-800-287-5354

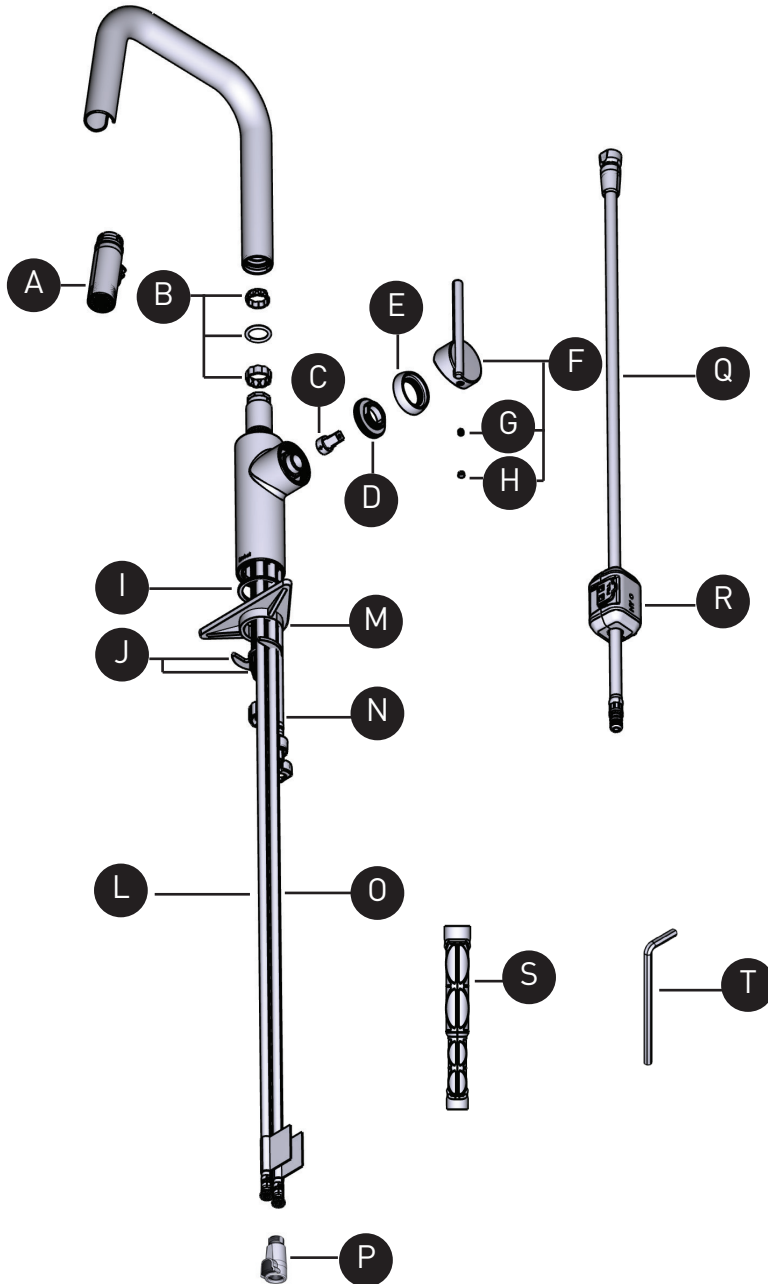
PEDIR POR NÚMERO DE REFERENCIA

## PIEZAS ILUSTRADAS

### LTSQ201

### LATERAL

Llave de cocina con rociador



ID	Referencia del kit	Acabado
A	4-381	N/A
B	7-489	N/A
C	401-039	N/A
D	305-093	N/A
*E	052-008	Ver más abajo
*F	210090	Ver más abajo
G	152-050	N/A
*H	003-030	Ver más abajo
I	302-343	N/A
J	7-462	N/A
K	143096	N/A
L	7-108	N/A
M	390-085	N/A
N	7-128	N/A
O	7-108	N/A
P	7-443	N/A
Q	7-200	N/A
R	211160	N/A
S	500-009	N/A
T	505-025	N/A

**\*Acabado determinado por el sufijo**

Acabado	Descripción
C	Cromo
SS	Acero inoxidable
BK	Negro
BG	Oro cepillado (PVD)

For warranty or additional information, contact:

US Customers

U.S.A.  
houseofrohl.com/support  
1-800-777-9762

Canadian Customers

QUEBEC / MARITIMES / WESTERN CANADA  
QUÉBEC / MARITIMES / QUÉBEC CANADIEN  
QUEBEC / MARITIMOS / CANADA OCCIDENTAL  
houseofrohl.ca/support  
1-866-473-8442

ONTARIO  
houseofrohl.ca/support  
1-800-287-5354

Riobel

PERRIN & ROWE  
LONDON



victoria ⊕ albert®

ROHL