

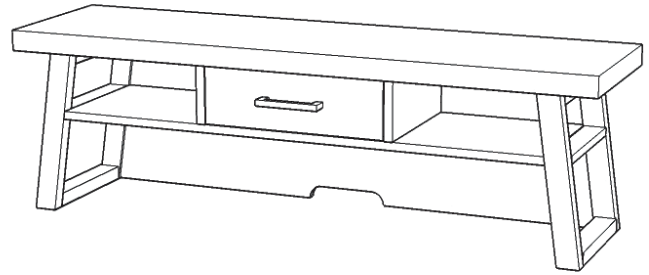
Hutch

IMPORTANT

Carefully remove all the parts from the carton and place them individually on a soft cloth to prevent scratches or other damage.

Carefully and strictly follow these assembly instructions to ensure a completed product as designed.

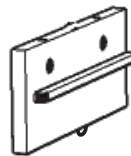
Do not use power tools above 8 volts to assemble.



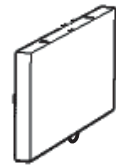
Part List



A.
Top
1 pc.



B.
Divider
1 pc.



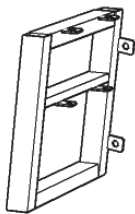
C.
Divider
1 pc.



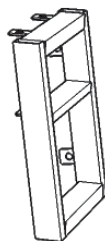
D.
Shelf
1 pc.



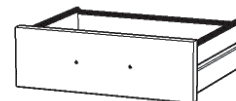
E.
Back Panel
1 pc.



F.
Side Frame
1 pc.



G.
Side Frame
1 pc.



H.
Drawer Refer to later page(s) of these instructions for drawer assembly.

Hardware List



Hex Wrench
1 pc.



M6x16
Head Cap Bolt
12 pcs. (+1 extra)



Spring Washer
12 pcs. (+1 extra)



Flat Washer
12 pcs. (+1 extra)



M4x32
Machine Screw
2 pcs.



Small Hex Wrench
1 pc.



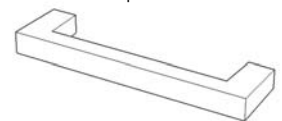
Cam Lock Screw
4 pcs. (+1 extra)



Cam Lock
4 pcs. (+2 extra)



M3x25
Flat Head Screw
12 pcs. (+1 extra)



Handle
1 pc.

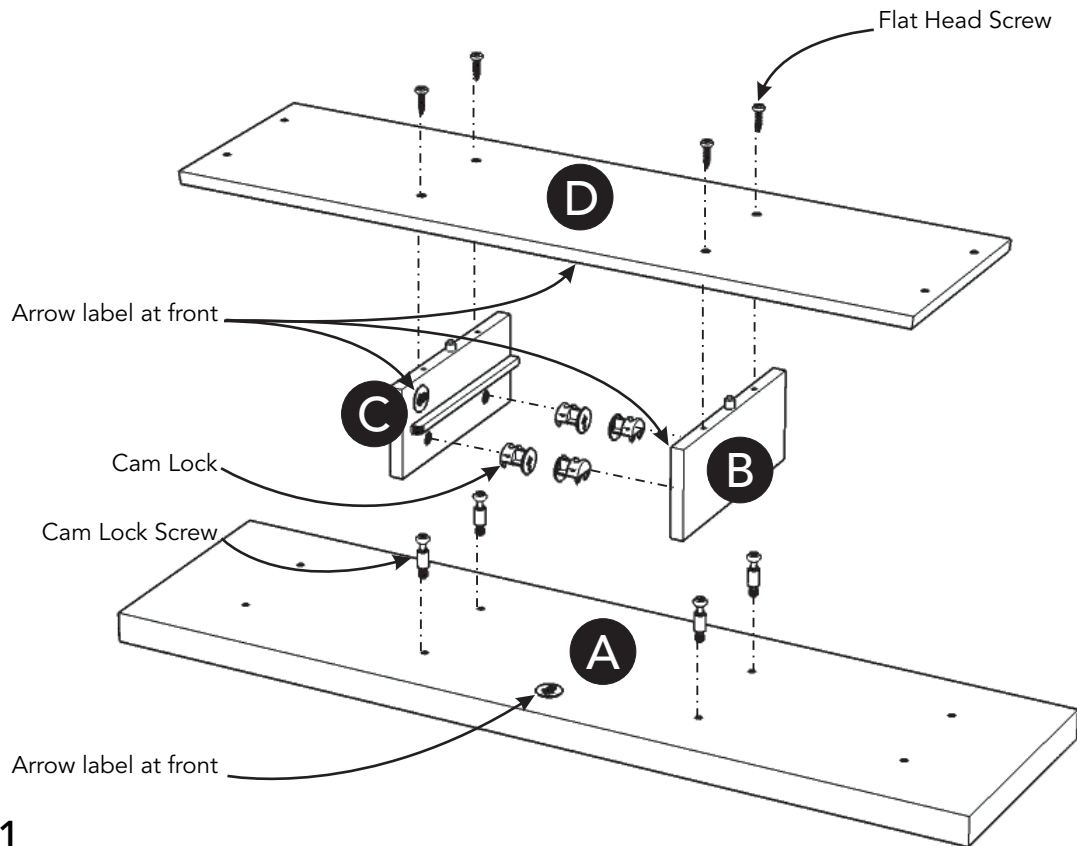
Tool(s) required for assembly: Phillips screwdriver

Home Styles Customer Service: www.homestyles-furniture.com,
servicedesk@homestyles-furniture.com, 888-680-7460, 877-831-0319

Assembly Instructions 2/5

IMPORTANT

- Use a soft cloth between these parts and the floor.
- Do not use power tools above 8 volts to assemble.
- The unit must be level to work properly. Use the included adjustable levelers to level.
- Keep Hex Wrench as the bolts may need to be tightened in the future.



STEP 1

Place Top (A) upside down on a soft cloth.

Insert Cam Lock Screws into pre-drilled holes in Top (A), then tighten.
(See Figure 1)

Orientate Dividers (B) and (C) with Arrow labels pointing in same direction as Arrow label on Top (A), then attach Dividers (B) and (C) to Top (A) with Cam Locks.
(See Figure 2)

Orientate Shelf (D) with Arrow label pointing in same direction as Arrow label on Top (A), then attach Shelf (D) to unit with Flat Head Screws.
(See Figure 3)

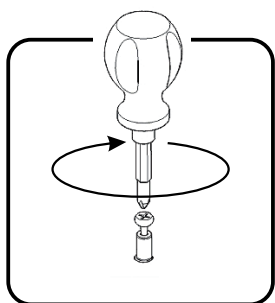


Figure 1

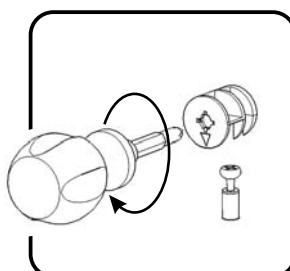


Figure 2

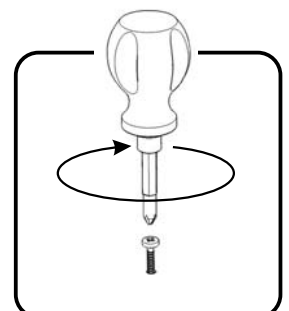
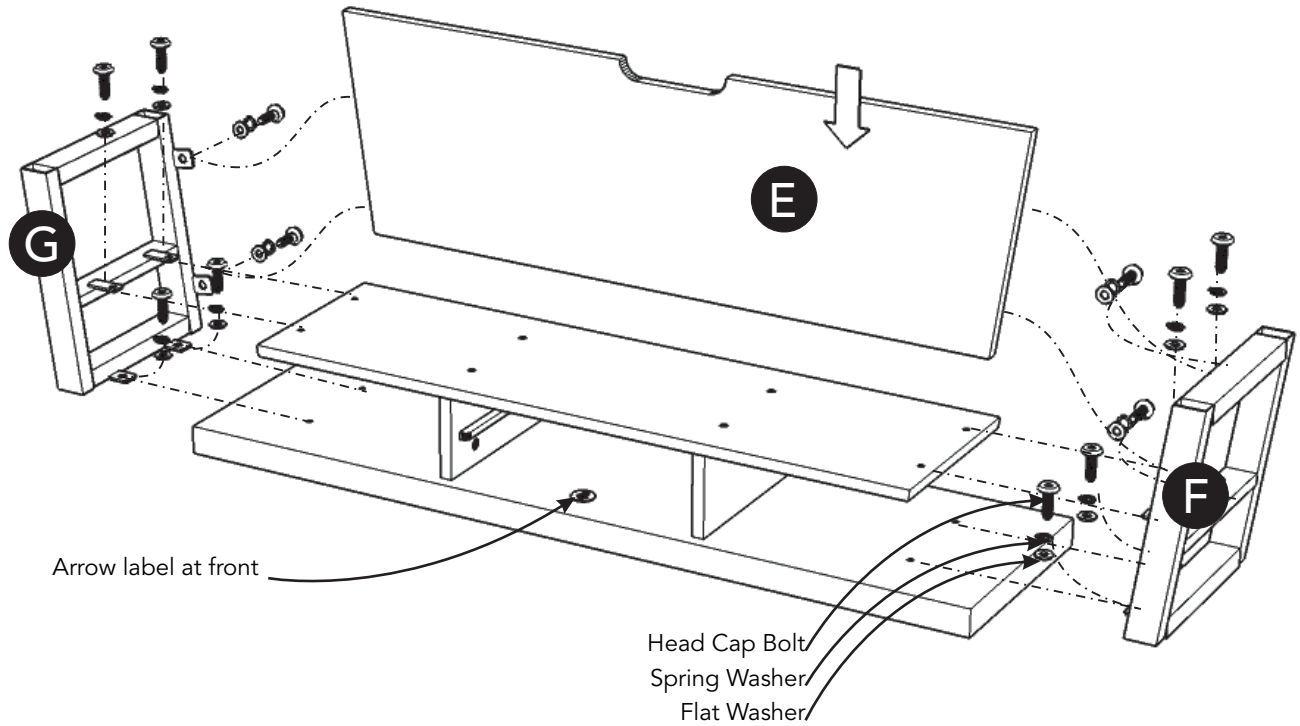


Figure 3



STEP 2

Attach Side Frame (F) to unit with Head Cap Bolts, Spring Washers and Flat Washers, tightening bolts only halfway. (See Figure 4)

Attach Back Panel (E) and Side Frame (G) to unit with Head Cap Bolts, Spring Washers and Flat Washers, tightening bolts only halfway. (See Figure 5)

Tighten all bolts.

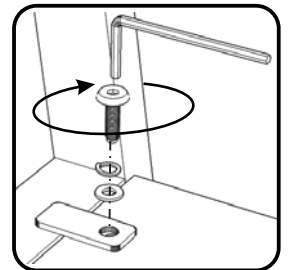


Figure 4

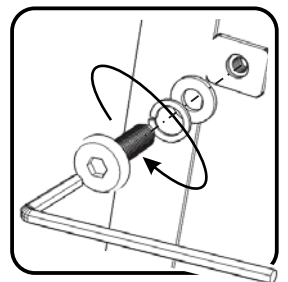
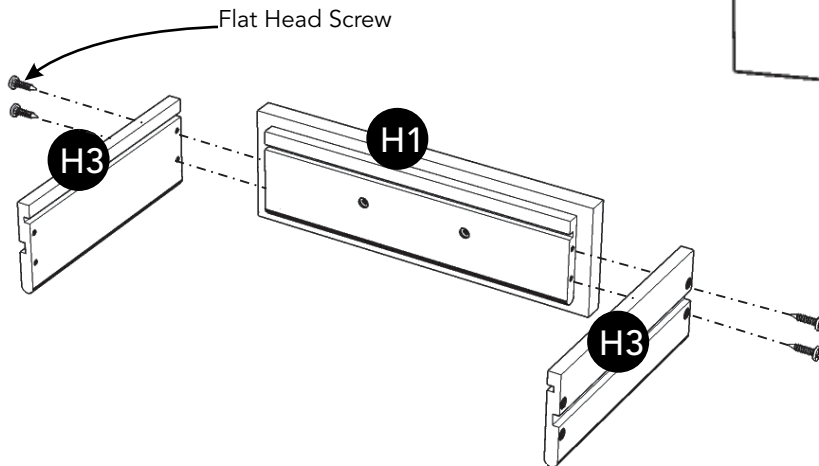


Figure 5

Assembly Instructions 4/5

Drawer (H)



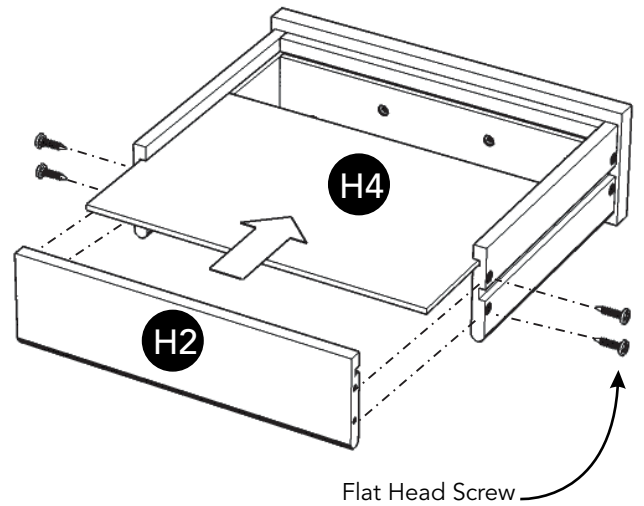
STEP 3

Attach Drawer Sides (H3) to Drawer Front (H1) with Flat Head Screws.

STEP 4

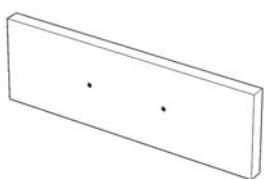
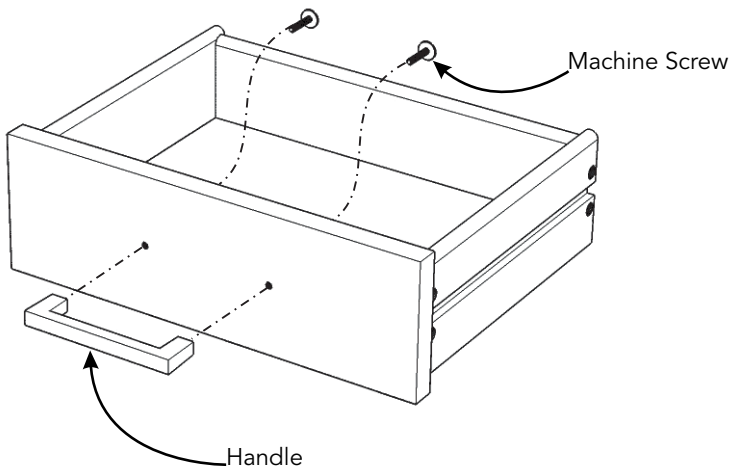
Slide Drawer Bottom (H4) into groove.

Attach Drawer Back (H2) to unit with Flat Head Screws.



STEP 5

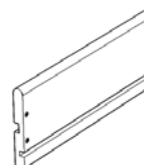
Attach Handle with Machine Screws.



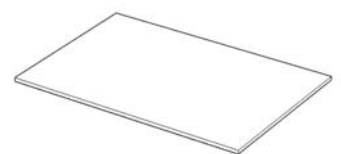
H1.
Drawer Front
1 pc.



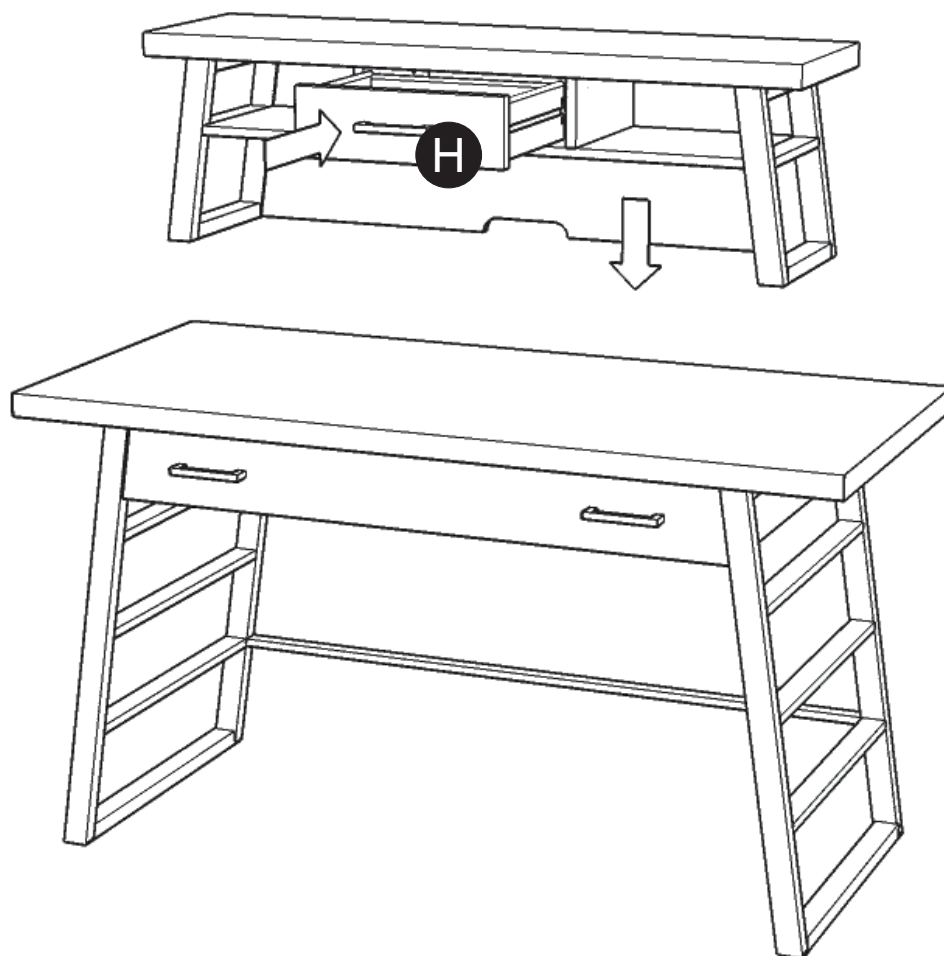
H2.
Drawer Back
1 pc.



H3.
Drawer Side
2 pcs.



H4.
Drawer Bottom
1 pc.



STEP 6

Turn unit from Step 2 over to its' upright position.

Slide Drawer (H) into position.

Place Hutch onto Desk.

CARE INSTRUCTIONS

NEVER

allow liquids to remain on furniture.
Absorption causes parts to warp
and split and finishes to delaminate.

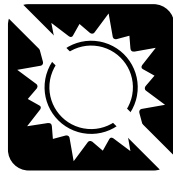
NEVER

use glass cleaners on
finished furniture. Ammonia
chemically attacks the finish.



Do not use power tools
above 8 volts to assemble.

**PREVENT
CRACKING**



Do not place
in direct sunlight.

**PREVENT
FADING**



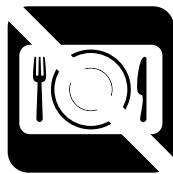
Do not write
directly on surface.

**PREVENT
MARKING**



Do not place hot
objects on surface.

**PREVENT
FINISH DAMAGE**



Do not use rubber
based placemats.

**PREVENT
DISCOLORING**



Do not use commercial
waxes and polishes.

**PREVENT
YELLOWING**

CLEAN

with a soft cloth moistened
in lukewarm soap and water.
Buff with a dry clean cloth.



Home Styles will provide replacements free of charge for missing or damaged hardware or parts within 30 days of purchase. Digital images of the defective parts may be required. If the product was not purchased from an authorized retail affiliate, Home Styles is under no obligation to provide replacement parts. Parts are not available for fully assembled items nor are parts available for sale. Replacements for missing or damaged hardware or parts may be requested at:

www.homestyles-furniture.com/customer-service/replacement-parts

Home Styles Customer Service: www.homestyles-furniture.com,
servicedesk@homestyles-furniture.com, 888-680-7460, 877-831-0319