

Installation Instructions

Steam Generator

Record your model number:
Noter le numéro de modèle:
Anoté su número de modelo: _____

Français, page 21
Español, página 41

KOHLER®

Thank You for Choosing KOHLER

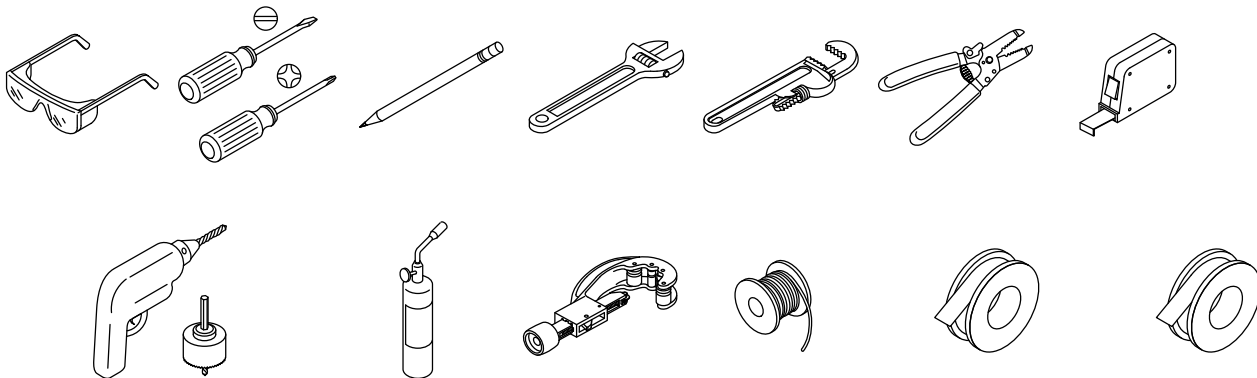
Need help? Contact our Customer Care Center.

- USA/Canada: 1-800-4KOHLER (1-800-456-4537) Mexico: 001-800-456-4537
Hours of Operation: Monday-Friday 8:00 AM -5:00 PM (CT)
Languages Spoken: English, Spanish, and translation services are available.
- Service parts: kohler.com/serviceparts
- Care and cleaning: kohler.com/clean
- Patents: kohlercompany.com/patents

Warranty

This product is covered under the KOHLER® Steam Generator Three-Year Limited Warranty, found at kohler.com/warranty. For a hardcopy of warranty terms, contact the Customer Care Center.

Required Tools and Materials



1-1/4" and 2-1/2" Hole Saw Propane Torch Tube Cutter Solder Thread Sealant Tape Electrical Tape











Additional Required Tools and Materials:

- Drain/spill pan
- 1/2" copper tubing
- Assorted copper fittings
- Conventional woodworking tools and materials
- 45° and 90° elbows
- Support Blocks (heat resistant)
- Wire Nuts (Qty 3)

IMPORTANT SAFETY INSTRUCTIONS

READ AND FOLLOW ALL INSTRUCTIONS.

When installing and using this electrical equipment, basic safety precautions should always be followed, including the following:

-  **WARNING: Risk of explosion.** For dual steam generator installations, do not interconnect steam outlets. A separate steam line must be provided for each steam outlet.
-  **WARNING: Risk of electrocution.** Disconnect all power before performing these installation steps.
-  **WARNING: Risk of personal injury.**
 - **The wet surfaces of steam enclosures may be slippery.** Use care when entering or leaving.
 - **The steam head is hot.** Do not touch the steam head and avoid the steam near the steam head.
 - **Prolonged use of the steam system can excessively raise the internal human body temperature and impair the body's ability to regulate its internal temperature (hyperthermia).** Limit your use of steam to 10 - 15 minutes until you are certain of your body's reaction.
 - **Excessive temperatures have a high potential for causing fetal damage during the early months of pregnancy.** Pregnant or possibly pregnant women should consult a physician regarding the correct exposure.
 - **Obese persons and persons with a history of heart disease, low or high blood pressure, circulatory system problems, or diabetes should consult a physician before using a steambath.**
 - **Persons using medication should consult a physician before using a steambath since some medications may induce drowsiness while other medications may affect heart rate, blood pressure, and circulation.**
-  **WARNING: The use of alcohol, drugs, or medication can greatly increase the risk of fatal hyperthermia.** Prolonged immersion in hot water may induce hyperthermia. Hyperthermia occurs when the internal temperature of the body reaches a level several degrees above the normal body temperature of 98.6°F (37°C). The symptoms of hyperthermia include an increase in the internal temperature of the body, dizziness, lethargy, drowsiness, and fainting. The effects of hyperthermia include: (a) failure to perceive heat, (b) failure to recognize the need to exit the bath, (c) unawareness of impending hazard, (d) fetal damage in pregnant women, (e) physical inability to exit the bath, and (f) unconsciousness resulting in the danger of drowning.
-  **WARNING: Risk of personal injury.** If you become uncomfortable while taking a steambath, you should turn OFF the unit. Cool off with the shower, open the door, or exit the unit.
-  **WARNING: Risk of allergic reaction.** Before adding any oils, aromatic therapies, or skin care products to the aromatherapy well, verify that they will not cause an allergic reaction to the user.
-  **CAUTION: Risk of injury.** To reduce the risk of injury, do not permit children to use this product unless they are closely supervised at all times.
-  **CAUTION: Risk of personal injury.** Do not plumb a trapway in the steam line or plumb the pressure relief valve into the steam line. Plumbing the pressure relief valve into the steam line can be hazardous if the steam outlet is capped.
-  **CAUTION: Risk of personal injury or property damage.** Avoid coming in contact with the water tank and/or steam discharge line while the steam generator is operating or shortly after shutdown. Wear eye protection and protective clothing when servicing the steam generator. The steam generator operates at high temperatures.
-  **CAUTION: Do not use for space heating purposes.**

IMPORTANT! Recommended feedwater quality should be: Hardness - less than 60 ppm (3.5 gpg); Total Alkalinity - greater than 150 ppm (8.8 gpg). Calcium scale buildup from hard water can prevent proper operation of the steam generator and may cause premature failure. To verify proper operation, the feedwater supply should be tested before

operating the steam generator. If feedwater quality is not within the specified limit, contact a reputable water treatment company for treatment options.

IMPORTANT! Maximum inlet water pressure is not to exceed 70 psi (483 kPa).

NOTICE: Use this unit only for its intended use as specified in this manual. DO NOT use attachments that are not recommended by Kohler Co.

NOTICE: Do not apply excessive heat to the steam generator connections when you solder connections. Do not apply flux or acids directly to the steam generator, as damage to the seals, plastic components, and trim finish may result. Do not apply petroleum-based lubricants to the steam generator components, as damage may result.

Before You Begin

IMPORTANT! The minimum required size for the service access panel is 24" (610 mm) L x 15" (381 mm) H.

IMPORTANT! All electrical work should be done by a qualified electrician.

NOTE: The instructions in this installation guide cover both single and dual steam generator installations.

Inspect the product for any shipping damage. Do not install the unit if there is damage. Contact Kohler Co. Customer Care Center using the information on the back of this guide.

Connect the steam generator to water supply lines that meet all applicable plumbing codes.

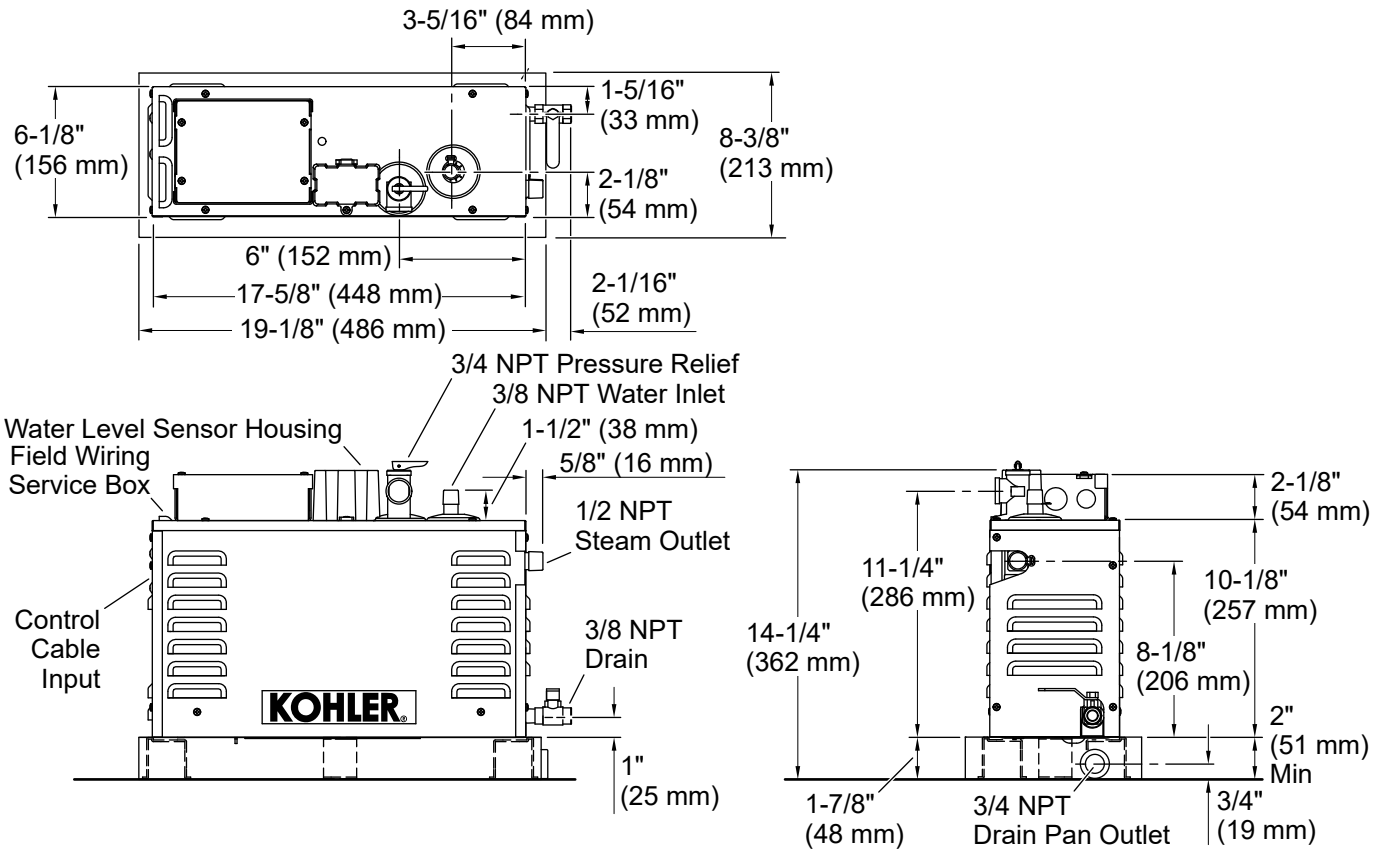
For custom installations, locate the steam head 6" (152 mm) from the floor and 4-1/2" (114 mm) from the inside of the threshold.

Follow all local plumbing, building, and electrical codes.

READ AND FOLLOW ALL INSTRUCTIONS

SAVE THESE INSTRUCTIONS

Roughing-In



⚠ WARNING: Risk of property damage. There must be a minimum of 6" (152 mm) of air space surrounding the steam generator at all times. This provides an area for the heat generated by the unit to dissipate.

IMPORTANT! The minimum required size for the service access panel is 24" (610 mm) L x 15" (381 mm) H.

NOTICE: For optimum performance, install the steam generator as close as possible to the steam head. The steam generator must be installed within 25' (7.62 m) of the steam head.

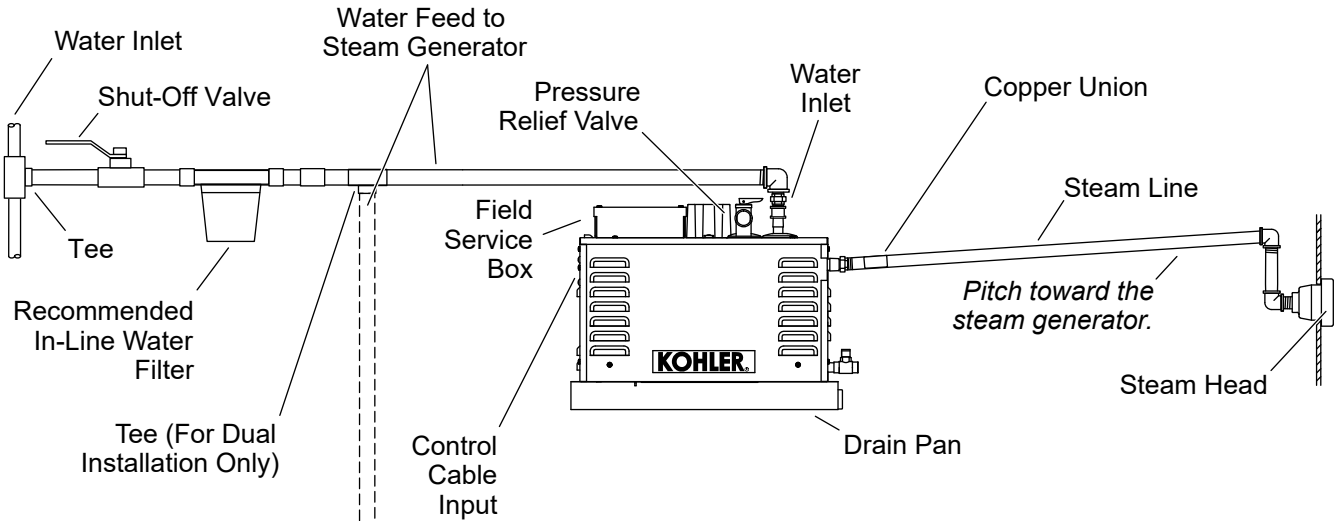
NOTE: Use the dimensions in the diagram above for reference when determining the placement and clearance for the steam generator.

NOTE: Unions are supplied for the steam outlet and water inlet for connection to a 1/2" copper pipe.

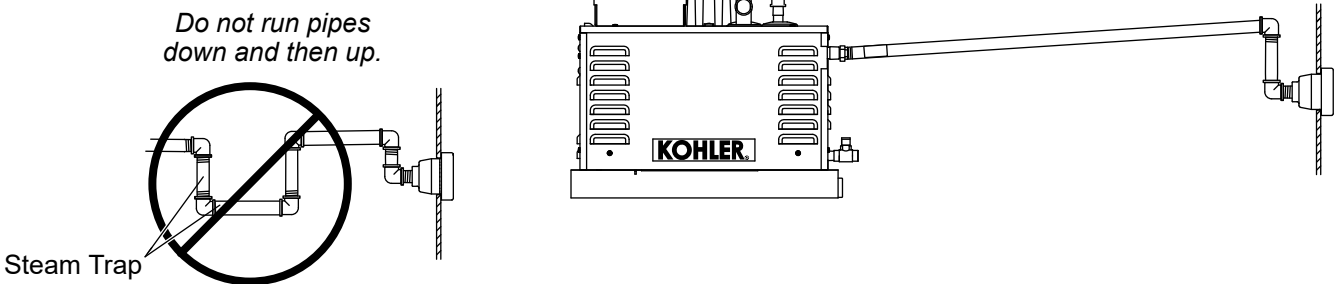
Allow for a drain or spill pan. KOHLER® drain pan shown (sold separately).

1. Determine the System Layout

Single Installation



Dual Installation



⚠ WARNING: Risk of property damage. There must be a minimum of 6" (152 mm) of air space surrounding the steam generator at all times. This provides an area for the heat generated by the unit to dissipate.

⚠ WARNING: Risk of explosion. For dual steam generator installations, do not interconnect steam outlets. A separate steam line must be provided for each steam outlet.

IMPORTANT! The minimum required size for the service access panel is 24" (610 mm) L x 15" (381 mm) H.

IMPORTANT! This steam generator must only be installed in the upright position as shown. The pressure relief valve location must be on top.

IMPORTANT! If this steam generator will be installed in a location that is 6000' (1829 m) above sea level, the fast response heater must be disabled. Refer to "Enabling/Disabling the Fast Response Heater" section.

NOTICE: For optimum performance, install the steam generator as close as possible to the steam head. The steam generator must be installed within 25' (7.62 m) of the steam head.

NOTICE: Large drops in the steam line can increase condensation and reduce the amount of steam produced. For optimum performance, do not install the steam generator above the level of the steam head.

NOTICE: The PowerClean function of the generator flushes through the steam head. An additional drain line is not required for this feature. The drain valve on the unit is to aid in emptying the unit before service. Plumbing is optional.

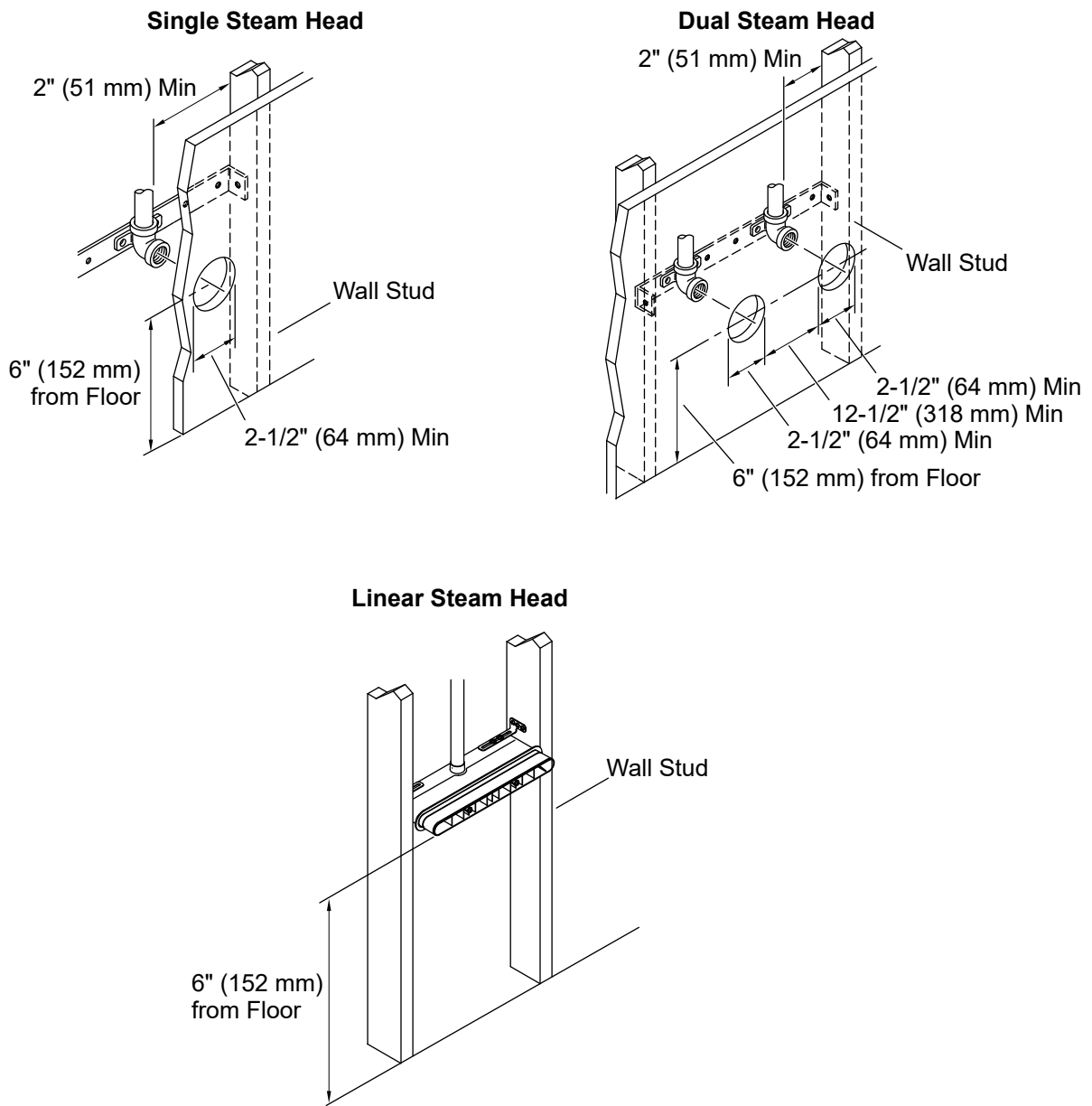
NOTE: For optimum performance, use 45° elbows in the steam line when possible. The use of 90° elbows may result in an increase of condensation in the steam shower.

- Determine the location of the steam generator. There must be a minimum of 6" (152 mm) of air space surrounding the steam generator at all times. This provides an area for the heat generated by the unit to dissipate.
- Allow for a drain pan. Choose a drain pan appropriate for your installation (KOHLER drain pan is sold separately).
- Determine the location of the water supplies and steam lines. Verify the clearance between the steam line and any surrounding surfaces.
- Install this steam generator in a heated space to prevent freezing.
- Verify that the steam generator is installed level.
- Allow for access to the steam generator after installation.
- Select the steam generator size based upon the steam room volumes identified below.

NOTE: For every additional foot of ceiling height above 8' (2.4 m), choose the next largest steam generator.

| Steam Generator | Steam Room Volume - ft³ (m³) |
|------------------------|---|
| 5 kW | 84 ft ³ (2.4 m ³) |
| 7 kW | 112 ft ³ (3.2 m ³) |
| 9 kW | 240 ft ³ (6.8 m ³) |
| 11 kW | 317 ft ³ (9.0 m ³) |
| 18 kW | 550 ft ³ (15.6 m ³) |
| 22 kW | 634 ft ³ (18.0 m ³) |

2. Determine the Location of the Steam Heads



⚠ WARNING: Risk of personal injury. Do not install the steam control user interface outside the steam enclosure. The user interface must be installed within the enclosure to allow the sensors to regulate the temperature and control the flow of steam.

⚠ WARNING: : Risk of scalding. Do not block the steam head or locate the steam head near a seat or bench, as the steam head is hot during operation and may scald the user if touched.

IMPORTANT! Do not install the control directly above or in-line with the steam head.

NOTICE: When installing the control kit, allow room in the control cable for a drip loop. The drip loop will discourage moisture from following the control cable to the steam generator.


NOTE: All dimensions should be taken from the inside of the shower. Refer to the Steam Control Kit Installation Guide for more dimensional and installation information.

- Dual steam heads can be installed on opposite walls to improve steam distribution.
- Determine the steam head location. Locate the steam head(s) 6" (152 mm) above the shower floor and a minimum of 4-1/2" (114 mm) away from the enclosure door threshold. The steam head location should be within 25' (7.62 m) of the steam generator.
- For single steam head installations, determine the steam control user interface location on the wall opposite the steam head.
- For dual steam head installations, determine the steam control user interface location on a different wall than the steam heads. Locate the user interface as far from the steam heads as practical.
- Locate the steam control user interface 60" (1524 mm) above the floor of the shower.
- Verify that there is adequate clearance between the steam lines and any surrounding surfaces.

3. Install the Electrical Supply

| Model | K-32324-NA | K-32325-NA | K-32326-NA | K-32327-NA | K-32332-NA | K-32333-NA |
|------------------------------------|-----------------------|-----------------------|-----------------------|-----------------------|-----------------------------------|------------------------------------|
| Generator Size | 5 kW | 7 kW | 9 kW | 11 kW | 18 kW (Two 9 kW Steam Generators) | 22 kW (Two 11 kW Steam Generators) |
| Required Electrical Service | | | | | | |
| Generator Dedicated Circuit #1 | 240 V, 40 A, 50/60 Hz | 240 V, 50 A, 50/60 Hz | 240 V, 60 A, 50/60 Hz | 240 V, 60 A, 50/60 Hz | 240 V, 60 A, 50/60 Hz | 240 V, 60 A, 50/60 Hz |
| Generator Dedicated Circuit #2 | n/a | n/a | n/a | n/a | 240 V, 60 A, 50/60 Hz | 240 V, 60 A, 50/60 Hz |
| Product Electrical Rating | 240 V, 27 A, 60 Hz | 240 V, 36 A, 60 Hz | 240 V, 45 A, 60 Hz | 240 V, 46 A, 60 Hz | *240 V, 45 A, 60 Hz | *240 V, 46 A, 60 Hz |

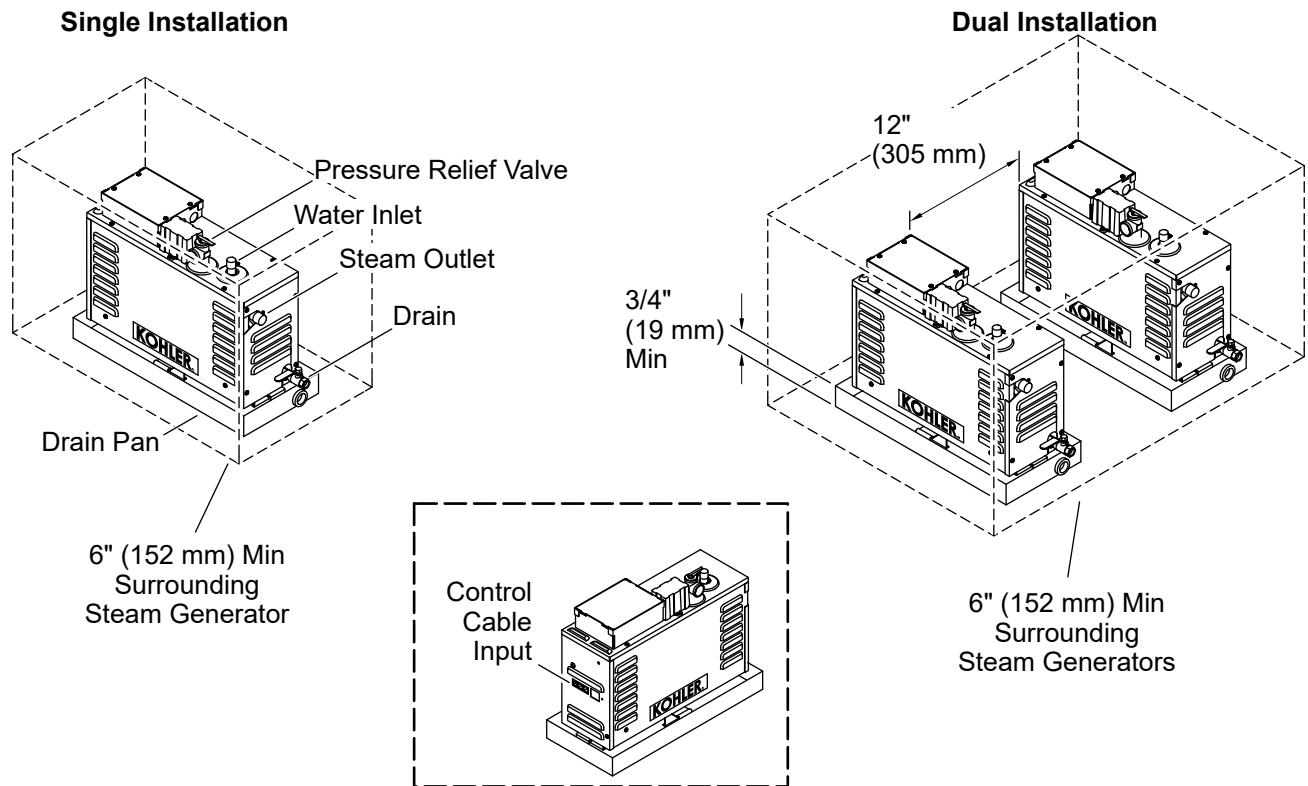
*For dual installations only: Each steam generator requires a dedicated circuit rated at 240 V, 59 A, 60 Hz.

 **WARNING: Risk of electrocution.** Disconnect all power before performing these installation steps.

NOTICE: Each steam generator requires a dedicated circuit. Dual steam generator installations require a second dedicated circuit.

- Follow all local plumbing, building, and electrical codes. All electrical work should be done by a qualified electrician.
- In the chart above, find the electrical supply requirements for your steam generator.
- Install the appropriate electrical supply (install 2 dedicated supplies for dual steam generator installations).

4. Install the Steam Generator



⚠ WARNING: Risk of property damage. There must be a minimum of 6" (152 mm) of air space surrounding the steam generator at all times. This provides an area for the heat generated by the unit to dissipate.

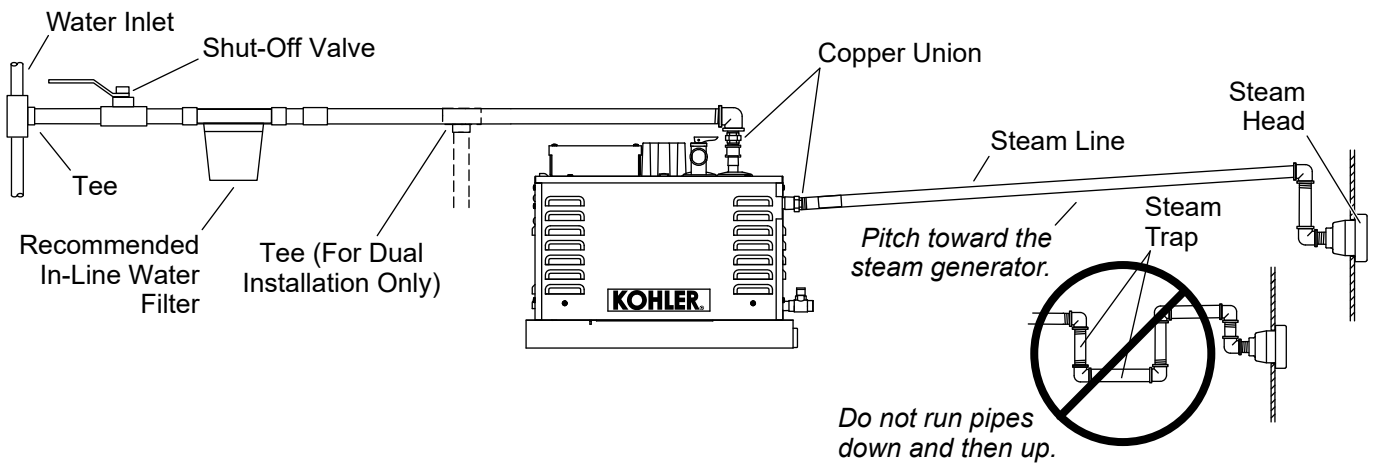
NOTICE: For optimum performance, install the steam generator as close as possible to the steam head. The steam generator must be installed within 25' (7.62 m) of the steam head.

Install the desired drain pan at the steam generator location. Kohler Co. recommends using a KOHLER drain pan.

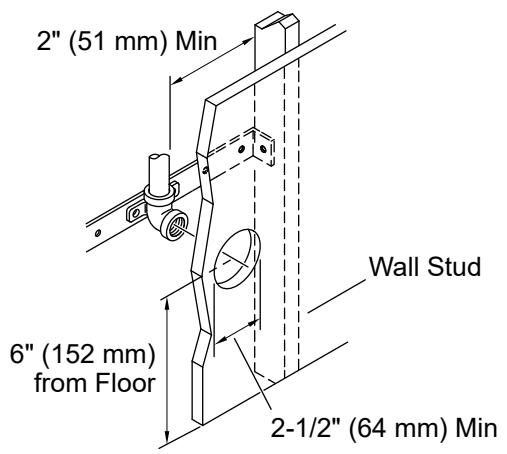
IMPORTANT! If a KOHLER drain pan is NOT being used, construct the support blocks using heat-resistant material.

Position the steam generator on the support blocks.

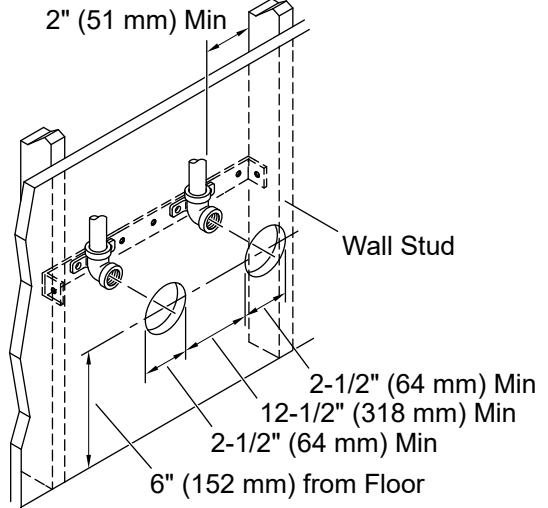
5. Install the Waterline and Steam Line



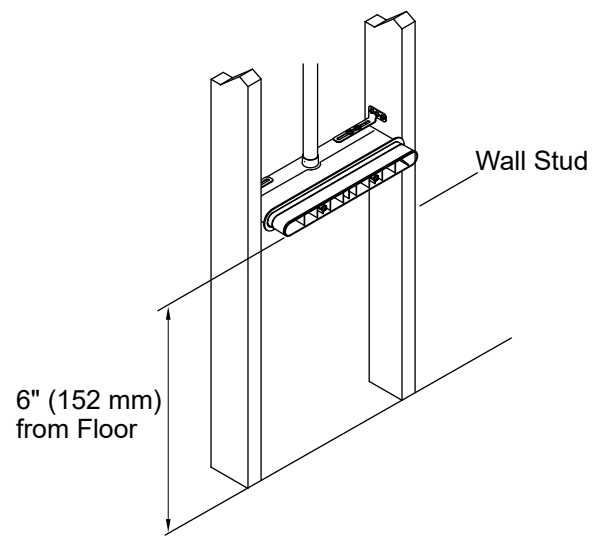
Single Steam Head







Dual Steam Head



Linear Steam Head



-  **WARNING: Risk of personal injury or property damage.** Do not plumb the pressure relief valve into the steam line. Plumbing the pressure relief valve into the steam line can create a hazard if the steam line is blocked or obstructed.
-  **WARNING: Risk of scalding.** Do not plumb a trapway, shut-off valve, or pressure relief valve into the steam line. Plumbing the pressure relief valve into the steam line can be hazardous if the steam outlet is capped.
-  **WARNING: Risk of scalding.** Do not connect the drain valve outlet to the steam line. Verify that there are no valleys or dips in the steam line.
-  **WARNING: Risk of personal injury or property damage.** Do not direct the pressure relief valve to the enclosure. In the event the pressure relief valve activates, the hot water may spray causing burns to the user and/or damage to the enclosure. Therefore, the pressure relief valve should be directed to an area where damage will not occur from contact with hot water and should conform to national and local plumbing codes.

Model Product Information


| Model | K-32324-NA | K-32325-NA | K-32326-NA | K-32327-NA | K-32332-NA | K-32333-NA |
|----------------------------------|-----------------------|-----------------------|-----------------------|-----------------------|-----------------------|-----------------------|
| Weight | 29 lb (13.2 kg) | 29 lb (13.2 kg) | 29 lb (13.2 kg) | 29 lb (13.2 kg) | 48 lb (21.8 kg) | 48 lb (21.8 kg) |
| Water Supply | 1/2" copper line | 1/2" copper line | 1/2" copper line | 1/2" copper line | 1/2" copper line | 1/2" copper line |
| Steam Line | 1/2" copper line | 1/2" copper line | 1/2" copper line | 1/2" copper line | 1/2" copper line | 1/2" copper line |
| Pressure Relief Valve (supplied) | 3/4 NPT female thread | 3/4 NPT female thread | 3/4 NPT female thread | 3/4 NPT female thread | 3/4 NPT female thread | 3/4 NPT female thread |
| Drain Line Valve | 3/8 NPT | 3/8 NPT | 3/8 NPT | 3/8 NPT | 3/8 NPT | 3/8 NPT |

Install the Waterline to the Generator

NOTE: For all NPT threaded connections, use pipe tape or pipe sealant. Do not overtighten the fittings.

- Connect to an existing cold waterline, and run a 1/2" cold waterline to a shut-off valve before the in-line water filter.
- Before final connection to the steam generator, flush out the water supply line into a large pail. This removes any debris, silt, sand, or other material that may be in the line. Verify that the filter screen is in place in the water inlet tube.
- Install 1/2" copper tubing with a union fitting (supplied with the steam generator) located as close as possible to the steam generator.
- Connect the water supply line to the steam generator.
- Turn ON the water supply, and fill the steam generator with water. Check for leaks.
- Check that the water drain valve on the generator is closed.
- If the water supply line exceeds 10' (3 m) or is exposed to cold areas, insulate the piping with appropriate insulation.

Install the Steam Line

-  **WARNING: : Risk of scalding.** Do not block the steam head or locate the steam head near a seat or bench, as the steam head is hot during operation and may scald the user if touched.

NOTICE: Never run the steam line down, then up. Running the steam line down and then up will create a steam trapway, blocking the flow of steam. Install the steam line at an incline to the steam head, at a pitch of 3/8" (10 mm) - 1/2" (13 mm) per 12" (305 mm) of pipe.

NOTICE: Provide clearance between the back wall and the elbow leading into the steam housing. The elbow must not contact any wall material.

NOTICE: Provide clearance between the steam line and surrounding surfaces.

NOTICE: Do not apply excessive heat to the generator connections when you solder connections. Do not apply flux or acids directly to the steam generator, as damage to the seals, plastic components, and trim finish may result. Do not apply petroleum-based lubricants to the steam generator components, as damage may result.

NOTE: Use thread sealant tape or pipe sealant for threaded connections. Do not overtighten the fittings.

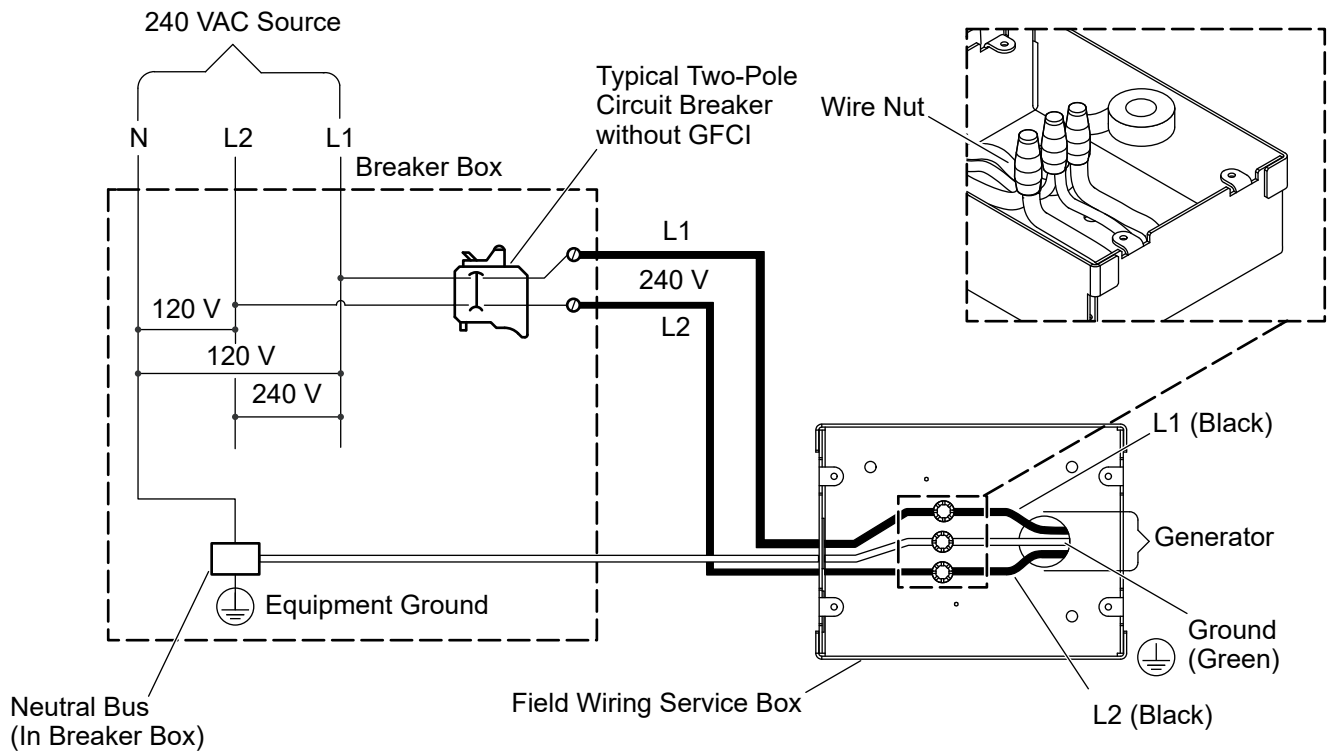
NOTE: Use a 1/2" copper tube for the steam line.

NOTE: For optimum performance, use 45° elbows in the steam line when possible. The use of 90° elbows may result in an increase of condensation in the steam shower.

NOTE: Always install a union fitting (supplied) as close as possible to the steam generator.

- Add blocking behind the desired steam head location.
- Install and secure a 1/2 NPT elbow to the blocking directly behind the desired steam head location.
- Install a temporary 1/2" copper nipple that extends through the finished wall.

6. Connect the Electrical Supply



⚠ WARNING: Risk of electrocution. Disconnect all power before performing these installation steps.

IMPORTANT! Verify that the water supply to the steam generator is turned ON before connecting the electrical supply.

NOTICE: All electrical work should be done by a qualified electrician.

NOTICE: All electrical wiring must be done in accordance with local codes.

NOTICE: Each steam generator requires a dedicated circuit. Dual steam generator installations require a second dedicated circuit.

NOTE: The wire nuts, field wiring, and circuit breaker are not provided.

- Turn OFF all electricity to the working area at the main circuit breaker panel.
- Connect a 240 VAC electrical line to the wires labeled "L1," "L2," and the green (ground) wire coming out of the field wiring service box.
- Close the field service box.
- Turn ON the main power.
- The digital display should read "Ld" or "Hd." If the digital display is not lit, consult the "Troubleshooting" section or contact the Customer Care Center.

7. Complete the Installation

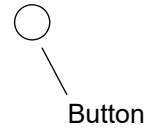
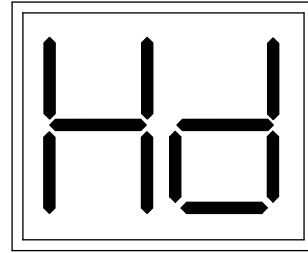
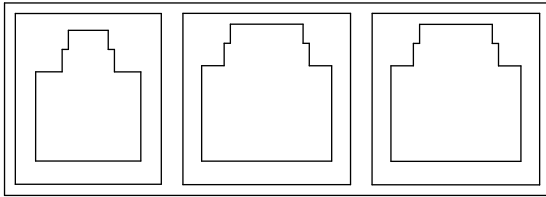


Warning Label

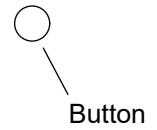
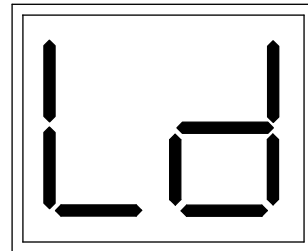
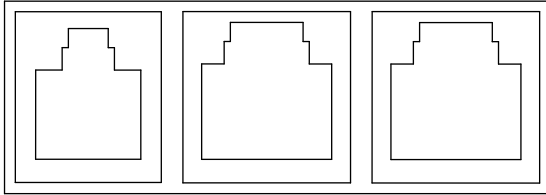
- Remove the adhesive backing from the warning label provided and apply the label to the wall of the shower or steam enclosure.
- Install the steam housing and steam head following the instructions packed with the steam head or steam control installation instructions.
- Install the steam control following the instructions packed with the steam control.
- To operate the steam control, follow the operating instructions provided with the steam control.

Enabling/Disabling the Fast Response Heater

Fast Response Heater Enabled




Fast Response Heater Disabled



IMPORTANT! If this steam generator will be installed in a location that is 6000' (1829 m) above sea level, the fast response heater must be disabled.

- Press the button next to the digital display to enable or disable the fast response heater.

Troubleshooting

 **CAUTION: Risk of personal injury.** Troubleshooting steps involving internal wiring or electrical connections should be performed by a qualified electrician.

NOTE: The troubleshooting steps below only apply to the steam generator itself. For issues involving the steam control, refer to the "Troubleshooting" section of the steam control instructions.

NOTE: For service parts information, visit your product page at kohler.com/serviceparts.

This troubleshooting guide is for general aid only. For service and installation issues and concerns, call 1-800-4KOHLER.

Error Codes

| Error Code | Description |
|------------|--|
| 01 | The water level is low, causing the temperature to rise. |
| 02 | The steam generator is below the expected temperature. |
| 03 | The steam generator is below the expected temperature. |
| 04 | The steam generator is above the expected temperature. |
| 05 | The steam generator is above the expected temperature. |
| 10 | Steam valve electrical failure. |
| 20 | Steam valve mechanical failure. |
| 30 | Power clean valve electrical failure. |
| 40 | Power clean valve mechanical failure. |
| 50 | Water level sensor failure. |
| 60 | Main heater relay failure. |
| 70 | Main heater failure. |
| 80 | Fast response heater failure. |
| 90 | The control panel button is stuck. |
| A0 | Communication error. |

Installation Troubleshooting

| Symptoms | Probable Causes | Recommended Action |
|---|---|---|
| <p>1. The digital display is OFF and steam is not emitting from the steam head.</p> | <p>A. No electrical power at the steam generator.</p> <p>B. The circuit breaker is in the OFF position.</p> <p>C. The circuit breaker is not the correct size.</p> <p>D. The electrical connection in the steam generator field service box is loose.</p> | <p>A. Reset the electrical power at the circuit breaker. Have a qualified electrician verify that 240 V of power is present at the steam generator.</p> <p>B. Turn ON the electrical power at the circuit breaker.</p> <p>C. Verify that the circuit breaker is the correct size. Replace the circuit breaker if the size is incorrect.</p> <p>D. Turn OFF all electrical power to the steam generator. Have a qualified electrician open the steam generator field service box and check/repair the connections.</p> |
| <p>2. The digital display is showing an error code and steam is not emitting from the steam head. Refer to the "Error Codes" section for a list of error codes.</p> | <p>A. The water is turned OFF.</p> <p>B. The inlet screen is clogged.</p> <p>C. There is excessive back pressure caused by piping that is too long or piping that contains too many 90° elbows.</p> <p>D. The steam control is not connected.</p> | <p>A. Turn OFF the water supply.</p> <p>B. Remove and clean the inlet screens.</p> <p>C. Relocate the steam generator closer to the steam head or use 45° elbows.</p> <p>D. Check the wiring connections according to the steam control installation instructions. If needed, use the provided troubleshooting kit to troubleshoot connection issues.</p> |
| <p>3. Steam is emitting from the steam head, but the steam control is turned OFF.</p> | <p>A. Elevations greater than 6000' (1829 m) above sea level may cause water to boil at lower temperatures.</p> | <p>A. Disable the fast response heater. Refer to the "Enabling/Disabling the Fast Response Heater" section.</p> |