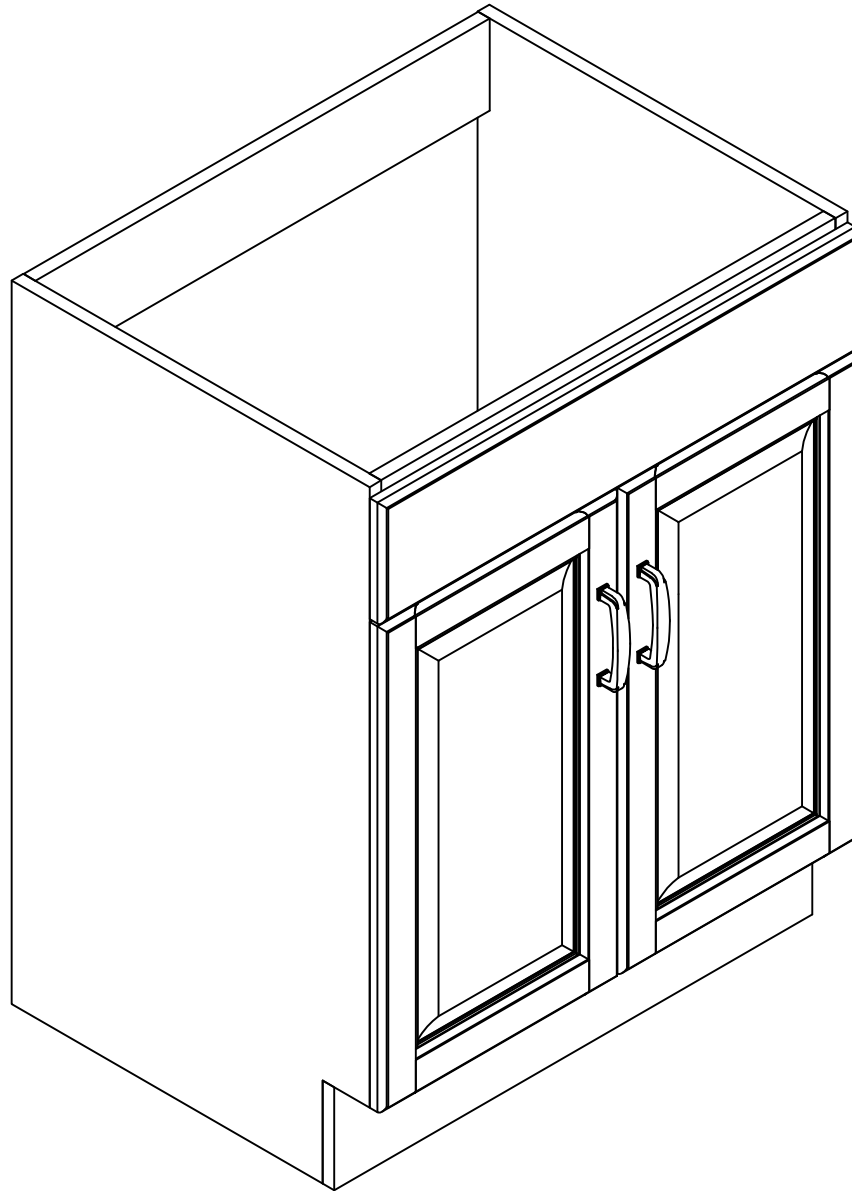




[www.todaysdesignhouse.com](http://www.todaysdesignhouse.com)

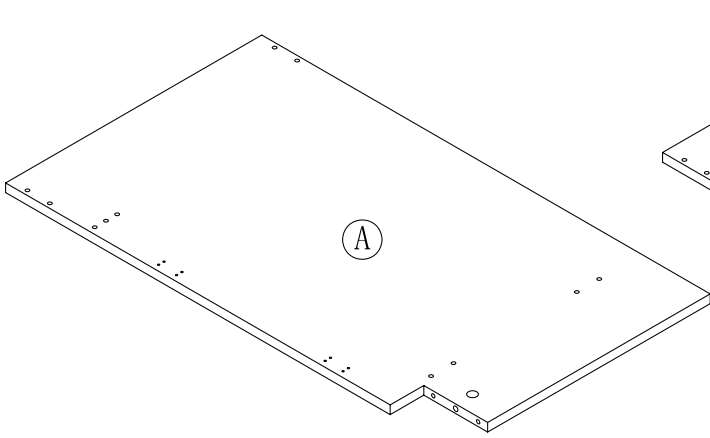


590877

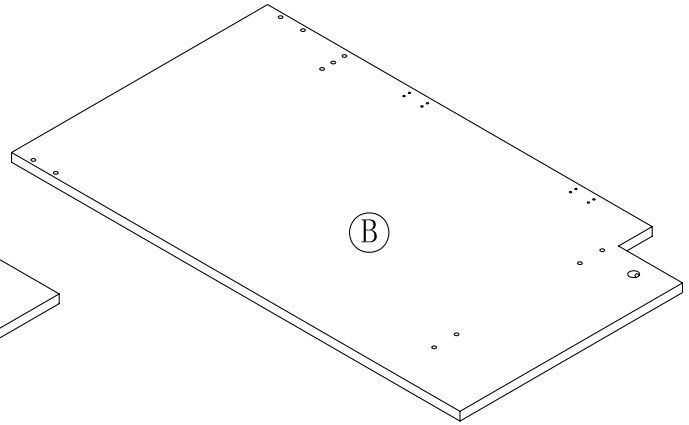
# ASSEMBLY INSTRUCTIONS

DHI Corp. • 5205 W. Donges Bay Rd. • Mequon, WI 53092 • 800.558.8700

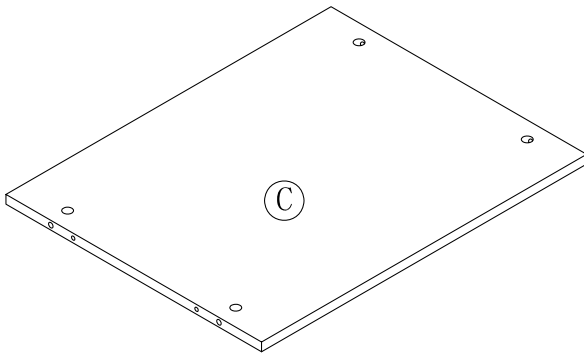
# PARTS LIST:



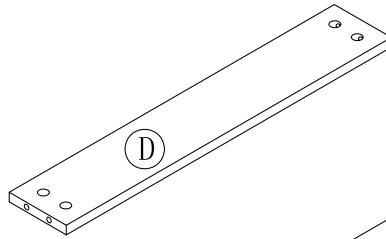
LEFT SIDE PANEL 1PC



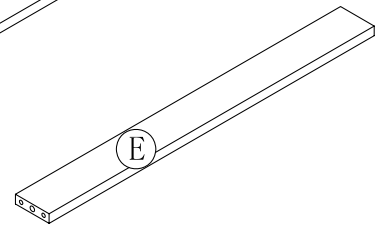
RIGHT SIDE PANEL 1PC



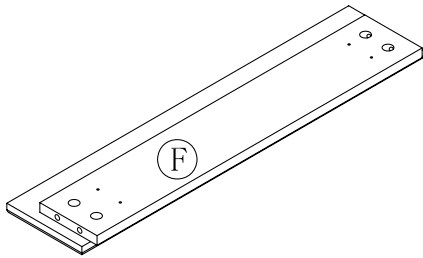
BOTTOM PANEL 1PC



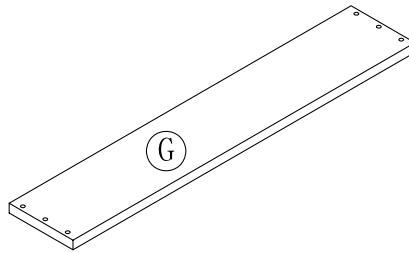
BACK CROSS BRACE 1PC



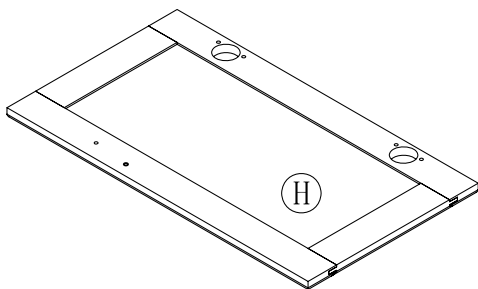
FRONT CROSS BRACE 1PC



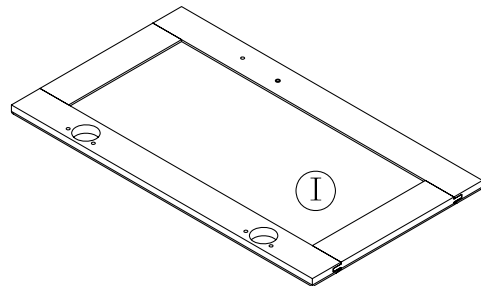
FALSE DRAWER FRONT 1PC



TOE KICK PANEL 1PC



LEFT SIDE DOOR 1PC

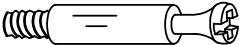


RIGHT SIDE DOOR 1PC

# HARDWARE LIST:



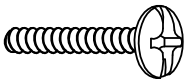
a. WOOD DOWEL 12PCS



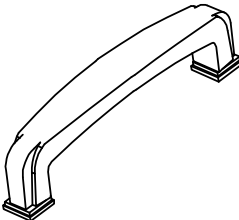
b. CAM LOCK SCREW 16PCS



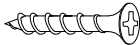
b. CAM LOCK SCREW 16PCS



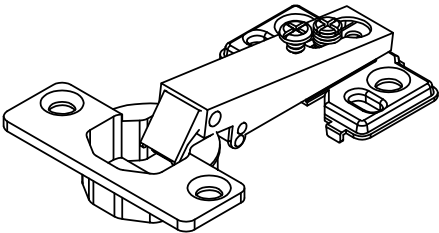
d. HANDLE BLOT 4PCS



e. HANDLE 2PCS



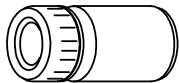
f. 5/8" L FLAT HEAD SCREW 24PCS



g. HINGE 4PCS

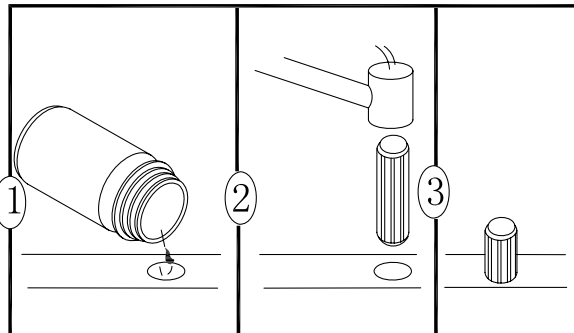
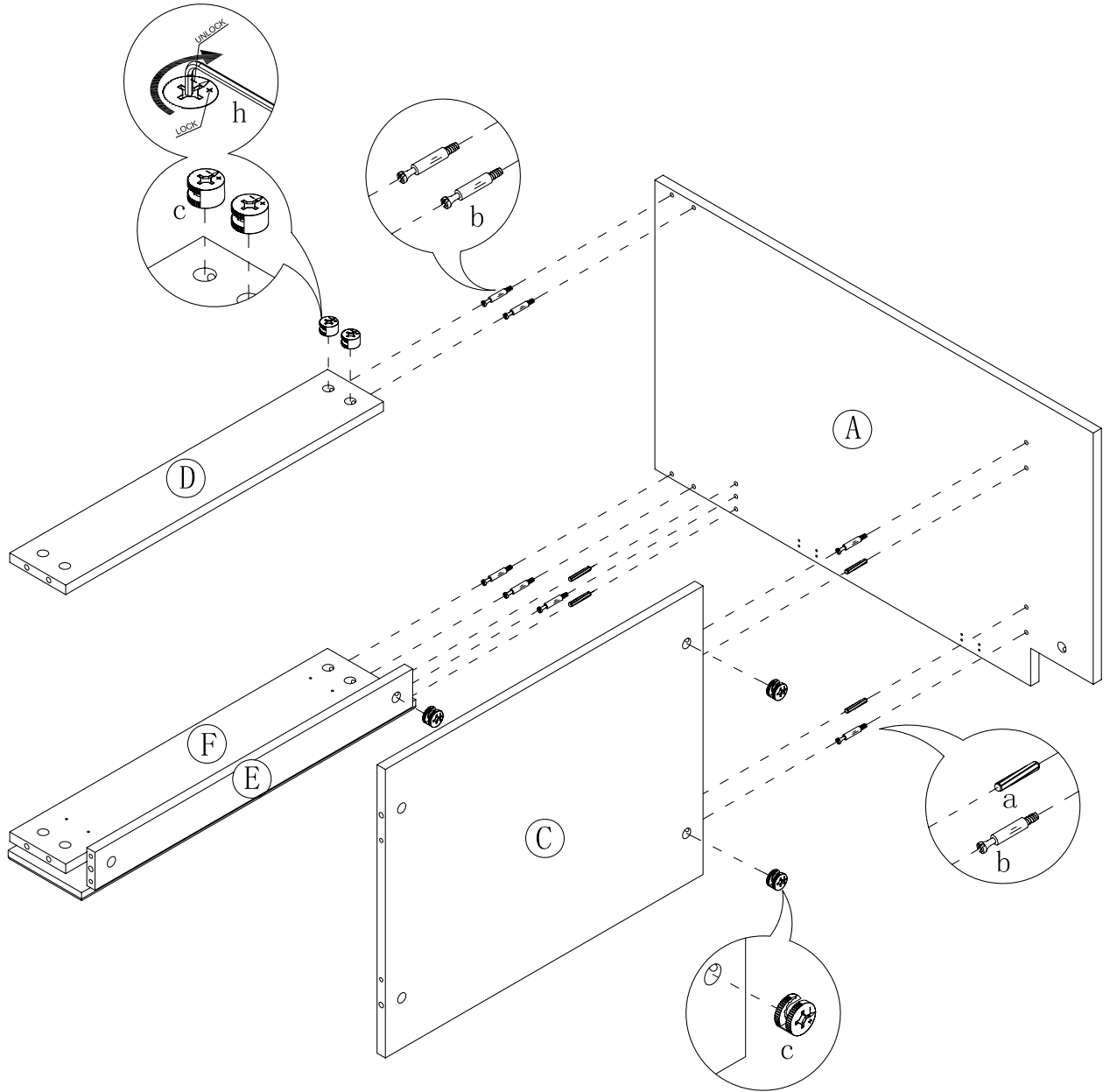


h. WRENCH 1PC

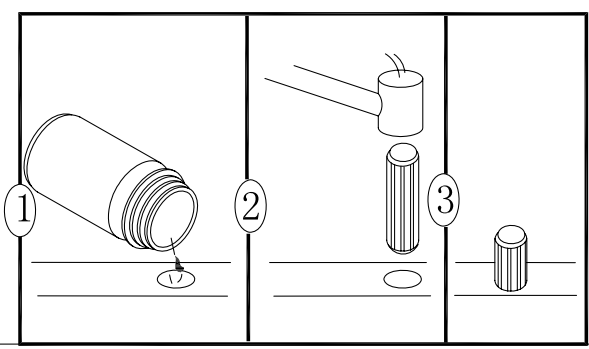
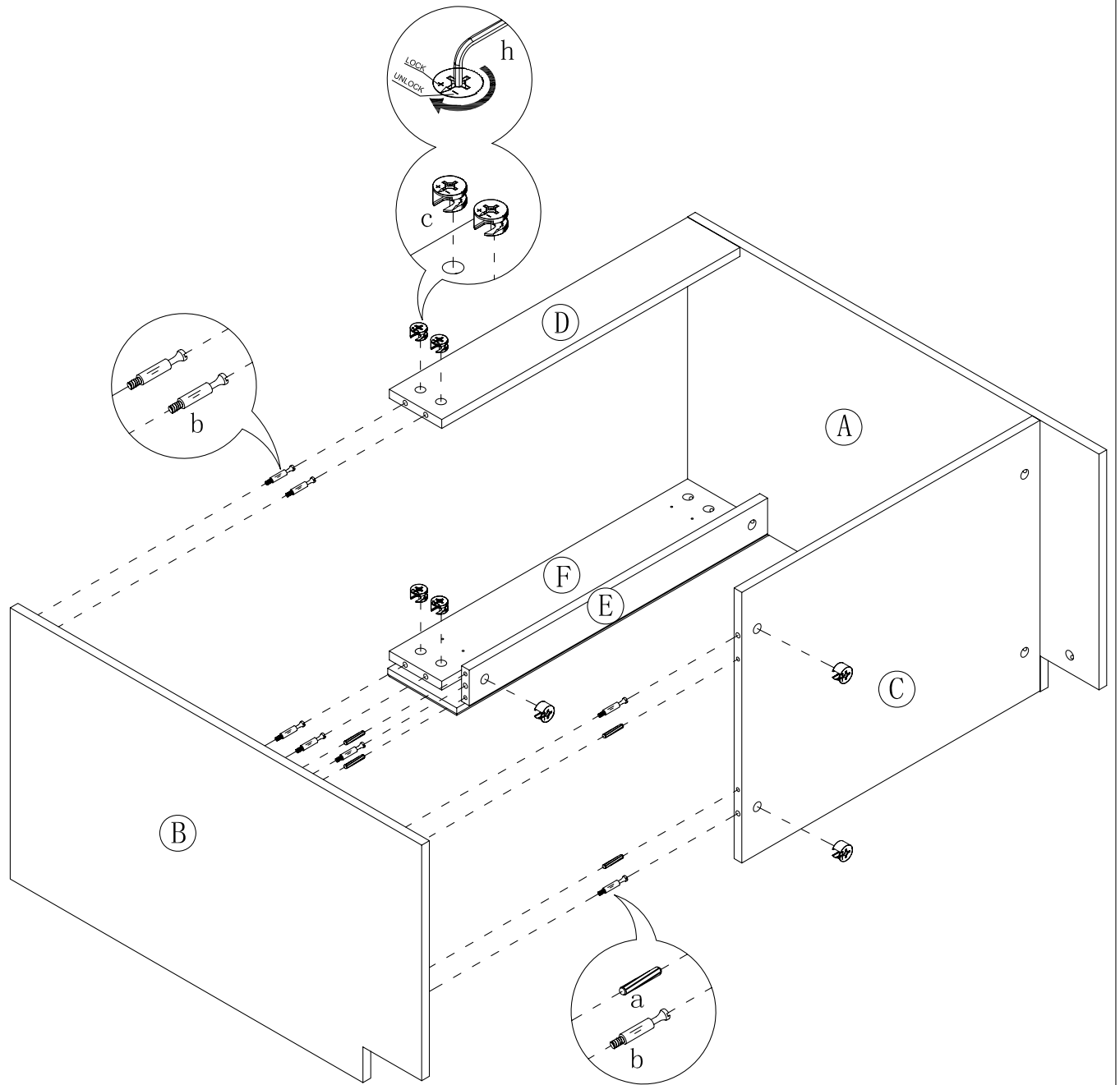


i. GLUE 1PC

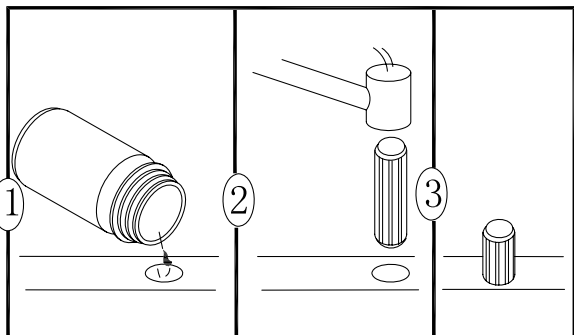
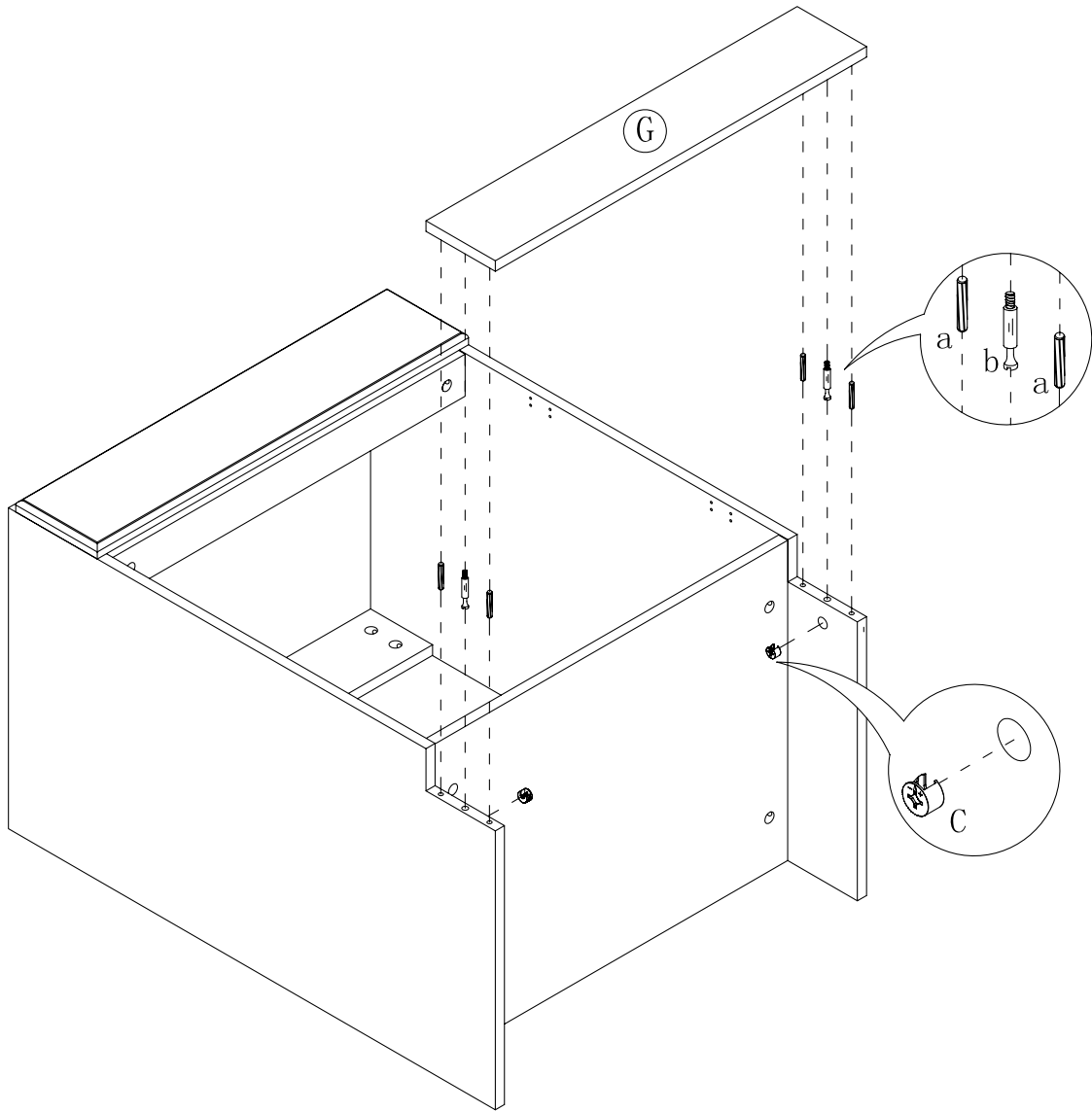
# STEP 1



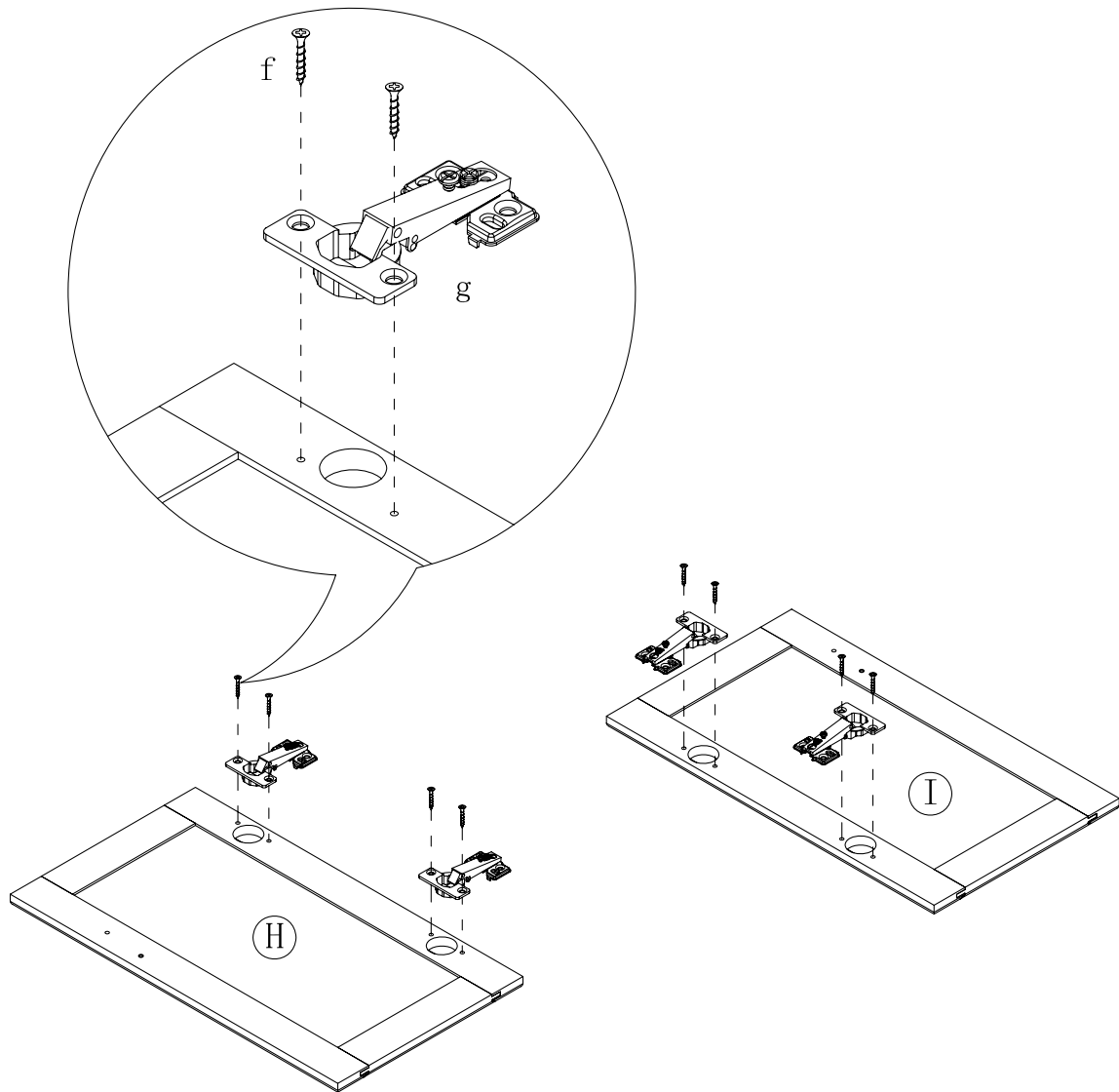
# STEP 2



# STEP 3



# STEP 4



# STEP 5

