

# GENEVA HEADBOARD

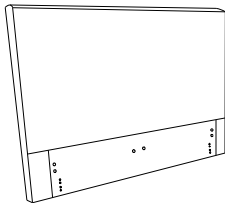
## FULL/QN/CK/EK SIZE ASSEMBLY INSTRUCTIONS



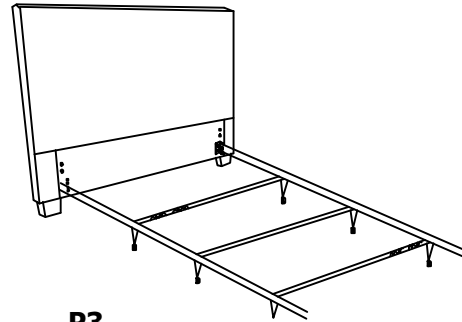
### PARTS AND FITTING PACKAGING DETAIL

#### BOX #1

- P1. HEADBOARD 1 PC
- P2. WOODEN LEG 2 PCS



**P1**

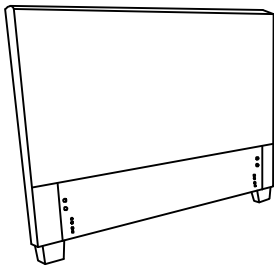


**P3**

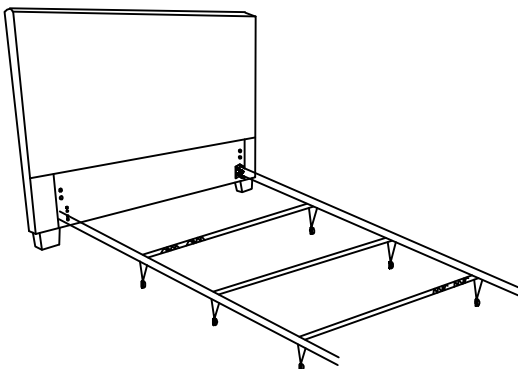


**P2**

#### GENEVA HEADBOARD ASSEMBLED



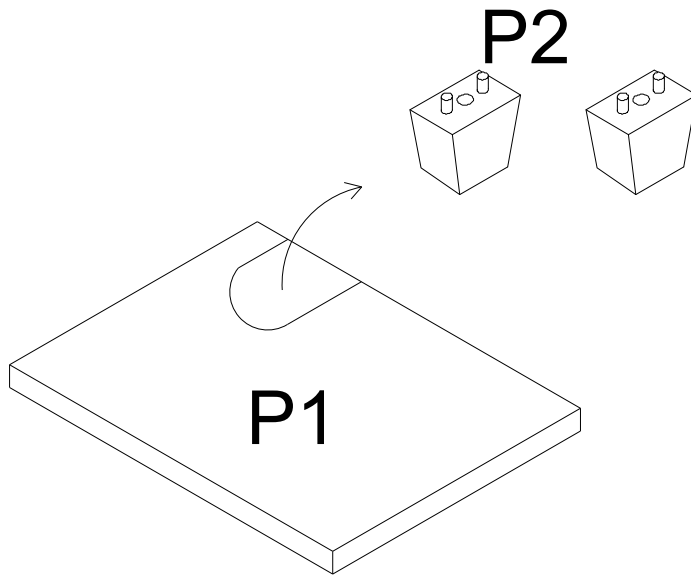
#### GENEVA HEADBOARD ASSEMBLED SHOWN WITH METAL BED FRAME.



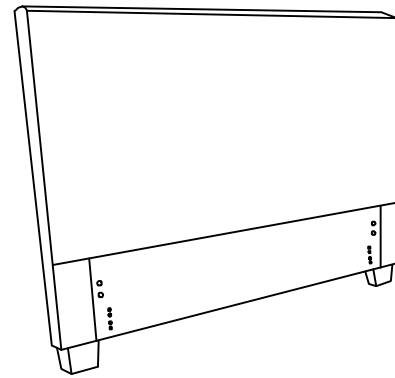
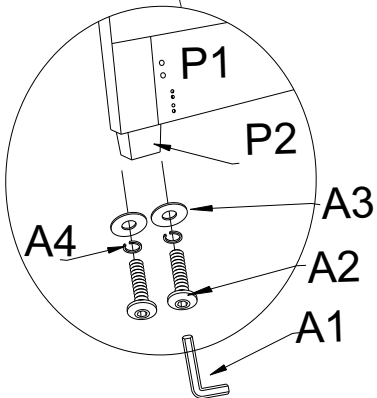
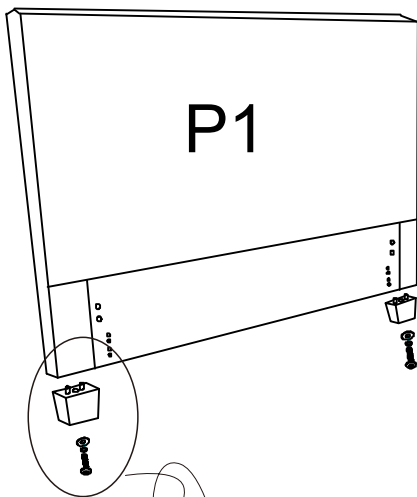
#### HARDWARE\* PACKED IN BOX #1

A1	ALLEN KEY 5/16"	1 PC	A2	BOLT 5/16"*3.25"	4 PCS	A3	FLAT WASHER	4 PCS
A4	LOCK WASHER	4 PCS	A5	ALLEN KEY 1/4"	1 PC	A6	BOLT 1/4"*1"	8 PCS
A7	FLAT WASHER	8 PCS	A8	LOCK WASHER	8 PCS			

OPTION 1:

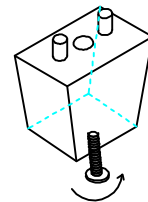


**STEP 1:**  
TAKE THE LEGS OUT FORM THE BACK OF HEADBOARD.



ASSEMBLY COMPLETE.

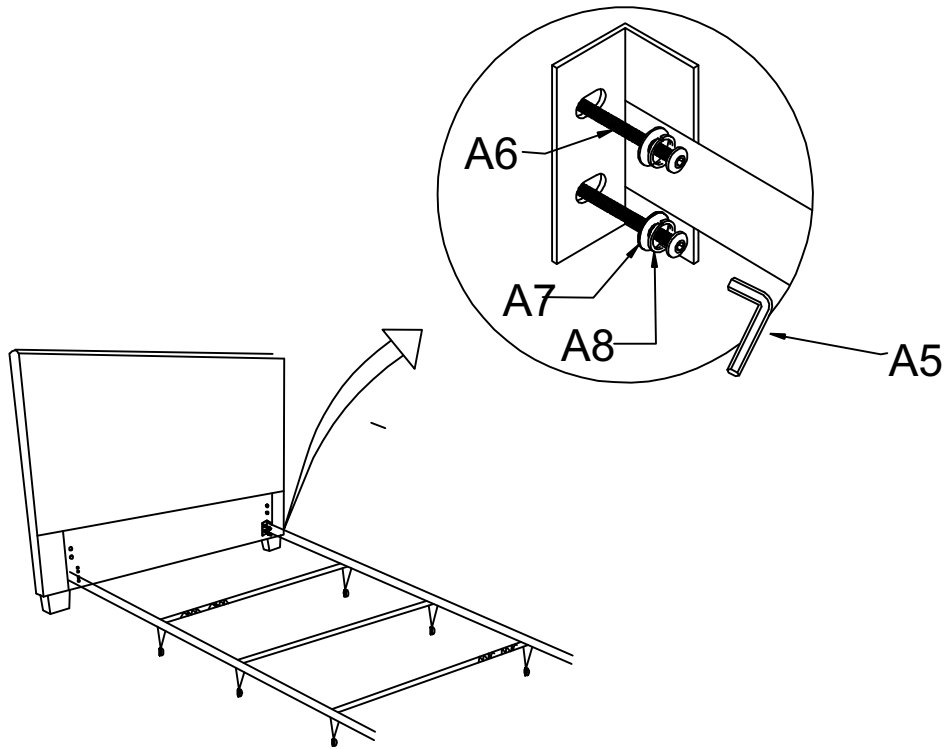
INSTRUCTIONS FOR ADJUSTING LEVELERS.



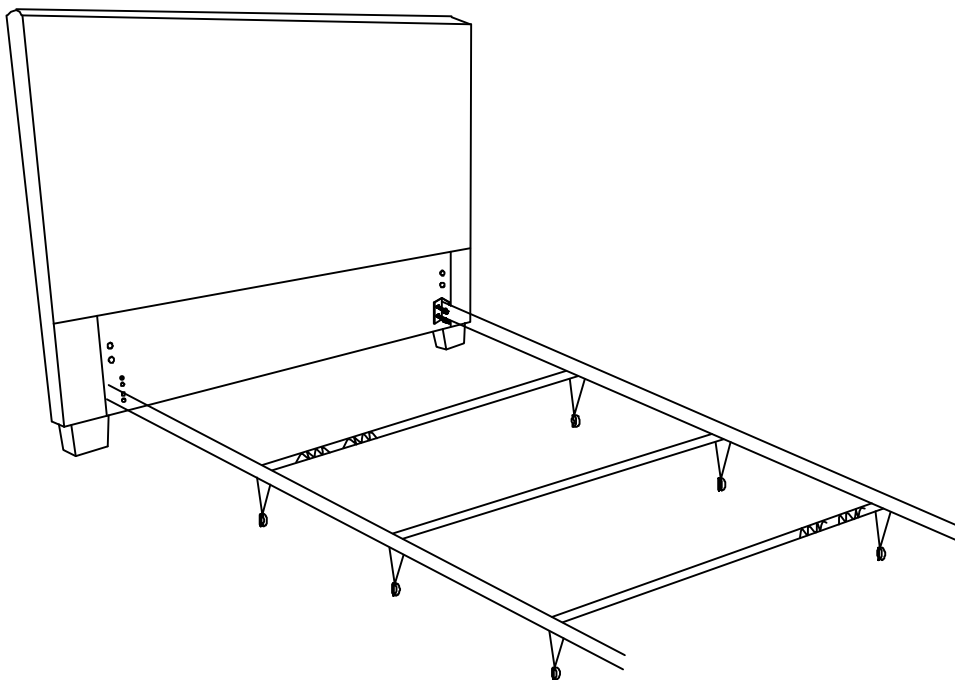
THE LEVELERS ARE LOCATED ON THE UNDERSIDE OF EACH OF THE LEGS (P2). TURN COUNTER-CLOCKWISE TO EXTEND, AND CLOCKWISE TO CONTRACT. ADJUST LEVELERS UNTIL THE LEGS MATCH EACH OTHER IN HEIGHT.

**STEP 2:**  
ASSEMBLE THE WOODEN LEGS TO THE BOTTOM OF HEADBOARD.

OPTION 2:



STEP 1: PLACE WASHERS (A7&A8) THROUGH BOLT (A6) , AND FASTEN THE METAL BED FRAME TO HEADBOARD.



STEP 2: ASSEMBLY IS COMPLETED. SHOWN WITH METAL BED FRAME.

# GENEVA HEADBOARD

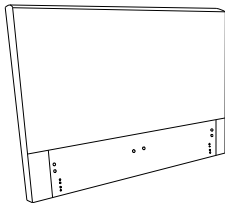
## FULL/QN/CK/EK SIZE ASSEMBLY INSTRUCTIONS



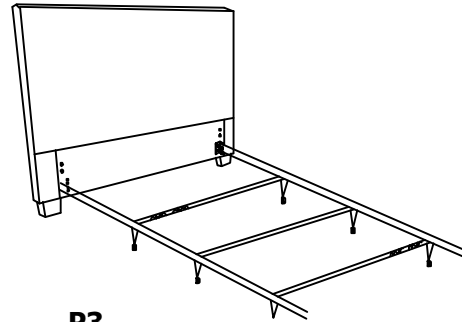
### PARTS AND FITTING PACKAGING DETAIL

#### BOX #1

- P1. HEADBOARD 1 PC
- P2. WOODEN LEG 2 PCS



**P1**

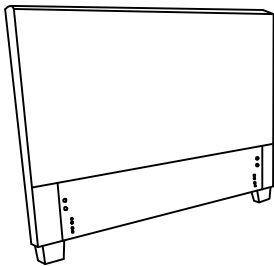


**P3**

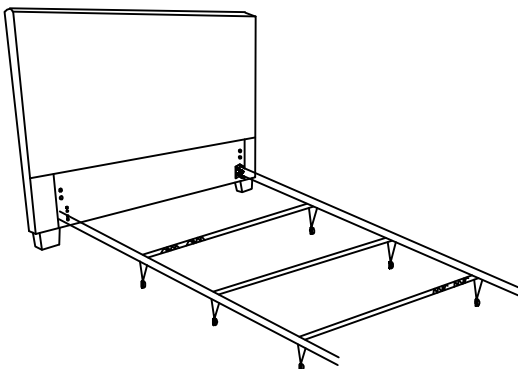


**P2**

#### GENEVA HEADBOARD ASSEMBLED



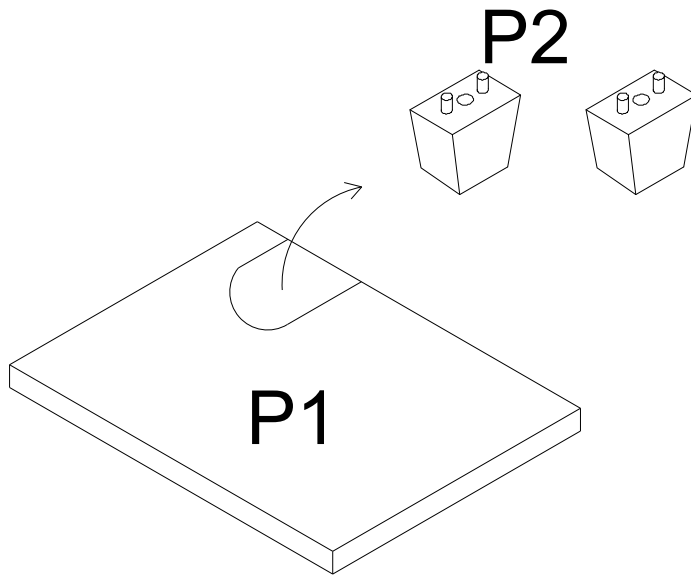
#### GENEVA HEADBOARD ASSEMBLED SHOWN WITH METAL BED FRAME.



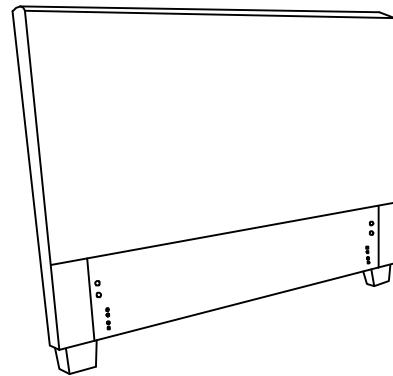
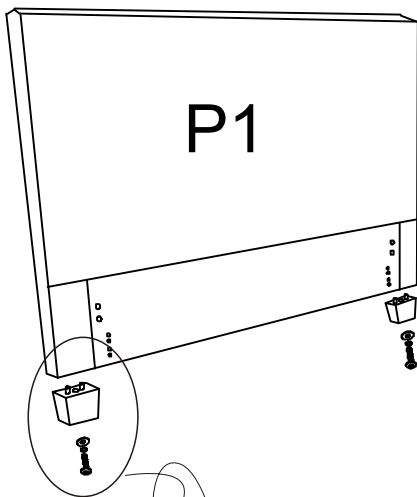
#### HARDWARE\* PACKED IN BOX #1

A1	ALLEN KEY 5/16"	1 PC	A2	BOLT 5/16"*3.25"	4 PCS	A3	FLAT WASHER	4 PCS
A4	LOCK WASHER	4 PCS	A5	ALLEN KEY 1/4"	1 PC	A6	BOLT 1/4"*1"	8 PCS
A7	FLAT WASHER	8 PCS	A8	LOCK WASHER	8 PCS			

OPTION 1:

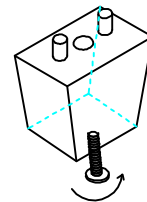
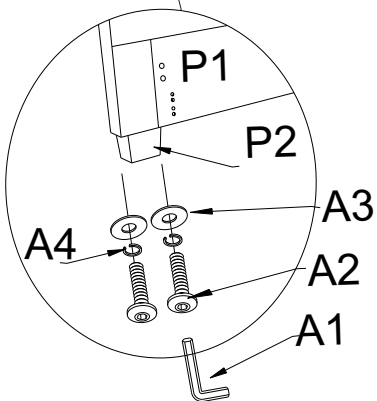


**STEP 1:**  
TAKE THE LEGS OUT FROM THE BACK OF HEADBOARD.



ASSEMBLY COMPLETE.

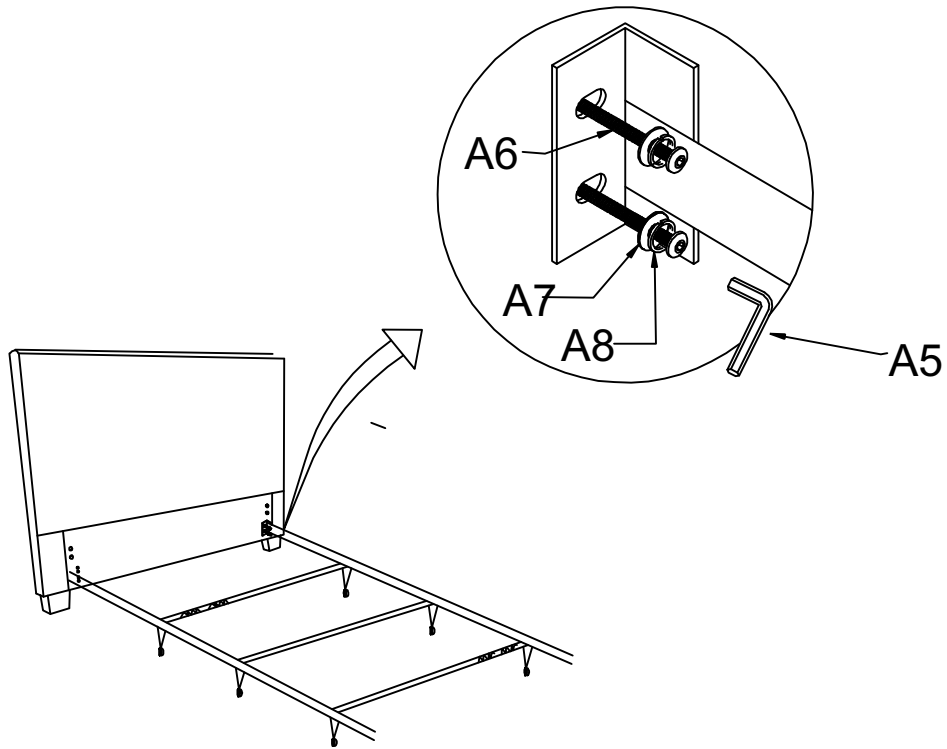
INSTRUCTIONS FOR ADJUSTING LEVELERS.



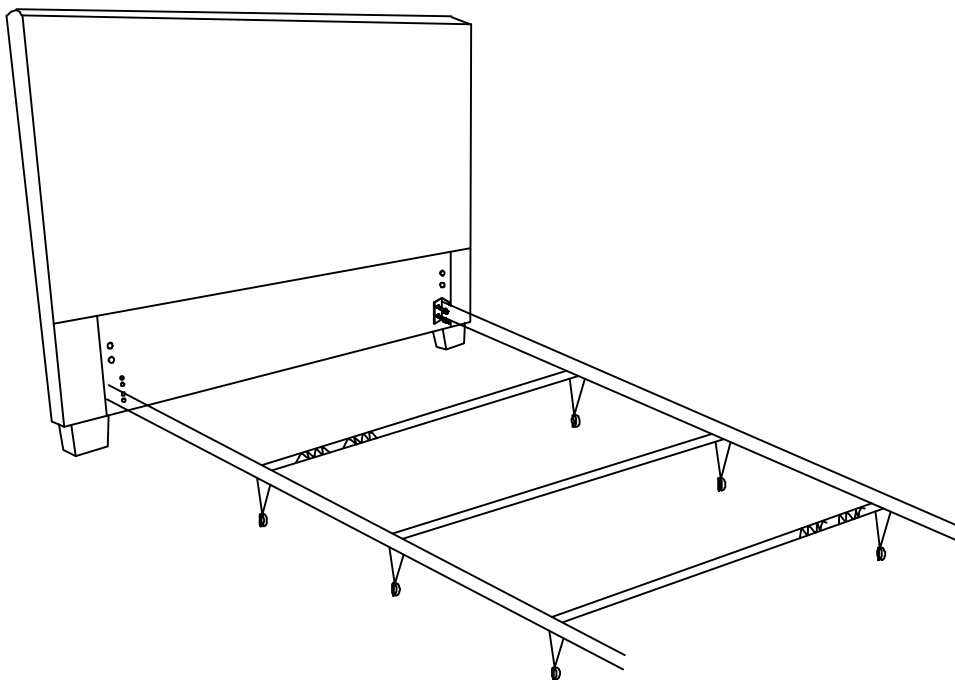
THE LEVELERS ARE LOCATED ON THE UNDERSIDE OF EACH OF THE LEGS (P2). TURN COUNTER-CLOCKWISE TO EXTEND, AND CLOCKWISE TO CONTRACT. ADJUST LEVELERS UNTIL THE LEGS MATCH EACH OTHER IN HEIGHT.

**STEP 2:**  
ASSEMBLE THE WOODEN LEGS TO THE BOTTOM OF HEADBOARD.

OPTION 2:



STEP 1: PLACE WASHERS (A7&A8) THROUGH BOLT (A6) , AND FASTEN THE METAL BED FRAME TO HEADBOARD.



STEP 2: ASSEMBLY IS COMPLETED. SHOWN WITH METAL BED FRAME.