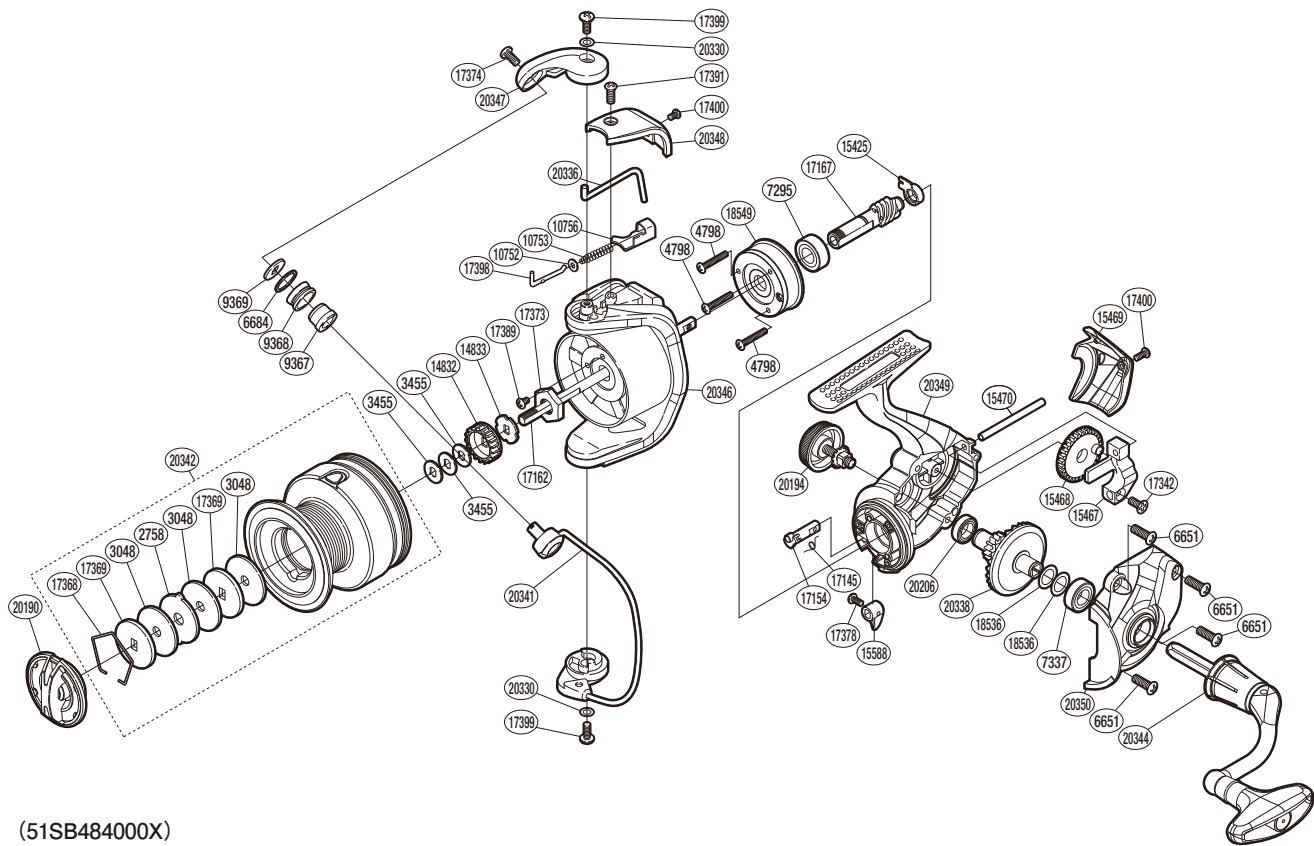


SHIMANO

SIENNA

SN4000FG



(51SB484000X)

#	Part No.	Description	#	Part No.	Description	#	Part No.	Description
2758	102XT	Eared Washer	15468	10G9L	Oscillating Gear	17400	10L1S	Screw
3048	1031C	Drag Washer	15469	10NKL	Rear Protector	18536	1003B	Washer
3455	10BXN	Spool Washer	15470	1035B	Oscillating Guide	18549	1003H	Roller Clutch Assembly
4798	103C6	Screw	15588	10AP0	Anti-reverse Lever	20190	101K3	Drag Knob
6651	10L9P	Screw	17145	105B4	Anti-reverse Cam Spring	20194	1026B	Handle Screw Cap
6684	10KFD	Line Roller Spacer	17154	1053S	Anti-reverse Cam	20206	10SNQ	Ball Bearing
7295	107FC	Ball Bearing	17162	103NU	Main Shaft	20330	101VQ	Washer
7337	107AR	Ball Bearing	17167	10C56	Pinion Gear	20336	100PR	Bail Trip Lever
9367	10PFE	Line Roller Bushing	17342	10ML7	Screw	20338	100JJ	Drive Gear
9368	10JLF	Line Roller	17368	10MZM	Drag Washers Retainer	20341	101L0	Bail Assembly
9369	10PFP	Line Roller Washer	17369	10N23	Key Washer	20342	10TAA	Spool Assembly
10752	10TYE	Bail Spring Guide A Collar	17373	10817	Rotor Nut	20344	10TAD	Handle Assembly
10753	10FVD	Bail Spring	17374	10K90	Screw	20346	100PA	Rotor
10756	10HEB	Bail Spring Sheet	17378	10L1R	Screw	20347	10TAB	Bail Arm
14832	103MU	Spool Support A	17389	10LHN	Screw	20348	100JM	Bail Spring Cover
14833	10J04	Spool Support B	17391	10LFLK	Screw	20349	100PM	Body
15425	1074K	Pinion Gear Bushing	17398	105LU	Bail Spring Guide A	20350	10TAB	Side Cover
15467	10G7E	Oscillating Slider	17399	10LLJ	Screw			

Please note that the number of adjusting washers may not be the same as shown in the exploded views.
(Adjustment will vary with each individual product.)

(230823)_002