


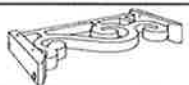



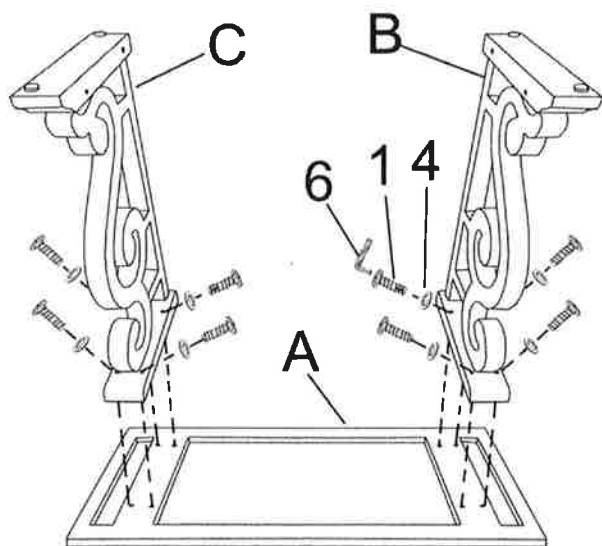
# ASSEMBLY INSTRUCTIONS

## Parts required

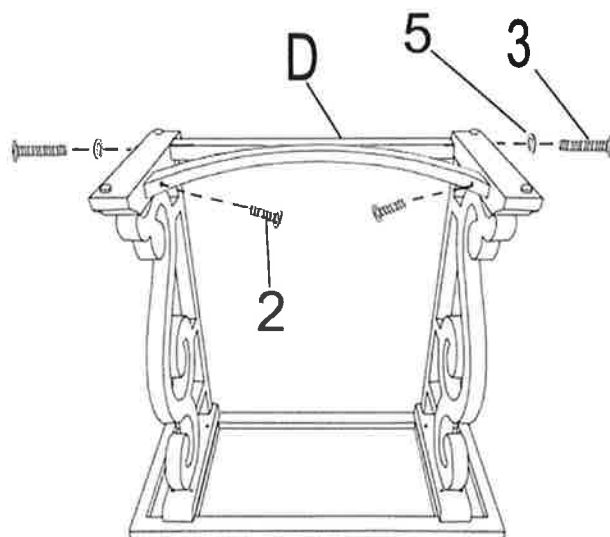
1		Bolt	Φ8*30MML	8pcs
2		Bolt	Φ6*30MML	2pcs
3		Bolt	Φ6*45MML	2pcs
4		Flat washer	Φ8MM	8pcs
5		Flat washer	Φ6MM	2pcs
6		Allen wrench		1pc

A		1pc
B		1pc
C		1pc
D		1pc

1.



2.



3.

