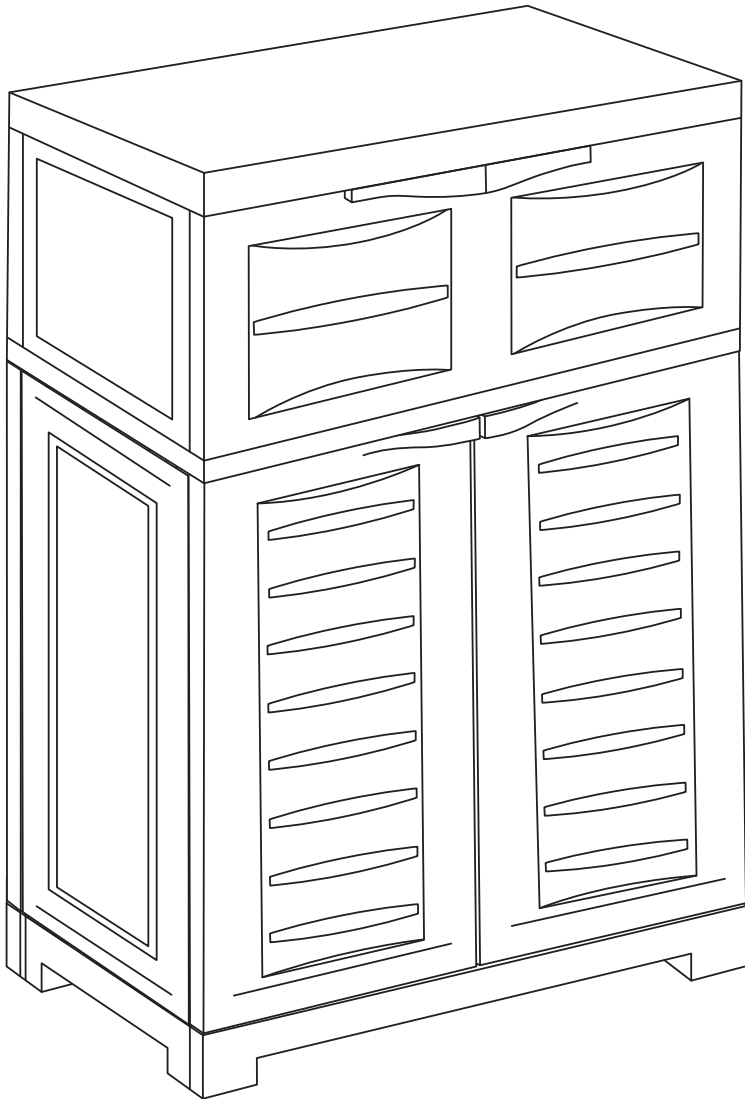




Thank you for choosing Sunnydaze Decor. We stand behind our brand and the quality of the items we sell. Replacement parts or products will be sent at our discretion within the 1-year warranty period. Proof of purchase, with the date of purchase as well as photos of the merchandise defect, must be provided. Photos are used to determine the cause of defects and for future quality control. Register your warranty at <https://tiny.cc/SunnydazeWarranty>. If you have any questions, comments or concerns, feel free to contact us by phone at 833-982-1977, by email: [customerservice@sunnydazedecor.com](mailto:customerservice@sunnydazedecor.com), or via our contact us page at <https://tiny.cc/SunnydazeContact>

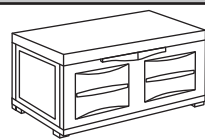
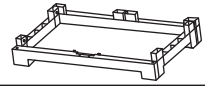

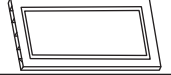
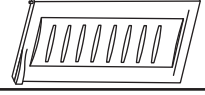
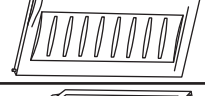

# STORAGE CABINET WITH TOP DRAWER & ADJUSTABLE SHELF

## SUP-318

Review all assembly and care information before using this product. Save this manual for future reference.  
**Assemble components on a soft, clean surface to avoid damaging the finish.**



 Inspect packaging to ensure all parts are accounted for before disposing of packing materials.  
 Save the packing slip.

No.	CODE	PARTS	QTY.
1	TP	 Top Drawer	1
2	BT	 Bottom Panel	1
3	SP	 Side Panel	2
4	BP	 Back Panel	2
5	DR-R	 Right Door	1
6	DR-L	 Left Door	1
7	SL	 Shelf	1

### WARNING!

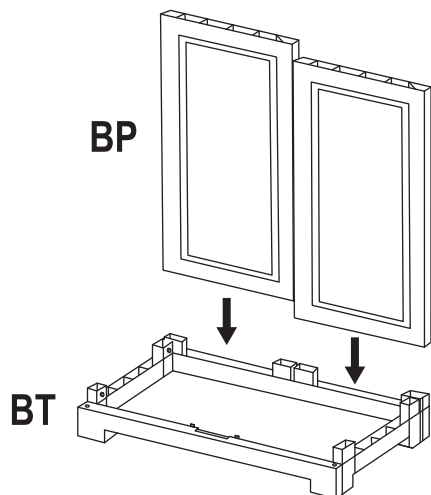
Manufacturer and seller expressly disclaim any and all liability from personal injury, property damage or loss, whether direct or indirect, or incidental, resulting from the incorrect attachment, improper use, inadequate maintenance, or neglect of this product.

# ASSEMBLY

## STEP 1

BT: 1

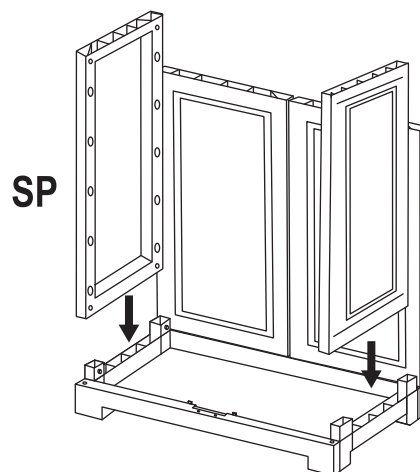
BP: 2



Affix two Back Panels (BP) to Bottom Panel (BT), as shown.

## STEP 2

SP: 2

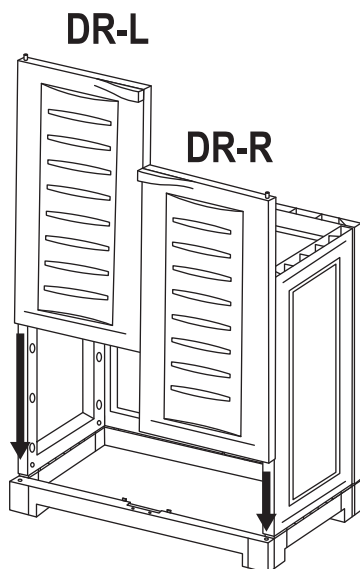


Affix two Side Panels (SP) to the bottom panel, as shown.

## STEP 3

DR-L: 1

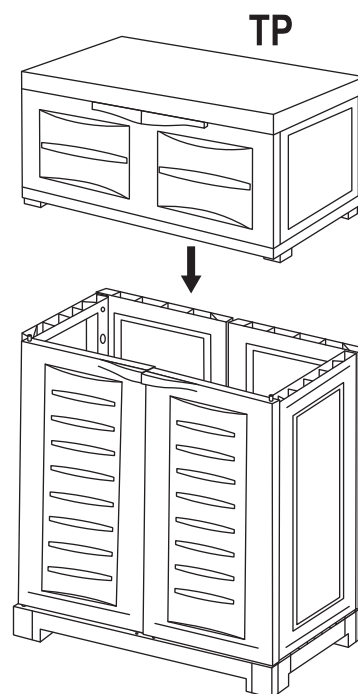
DR-R: 1



Ensuring the handles are at the top, align the pivot pins on the bottom of Left Door (DR-L) and Right Door (DR-R) with the bottom panel.

## STEP 4

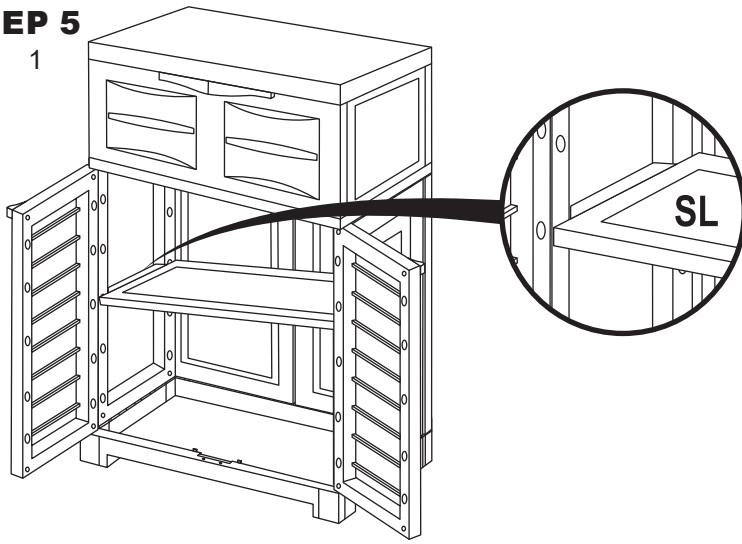
TP: 1



Ensuring the pivot pins on the doors align with the front of Top Drawer (TP), firmly press the top to secure it to the unit.

## STEP 5

SL: 1



Insert Shelf (SL) into the unit at a slight angle and align the shelf with one side of the unit. Then, gently press on the opposite side of the shelf until the shelf locks into place.

# Care & Maintenance

**SAFE USE:** Only use on a flat, level surface. Do not exceed the weight capacity of the shelf or drawer. To prevent sagging, ensure weight is evenly distributed. **DO NOT allow children or pets to play on OR inside the cabinet.** Keep doors closed when not in use.

**LOCATION:** Recommended for indoor use only. Avoid using this unit in locations that may freeze such as an unheated garage, porch or outdoor patio.

**CLEAN:** When necessary, hand-wash the unit with a damp cloth. Do not use abrasive detergents, materials or cleaning tools.

To remove tough dirt and grime, mix mild detergent with warm water and use a soft cloth to gently scrub surfaces. Then, use a clean cloth and clean water to remove any residual detergent; if detergent. If necessary, use a soft, lint-free cloth to dry the unit.

**INSPECT:** Occasionally check the unit to ensure all components are firmly secured and polypropylene is intact.

## ! SAFETY STATEMENTS & WARNINGS !

- Keep this product on a flat, level surface.
- Do not stand or climb on any part of this unit.
- Do not exceed the weight capacity of the unit.
- Do not allow children to use this product.
- Locking the unit when adults are not present is highly recommended.
- Do not use this item in the proximity of open flame or flammable/combustible chemicals.
- Keep furniture a safe distance from high-heat sources such as air vents, heaters, and grills.
- Do not place hot items on the unit.
- Do not use harsh chemicals or abrasive materials to clean this unit.
- This product is for residential use only; institutional or commercial use will void this warranty.

**Any modification to the product or failure to follow recommended care will void the product warranty.**

*If you experience issues with assembly or the product was damaged during shipping, please contact our customer service team through one of the methods mentioned at the top of page 1.*

*Please have the item number and order information ready to expedite response time.*

## ! WARNING:

**Manufacturer and seller expressly disclaim any and all liability from personal injury, property damage or loss, whether direct or indirect, or incidental, resulting from the incorrect attachment, improper use, inadequate maintenance, or neglect of this product.**