

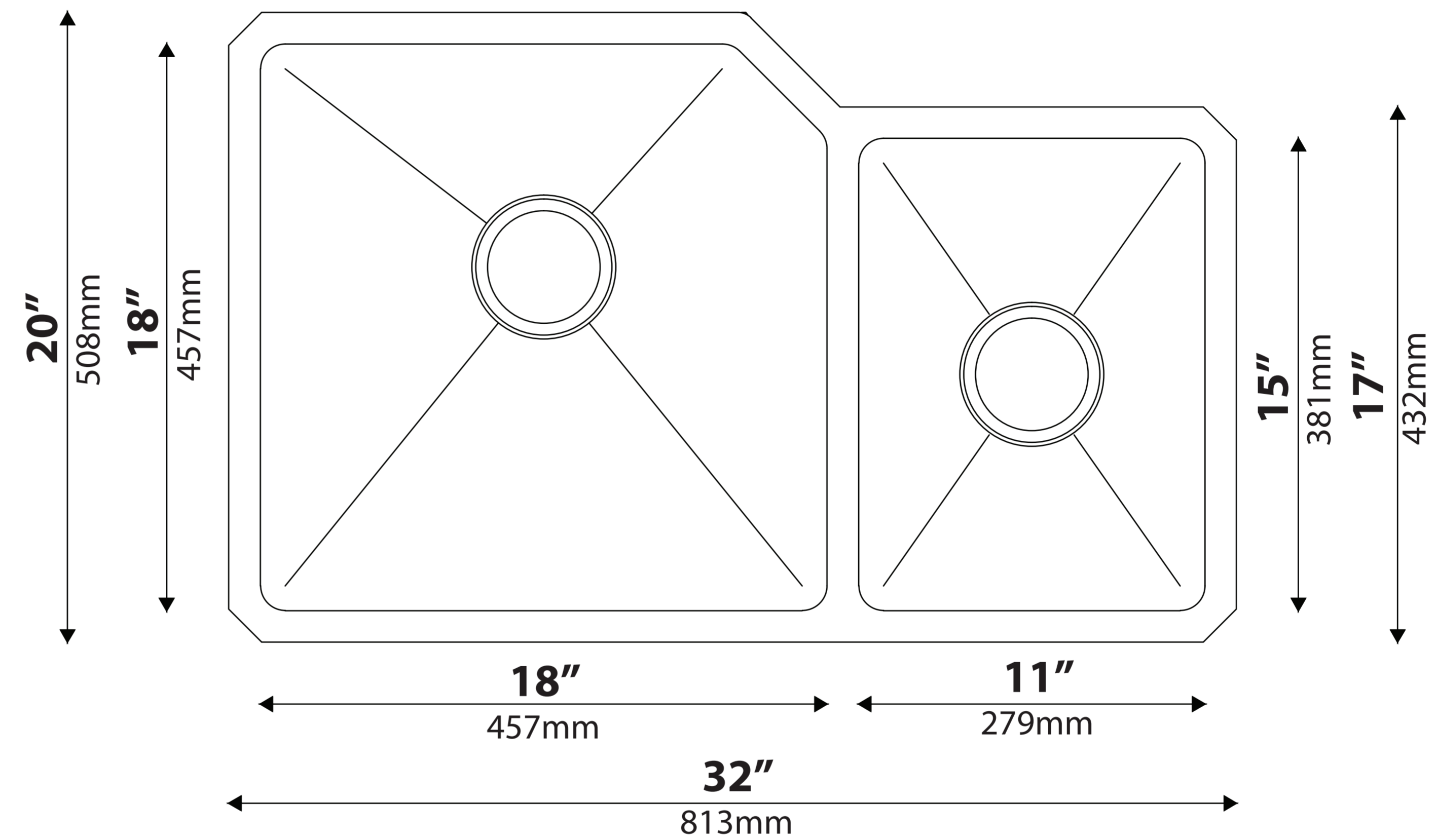
# Kräus<sup>®</sup>

www.kraususa.com

**Model No.**  
**KHU123-32**

Pro Hotline: 516.801.8955

Customer Service: 800.775.0703



**NOTE:** Cutout template is provided as a guide **ONLY** and must be checked against actual sink to verify correct fit.

Please cut along inner perforated line for negative reveal 1/8" →

Please tear solid line for zero / flushed reveal →

Please use outer perforated edge for positive reveal 3/8" →