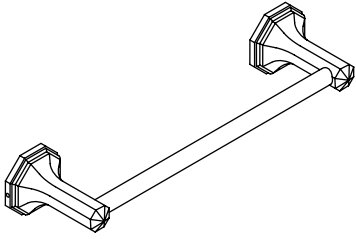


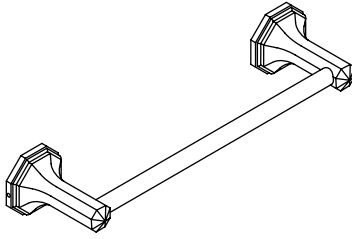
Installation Guide

Accessories

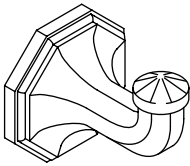
P31000-00



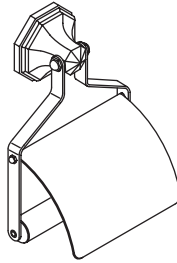
P31001-00



P31006-00



P31008-00



Français, page "Français-1"
Español, página "Español-1"

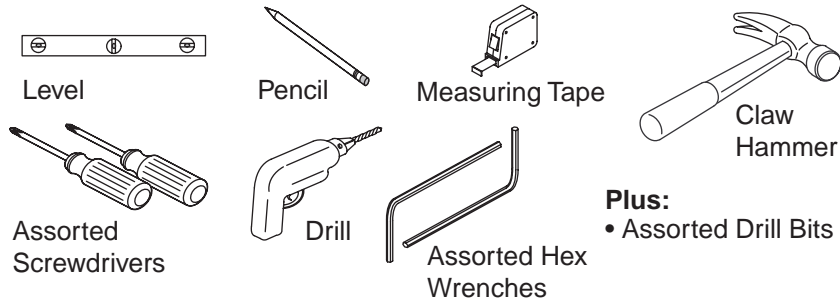
1008344-2-A

KALLISTA®

Thank You For Choosing Kallista

We appreciate your commitment to Kallista quality. Please take a few minutes to review this manual before you start installation. If you encounter any installation or performance problems, please don't hesitate to contact us. Our phone numbers and website are listed on the back cover. Thanks again for choosing Kallista.

Tools and Materials



Assorted woodworking tools may be needed to finish the wall.

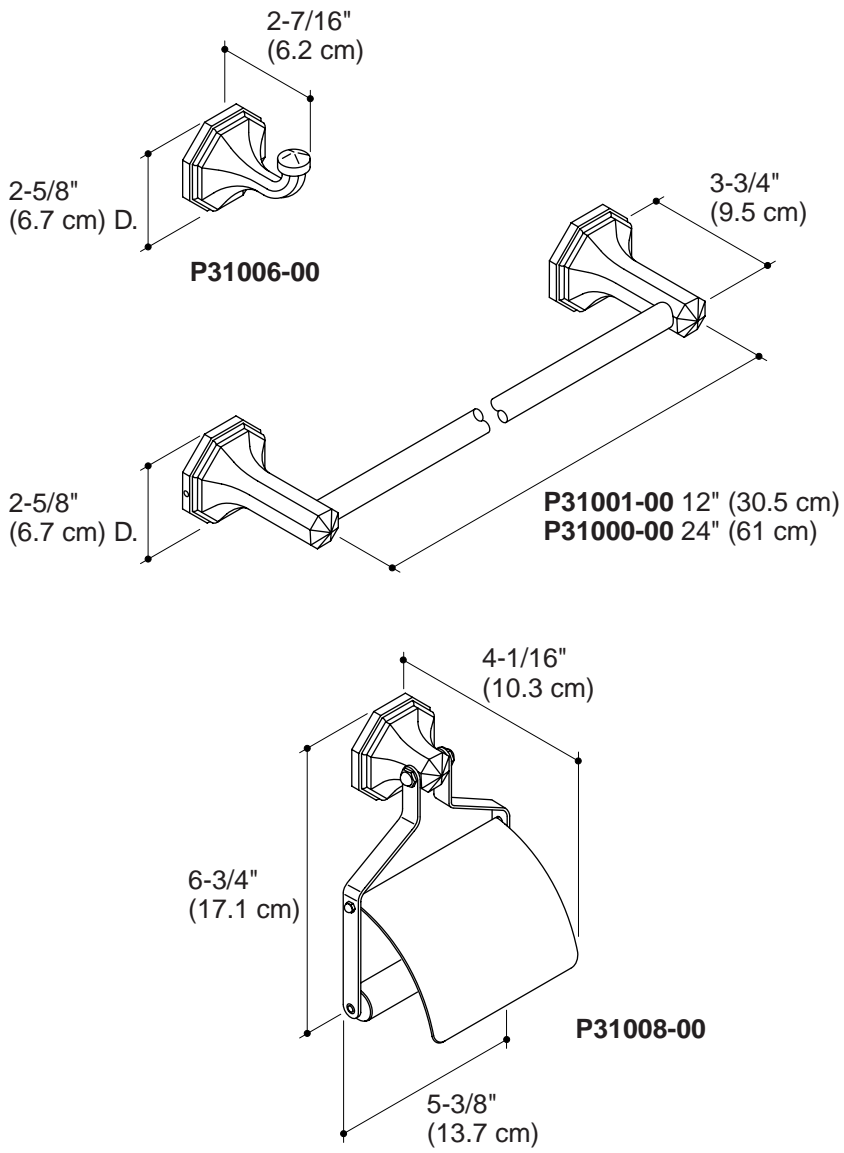
Before You Begin



DANGER: Risk of personal injury. These products are not designed or intended for use as a grab bar or support bar. Do not install any of these products in any area where they are likely to be used inadvertently as a grab bar or support bar.

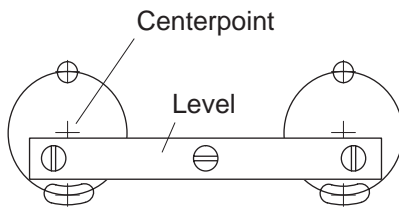
IMPORTANT! Do not overtighten the setscrew(s). Overtightening can damage the accessory.

- These products should be located and mounted to a wall stud. While it is possible to mount them to any surface, a stud mounted product will yield the best results.
- Use a level to ensure that the center lines for the wall plates are vertical where applicable and the post center lines are horizontal where applicable.
- Kallista reserves the right to make revisions in the design of products without notice, as specified in the Price Book.



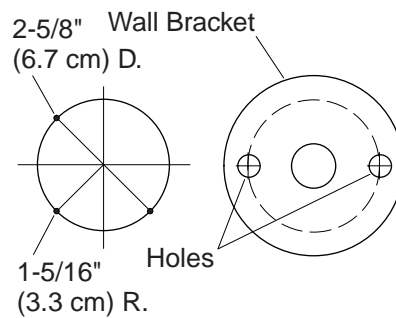
Roughing-In Information

Locate the Wall Plate



For multiple-post layout only.

Wall Bracket Hole Locations



1. Prepare the Site

IMPORTANT! Be sure all center points are level before drilling. There is no provision for later adjustment if the center points and resulting pilot holes are not level.

For Multiple-Post Accessories

NOTE: Take into account the length of the accessory components to determine the required distance between the post center points. Consult the "Roughing-In Information" section for dimensions.

- Mark the vertical and horizontal center lines for each post. Use a level to ensure that all center points are level.
- Horizontally align and mark the holes of each wall plate. Set the wall plate aside.

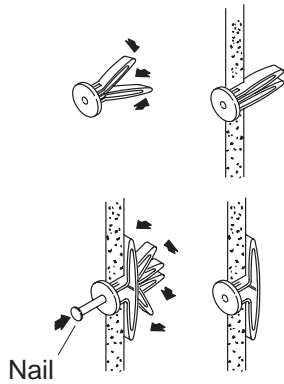
For Single-Post Accessories

- Mark the vertical and horizontal center lines for the post. Consult the "Roughing-In Information" section for dimensions.
- Horizontally align and mark the holes of the wall plate. Set the wall plate aside.

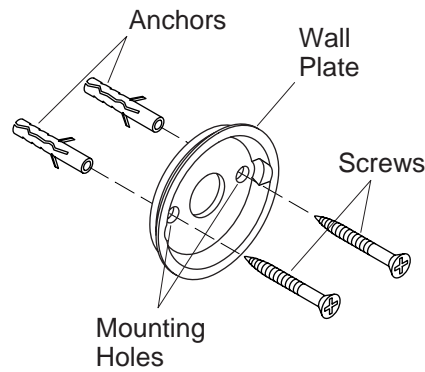
For All Accessories

- Select a drill and 5/16" drill bit appropriate for the wall material you will be drilling through.
- Carefully drill a 5/16" hole at all marked pilot hole locations.

Install the Anchors



Install the Wall Plate



2. Install the Anchors

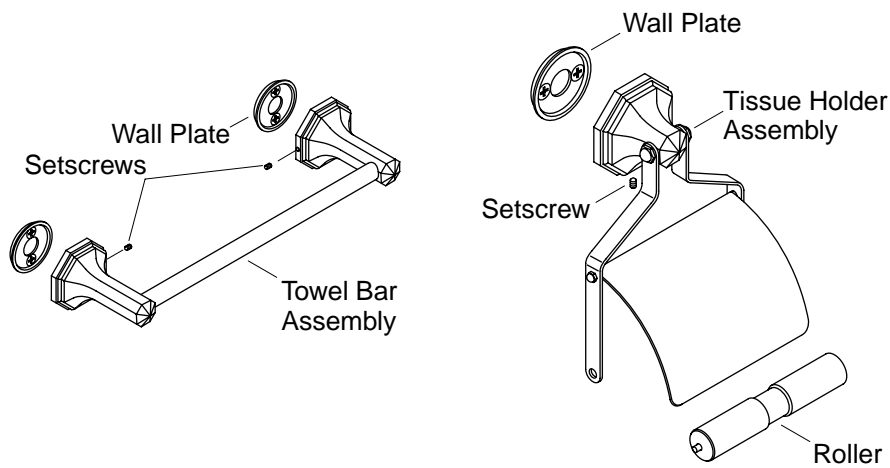
NOTE: You may need to disassemble some of the accessories. Some accessories will be packed with the wall plate installed in the post. Loosen the setscrew and remove the wall plate if needed.

- Press and hold the legs of a wall anchor together, then insert the wall anchor legs into the hole. Insert all wall anchors into the pre-drilled mounting holes.
- Carefully tap each wall anchor into the finished surface until flush.

NOTE: If the wall anchor was inserted into a space between the studs, it will be necessary to spread the wall anchor legs. Insert a thin, long object (such as a finishing nail) into the wall anchor hole to spread the anchor legs.

3. Install the Wall Plate

- Horizontally align the mounting holes on the wall plate with the installed anchors, as shown.
- Secure the wall plate with the supplied screws.
- Repeat this procedure at each wall plate location.

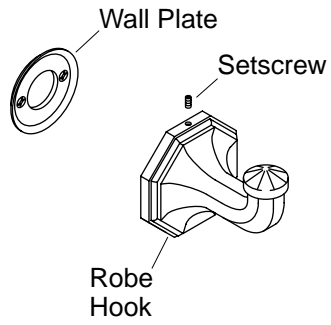


4. Install the Towel Bar

- Partially thread a setscrew into each post.
- Align the towel bar assembly over the wall plates.
- Tighten the setscrews. Do not overtighten.

5. Install the Tissue Holder

- Partially thread a setscrew into the post of the tissue holder assembly.
- Align the tissue holder assembly over the wall plate.
- Tighten the setscrew. Do not overtighten.
- Insert the roller into the tissue holder assembly.



6. Install the Robe Hook

- Partially thread a setscrew into the bottom of the robe hook.
- Align the robe hook post over the wall plate.
- Tighten the setscrew. Do not overtighten.