

TO GET YOUR BRADFORD WHITE REPLACEMENT PARTS

1. USE THE ILLUSTRATION TO FIND THE PART YOU NEED
2. FIND YOUR MODEL WATER HEATER NUMBER ON THE FOLLOWING PAGES
3. REFER TO THE PARTS LISTINGS WITHIN THE COLUMNS
4. IF THE PART NUMBER IS HIGHLIGHTED IN YELLOW YOU CAN DIRECTLY CLICK AND GO THE SHOPPING CART
5. IF THE PART IS NOT DIRECTLY LINKED FIRST USE THE QUICK SEARCH BOX AND IF IT STILL IS NOT FOUND USE THE CONTACT US FORM AND SOMEONE WILL RESPOND WITHIN HOURS.



BRADFORD WHITE®

W A T E R H E A T E R S

**RESIDENTIAL AND LIGHT DUTY COMMERCIAL
REPLACEMENT PARTS LIST**

**“MI” Models, “M(1,2)XR” Models, “M4” Models
and Light Duty 50T65, 65T65**



(MI40T Shown)

BRADFORD WHITE
ICON
System™

DEFENDER
SAFETY SYSTEM®

Includes Hydrojet®
Total Performance System

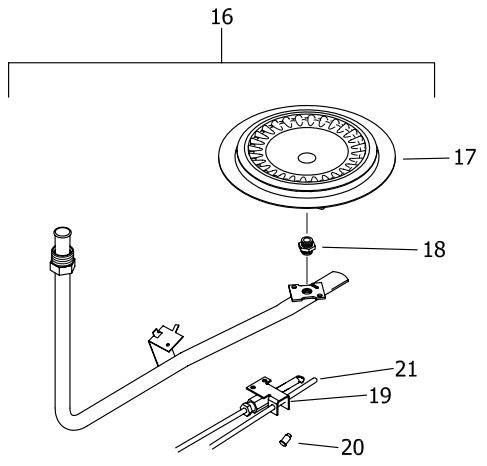
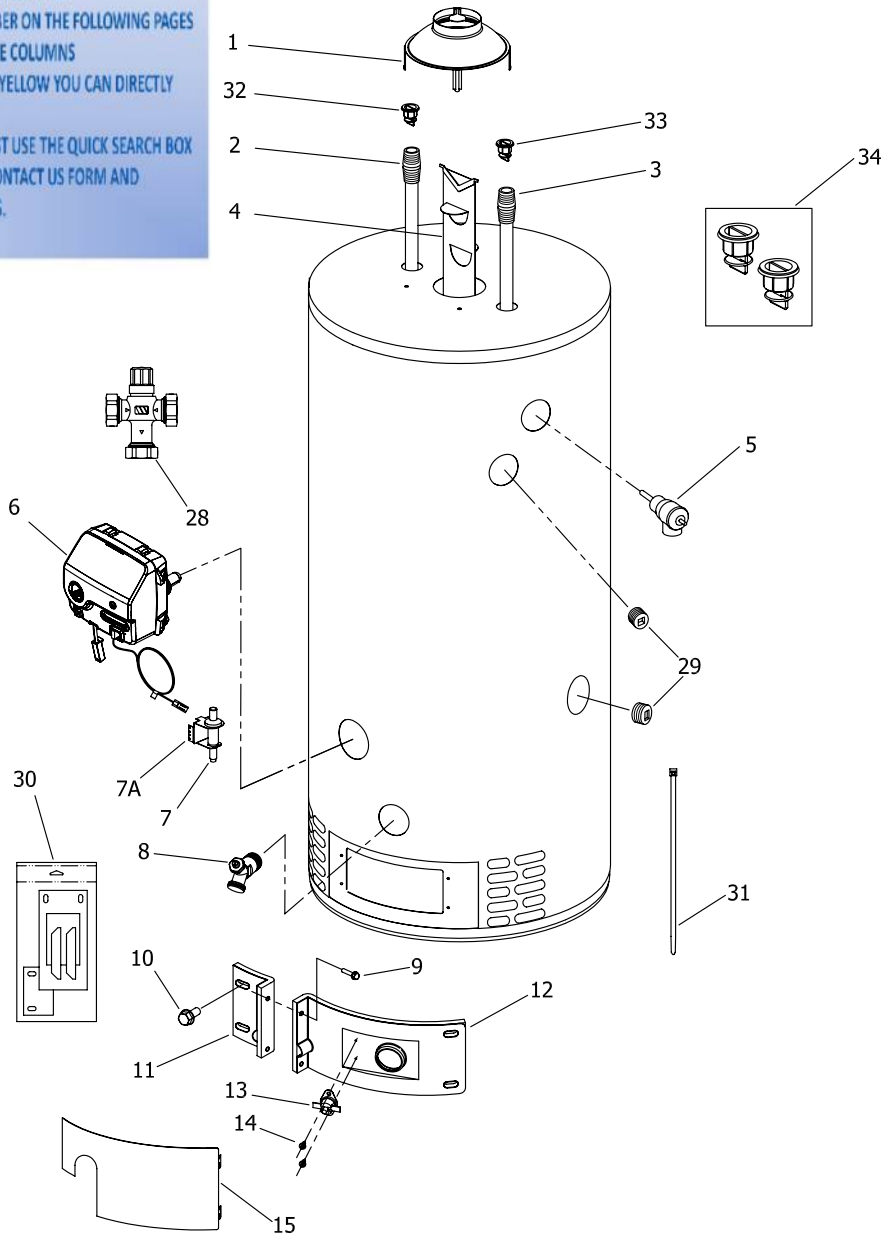
**Effective: September, 2009
ECO 7439**

**NOTE: BOTH MODEL AND SERIAL
NUMBERS ARE REQUIRED FOR
ORDERING REPLACEMENT PARTS**

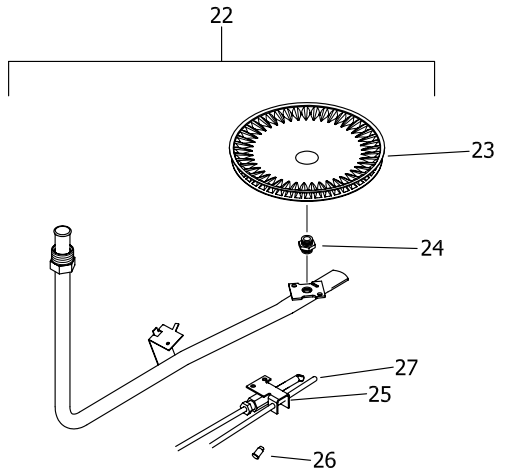
Dimensions and specifications
subject to change without notice.

TO GET YOUR BRADFORD WHITE REPLACEMENT PARTS

1. USE THE ILLUSTRATION TO FIND THE PART YOU NEED
2. FIND YOUR MODEL WATER HEATER NUMBER ON THE FOLLOWING PAGES
3. REFER TO THE PARTS LISTINGS WITHIN THE COLUMNS
4. IF THE PART NUMBER IS HIGHLIGHTED IN YELLOW YOU CAN DIRECTLY CLICK AND GO THE SHOPPING CART
5. IF THE PART IS NOT DIRECTLY LINKED FIRST USE THE QUICK SEARCH BOX AND IF IT STILL IS NOT FOUND USE THE CONTACT US FORM AND SOMEONE WILL RESPOND WITHIN HOURS.



NATURAL GAS (BN) BURNER ASSEMBLY



LP GAS (SX) BURNER ASSEMBLY

LP GAS (SX) BURNER ASSEMBLY TO REPLACE LP GAS (CX) BURNER ASSEMBLY
ON ALL MODELS EXCEPT 75 & 100 GAL. MODELS



TO GET YOUR BRADFORD WHITE REPLACEMENT PARTS

1. USE THE ILLUSTRATION TO FIND THE PART YOU NEED
2. FIND YOUR MODEL WATER HEATER NUMBER ON THE FOLLOWING PAGES
3. REFER TO THE PARTS LISTINGS WITHIN THE COLUMNS
4. IF THE PART NUMBER IS HIGHLIGHTED IN YELLOW YOU CAN DIRECTLY CLICK AND GO TO THE SHOPPING CART
5. IF THE PART IS NOT DIRECTLY LINKED FIRST USE THE QUICK SEARCH BOX AND IF IT STILL IS NOT FOUND USE THE CONTACT US FORM AND SOMEONE WILL RESPOND WITHIN HOURS.

Item	Description	Model MI30T*F(BN,CX,SX)	Model MI30S*F(BN,CX,SX)	Model MI303T*F(BN,CX,SX)	Model MI40T*F(BN,CX,SX)	Model MI403S*F(BN,CX,SX)
1	Draft Hood	243-45787-00	243-45787-00	243-45787-00	243-45787-00	243-45787-00
2	Hot Water Outlet Anode Magnesium ▲	224-32731-95	224-32731-97	224-32731-82	224-32731-95	224-32731-81
	Hot Water Outlet Aluminum ▲	224-32999-24	224-32999-25	224-32999-06	224-32999-24	224-32999-31
	Hot Water Outlet A420 Aluminum ▲	224-45147-02	224-45147-02	224-45147-03	224-45147-02	224-45147-04
3	Cold Water Inlet Dip Tube Polypropylene▲▲	229-39625-23	229-39625-24	229-39625-07	229-39625-25	229-39625-03
	Cold Water Inlet Polysulfone (NC Code)▲▲	229-39628-26	229-39628-27	229-39628-07	229-39628-28	229-39628-03
4	Flue Baffle	243-44639-00	243-45226-00	243-45224-00	243-42283-00	243-45223-00
5	T&P Relief Valve	230-32920-01	230-32920-01	230-32920-01	230-32920-01	230-32920-01
6	Gas Control Direct Replacement Natural Gas	239-47463-01	239-47463-01	239-47463-01	239-47463-01	239-47463-01
	Gas Control Direct Replacement LP Gas	239-47465-01	239-47465-01	239-47465-01	239-47465-01	239-47465-01
	Gas Control Universal Replacement Natural Gas	239-47851-00	239-47851-00	239-47851-00	239-47851-00	239-47851-00
	Gas Control Universal Replacement LP Gas	239-47856-00	239-47856-00	239-47856-00	239-47856-00	239-47856-00
7	Piezo Igniter (White Rodgers/Robertshaw)	239-43448-00	239-43448-00	239-43448-00	239-43448-00	239-43448-00
7A	Piezo Bracket (White Rodgers)	239-46157-02	239-46157-02	239-46157-02	239-46157-02	239-46157-02
	Piezo Bracket (Robertshaw)	239-43449-00	239-43449-00	239-43449-00	239-43449-00	239-43449-00
8	Brass Drain Valve	265-42351-02	265-42351-02	265-42351-02	265-42351-02	265-42351-02
9	Screw #8-18 x 3/4 HWH	239-44195-00	239-44195-00	239-44195-00	239-44195-00	239-44195-00
10	Screw #10-12 x 3/4 HWH	239-44113-00	239-44113-00	239-44113-00	239-44113-00	239-44113-00
11	Left Side Inner Door Complete	239-43968-14	239-43968-16	239-43968-14	239-43968-16	239-43968-18
12	Nat. Gas Right Side Inner Door Complete	239-43963-02	239-43963-03	239-43963-02	239-43963-05	239-43963-07
	LP Gas Right Side Inner Door Complete	239-43963-02	239-43963-03	239-43963-01	239-43963-03	239-43963-07
13	Nat. Gas Resettable Thermal Switch	239-43676-03	239-43676-01	239-43676-03	239-43676-03	239-43676-02
	LP Gas Resettable Thermal Switch	239-43676-03	239-43676-01	239-43676-02	239-43676-01	239-43676-02
14	Screw #6-20 x 3/8 PHCR	239-43967-00	239-43967-00	239-43967-00	239-43967-00	239-43967-00
15	Outer Door	243-43962-00	243-43962-00	243-43962-00	243-43962-00	243-43962-00
Natural Gas (BN) Burner Assembly						
16	Nat Gas Burner Assembly Complete***	265-47439-02-36	265-47439-04-38	265-47439-02-32	265-47439-04-32	265-47439-07-32
17	Nat. Gas (BN) Burner**	228-42506-00	228-42506-00	228-42506-00	228-42506-00	228-42506-00
18	Nat. Gas (BN) Main Burner Orifice**	234-41034-36	234-41034-38	234-41034-32	234-41034-32	234-41034-32
	Nat. Gas (BN) High Altitude 2001 Ft. to 5000 Ft.**	234-41034-39	234-41034-41	234-41034-36	234-41034-36	234-41034-36
	Nat. Gas (BN) High Altitude 5001 Ft. to 8000 Ft.**	234-41034-41	234-41034-43	234-41034-38	234-41034-38	234-41034-38
	Nat. Gas (BN) High Altitude Over 8000 Ft.**	234-41034-43	234-41034-43	234-41034-38	234-41034-38	234-41034-38
19	Nat. Gas Pilot Assembly (White Rodgers)**	233-46277-04	233-46277-04	233-46277-04	233-46277-04	233-46277-04
	Nat. Gas Pilot Assembly (Honeywell)**	233-47845-05	233-47845-05	233-47845-05	233-47845-05	233-47845-05
20	Nat. Gas Pilot Orifice (White Rodgers)**	234-46502-05	234-46502-05	234-46502-05	234-46502-05	234-46502-05
21	Thermocouple (White Rodgers)**	233-46501-15	233-46501-15	233-46501-15	233-46501-15	233-46501-15
LP Gas (SX) Titanium Stabilized Stainless Steel Burner Assembly (Replacement for LP Gas (CX) Cast Iron Burner)						
22	LP Gas Burner Assembly Complete***	265-47440-02-60	265-47440-05-54	265-47440-02-52	265-47440-05-52	265-47440-11-50
23	LP Gas (SX) Burner**	228-46964-00	228-46964-00	228-46964-00	228-46964-00	228-46964-00
24	LP Gas (SX) Main Burner Orifice**	234-47064-60	234-47064-54	234-47064-52	234-47064-52	234-47064-50
	LP Gas (SX) High Altitude 2001 Ft. to 5000 Ft.**	234-47064-54	234-47064-54	234-47064-53	234-47064-53	234-47064-51
	LP Gas (SX) High Altitude 5001 Ft. to 8000 Ft.**	234-47064-54	234-47064-54	234-47064-54	234-47064-54	234-47064-52
	LP Gas (SX) High Altitude Over 8000 Ft.**	234-47064-54	234-47064-54	234-47064-54	234-47064-54	234-47064-53
25	LP Gas Pilot Assembly (White Rodgers)**	233-46278-03	233-46278-03	233-46278-03	233-46278-03	233-46278-03
	LP Gas Pilot Assembly (Honeywell)**	233-47846-05	233-47846-05	233-47846-05	233-47846-05	233-47846-05
26	LP Gas Pilot Orifice (White Rodgers)**	234-46502-02	234-46502-02	234-46502-02	234-46502-02	234-46502-02
27	Thermocouple (White Rodgers)**	233-46501-15	233-46501-15	233-46501-15	233-46501-15	233-46501-15
28	ASSE Approved Mixing Valve (Optional)	239-43740-01	239-43740-01	239-43740-01	239-43740-01	239-43740-01
29	3/4 NPT Plug	---	---	---	---	---
30	Inner Door Gasket Kit	239-44078-00	239-44078-00	239-44078-00	239-44078-00	239-44078-00
31	Wire Tie	239-44328-00	239-44328-00	239-44328-00	239-44328-00	239-44328-00
32	Heat Trap Insert (Outlet)	239-45167-00	239-45167-00	239-45167-00	239-45167-00	239-45167-00
33	Heat Trap Insert (Inlet)	239-45073-00	239-45073-00	239-45073-00	239-45073-00	239-45073-00
34	Kit-Heat Trap Insert	265-45420-00	265-45420-00	265-45420-00	265-45420-00	265-45420-00
-	LP to Natural Gas Conversion Kit (Norm Alt.)	265-45712-01	265-45712-02	265-45712-03	265-45712-04	265-45712-05
-	LP to Natural Gas Conversion Kit (High Alt.)	265-45712-13	265-45712-14	265-45712-15	265-45712-16	265-45712-17

*Applies to all warranties

**Inner door gasket kit recommended

***Ordering a complete burner assembly may increase delivery time. Please order the specific component required for the quickest delivery.

▲ Order with item 32

▲▲ Order with item 33