



# JB1710

## Underwater Junction Box

### HIGHLIGHTS

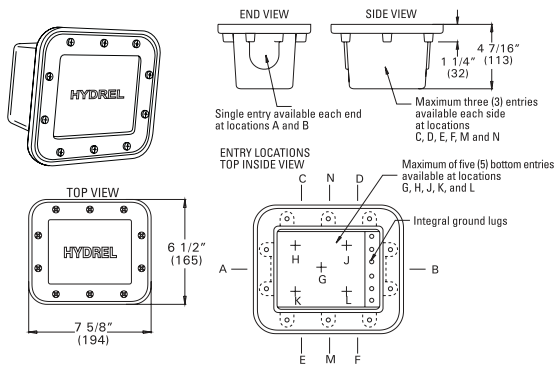


- Designed for connection of supply cords from underwater fixtures and service conduits
- Heavy wall cast bronze
- Stainless steel hardware
- Bottom and side entries available
- 62 cubic inches

#### Specifications

Length:	7-5/8" 194 mm
Width:	6-1/2" 165 mm
Height:	4-7/16" 113 mm

### DIMENSIONS



## ORDERING INFORMATION

EXAMPLE: JB1710 34A 34B 12C 12D 34E 12F 1G 1H 34L 34M 34N

Model	Entries - End <sup>4</sup>	Entries - Side <sup>4</sup>	Entries - Side <sup>4</sup>	Entries - Bottom <sup>4</sup>	Entries - Side <sup>4</sup>
JB1710	12A 1/2" NPT	12C 1/2" NPT	12E 1/2" NPT	12G 1/2" NPT	12K 1/2" NPT
	34A 3/4" NPT	34C 3/4" NPT	34E 3/4" NPT	34G 3/4" NPT	34K 3/4" NPT
	1A 1" NPT	1C <sup>1</sup> 1" NPT	1E <sup>2</sup> 1" NPT	1G <sup>3</sup> 1" NPT	1K <sup>3</sup> 1" NPT
	16A PG16	16C PG16	16E PG16	16G PG16	16K PG16
	20A M20	20C M20	20E M20	20G M20	20K M20
	12B 1/2" NPT	12D 1/2" NPT	12F 1/2" NPT	12H 1/2" NPT	12L 1/2" NPT
	34B 3/4" NPT	34D 3/4" NPT	34F 3/4" NPT	34H 3/4" NPT	34L 3/4" NPT
	1B 1" NPT	1D <sup>1</sup> 1" NPT	1F <sup>2</sup> 1" NPT	1H <sup>3</sup> 1" NPT	1L <sup>3</sup> 1" NPT
	16B PG16	16D PG16	16F PG16	16H PG16	16L PG16
	20B M20	20D M20	20F M20	20H M20	20L M20
				12J 1/2" NPT	
				34J 3/4" NPT	
				1J <sup>3</sup> 1" NPT	
				16J PG16	
				20J M20	
					12M 1/2" NPT
					34M 3/4" NPT
					1M <sup>2</sup> 1" NPT
					16M PG16
					20M M20
				12N 1/2" NPT	
				34N 3/4" NPT	
				1N <sup>1</sup> 1" NPT	
				16N PG16	
				20N M20	

**Notes:**

- 1 For two (2) 1" NPT in side use locations C and D only.
- 2 For two (2) 1" NPT in side use locations E and F only.
- 3 Maximum of three (3) 1" NPT in bottom.
- 4 PG16 and M20 drillings are for international applications.

Potting Compound and Cord seals are sold separately

## SPECIFICATIONS AND FEATURES

**MATERIAL:** Heavy wall cast bronze. Natural finish

**VOLUME:** 62 cubic inches (1,016 cu.cm.)

**GASKET:** Silicone.

**CONDUIT ENTRIES:** Bottom and side entries available. Special drilling also available upon request.

**FASTENERS:** Stainless Steel.

**ACCESSORIES:** Re-enterable potting compound and cord seals available separately.

**LISTING:** UL, CSA

**BUY AMERICAN ACT:** This product is assembled in the USA and meets the Buy America(n) government procurement requirements under FAR, DFARS and DOT regulation. Please refer to [www.acuitybrands.com/resources/buy-american](http://www.acuitybrands.com/resources/buy-american) for additional information.

## RECOMMENDED ACCESSORIES FOR JUNCTION BOX



**PC21** (FILLS 35 CU. IN.)  
**PC2112** (FILLS 20 CU. IN.)

### RE-ENTERING POTTING COMPOUND

- PC21 is a re-enterable potting compound which pours yellow and cures transparent so connections are easily located. It meets N.E.C. requirements for potting underwater junction boxes.

#### MODEL

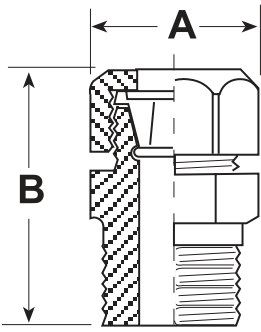
PC21	35 cubic inches
PC2112	20 cubic inches

#### SPECIFICATIONS AND FEATURES

**MATERIAL:** Shall be of urethane formulation.

**CURE TIME:** Shall be 20 minutes at 73°F and 80 minutes at 20°F.

**PACKAGING:** Shall be unipak, allowing for fast mixing of pre-measured portion and is poured directly from container.



### CORD SEALS - WATERTIGHT CORD ENTRANCE SEAL

- Constructed of brass with neoprene grommet, these seals are for use in underwater junction boxes as fixture cord entrance seals with type ST & SO water-resistant cord.

#### MODEL

CS14302	18-3 cord, 1/2" opening
CS14303	14-3 cord, 3/4" opening
CS14304	18-3 cord, 3/4" opening
CS143022	16-3 cord, 1/2" opening
CS143032	12-3 cord, 3/4" opening
CS143033	10-3 cord, 3/4" opening

#### SPECIFICATIONS AND FEATURES

**BODY AND NUT:** Brass

**GROMMET:** Neoprene

CAT. #	A	B
CS14302	7/8	1 1/2
CS14303	1 1/4	1 3/4
CS14304	1 1/4	1 3/4
CS143022	7/8	1 1/2
CS143032	1 1/4	1 3/4
CS143033	1 1/4	1 3/4