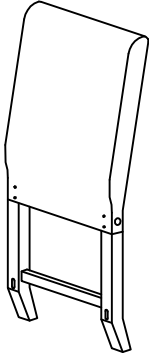
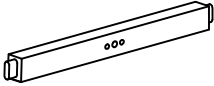
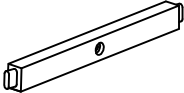
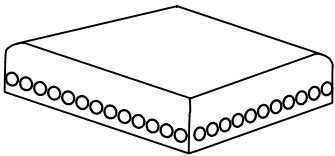
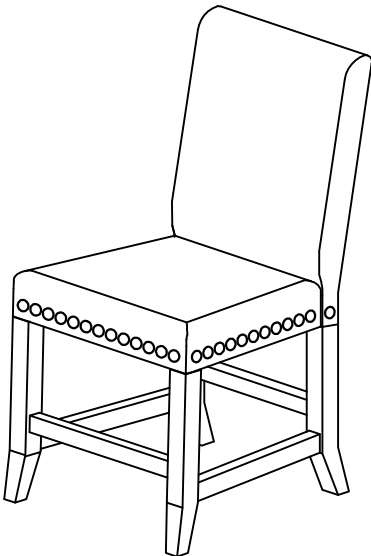
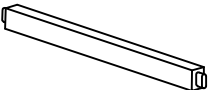
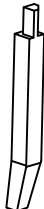
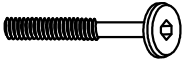
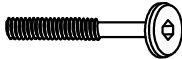






YOSEMITE UPHOLSTERED STOOL ASSEMBLY INSTRUCTIONS



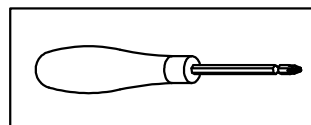
<p>A. BACK FRAME 1 PC</p> 	<p>F. LEFT STRETCHER 1 PC</p> 	<p>G. RIGHT STRETCHER 1 PC</p> 
<p>B. SEAT FRAME 1 PC</p> 	<p>YOSEMITE UPHOLSTERED STOOL ASSEMBLED</p> 	
<p>C. FRONT STRETCHER 1 PC</p> 		
<p>D. LEFT LEG 1 PC</p> 		

HARDWARE ENCLOSED IN BOX

<p>1 ALLEN BOLT M6 x 50 MM 04 PCS</p>	<p>2 ALLEN BOLT M6 x 70 MM 04 PCS</p>	<p>3 SPRING WASHER M9/11 08 PCS</p>	<p>4 WASHER M9/22 08 PCS</p>	<p>5 SCREW M4 x 40 MM 06 PCS</p>
				
<p>6 ALLEN KEY N4 01 PC</p>				
				

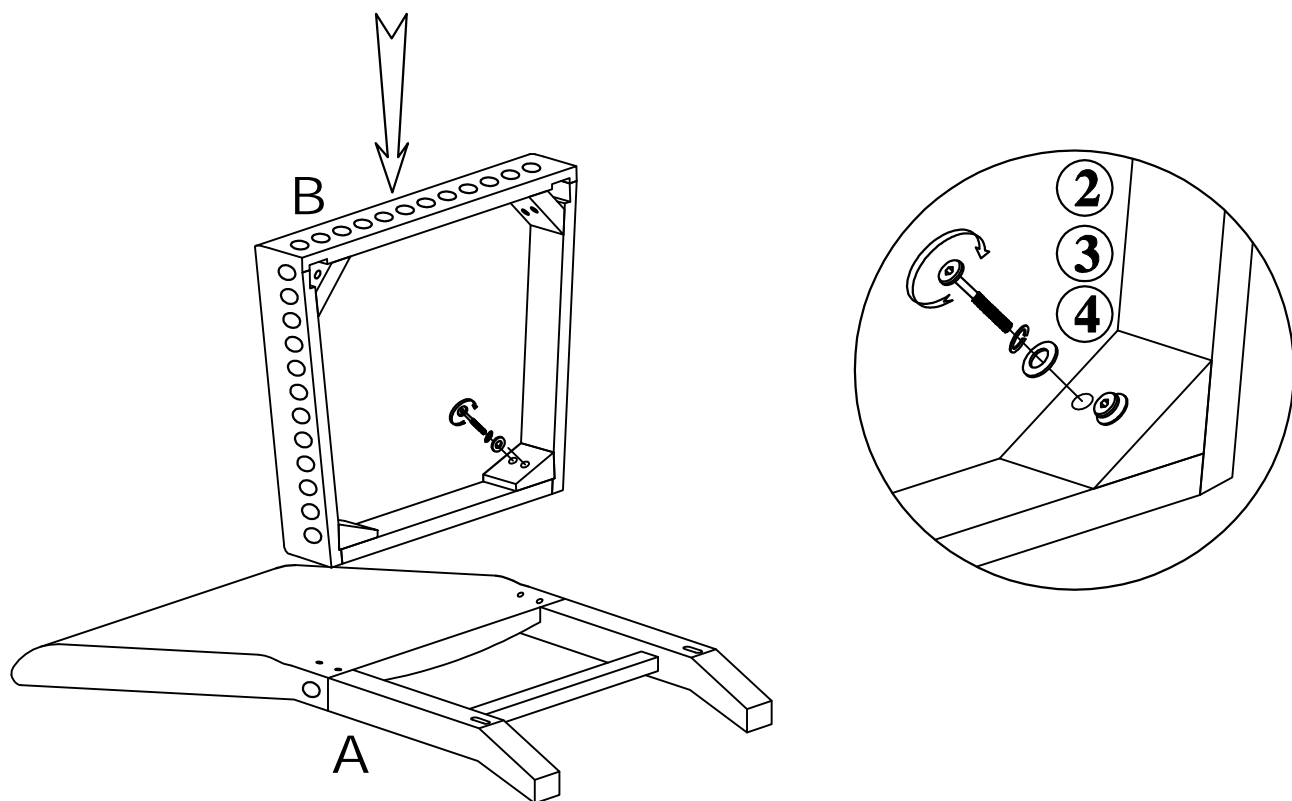
TOOL REQUIRED

PHILLIPS HEAD SCREW
DRIVER NOT PROVIDED



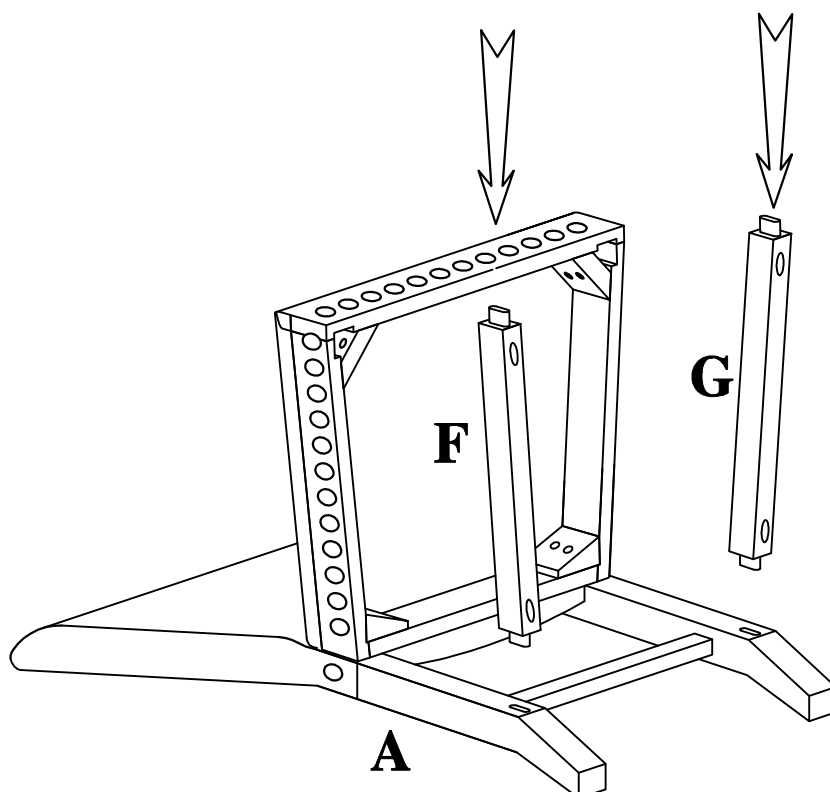
STEP 1:

Attach seat frame (B) to back frame (A) with bolts (2), spring washers (3) and flat washers (4).



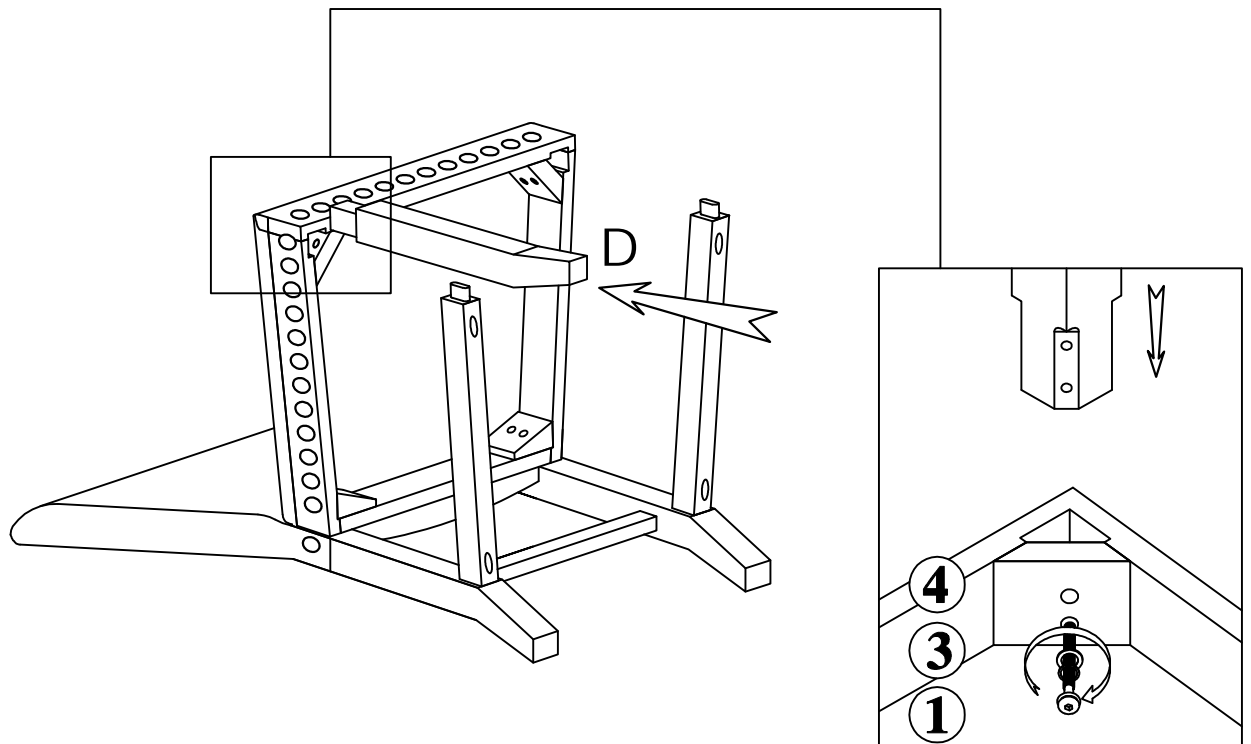
STEP 2:

Attach the stretchers (F)&(G) to the back frame (A).



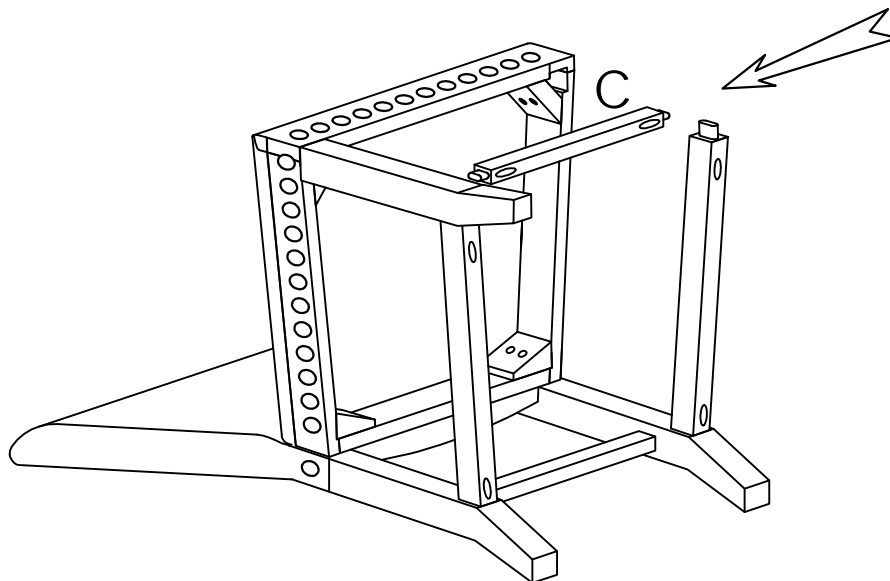
STEP 3:

Insert the left leg (D) and connect with bolt (1), spring washer (3), flat washer (4).



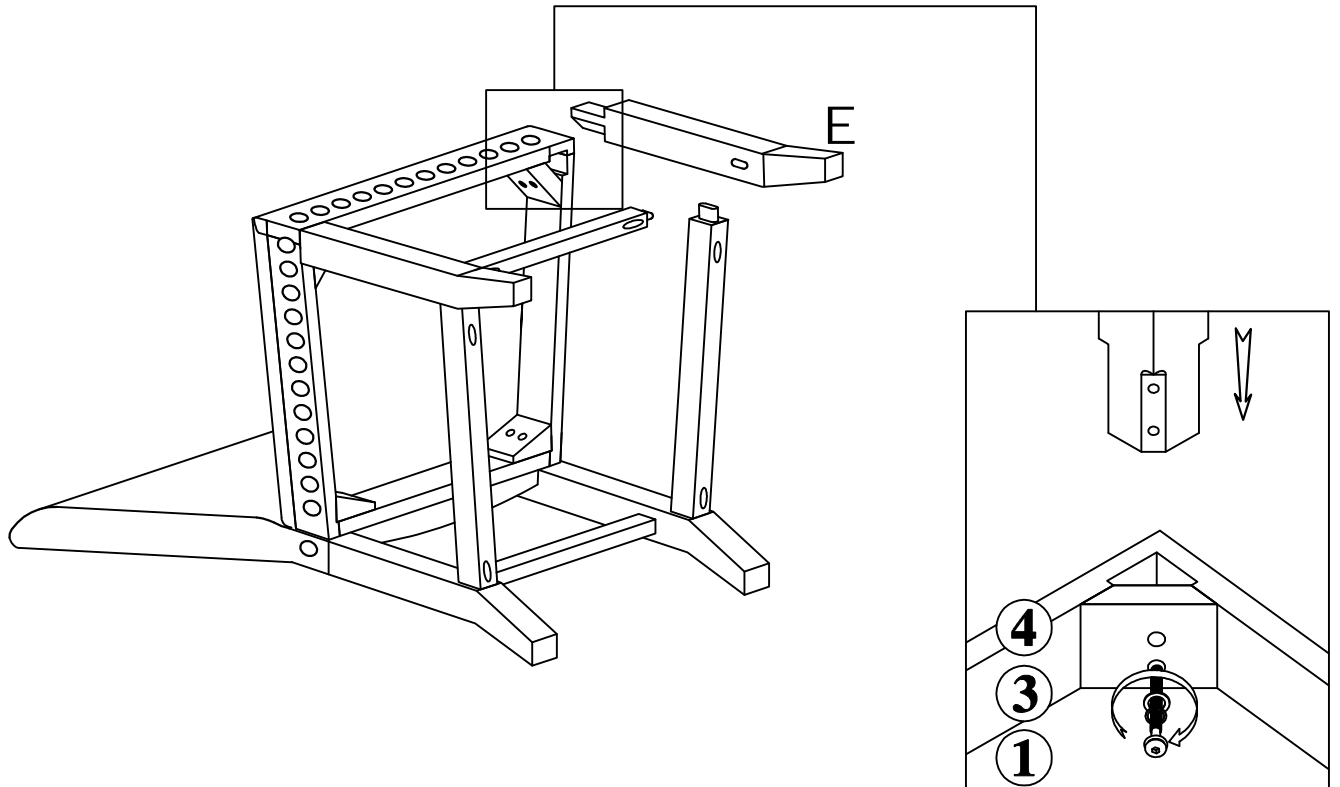
STEP 4:

Connect front stretcher (C) to left leg.



STEP 5:

Insert the right leg (E) and connect with bolt (1), spring washer (3), flat washer (4).



STEP 6:

Connect the stretchers with screws (5).
Assembly complete.

