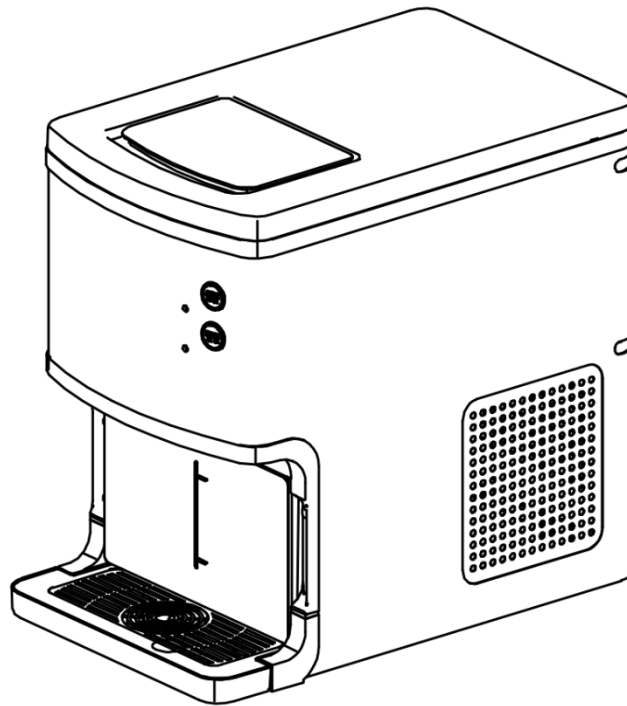


<b>Model / Modelo / Modelé:</b>	<b>NG30</b>
<b>NUGGET ICE MAKER MÁQUINA DE HIELO EN PEPITAS MACHINE À PÉPITES DE GLACE</b>	<b>INSTRUCTION MANUAL MANUAL DE INSTRUCCIONES MANUEL D'INSTRUCTIONS</b>



**BEFORE USE, PLEASE READ AND FOLLOW ALL SAFETY RULES AND OPERATING INSTRUCTIONS.**

The Legacy Companies has a policy of continuous improvement on its products and reserves the right to change materials and specifications without notice.

---

**The Legacy Companies  
3355 Enterprise Ave  
Weston, FL 33331  
[www.TheLegacyCompanies.com](http://www.TheLegacyCompanies.com)**

---

## TABLE OF CONTENTS

Ice-Maker Safety	3
Important Safeguides	4
Help Us Help You	5
Parts and Features	6
Important Safety Instructions	7
Installation Instructions	7
Before Using Your Appliance	7
Installation of Your Appliance	7
Electrical Connection	8
Operating Your Appliance	9
Control Panel Description	9
Operating Instructions	9
Getting Ice from Ice-bin	10
Care and Maintenance	11
Cleaning Your Appliance	11
Space Requirements	11
Power Failure	11
Troubleshooting Guide	12
Service for Your Appliance	12
Warranty	13
Instrucciones en Español	TBD
Instructions en Français	TBD
Registration Information and Registration Card	Last Page

## ICE MAKER SAFETY

### YOUR SAFETY AND THE SAFETY OF OTHERS ARE VERY IMPORTANT.

We have provided many important safety messages in this manual for your appliance. Always read and obey all safety messages.



This is the safety alert symbol. This symbol alerts you to Potential hazards that can kill or injure you and others. All safety messages will follow the safety alert symbol And either the words "DANGER", "WARNING" or "CAUTION".



Danger means that failure to heed this safety statement may result in severe personal injury or death.



Warning means that failure to heed this safety statement may result in extensive product damage, serious personal injury, or death.



Caution means that failure to heed this safety statement may result in minor or moderate personal injury, property or equipment damage.

All safety messages will alert you to know what potential hazard is, tell you how to reduce the chance of injury, and let you know what can happen if the instructions are not followed.



#### PROP. 65 WARNING FOR CALIFORNIA RESIDENTS

##### **WARNING:**

Cancer And Reproductive Harm

[www.p65warnings.ca.gov](http://www.p65warnings.ca.gov)

## IMPORTANT SAFEGUIDES



Before the appliance is used, it must be properly positioned and installed as described in this manual, so read the manual carefully. To reduce the risk of fire, electrical shock or injury when using the appliance, follow basic precaution, including the following:

### DANGER

- Plug into a grounded 3-prong outlet, do not remove grounding prong, do not use an adapter, and do not use an extension cord.
- It is recommended that a separate circuit, serving only your appliance be provided. Use receptacles that cannot be turned off by a switch or pull chain.
- Never clean appliance parts with flammable fluids. These fumes can create a fire hazard or explosion. And do not store or use gasoline or other flammable vapors and liquids in the vicinity of this or any other appliance. The fumes can create a fire hazard or explosion.
- Before proceeding with cleaning and maintenance operations, make sure the power line of the unit is disconnected.
- Do not connect or disconnect the electric plug when your hands are wet.
- Unplug the appliance or disconnect power before cleaning or servicing. Failure to do so can result in electrical shock or death.
- Do not attempt to repair or replace any part of your appliance unless it is specifically recommended in this manual. All other servicing should be referred to a qualified technician.

### WARNING

FOLLOW WARNING CALL OUTS BELOW ONLY WHEN APPLICABLE TO YOUR MODEL

- Use two or more people to move and install appliance. Failure to do so can result in back or other injury.
- To ensure proper ventilation for your appliance, the front of the unit must be completely unobstructed. Choose a well-ventilated area with temperatures above 60°F (16°C) and below 90°F (32°C). This unit must be installed in an area protected from the element, such as wind, rain, water spray or drips.
- The appliance should not be located next to ovens, grills or other sources of high heat.
- The appliance must be installed with all electrical connections in accordance with state and local codes. A standard electrical supply (115 v ac only, 60 hz), properly grounded in accordance with the national electrical code and local codes and ordinances is required.
- Do not kink or pinch the power supply cord of appliance.
- The fuse (or circuit breaker) size should be 15 amperes.
- It is important for the appliance to be leveled in order to work properly. You may need to make several adjustments to level it.
- Check for leaks after connection.
- Never allow children to operate, play with the appliance.
- Although the unit has been tested at the factory, due to long-term transit and storage, the first batch of cubes must be discarded.
- Do not use solvent-based cleaning agents or abrasives on the interior. These cleaners may damage or discolor the interior.
- Do not use this apparatus for other than its intended purpose.

---

## Help us help you...

### Read this guide carefully.

It is intended to help you operate and maintain your new ice maker properly.

Keep it handy to answer your questions.

If you don't understand something or you need more help, please call:

**The Legacy Companies**  
**Customer Care**  
**800-220-5570**

Keep proof of original purchase date (such as your sales slip) with this guide to establish the warranty period.

### Write down the model and serial numbers.

You will find them on a plate located on the rear wall of the ice maker.

Please write these numbers here:

\_\_\_\_\_

Date of purchase

\_\_\_\_\_

Model number

\_\_\_\_\_

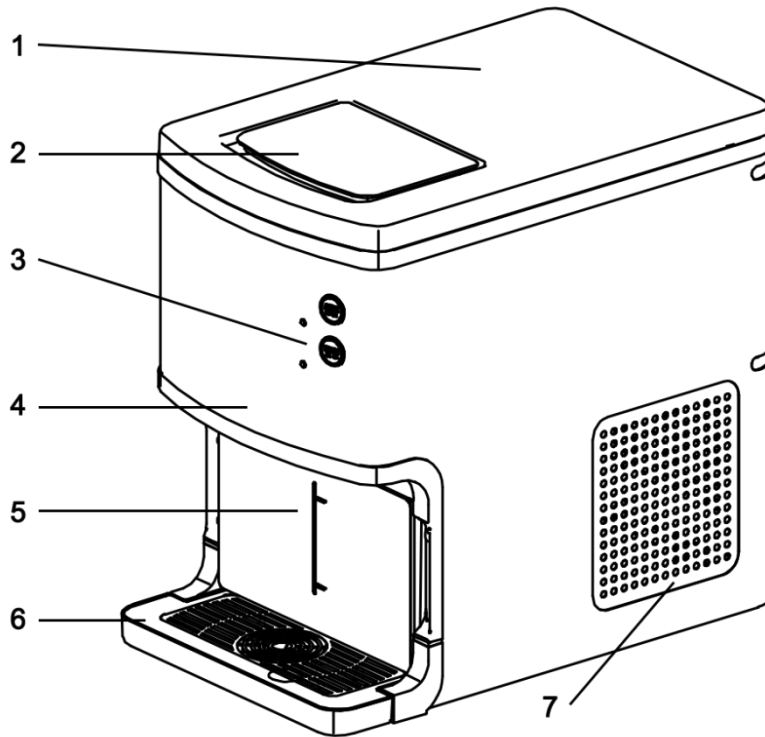
Serial number

Use these numbers in any correspondence or service calls concerning your ice maker.

If you received a damaged ice maker, immediately contact the dealer (or builder) that sold you the ice maker.

Save time and money. Before you call for service, check the troubleshooting guide. It lists causes of minor operating problems that you can correct yourself.

## PARTS AND FEATURES



1	Top Lid	5	Water Reservoir
2	Ice Window	6	Drip Pan
3	Control Panel	7	Air Vent
4	Cabinet		

## PRODUCT SPECIFICATIONS

<b>Model No.:</b>	NG30
<b>Voltage:</b>	110-120V
<b>Frequency:</b>	60Hz
<b>Current:</b>	1.39A (167W)
<b>Refrigerant/Weight:</b>	R600a / 0.88 oz
<b>Net Weight:</b>	34lbs
<b>Dimensions:</b>	16.5" x 10.6" x 16.5"
<b>Certifications:</b>	ETL

Control Panel Features	
<p>1 – Indicator Light – Power On/Off                  2 – Power On/Off button                  3 – Ice Full Alarm Indicator Light (Green)                  4 – Indicator Light – Ice Making System                  5 – Ice Making/Dispense Button                  6 – Add Water Alarm Indicator Light (Red)</p>	

## IMPORTANT SAFETY INSTRUCTIONS

<b>⚡WARNING⚡</b>	To reduce the risk of fire, electrical shock, or injury when using your ice maker, follow these basic precautions:
<ul style="list-style-type: none"><li>• Read all instructions before using the ice maker.</li><li>• <b>Danger or Warning:</b> Risk of child entrapment.</li><li>• Child entrapment and suffocation are not problems of the past. Junked or abandoned appliances are still dangerous...even if they will “just sit in the garage a few days.”</li><li>• Never allow children to operate, play with, or crawl inside the appliance.</li><li>• Never clean ice maker parts with flammable fluids. The fumes can create a fire hazard or explosion.</li><li>• Unplug the ice maker before cleaning or making repairs.</li><li>• Exercise caution and use reasonable supervision when appliance is used near children. Do not tip over.</li><li>• Do not store or use gasoline or any other flammable vapors and liquids in the vicinity of this or any other ice maker. The fumes can create a fire hazard or explosion.</li><li>• This appliance is intended to be used in household and similar applications, such as: Staff kitchen areas in shops, offices, and other working environments; Farmhouses and by clients in hotels, motels, and other residential type environments; Bed and breakfast type environments; Catering and similar non-retail applications.</li><li>• If the ice maker is brought indoors from outdoors during the wintertime, give it a few hours to warm up to room temperature before plugging it in.</li><li>• Fill with portable water only.</li></ul> <p style="text-align: center;">-save these instructions-</p>	

## INSTALLATION INSTRUCTIONS

### ➤ Before Using Your Ice Maker

- Remove the exterior and interior packing.
- Check to be sure you have all of the following parts:
  - 1 Instruction Manual
  - 1 Ice Maker
  - 1 Water Bin
- Before connecting the ice maker to the power source, let it stand upright for approximately 2 hours. This will reduce the possibility of a malfunction in the cooling system from handling during transportation.
- Before using this product, place the machine on a platform.
- Please keep the ice maker stewing 24 hours after receiving the machine.
- Please make sure that the rear drain is firmly plugged before adding water to the water tank.
- Clean the interior surface with lukewarm water using a soft cloth.

### ➤ Installation Of Your Ice Maker

- Locate the ice maker away from direct sunlight and sources of heat (stove, heater, radiator, etc.). Direct sunlight may affect the painted coating and heat sources may increase electrical consumption. Extreme cold ambient temperatures may also cause the ice maker not to perform properly.
- Plug the ice maker into an exclusive properly installed-grounded wall outlet. Do not under any circumstances cut or remove the third (ground) prong from the power cord. Any questions concerning power and or grounding should be directed toward a certified electrician or an authorized service center by The Legacy Companies.

**IMPORTANT: Do not install the Ice maker near an oven, radiator, or other heat source.**

➤ **ELECTRICAL CONNECTION**

**⚡ Warning ⚡**

Improper use of the grounded plug can result in the risk of electrical shock. If the power cord is damaged, have it replaced by an authorized service center.

This appliance should be properly grounded for your safety. The power cord of this appliance is equipped with a three-prong plug which mates with standard three prong wall outlets to minimize the possibility of electrical shock.

Do not under any circumstances cut or remove the third ground prong from the power cord supplied. For personal safety, this appliance must be properly grounded.

This appliance requires a standard 115/120 Volt AC ~/60Hz electrical ground outlet with three-prong. Have the wall outlet and circuit checked by a qualified electrician to make sure the outlet is properly grounded. When a standard 2-prong wall outlet is encountered, it is your responsibility and obligation to have it replaced with a properly grounded 3-prong wall outlet.

The cord should be secured behind the appliance and not left exposed or dangling to prevent accidental injury.

The appliance should always be plugged into its own individual electrical outlet which has a voltage rating that matches the rating label on the appliance. This provides the best performance and also prevent overloading house wiring circuits that could cause a fire hazard from overheated. Never unplug the appliance by pulling the power cord. Always grip the plug firmly and pull straight out from the receptacle. Repair or replace immediately all power cords that have become frayed or otherwise damaged. Do not use a cord that shows cracks or abrasion damage along its length or at either end. When moving the appliance, be careful not to damage the power cord.

➤ **EXTENSION CORD**

Because of potential safety hazards under certain conditions, it is strongly recommended that you do not use an extension cord with this appliance. However, if you must use an extension cord it is necessary that it be a UL/CUL-Listed, 3-wire grounding type appliance extension cord having a grounding type plug and outlet and that the electrical rating of the cord be 115 volts and at least 10 amperes.

➤ **SURGE PROTECTOR**

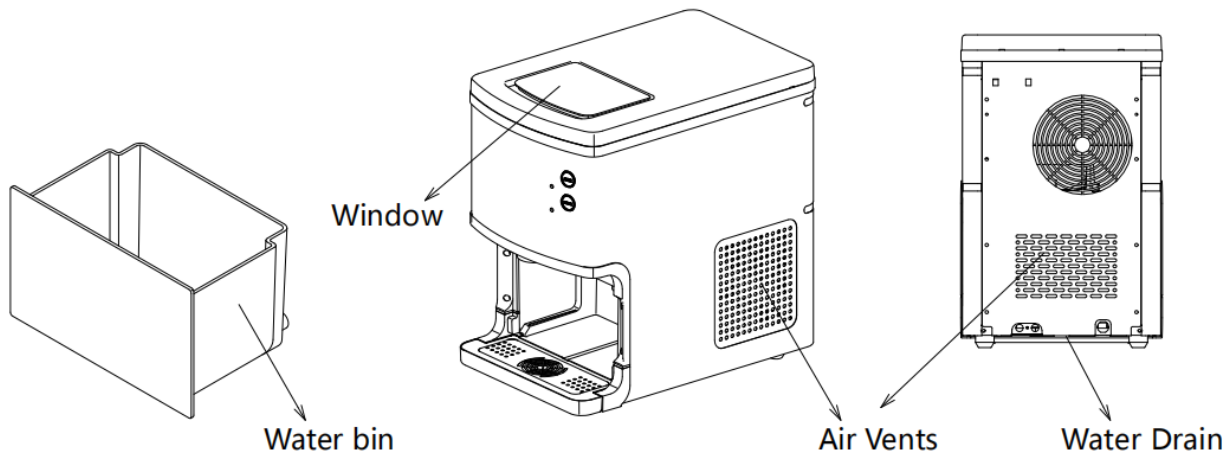
Most electrical appliances use a series of electric control boards to operate. These boards are very susceptible to power surges and could be damaged or destroyed.

If the appliance is going to be used in an area or if your city / country is prone to power surges / outages; it is suggested that you use a power surge protector for all electrical devices / appliances, you use. The surge protector that you select must have a surge block high enough to protect the appliance it is connected to. If you have any questions regarding the type and size of surge protector needed contact a licensed electrician in your area.

Damages due to power surges are not considered a manufacturer covered defect and will void your product warranty.



## GETTING TO KNOW YOUR ICE MAKER



1. Water Bin: Used for storing water.
2. Ice Window: Allows you to check how much ice has been produced without having to open the top and letting warm air in.
3. Air Vents: Located on the back and sides of the unit, these vents help prevent the ice maker from overheating. Please leave at least six inches of space all around the unit for proper ventilation.
4. Water Drain: Allows you to empty the water from the tank easily.
5. Max Fill Line: Inside the water tank below the ice tray is a line marking labeled "MAX". Do not fill the water tank above this line.

## OPERATING YOUR ICE MAKER

### ➤ Controls/Indicator Lights:

#### **STANDBY MODE**

Once you plug in your ice maker, three red LED rings will light up to indicate the unit is waiting to produce ice. It will not make batches until the unit has been activated with the power button.

#### **POWER BUTTON**

Press the power button once to turn on your ice maker. Once on, a blue LED ring will light up and the unit will begin to make ice. To turn the unit OFF, hold the power button for 3 seconds. The red LED ring will light up and the ice maker will go back to standby mode.

#### **DISPENSE**

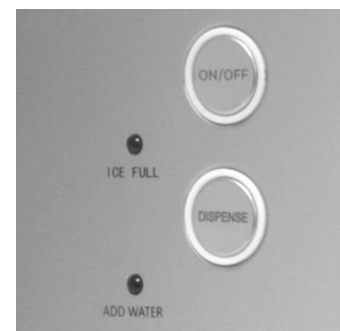
Press "DISPENSE" button and hold on during any mode, "ice out" light flicker and ices come out after 2 seconds.

#### **ICE FULL**

There is an infrared sensor that helps detect when the ice tray is full. When the tray is full, ice production will be kept on 20 minutes, then the ice machine will show to "ice full", the unit will turn off, and the "Ice Full" indicator will light up. To restart the ice production process, empty the ice basket, and machine will restart the ice production automatically.

#### **ADD WATER**

When the "Add Water" indicator light up, the unit will turn off and you will need to pour more water into the water tray below the ice basket. After you have refilled the water tray, press the power button once to restart the ice production process. The unit will continuously produce ice if there is water in the tank and the ice tray is not full.



## **Operating Instructions**

### ***Unpacking Your Ice Maker***

1. Remove all exterior and interior packaging. Make sure that the ice basket and ice scoop are included. If any part or accessory is missing, please contact our customer service department.
2. Clean the interior with lukewarm water and a soft cloth. Remove the ice basket and wash it in warm water.
3. Clean the evaporator rods using a water/vinegar solution.
4. Find a location for your ice maker that is protected from direct sunlight, and you will need six inches of space between the back and sides of your ice maker and the wall.

### ***Connecting Your Ice Maker***

1. This unit should be properly grounded for your safety.
2. Plug the appliance directly into an appropriate 120V AC outlet that is properly installed and grounded in accordance with all local codes and ordinances.

**WARNING:** Improper use of the grounded plug can result in the risk of electrical shock. If the power cord is damaged, please call our customer service department.

### ***Using Your Ice Maker***

1. Press the "ON/OFF" button after plugging in the ice maker machine and it will begin to run.  
**Tip:** You can use drinking water.
2. Open the cover, remove the ice basket and pour water into the tank, make sure it does not surpass the maximum water level. Put the ice basket back into the machine and close the lid.  
**Tip:** Keep the water below the ice basket.
3. While the ice maker is on, check the water level periodically. If the water pump cannot inject water, the ice maker will stop automatically and the "Add water" indicator will be on. Press the "ON/OFF" button, fill water up to the level mark and press the "ON/OFF" button again.
4. The ice maker automatically stops working when the ice basket is full. The "ICE FULL" indicator will light up when the ice bucket is full. To restart ice making, please remove the ice and then press "ON/OFF".
5. Change the water in the water reservoir every twenty-four hours to ensure a reasonable hygiene level. If the unit is not in use for a few days, drain all the water in the tank reservoir and refill before operating again.
6. Minimum water level is 1.5" and the max water level is 3". The "ADD WATER" indicator will light up when the water level is low. To restart, please add water and then press "ON/OFF" button.
7. For best performance, water temperature should be between 7°C (45°F) and 35°C (95°F) and ambient between 15°C (59°F) and 25°C (77°F).
8. Actual ice making capacity will depend on the ambient temperature of the surroundings of the ice maker as well as the temperature and quality of the water used to make the ice.

## CARE AND MAINTENANCE

**CAUTION:** Failure to unplug the ice maker could result in electrical shock or personal injury.

### ➤ Cleaning Your Ice Maker

Before using your ice maker, it is strongly recommended that you clean it thoroughly.

- To ensure the cleanliness of the ice cubes, it is recommended that you use filtered water.
- Remove the ice basket.
- Remove the drain cap to drain remaining water from the water reservoir when the ice maker will not be used for long period of time. Put the drain cap back in place after the water has been drained.
- Always change with fresh water before starting ice production at initial installation or after long shut-off periods.
- Dry the interior and exterior with a soft cloth.
- Please clean your ice maker regularly. When cleaning, unplug the unit and remove the ice cubes. Use a diluted solution of water and vinegar to clean the inside and the outside surface of the Ice maker. Do not spray Ice maker with chemicals or diluted agents such as acids, gasoline or oil. Rinse thoroughly before starting.
- When the machine is not in use, open the drain cap to drain water completely from the water reservoir.

### ➤ Space Requirements

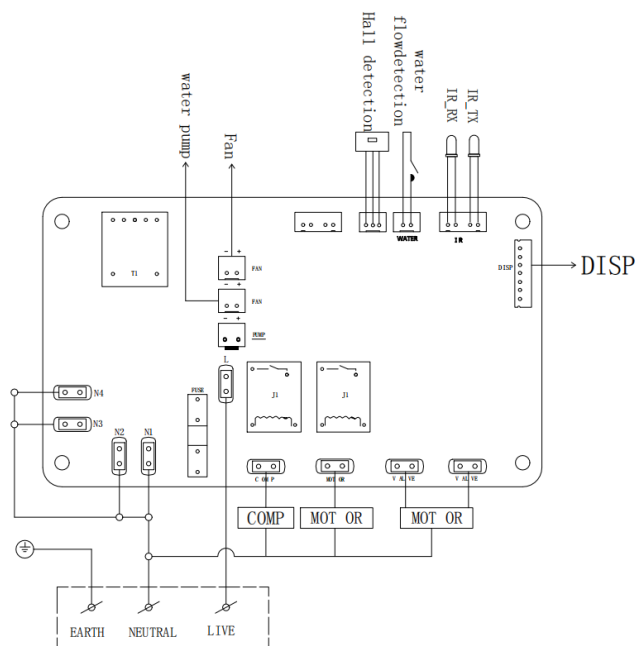
- During transportation, the incline angle of the cabinet should not be over 45°
- Do not turn the Ice maker upside down. Problems could occur in the compressor and sealed system.
- The Ice maker should be placed horizontally on a properly leveled surface.
- To ensure proper ventilation for your Ice maker allow 6" of space at the top, the back and on each side.
- Before using the Ice maker for the first time, please wait 2 hours after positioning it.
- Clean the inner liner, ice-bin, and water bin.

**IMPORTANT:** Do not install the Ice maker near an oven, radiator, or other heat source.

### ➤ Power Failure

Most power failures are corrected within a few hours and should not affect the temperature of your ice maker if you minimize the number of times the ice-bin is opened. If the power is going to be OFF for a longer period of time, you need to take the proper steps to disconnect your appliance.

## ELECTRICAL SCHEMATIC DIAGRAM



## PROBLEMS WITH YOUR ICE MAKER?

You can solve many common ice maker problems easily, saving you the cost of a possible service call. Try the suggestions below to see if you can solve the problem before calling the servicer.

### TROUBLESHOOTING GUIDE

Problem	Possible Cause	Suggested Solutions
<b>“ADD WATER” indicator is on.</b>	Water level is low.	Stop the ice maker, fill water, and restart.
<b>“ICE FULL” indicator is on.</b>	The ice basket is full. The ice sensor is broken. The ice scoop is stuck.	Remove the ice from the basket. Press “ON/OFF” to start the ice maker forcibly or contact us to change the sensor. Check if ice is blocking the ice shovel and remove the ice.
<b>Ice cubes stick together.</b>	The ice making cycle is too long. The part of the evaporator rods in the ice box is too large. The water temperature in the inner tank is too low.	Stop the ice maker and restart when the ice blocks melt. Change the water in the reservoir. Use water between 46°F and 89°F.
<b>Ice is full but the light is off.</b>	The location of the ice maker’s light is too strong and it effects the infrared detection.	Move the ice maker near a darker location.
<b>Indicator lights are off.</b>	Blown fuse/ no power/blown breaker	Replace fuse / turn power on.
<b>Ice making cycle is normal but there is no ice.</b>	Ambient temperature or water temperature is too high. Refrigerant liquid leakage The pipe in the cooling system is blocked.	Please operate the ice maker below ambient temperature of 89°F and use cold water. Contact customer service. Contact customer service.

**Note:** The noises are normal when operating this ice maker: a click sound when the machine was turned on or off; a boiling, gurgling, or knocking sound when refrigerant is circulating through the pipes; loud click sound when ice cubes are dropped into the bucket.

### Service For Your Ice Maker

We are proud of our customer service organization and the network of professional service technicians that provide service on your ice maker. With the purchase of your ice maker, you can be confident that if you ever need additional information or assistance, The Legacy Companies Customer Service team will be here for you. Just call us toll-free.

#### The Legacy Companies Customer Services

Product information 800-323-5029	Whatever your questions are about our products, help is available.
-------------------------------------	--

<p align="center"><b>YOUR LEGACY COMPANIES' PRODUCTS WARRANTY</b></p>	<p>Staple your sales receipt here. Proof of original purchase date is needed to obtain service under warranty.</p>
<p><b><u>WHAT IS COVERED – LIMITED ONE-YEAR WARRANTY</u></b>  The Legacy Companies warrants that the product is free from defects in materials and/or workmanship for a period of twelve (12) months from the date of purchase by the original owner. The foregoing timeline begins to run upon the date of purchase, and shall not be stalled, tolled, extended, or suspended for any reason whatsoever unless described in detail in the warranty document. For one year from the date of purchase by the original owner, The Legacy Companies will, at its option, repair or replace any part of the product which proves to be defective in material or workmanship under normal use. The Legacy Companies will provide you with a reasonably similar product that is either new or factory refurbished. During this period The Legacy Companies will provide all parts and labor necessary to correct such defects free of charge, so long as the product has been installed and operated in accordance with the written instructions in this manual. In rental or commercial use, the warranty period is 90 days.</p>	
<p><b><u>LIMITED SECOND THROUGH FIFTH YEAR WARRANTY</u></b>  For the second through the fifth year from the date of original purchase, The Legacy Companies will provide a replacement compressor free of charge due to a failure. You are responsible for the service labor and freight charges. In rental or commercial use, the limited compressor warranty is one year and nine months. Costs involved to move the product to the service center and back to the user's home, as maybe required, are the user's responsibility.</p>	
<p><b><u>WARRANTY EXCLUSIONS / WHAT IS NOT COVERED:</u></b>  The warranty coverage described herein excludes all defects or damage that are not the direct fault of The Legacy Companies, including without limitation, one or more of the following:</p>	
<ul style="list-style-type: none"> <li>● A failure to comply with any applicable state, local, city, or county electrical, plumbing and/or building codes, regulations, or laws, including failure to install the product in strict conformity with local fire and building codes and regulations.</li> <li>● Any external, elemental and/or environmental forces and factors, including without limitation, rain, wind, sand, floods, fires, mud slides, freezing temperatures, excessive moisture or extended exposure to humidity, lightning, power surges, structural failures surrounding the appliance, and acts of God.</li> </ul>	
<ul style="list-style-type: none"> <li>● Content losses of food or other content due to spoilage.</li> <li>● Incidental or consequential damages</li> <li>● Parts and labor costs for the following will not be considered as warranty: <ul style="list-style-type: none"> <li>● Plastic cabinet liners.</li> <li>● Punctured evaporator that voids the warranty on the complete sealed system.</li> </ul> </li> </ul>	<ul style="list-style-type: none"> <li>● Shipping and handling costs associated with the replacement of the unit.</li> <li>● Repairs performed by unauthorized servicers.</li> <li>● Service calls that are related to external problems, such as abuse, misuse, inadequate electrical power, accidents, fire, floods, or any other acts of God.</li> <li>● Failure of the product if it is used for other than its intended purpose.</li> <li>● The warranty does not apply outside the Continental USA.</li> <li>● Surcharges including but not limited to, any after hour, weekend, or holiday service calls, tolls, ferry trip charges, or mileage expense for service calls to remote areas.</li> </ul>
<p>In no event shall The Legacy Companies have any liability or responsibility whatsoever for damage to surrounding property, including cabinetry, floors, ceilings, and other structures and/or objects around the product. Also excluded from this warranty are scratches, nicks, minor dents, and other cosmetic damages on external surfaces and exposed parts; Products on which the serial numbers have been altered, defaced or removed; service visits for customer education, or visits where there is nothing wrong with the product; correction of installation problems (you are solely responsible for any structure and setting for the product, including all electrical, plumbing and/or other connecting facilities, for proper foundation/flooring, and for any alterations including without limitation cabinetry, walls, floors, shelving etc., as well as the resetting of breakers or fuses.</p>	
<p><b><u>OUT OF WARRANTY PRODUCT</u></b>  The Legacy Companies is under no obligation, at law or otherwise, to provide you with any concessions, including repairs, pro-rates, or product replacement once this warranty has expired.</p>	

WARRANTY – REFRIGERATION - COMPRESSOR

## SEGURIDAD DE LA FABRICACIÓN DE HIELO

### SU SEGURIDAD Y LA DE LOS DEMÁS SON MUY IMPORTANTES.

Hemos proporcionado muchos mensajes de seguridad importantes en este manual para su electrodoméstico. Siempre lea y obedezca todos los mensajes de seguridad.



Éste es el símbolo de alerta de seguridad. Este símbolo le advierte sobre peligros potenciales que pueden causarle la muerte o lesiones a usted y a otras personas. Todos los mensajes de seguridad seguirán al símbolo de alerta de seguridad Y las palabras "PELIGRO", "ADVERTENCIA" o "PRECAUCIÓN".



Peligro significa que el incumplimiento de esta declaración de seguridad puede provocar lesiones personales graves o la muerte.



Advertencia significa que el incumplimiento de esta declaración de seguridad puede provocar daños importantes al producto, lesiones personales graves o la muerte.



Precaución significa que el incumplimiento de esta declaración de seguridad puede provocar lesiones personales leves o moderadas, daños a la propiedad o al equipo.

Todos los mensajes de seguridad lo alertarán para saber cuál es el peligro potencial, le indicarán cómo reducir la posibilidad de lesiones y le informarán qué puede suceder si no se siguen las instrucciones.



#### ADVERTENCIA PARA RESIDENTES DE CALIFORNIA

##### **ADVERTENCIA:**

Cáncer y daño reproductivo [www.p65warnings.ca.gov](http://www.p65warnings.ca.gov)

## GUÍAS DE SEGURIDAD IMPORTANTES



Antes de usar el aparato, debe colocarse e instalarse correctamente como se describe en este manual, así que lea el manual cuidadosamente. Para reducir el riesgo de incendio, descarga eléctrica o lesiones al utilizar el aparato, siga las precauciones básicas, incluidas las siguientes:



- Enchufe en un tomacorriente de 3 clavijas con conexión a tierra, no quite la clavija de conexión a tierra, no use un adaptador y no use un cable de extensión.
- Se recomienda que se proporcione un circuito separado, que sirva solo a su electrodoméstico. Use receptáculos que no se puedan apagar con un interruptor o una cadena.
- Nunca limpie las piezas del aparato con líquidos inflamables. Estos vapores pueden crear un riesgo de incendio o explosión. Y no almacene ni use gasolina u otros vapores y líquidos inflamables cerca de este o cualquier otro aparato. Los vapores pueden crear un riesgo de incendio o explosión.
- Antes de proceder con las operaciones de limpieza y mantenimiento, asegúrese de que la línea de alimentación de la unidad esté desconectada.
- No conecte ni desconecte el enchufe eléctrico con las manos mojadas.
- Desenchufe el aparato o desconecte la energía antes de limpiarlo o darle servicio. Si no lo hace, puede sufrir una descarga eléctrica o la muerte.
- No intente reparar o reemplazar ninguna pieza de su electrodoméstico a menos que se recomiende específicamente en este manual. Todos los demás servicios deben ser referidos a un técnico calificado.



### SIGA LAS LLAMADAS DE ADVERTENCIA A CONTINUACIÓN SÓLO CUANDO CORRESPONDA A SU MODELO

- Use dos o más personas para mover e instalar el electrodoméstico. Si no lo hace, puede sufrir lesiones en la espalda o de otro tipo.
- Para garantizar la ventilación adecuada de su electrodoméstico, la parte frontal de la unidad debe estar completamente despejada. Elija un área bien ventilada con temperaturas superiores a 60 °F (16 °C) e inferiores a 90 °F (32 °C). Esta unidad debe instalarse en un área protegida de los elementos, como viento, lluvia, rocío de agua o goteos.
- El aparato no debe ubicarse junto a hornos, parrillas u otras fuentes de calor intenso.
- El aparato debe instalarse con todas las conexiones eléctricas de acuerdo con los códigos estatales y locales. Se requiere un suministro eléctrico estándar (solo 115 V CA, 60 Hz), correctamente conectado a tierra de acuerdo con el código eléctrico nacional y los códigos y ordenanzas locales.
- No doble ni pellizque el cable de alimentación del aparato.
- El tamaño del fusible (o disyuntor) debe ser de 15 amperios.
- Es importante que el aparato esté nivelado para que funcione correctamente. Es posible que deba hacer varios ajustes para nivelarlo.
- Compruebe si hay fugas después de la conexión.
- Nunca permita que los niños operen o jueguen con el aparato.
- Aunque la unidad ha sido probada en la fábrica, debido al tránsito y almacenamiento a largo plazo, se debe desechar el primer lote de cubos.
- No use agentes de limpieza a base de solventes o abrasivos en el interior. Estos limpiadores pueden dañar o decolorar el interior.
- No utilice este aparato para otro fin que no sea el previsto.

---

## Ayúdanos a ayudarte...

### Lea esta guía detenidamente.

Su objetivo es ayudarlo a operar y mantener su nueva máquina de hielo correctamente.

Manténgalo a mano para responder a sus preguntas.

Si no entiende algo o necesita más ayuda, llame al:

**Atención al cliente de  
The Legacy Companies  
800-220-5570**

Conserve una prueba de la fecha de compra original (como su recibo de compra) con esta guía para establecer el período de garantía.

### Anote el modelo y los números de serie.

Los encontrará en una placa situada en la parte trasera pared de la máquina de hielo.

Por favor escriba estos números aquí:

\_\_\_\_\_  
Fecha de compra

\_\_\_\_\_  
Número de modelo

\_\_\_\_\_  
Número de serie

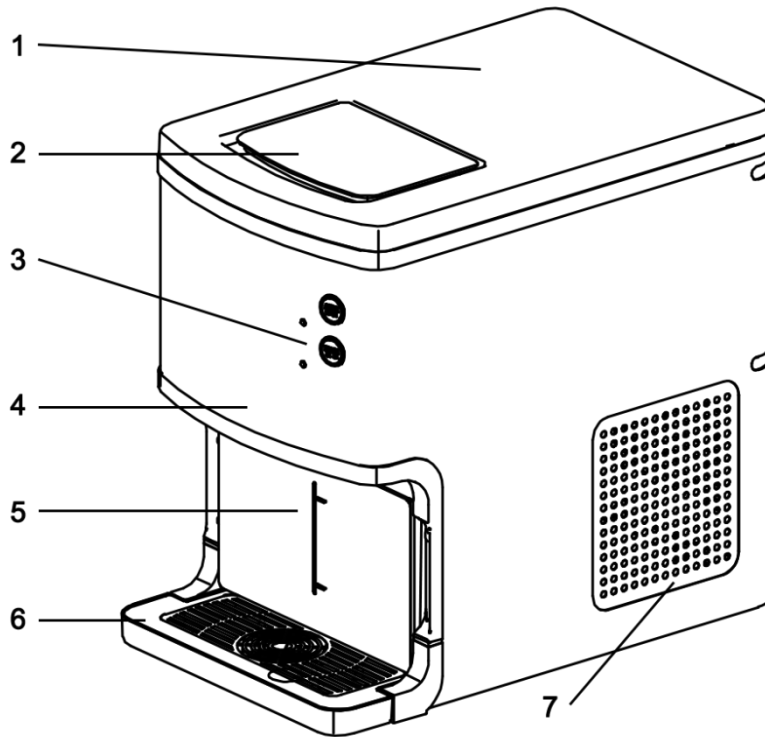
Utilice estos números en cualquier correspondencia o llamada de servicio relacionada con su máquina de hielo.

Si recibió una máquina de hielo dañada, comuníquese de inmediato con el distribuidor (o constructor) que le vendió la máquina de hielo.

Ahorre tiempo y dinero. Antes de llamar al servicio técnico, consulte la guía de resolución de problemas. Enumera las causas de problemas operativos menores que puede corregir usted mismo.



## PIEZAS Y CARACTERÍSTICAS



1	Tapa superior	5	Reserva de agua
2	Ventana de hielo	6	Bandeja de goteo
3	Panel de control	7	Salida de aire
4	Gabinete		

## ESPECIFICACIONES DEL PRODUCTO

<b>N ° de Modelo.:</b>	NG30
<b>Voltaje:</b>	110-120V
<b>Frecuencia:</b>	60Hz
<b>Actual:</b>	1.39A (167W)
<b>Refrigerante/Peso:</b>	R600a / 0.88 oz
<b>Peso neto:</b>	34 libras
<b>Dimensiones:</b>	16,5" x 10,6" x 16,5"
<b>Certificaciones:</b>	ETL

Características del panel de control	
1 – Luz indicadora – Encendido/apagado	
2 – Botón de encendido/apagado	
3 – Luz indicadora de alarma de hielo lleno (verde)	
4 – Luz indicadora – Sistema de fabricación de hielo	
5 – Botón para hacer hielo/dispensar	
6 – Añadir luz indicadora de alarma de agua (roja)	

## INSTRUCCIONES DE SEGURIDAD IMPORTANTES

<b>⚡ADVERTENCIA⚡</b>	Para reducir el riesgo de incendio, descarga eléctrica o lesiones al usar su máquina de hielo, siga estas precauciones básicas:
<ul style="list-style-type: none"><li>• Lea todas las instrucciones antes de usar la máquina de hielo.</li><li>• <b>Peligro o Advertencia:</b> Riesgo de atrapamiento de niños.</li><li>• El atrapamiento y la asfixia de los niños no son problemas del pasado. Los electrodomésticos desechados o abandonados siguen siendo peligrosos... incluso si "simplemente se quedarán en el garaje unos días".</li><li>• Nunca permita que los niños operen, jueguen o gateen dentro del aparato.</li><li>• Nunca limpie las piezas de la máquina de hielo con líquidos inflamables. Los vapores pueden crear un riesgo de incendio o explosión.</li><li>• Desenchufe la fábrica de hielo antes de limpiarla o hacer reparaciones.</li><li>• Tenga cuidado y utilice una supervisión razonable cuando utilice el aparato cerca de niños. No se vuelque.</li><li>• No almacene ni use gasolina ni ningún otro vapor o líquido inflamable cerca de esta o cualquier otra máquina de hielo. Los vapores pueden crear un riesgo de incendio o explosión.</li><li>• Este electrodoméstico está diseñado para usarse en aplicaciones domésticas y similares, tales como: áreas de cocina para el personal en tiendas, oficinas y otros entornos de trabajo; Granjas y por clientes en hoteles, moteles y otros entornos de tipo residencial; Ambientes tipo bed and breakfast; Catering y aplicaciones no minoristas similares.</li><li>• Si la máquina de hielo se lleva al interior desde el exterior durante el invierno, espere unas horas para que alcance la temperatura ambiente antes de enchufarla.</li><li>• Llénelo solo con agua potable.</li></ul> <p style="text-align: center;">-Guarda estas instrucciones-</p>	

## INSTRUCCIONES DE INSTALACIÓN

### ➤ **Antes de usar su máquina de hielo**

- Retire el embalaje exterior e interior.
- Compruebe que tiene todas las piezas siguientes:
  - 1 manual de instrucciones
  - 1 fabricante de hielo
  - 1 depósito de agua
- Antes de conectar la fábrica de hielo a la fuente de alimentación, déjela en posición vertical durante aproximadamente 2 horas. Esto reducirá la posibilidad de un mal funcionamiento en el sistema de enfriamiento debido al manejo durante el transporte.
- Antes de usar este producto, coloque la máquina sobre una plataforma.
- Mantenga la máquina de hielo guisando 24 horas después de recibir la máquina.
- Asegúrese de que el drenaje trasero esté firmemente tapado antes de agregar agua al tanque de agua.
- Limpie la superficie interior con agua tibia usando un paño suave.

### ➤ **Instalación de su máquina de hielo**

- Ubique la máquina de hielo lejos de la luz solar directa y fuentes de calor (estufa, calentador, radiador, etc.). La luz solar directa puede afectar el revestimiento pintado y las fuentes de calor pueden aumentar el consumo eléctrico. Las temperaturas ambientales extremadamente frías también pueden hacer que la fábrica de hielo no funcione correctamente.
- Enchufe la fábrica de hielo en un tomacorriente de pared exclusivo debidamente instalado y conectado a tierra. No bajo ningún corte o extraiga la tercera clavija (tierra) del cable de alimentación. Cualquier pregunta relacionada con la alimentación o la conexión a tierra debe dirigirse a un electricista certificado o a un centro de servicio de productos autorizado.

**IMPORTANTE: No instale la fábrica de hielo cerca de un horno, radiador u otra fuente de calor.**

## ➤ **CONEXIÓN ELÉCTRICA**

### **⚡ Advertencia ⚡**

El uso inadecuado del enchufe con conexión a tierra puede resultar en riesgo de descarga eléctrica. Si el cable de alimentación está dañado, haga que lo reemplace un centro de servicio autorizado de Legacy Companies.

Este aparato debe estar correctamente conectado a tierra para su seguridad. El cable de alimentación de este electrodoméstico está equipado con un enchufe de tres clavijas que se acopla a los tomacorrientes de pared estándar de tres clavijas para minimizar la posibilidad de descarga eléctrica.

Bajo ninguna circunstancia corte o retire la tercera clavija de conexión a tierra del cable de alimentación suministrado. Por seguridad personal, este aparato debe estar correctamente conectado a tierra.

Este aparato requiere una toma de tierra estándar de 115/120 voltios CA ~/60 Hz con tres clavijas. Haga que un electricista calificado verifique el tomacorriente y el circuito para asegurarse de que el tomacorriente esté correctamente conectado a tierra. Cuando se encuentra un tomacorriente de pared estándar de 2 clavijas, es su responsabilidad y obligación reemplazarlo por un tomacorriente de pared de 3 clavijas debidamente conectado a tierra.

El cable debe asegurarse detrás del aparato y no dejarse expuesto o colgando para evitar lesiones accidentales.

El electrodoméstico siempre debe estar enchufado en su propio tomacorriente eléctrico individual que tenga una clasificación de voltaje que coincida con la etiqueta de clasificación del electrodoméstico. Esto proporciona el mejor rendimiento y también evita la sobrecarga de los circuitos de cableado de la casa que podrían causar un riesgo de incendio por sobrecalentamiento. Nunca desenchufe el aparato tirando del cable de alimentación. Sujete siempre el enchufe con firmeza y sáquelo del receptáculo. Repare o reemplace inmediatamente todos los cables de alimentación que se hayan deshilachado o dañado. No utilice un cable que muestre grietas o daños por abrasión a lo largo o en cualquiera de los extremos. Al mover el aparato, tenga cuidado de no dañar el cable de alimentación.

## ➤ **CABLE DE EXTENSIÓN**

Debido a los peligros potenciales para la seguridad bajo ciertas condiciones, se recomienda enfáticamente que no use un cable de extensión con este aparato. Sin embargo, si debe usar un cable de extensión, es necesario que sea un cable de extensión para electrodomésticos de 3 hilos con conexión a tierra, listado por UL/CUL, que tenga un enchufe y un tomacorriente con conexión a tierra y que la clasificación eléctrica del cable sea de 115 voltios y a menos 10 amperios.

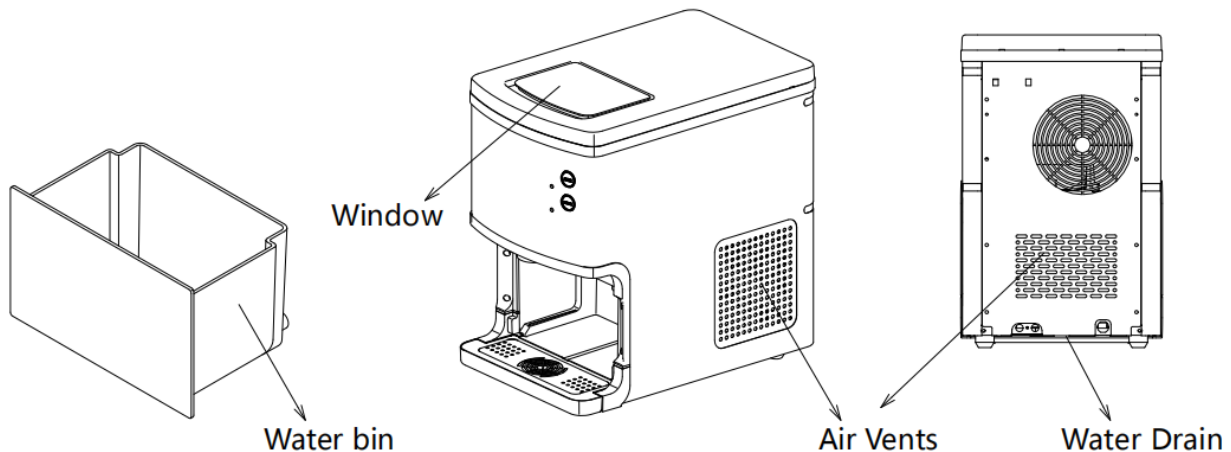
## ➤ **PROTECTOR CONTRA SOBRETENSIONES**

La mayoría de los aparatos eléctricos utilizan una serie de tableros de control eléctrico para funcionar. Estas placas son muy susceptibles a las sobrecargas de energía y podrían dañarse o destruirse.

Si el electrodoméstico se va a utilizar en un área o si su ciudad/país es propensa a sobretensiones/cortes de energía; se sugiere que utilice un protector contra sobretensiones para todos los dispositivos/aparatos eléctricos que utilice. El protector contra sobretensiones que seleccione debe tener un bloque de sobrevoltaje lo suficientemente alto como para proteger el aparato al que está conectado. Si tiene alguna pregunta sobre el tipo y el tamaño del protector contra sobretensiones necesario, comuníquese con un electricista certificado en su área.

Los daños debidos a subidas de tensión no se consideran defectos cubiertos por el fabricante y anularán la garantía del producto.

## CONOCIENDO SU MÁQUINA DE HIELO



1. Depósito de agua: se utiliza para almacenar agua.
2. Ventana de hielo: le permite verificar cuánto hielo se ha producido sin tener que abrir la tapa y dejar entrar aire caliente.
3. Ventilaciones de aire: ubicadas en la parte posterior y los costados de la unidad, estas ventilaciones ayudan a evitar que la máquina de hielo se sobrecaliente. Deje al menos seis pulgadas de espacio alrededor de la unidad para una ventilación adecuada.
4. Drenaje de agua: Le permite vaciar el agua del tanque fácilmente.
5. Línea de llenado máximo: dentro del tanque de agua debajo de la bandeja de hielo hay una línea marcada como "MAX". No llene el tanque de agua por encima de esta línea.

## FUNCIONAMIENTO DE SU MÁQUINA DE HIELO

### ➤ Controles/luces indicadoras:

#### **MODO DE ESPERA**

Una vez que conecte su máquina de hielo, se encenderán tres anillos LED rojos para indicar que la unidad está esperando para producir hielo. No hará lotes hasta que la unidad se haya activado con el botón de encendido.

#### **BOTÓN DE ENCENDIDO**

Presione el botón de encendido una vez para encender su máquina de hielo. Una vez encendido, se encenderá un anillo LED azul y la unidad comenzará a hacer hielo. Para APAGAR la unidad, mantenga presionado el botón de encendido durante 3 segundos. El anillo LED rojo se encenderá y la fábrica de hielo volverá al modo de espera.

#### **DISPENSAR**

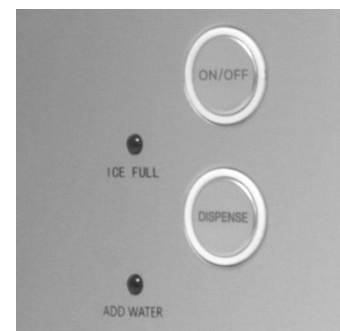
Presione el botón "DISPENSAR" y manténgalo presionado durante cualquier modo, la luz de "hielo fuera" parpadeará y los hielos saldrán después de 2 segundos.

#### **HIELO LLENO**

Hay un sensor infrarrojo que ayuda a detectar cuando la bandeja de hielo está llena. Cuando la bandeja esté llena, la producción de hielo se mantendrá durante 20 minutos, luego la máquina de hielo mostrará "hielo lleno", la unidad se apagará y el indicador "Ice Full" se encenderá. Para reiniciar el proceso de producción de hielo, vacíe la canasta de hielo y la máquina reiniciará la producción de hielo automáticamente.

#### **AGREGAR AGUA**

Cuando se encienda el indicador "Agregar agua", la unidad se apagará y deberá verter más agua en la bandeja de agua debajo de la canasta de hielo. Después de haber rellenado la bandeja de agua, presione el botón de encendido una vez para reiniciar el proceso de producción de hielo. La unidad producirá hielo continuamente si hay agua en el tanque y la bandeja de hielo no está llena.



## **Instrucciones de operación**

### ***Desembalaje de su máquina de hielo***

1. Retire todo el embalaje exterior e interior. Asegúrese de que la canasta de hielo y la cuchara para hielo estén incluidas. Si falta alguna pieza o accesorio, póngase en contacto con nuestro departamento de atención al cliente.
2. Limpie el interior con agua tibia y un paño suave. Retire la canasta de hielo y lávela con agua tibia.
3. Limpie las varillas del evaporador con una solución de agua/vinagre.
4. Encuentre una ubicación para su máquina de hielo que esté protegida de la luz solar directa, y necesitará seis pulgadas de espacio entre la parte posterior y los lados de su máquina de hielo y la pared.

### ***Conexión de su máquina de hielo***

1. Esta unidad debe estar debidamente conectada a tierra para su seguridad.
2. Enchufe el electrodoméstico directamente en un tomacorriente de CA de 120 V apropiado que esté correctamente instalado y conectado a tierra de acuerdo con todos los códigos y ordenanzas locales.

**ADVERTENCIA:** El uso inadecuado del enchufe con conexión a tierra puede resultar en riesgo de descarga eléctrica. Si el cable de alimentación está dañado, llame a nuestro departamento de atención al cliente.

### ***Uso de su máquina de hielo***

1. Presione el botón "ENCENDIDO/APAGADO" después de enchufar la máquina de hacer hielo y comenzará a funcionar.  
**Consejo:** Puedes usar agua potable.
2. Abra la tapa, retire la canasta de hielo y vierta agua en el tanque, asegúrese de que no supere el nivel máximo de agua. Vuelva a colocar la canasta de hielo en la máquina y cierre la tapa.  
**Consejo:** Mantenga el agua debajo de la canasta de hielo.
3. Mientras la fábrica de hielo está encendida, verifique periódicamente el nivel del agua. Si la bomba de agua no puede inyectar agua, la fábrica de hielo se detendrá automáticamente y el indicador "Agregar agua" se encenderá. Presione el botón "ON/OFF", llene de agua hasta la marca de nivel y presione el botón "ON/OFF" nuevamente.
4. La fábrica de hielo deja de funcionar automáticamente cuando la canasta de hielo está llena. El indicador "ICE FULL" se encenderá cuando la cubeta de hielo esté llena. Para reiniciar la fabricación de hielo, retire el hielo y luego presione "ON/OFF".
5. Cambie el agua del depósito de agua cada veinticuatro horas para garantizar un nivel de higiene razonable. Si la unidad no se usa durante unos días, drene toda el agua del depósito del tanque y vuelva a llenar antes de volver a operar.
6. El nivel mínimo de agua es de 1,5" y el nivel máximo de agua es de 3". El indicador "AGREGAR AGUA" se encenderá cuando el nivel del agua sea bajo. Para reiniciar, agregue agua y luego presione el botón "ON/OFF".
7. Para obtener el mejor rendimiento, la temperatura del agua debe estar entre 7 °C (45 °F) y 35 °C (95 °F) y la temperatura ambiente entre 15 °C (59 °F) y 25 °C (77 °F).
8. La capacidad real de fabricación de hielo dependerá de la temperatura ambiente de los alrededores de la máquina de hielo, así como de la temperatura y la calidad del agua utilizada para fabricar el hielo.

## CUIDADO Y MANTENIMIENTO

**PRECAUCIÓN:** Si no se desenchufa la fábrica de hielo, se podrían producir descargas eléctricas o lesiones personales.

### ➤ Limpieza de su máquina de hielo

Antes de usar su máquina de hielo, se recomienda encarecidamente que la limpie a fondo.

- Para garantizar la limpieza de los cubitos de hielo, se recomienda utilizar agua filtrada.
- Retire la canasta de hielo.
- Retire la tapa de drenaje para drenar el agua restante del depósito de agua cuando no vaya a utilizar la fábrica de hielo durante un período prolongado. Vuelva a colocar la tapa de drenaje en su lugar después de que se haya drenado el agua.
- Siempre cambie con agua dulce antes de comenzar la producción de hielo en la instalación inicial o después de largos períodos de inactividad.
- Seque el interior y el exterior con un paño suave.
- Limpie su máquina de hielo regularmente. Al limpiar, desenchufe la unidad y retire los cubitos de hielo. Use una solución diluida de agua y vinagre para limpiar la superficie interior y exterior de la fábrica de hielo. No rocíe la fábrica de hielo con productos químicos o agentes diluidos como ácidos, gasolina o aceite. Enjuague bien antes de comenzar.
- Cuando la máquina no esté en uso, abra la tapa de drenaje para drenar completamente el agua del depósito de agua.

### ➤ Requisitos de espacio

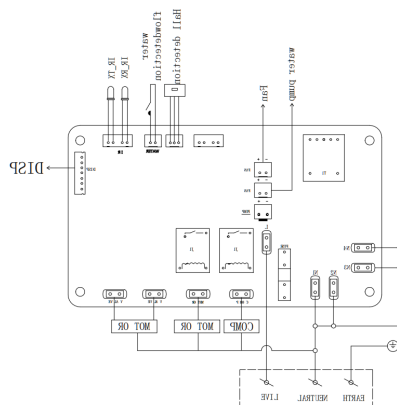
- Durante el transporte, el ángulo de inclinación del gabinete no debe superar los 45°
- No dé la vuelta a la fábrica de hielo. Podrían ocurrir problemas en el compresor y el sistema sellado.
- La fábrica de hielo debe colocarse horizontalmente sobre una superficie nivelada correctamente.
- Para asegurar una ventilación adecuada para su máquina de hielo, deje 6" de espacio en la parte superior, trasera y a cada lado.
- Antes de usar la fábrica de hielo por primera vez, espere 2 horas después de colocarla.
- Limpie el revestimiento interior, el depósito de hielo y el depósito de agua.

**IMPORTANTE:** No instale la fábrica de hielo cerca de un horno, radiador u otra fuente de calor.

### ➤ Fallo de alimentación

La mayoría de las fallas de energía se corrigen en unas pocas horas y no deberían afectar la temperatura de su máquina de hielo si minimiza la cantidad de veces que se abre el depósito de hielo. Si la energía va a estar APAGADA por un período de tiempo más largo, debe seguir los pasos adecuados para desconectar su electrodoméstico.

## DIAGRAMA ESQUEMÁTICO ELÉCTRICO



## ¿PROBLEMAS CON SU MÁQUINA DE HIELO?

Puede resolver fácilmente muchos problemas comunes de la máquina de hielo, ahorrándole el costo de una posible llamada de servicio. Pruebe las sugerencias a continuación para ver si puede resolver el problema antes de llamar al administrador.

### GUÍA PARA RESOLVER PROBLEMAS

Problema	Causa posible	Las soluciones sugeridas
<b>El indicador "AÑADIR AGUA" está encendido.</b>	El nivel del agua es bajo.	Detenga la máquina de hielo, llénela de agua y reiníciela.
<b>El indicador "ICE FULL" está encendido.</b>	La canasta de hielo está llena. El sensor de hielo está roto. La pala de hielo está atascada.	Retire el hielo de la canasta. Presione "ON/OFF" para encender la máquina de hielo a la fuerza o contáctenos para cambiar el sensor. Compruebe si el hielo está bloqueando la pala de hielo y retire el hielo.
<b>Los cubos de hielo se pegan.</b>	El ciclo de fabricación de hielo es demasiado largo. La parte de las varillas del evaporador en la caja de hielo es demasiado grande. La temperatura del agua en el tanque interior es demasiado baja.	Detenga la fábrica de hielo y reiníciela cuando los bloques de hielo se derritan. Cambia el agua del depósito. Use agua entre 46°F y 89°F.
<b>El hielo está lleno pero la luz está apagada.</b>	La ubicación de la luz de la fábrica de hielo es demasiado fuerte y afecta la detección de infrarrojos.	Mueva la fábrica de hielo cerca de un lugar más oscuro.
<b>Las luces indicadoras están apagadas.</b>	Fusible quemado/sin energía/disyuntor quemado	Reemplace el fusible / encienda la alimentación.
<b>El ciclo de fabricación de hielo es normal pero no hay hielo.</b>	La temperatura ambiente o la temperatura del agua es demasiado alta. Fuga de líquido refrigerante La tubería en el sistema de enfriamiento está bloqueada.	Opere la fábrica de hielo por debajo de la temperatura ambiente de 89 °F y use agua fría. Contactar Servicio al Cliente. Contactar Servicio al Cliente.

**Nota:** Los ruidos son normales cuando se opera esta máquina de hielo: un sonido de clic cuando la máquina se encendió o se apagó; un sonido de ebullición, gorgoteo o golpeteo cuando el refrigerante circula por las tuberías; fuerte sonido de clic cuando los cubos de hielo caen en el cubo.

### Servicio para su máquina de hielo

Estamos orgullosos de nuestra organización de servicio al cliente y de la red de técnicos de servicio profesionales que brindan servicio a su máquina de hielo. Con la compra de su máquina de hielo, puede estar seguro de que si alguna vez necesita información adicional o asistencia, el equipo de Servicio estará aquí para ayudarlo. Simplemente llámenos al número gratuito.

#### The Legacy Companies Atención al cliente

Información del producto 800-323-5029	Sean cuales sean sus preguntas sobre nuestros productos, hay ayuda disponible.
---------------------------------------	--

<p align="center"><b>THE LEGACY COMPANIES GARANTÍA DE PRODUCTO</b></p>	<p>Engrapa tu recibo de compra aquí. Se necesita prueba de la fecha de compra original para obtener el servicio bajo garantía.</p>
<p><b><u>QUÉ ESTÁ CUBIERTO: GARANTÍA LIMITADA DE UN AÑO</u></b></p>	
<p>The Legacy Companies garantiza que el producto está libre de defectos en materiales y/o mano de obra por un período de doce (12) meses a partir de la fecha de compra por parte del propietario original. El plazo anterior comienza a correr a partir de la fecha de compra y no se detendrá, interrumpirá, extenderá ni suspenderá por ningún motivo, a menos que se describa en detalle en el documento de garantía. Durante un año a partir de la fecha de compra por parte del propietario original, The Legacy Companies, a su elección, reparará o reemplazará cualquier parte del producto que resulte ser defectuosa en material o mano de obra bajo uso normal. The Legacy Companies le proporcionará un producto razonablemente similar que sea nuevo o reacondicionado de fábrica. Durante este período, The Legacy Companies proporcionará todas las piezas y la mano de obra necesarias para corregir dichos defectos de forma gratuita, siempre y cuando el producto haya sido instalado y operado de acuerdo con las instrucciones escritas en este manual. En alquiler o uso comercial, el período de garantía es de 90 días.</p>	
<p><b><u>GARANTÍA LIMITADA DEL SEGUNDO AL QUINTO AÑO</u></b></p>	
<p>Desde el segundo hasta el quinto año a partir de la fecha de compra original, The Legacy Companies proporcionará un compresor de reemplazo sin cargo debido a una falla. Usted es responsable de la mano de obra del servicio y los cargos de flete. En alquiler o uso comercial, la garantía limitada del compresor es de un año y nueve meses. Los costos involucrados para trasladar el producto al centro de servicio y de regreso a la casa del usuario, según sea necesario, son responsabilidad del usuario.</p>	
<p><b><u>EXCLUSIONES DE LA GARANTÍA / LO QUE NO ESTÁ CUBIERTO:</u></b></p>	
<p>La cobertura de garantía descrita en este documento excluye todos los defectos o daños que no sean culpa directa de The Legacy Companies, incluidos, entre otros, uno o más de los siguientes:</p>	
<ul style="list-style-type: none"> <li>● Incumplimiento de los códigos, reglamentos o leyes estatales, locales, de la ciudad o del condado aplicables en materia de electricidad, plomería y/o construcción, incluido el hecho de no instalar el producto en estricta conformidad con los códigos y reglamentos locales contra incendios y de construcción.</li> <li>● Cualquier fuerza y factor externo, elemental y/o ambiental, incluidos, entre otros, lluvia, viento, arena, inundaciones, incendios, deslizamientos de lodo, temperaturas bajo cero, humedad excesiva o exposición prolongada a la humedad, relámpagos, subidas de tensión, fallas estructurales que rodean el aparato y actos de Dios.</li> </ul>	
<ul style="list-style-type: none"> <li>● Pérdidas de contenido de alimentos u otro contenido debido al deterioro.</li> <li>● Daños incidentales o consecuentes</li> <li>● Los costos de piezas y mano de obra para lo siguiente no se considerarán como garantía: <ul style="list-style-type: none"> <li>● Revestimientos de gabinetes de plástico.</li> <li>● Evaporador pinchado que anula la garantía del sistema sellado completo.</li> </ul> </li> </ul>	<ul style="list-style-type: none"> <li>● Costos de envío y manejo asociados con el reemplazo de la unidad.</li> <li>● Reparaciones realizadas por servicios no autorizados.</li> <li>● Llamadas de servicio relacionadas con problemas externos, como abuso, mal uso, energía eléctrica inadecuada, accidentes, incendios, inundaciones o cualquier otro acto de Dios.</li> <li>● Fallo del producto si se utiliza para un fin distinto al previsto.</li> <li>● La garantía no se aplica fuera de los EE. UU. continentales.</li> <li>● Recargos que incluyen, pero no se limitan a, llamadas de servicio fuera de hora, fines de semana o feriados, peajes, cargos por viaje en ferry o gastos de millaje para llamadas de servicio a Areas remotas.</li> </ul>
<p>En ningún caso, The Legacy Companies tendrá responsabilidad alguna por daños a la propiedad circundante, incluidos gabinetes, pisos, techos y otras estructuras y/u objetos alrededor del producto. También se excluyen de esta garantía los rasguños, muescas, abolladuras menores y otros daños estéticos en superficies externas y partes expuestas; Productos cuyos números de serie hayan sido alterados, desfigurados o eliminados; visitas de servicio para la educación del cliente, o visitas donde no hay ningún problema con el producto; corrección de problemas de instalación (usted es el único responsable de cualquier estructura y configuración del producto, incluidas todas las conexiones eléctricas, de plomería y/o de otro tipo). instalaciones, para cimientos/suelos adecuados y para cualquier alteración que incluya, entre otros, gabinetes, paredes, pisos, estanterías, etc., así como el restablecimiento de interruptores o fusibles.</p>	
<p><b><u>PRODUCTO FUERA DE GARANTÍA</u></b></p>	
<p>The Legacy Companies no tiene ninguna obligación, por ley o de otro tipo, de brindarle ninguna concesión, incluidas reparaciones, tarifas prorrateadas o reemplazo de productos una vez que esta garantía haya expirado.</p>	



## SÉCURITÉ DE LA MACHINE À GLAÇONS

### VOTRE SÉCURITÉ ET CELLE DES AUTRES SONT TRÈS IMPORTANTES.

Nous avons fourni de nombreux messages de sécurité importants dans ce manuel pour votre appareil. Lisez et respectez toujours tous les messages de sécurité.



C'est le symbole d'alerte de sécurité. Ce symbole vous avertit des dangers potentiels qui peuvent vous tuer ou vous blesser ainsi que d'autres personnes. Tous les messages de sécurité suivront le symbole d'alerte de sécurité

Et soit les mots « DANGER », « AVERTISSEMENT » ou « ATTENTION ».



Danger signifie que le non-respect de cette déclaration de sécurité peut entraîner des blessures graves ou la mort.



Avertissement signifie que le non-respect de cette déclaration de sécurité peut entraîner des dommages importants au produit, des blessures graves ou la mort.



Attention signifie que le non-respect de cette déclaration de sécurité peut entraîner des blessures légères ou modérées, des dommages matériels ou matériels.

Tous les messages de sécurité vous avertiront du danger potentiel, vous indiqueront comment réduire les risques de blessure et vous informeront de ce qui peut arriver si les instructions ne sont pas suivies.



### SOUTENIR. 65 AVERTISSEMENT POUR LES RÉSIDENTS DE CALIFORNIE

#### **ATTENTION:**

Cancer et troubles de la

reproduction [www.p65warnings.ca.gov](http://www.p65warnings.ca.gov)

## GUIDES DE SÉCURITÉ IMPORTANTS



Avant d'utiliser l'appareil, il doit être correctement positionné et installé comme décrit dans ce manuel, alors lisez attentivement le manuel. Pour réduire les risques d'incendie, de choc électrique ou blessures lors de l'utilisation de l'appareil, suivez les précautions de base, y compris les suivantes :

### **DANGER**

- Branchez dans une prise à 3 broches mise à la terre, ne retirez pas la broche de mise à la terre, n'utilisez pas d'adaptateur et n'utilisez pas de rallonge.
- Il est recommandé de prévoir un circuit séparé, desservant uniquement votre appareil. Utilisez des prises qui ne peuvent pas être fermées par un interrupteur ou une chaînette.
- Ne nettoyez jamais les pièces de l'appareil avec des liquides inflammables. Ces fumées peuvent créer un risque d'incendie ou d'explosion. Et ne stockez pas ou n'utilisez pas d'essence ou d'autres vapeurs et liquides inflammables à proximité de cet appareil ou de tout autre appareil. Les fumées peuvent créer un risque d'incendie ou d'explosion.
- Avant de procéder aux opérations de nettoyage et d'entretien, assurez-vous que la ligne électrique de l'unité est débranchée.
- Ne pas brancher ou débrancher la prise électrique avec les mains mouillées.
- Débranchez l'appareil ou coupez l'alimentation avant le nettoyage ou l'entretien. Le non-respect de cette consigne peut entraîner un choc électrique ou la mort.
- N'essayez pas de réparer ou de remplacer une pièce de votre appareil à moins que cela ne soit spécifiquement recommandé dans ce manuel. Toute autre réparation doit être confiée à un technicien qualifié.

### **WARNING**

#### SUIVEZ LES AVERTISSEMENTS CI-DESSOUS UNIQUEMENT LORSQU'APPLICABLES À VOTRE MODÈLE

- Utilisez deux personnes ou plus pour déplacer et installer l'appareil. Le non-respect de cette consigne peut entraîner des blessures au dos ou autres.
- Pour assurer une bonne ventilation de votre appareil, la face avant de l'appareil doit être complètement dégagée. Choisissez un endroit bien aéré avec des températures supérieures à 16 °C (60 °F) et inférieures à 32 °C (90 °F). Cet appareil doit être installé dans une zone protégée des éléments tels que le vent, la pluie, les projections d'eau ou les gouttes.
- L'appareil ne doit pas être placé à côté de fours, de grils ou d'autres sources de chaleur élevée.
- L'appareil doit être installé avec toutes les connexions électriques conformément aux codes nationaux et locaux. Une alimentation électrique standard (115 V ca uniquement, 60 Hz), correctement mise à la terre conformément au code national de l'électricité et aux codes et ordonnances locaux est requise.
- Ne pliez pas ou ne pincez pas le cordon d'alimentation de l'appareil.
- La taille du fusible (ou du disjoncteur) doit être de 15 ampères.
- Il est important que l'appareil soit de niveau pour fonctionner correctement. Vous devrez peut-être faire plusieurs ajustements pour le mettre à niveau.
- Vérifiez les fuites après le raccordement.
- Ne laissez jamais les enfants utiliser, jouer avec l'appareil.
- Bien que l'unité ait été testée en usine, en raison d'un transit et d'un stockage à long terme, le premier lot de cubes doit être jeté.
- Ne pas utiliser de nettoyeurs à base de solvants ou d'abrasifs à l'intérieur. Ces nettoyeurs peuvent endommager ou décolorer l'intérieur.
- N'utilisez pas cet appareil à d'autres fins que celles pour lesquelles il a été conçu.

---

## Aidez-nous à vous aider...

### Lisez attentivement ce guide.

Il est destiné à vous aider à faire fonctionner et à entretenir correctement votre nouvelle machine à glaçons.

Gardez-le à portée de main pour répondre à vos questions.

Si vous ne comprenez pas quelque chose ou si vous avez besoin plus d'aide, s'il vous plaît appelez:

**Le service client de The  
Legacy Companies  
800-220-5570**

Conservez la preuve de la date d'achat originale (telle que votre bordereau de vente) avec ce guide pour établir la période de garantie.

### Notez les numéros de modèle et de série.

Vous les trouverez sur une plaque située à l'arrière paroi de la machine à glaçons.

Veuillez écrire ces chiffres ici :

Date d'achat \_\_\_\_\_

\_\_\_\_\_  
Numéro de modèle

\_\_\_\_\_  
Numéro de série

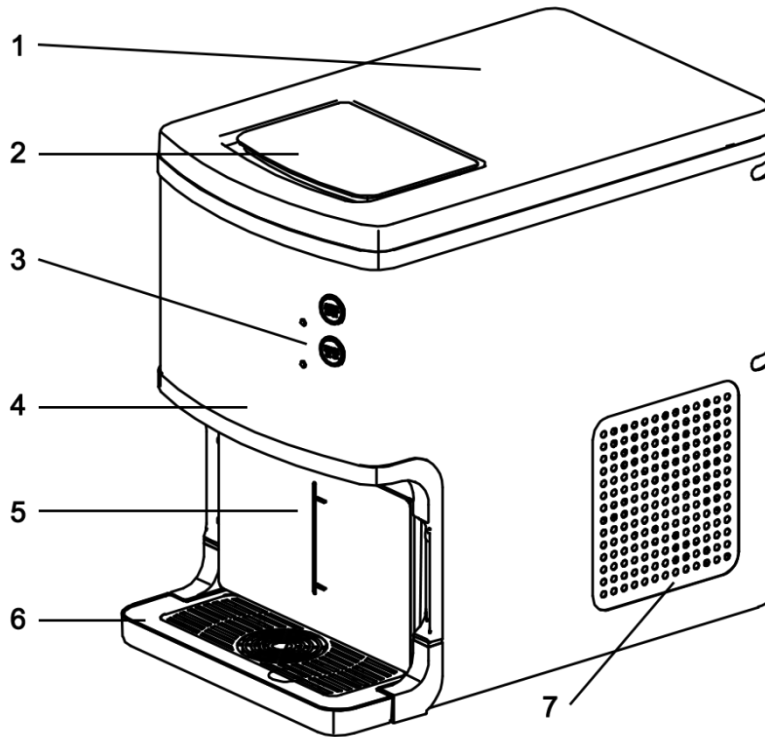
Utilisez ces numéros dans toute correspondance ou appel de service concernant votre machine à glaçons.

Si vous avez reçu une machine à glaçons endommagée, contactez immédiatement le revendeur (ou le constructeur) qui vous a vendu la machine à glaçons.

Gagnez du temps et de l'argent. Avant d'appeler le service, consultez le guide de dépannage. Il répertorie les causes des problèmes de fonctionnement mineurs que vous pouvez corriger vous-même.

---

## PIÈCES ET CARACTÉRISTIQUES



1	Couvercle supérieur	5	Réservoir d'eau
2	Fenêtre de glace	6	Lèchefrite
3	Panneau de commande	sept	Grille d'aération
4	Cabinet		

## SPÉCIFICATIONS DU PRODUIT

<b>Numéro de modèle :</b>	NG30
<b>tension:</b>	110-120V
<b>La fréquence:</b>	60Hz
<b>Courant:</b>	1,39 A (167 W)
<b>Réfrigérant/Poids :</b>	R600a / 0.88 oz
<b>Poids net:</b>	34 livres
<b>Dimensions:</b>	16,5" x 10,6" x 16,5"
<b>Certificats :</b>	ETL

Fonctionnalités du panneau de commande	
1 – Voyant lumineux – Marche/Arrêt	
2 – Bouton Marche/Arrêt	
3 - Voyant d'alarme de glace pleine (vert)	
4 – Témoin lumineux – Système de fabrication de glace	
5 – Bouton de fabrication/distribution de glaçons	
6 - Voyant d'alarme d'ajout d'eau (rouge)	

## CONSIGNES DE SÉCURITÉ IMPORTANTES

<b>⚡AVERTISSEMENT⚡</b>	Pour réduire le risque d'incendie, d'électrocution ou de blessure lors de l'utilisation de votre machine à glaçons, suivez ces précautions de base :
<ul style="list-style-type: none"><li>• Lisez toutes les instructions avant d'utiliser la machine à glaçons.</li><li>• <b>Danger ou avertissement:</b> Risque de piégeage d'enfants.</li><li>• Le piégeage et la suffocation des enfants ne sont pas des problèmes du passé. Les appareils jetés ou abandonnés sont toujours dangereux... même s'ils « resteront dans le garage quelques jours ».</li><li>• Ne laissez jamais les enfants utiliser, jouer avec ou ramper à l'intérieur de l'appareil.</li><li>• Ne nettoyez jamais les pièces de la machine à glaçons avec des liquides inflammables. Les fumées peuvent créer un risque d'incendie ou d'explosion.</li><li>• Débranchez la machine à glaçons avant de la nettoyer ou d'effectuer des réparations.</li><li>• Faites preuve de prudence et faites preuve d'une supervision raisonnable lorsque l'appareil est utilisé à proximité d'enfants. Ne basculez pas.</li><li>• Ne stockez pas et n'utilisez pas d'essence ou d'autres vapeurs et liquides inflammables à proximité de cette machine à glaçons ou de toute autre machine à glaçons. Les fumées peuvent créer un risque d'incendie ou d'explosion.</li><li>• Cet appareil est destiné à être utilisé dans des applications domestiques et similaires, telles que : les cuisines du personnel dans les magasins, les bureaux et autres environnements de travail ; Fermes et par des clients dans des hôtels, des motels et d'autres environnements de type résidentiel ; Environnements de type chambres d'hôtes ; Restauration et applications similaires non commerciales.</li><li>• Si la machine à glaçons est amenée à l'intérieur depuis l'extérieur pendant l'hiver, laissez-la se réchauffer pendant quelques heures à température ambiante avant de la brancher.</li><li>• Remplir avec de l'eau potable uniquement.</li></ul> <p style="text-align: center;">-conservez ces instructions-</p>	

## INSTRUCTIONS D'INSTALLATION

### ➤ Avant d'utiliser votre machine à glaçons

- Retirer l'emballage extérieur et intérieur.
- Vérifiez que vous disposez de toutes les pièces suivantes :
  - 1 manuel d'instructions
  - 1 machine à glaçons
  - 1 bac à eau
- Avant de brancher la machine à glaçons à la source d'alimentation, laissez-la debout pendant environ 2 heures. Cela réduira la possibilité d'un dysfonctionnement du système de refroidissement dû à la manipulation pendant le transport.
- Avant d'utiliser ce produit, placez la machine sur une plate-forme.
- Veuillez garder la machine à glaçons en ébullition 24 heures après réception de la machine.
- Veuillez vous assurer que le drain arrière est fermement bouché avant d'ajouter de l'eau au réservoir d'eau.
- Nettoyez la surface intérieure à l'eau tiède à l'aide d'un chiffon doux.

### ➤ Installation de votre machine à glaçons

- Placez la machine à glaçons à l'abri de la lumière directe du soleil et des sources de chaleur (cuisinière, radiateur, etc.). La lumière directe du soleil peut affecter le revêtement peint et les sources de chaleur peuvent augmenter la consommation électrique. Des températures ambiantes extrêmement froides peuvent également empêcher la machine à glaçons de fonctionner correctement.
- Branchez la machine à glaçons dans une prise murale exclusive correctement installée et mise à la terre. Ne sous aucun  
couper ou retirer la troisième broche (terre) du cordon d'alimentation. Toute question concernant l'alimentation et/ou la mise à la terre doit être adressée à un électricien certifié ou à un centre de service de produits agréé.

**IMPORTANT : N'installez pas la machine à glaçons près d'un four, d'un radiateur ou de toute autre source de chaleur.**

## ➤ **CONNEXION ÉLECTRIQUE**

### **⚡ Avertissement ⚡**

Une mauvaise utilisation de la fiche mise à la terre peut entraîner un risque de choc électrique. Si le cordon d'alimentation est endommagé, faites-le remplacer par un centre de service agréé par The Legacy Company.

Cet appareil doit être correctement mis à la terre pour votre sécurité. Le cordon d'alimentation de cet appareil est équipé d'une fiche à trois broches qui s'accouple avec les prises murales standard à trois broches pour minimiser les risques de choc électrique.

Ne coupez ou ne retirez en aucun cas la troisième broche de terre du cordon d'alimentation fourni. Pour votre sécurité personnelle, cet appareil doit être correctement mis à la terre.

Cet appareil nécessite une prise de terre électrique standard de 115/120 volts ca ~/60 Hz à trois broches. Faites vérifier la prise murale et le circuit par un électricien qualifié pour vous assurer que la prise est correctement mise à la terre. Lorsqu'une prise murale standard à 2 broches est rencontrée, il est de votre responsabilité et obligation de la faire remplacer par une prise murale à 3 broches correctement mise à la terre.

Le cordon doit être fixé à l'arrière de l'appareil et ne pas être laissé exposé ou pendre pour éviter les blessures accidentelles.

L'appareil doit toujours être branché sur sa propre prise électrique individuelle dont la tension nominale correspond à l'étiquette signalétique de l'appareil. Cela offre les meilleures performances et évite également de surcharger les circuits de câblage de la maison qui pourraient provoquer un risque d'incendie en cas de surchauffe. Ne jamais débrancher l'appareil en tirant sur le cordon d'alimentation. Tenez toujours fermement la fiche et tirez-la tout droit hors de la prise. Réparez ou remplacez immédiatement tous les cordons d'alimentation qui se sont effilochés ou autrement endommagés. N'utilisez pas un cordon qui présente des fissures ou des dommages dus à l'abrasion sur sa longueur ou à chaque extrémité. Lorsque vous déplacez l'appareil, veillez à ne pas endommager le cordon d'alimentation.

## ➤ **RALLONGE ÉLECTRIQUE**

En raison des risques potentiels pour la sécurité dans certaines conditions, il est fortement recommandé de ne pas utiliser de rallonge avec cet appareil. Cependant, si vous devez utiliser une rallonge, il est nécessaire qu'il s'agisse d'une rallonge d'appareil de type 3 fils avec mise à la terre homologuée UL/CUL, dotée d'une fiche et d'une prise de terre et que la puissance électrique du cordon soit de 115 volts et à moins 10 ampères.

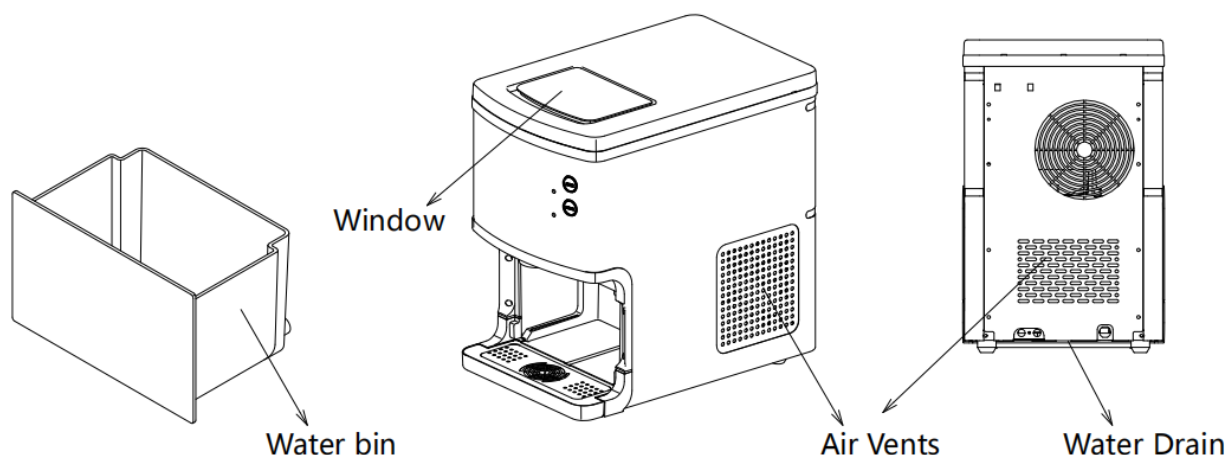
## ➤ **PROTECTION CONTRE LES SURTENSIONS**

La plupart des appareils électriques utilisent une série de tableaux de commande électriques pour fonctionner. Ces cartes sont très sensibles aux surtensions et pourraient être endommagées ou détruites.

Si l'appareil va être utilisé dans une zone ou si votre ville/pays est sujet à des surtensions/pannes de courant ; il est suggéré d'utiliser un parasurtenseur pour tous les appareils / appareils électriques que vous utilisez. Le parasurtenseur que vous sélectionnez doit avoir un bloc de surtension suffisamment élevé pour protéger l'appareil auquel il est connecté. Si vous avez des questions concernant le type et la taille du protecteur de surtension nécessaire, contactez un électricien agréé dans votre région.

Les dommages dus aux surtensions ne sont pas considérés comme un défaut couvert par le fabricant et annuleront la garantie de votre produit.

## APPRENDRE À CONNAÎTRE VOTRE MACHINE À GLAÇONS



1. Bac à eau : utilisé pour stocker l'eau.
2. Fenêtre de glace : vous permet de vérifier la quantité de glace produite sans avoir à ouvrir le dessus et à laisser entrer de l'air chaud.
3. Bouches d'aération : situées à l'arrière et sur les côtés de l'appareil, ces bouches d'aération aident à empêcher la machine à glaçons de surchauffer. Veuillez laisser au moins six pouces d'espace tout autour de l'appareil pour une bonne ventilation.
4. Vidange d'eau : Permet de vider facilement l'eau du réservoir.
5. Ligne de remplissage max : à l'intérieur du réservoir d'eau sous le bac à glaçons se trouve une ligne marquée « MAX ». Ne remplissez pas le réservoir d'eau au-dessus de cette ligne.

## FONCTIONNEMENT DE VOTRE MACHINE À GLAÇONS

### ➤ Commandes/voyants :

#### **MODE VEILLE**

Une fois que vous avez branché votre machine à glaçons, trois anneaux LED rouges s'allumeront pour indiquer que l'appareil attend de produire de la glace. Il ne fera pas de lots tant que l'unité n'aura pas été activée avec le bouton d'alimentation.

#### **BOUTON D'ALIMENTATION**

Appuyez une fois sur le bouton d'alimentation pour allumer votre machine à glaçons. Une fois allumé, un anneau LED bleu s'allumera et l'appareil commencera à fabriquer de la glace. Pour éteindre l'appareil, maintenez le bouton d'alimentation enfoncé pendant 3 secondes. L'anneau LED rouge s'allumera et la machine à glaçons reviendra en mode veille.

#### **DISPENSER**

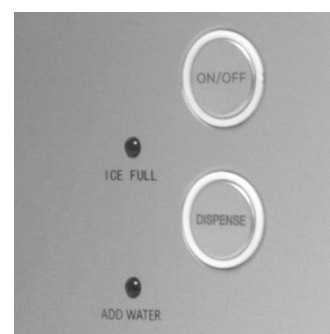
Appuyez sur le bouton "DISPENSE" et maintenez-le enfoncé pendant n'importe quel mode, le voyant "ice out" clignote et les glaçons sortent après 2 secondes.

#### **PLEIN DE GLACE**

Il y a un capteur infrarouge qui aide à détecter quand le bac à glaçons est plein. Lorsque le bac est plein, la production de glaçons sera maintenue pendant 20 minutes, puis la machine à glaçons affichera "Glace pleine", l'appareil s'éteindra et l'indicateur "Glace pleine" s'allumera. Pour redémarrer le processus de production de glace, videz le panier à glace et la machine redémarrera automatiquement la production de glace.

#### **AJOUTEZ DE L'EAU**

Lorsque le voyant "Ajouter de l'eau" s'allume, l'appareil s'éteint et vous devrez verser plus d'eau dans le bac à eau sous le panier à glace. Après avoir rempli le bac à eau, appuyez une fois sur le bouton d'alimentation pour redémarrer le processus de production de glace. L'appareil produira continuellement de la glace s'il y a de l'eau dans le réservoir et que le bac à glaçons n'est pas plein.





## Mode d'emploi

### **Déballage de votre machine à glaçons**

1. Retirez tous les emballages extérieurs et intérieurs. Assurez-vous que le panier à glace et la pelle à glace sont inclus. Si une pièce ou un accessoire est manquant, veuillez contacter notre service client.
2. Nettoyez l'intérieur avec de l'eau tiède et un chiffon doux. Retirez le panier à glace et lavez-le à l'eau tiède.
3. Nettoyer les cannes de l'évaporateur à l'aide d'une solution eau/vinaigre.
4. Trouvez un emplacement pour votre machine à glaçons à l'abri de la lumière directe du soleil, et vous aurez besoin de six pouces d'espace entre l'arrière et les côtés de votre machine à glaçons et le mur.

### **Connexion de votre machine à glaçons**

1. Cet appareil doit être correctement mis à la terre pour votre sécurité.
2. Branchez l'appareil directement dans une prise de courant alternatif de 120 V appropriée qui est correctement installée et mise à la terre conformément à tous les codes et ordonnances locaux.

**ATTENTION:** Une mauvaise utilisation de la fiche mise à la terre peut entraîner un risque de choc électrique. Si le cordon d'alimentation est endommagé, veuillez appeler notre service clientèle.

### **Utilisation de votre machine à glaçons**

1. Appuyez sur le bouton "ON/OFF" après avoir branché la machine à glaçons et elle commencera à fonctionner.  
**Pointe:** Vous pouvez utiliser de l'eau potable.
2. Ouvrez le couvercle, retirez le panier à glace et versez de l'eau dans le réservoir, assurez-vous qu'il ne dépasse pas le niveau d'eau maximum. Remettez le panier à glace dans la machine et fermez le couvercle.  
**Pointe:** Gardez l'eau sous le panier à glace.
3. Lorsque la machine à glaçons est en marche, vérifiez périodiquement le niveau d'eau. Si la pompe à eau ne peut pas injecter de l'eau, la machine à glaçons s'arrêtera automatiquement et l'indicateur « Ajouter de l'eau » s'allumera. Appuyez sur le bouton "ON/OFF", remplissez d'eau jusqu'au repère de niveau et appuyez à nouveau sur le bouton "ON/OFF".
4. La machine à glaçons s'arrête automatiquement lorsque le panier à glaçons est plein. L'indicateur « ICE FULL » s'allume lorsque le bac à glaçons est plein. Pour redémarrer la fabrication de glaçons, veuillez retirer les glaçons, puis appuyez sur « ON/OFF ».
5. Changez l'eau du réservoir d'eau toutes les vingt-quatre heures pour assurer un niveau d'hygiène raisonnable. Si l'appareil n'est pas utilisé pendant quelques jours, vidangez toute l'eau du réservoir et remplissez-le avant de l'utiliser à nouveau.
6. Le niveau d'eau minimum est de 1,5" et le niveau d'eau maximum est de 3". L'indicateur « AJOUTER DE L'EAU » s'allume lorsque le niveau d'eau est bas. Pour redémarrer, veuillez ajouter de l'eau, puis appuyez sur le bouton "ON/OFF".
7. Pour de meilleures performances, la température de l'eau doit être comprise entre 7 °C (45 °F) et 35 °C (95 °F) et la température ambiante entre 15 °C (59 °F) et 25 °C (77 °F).
8. La capacité réelle de fabrication de glace dépendra de la température ambiante de l'environnement de la machine à glace ainsi que de la température et de la qualité de l'eau utilisée pour fabriquer la glace.

## SOIN ET ENTRETIEN

**ATTENTION : Si vous ne débranchez pas la machine à glaçons, vous risquez de vous électrocuter ou de vous blesser.**

### ➤ Nettoyer votre machine à glaçons

Avant d'utiliser votre machine à glaçons, il est fortement recommandé de la nettoyer soigneusement.

- Pour assurer la propreté des glaçons, il est recommandé d'utiliser de l'eau filtrée.
- Retirez le panier à glace.
- Retirez le bouchon de vidange pour vidanger l'eau restante du réservoir d'eau lorsque la machine à glaçons ne sera pas utilisée pendant une longue période. Remettez le bouchon de vidange en place une fois l'eau vidangée.
- Changez toujours avec de l'eau douce avant de démarrer la production de glace lors de l'installation initiale ou après de longues périodes d'arrêt.
- Séchez l'intérieur et l'extérieur avec un chiffon doux.
- Veuillez nettoyer régulièrement votre machine à glaçons. Lors du nettoyage, débranchez l'appareil et retirez les glaçons. Utilisez une solution diluée d'eau et de vinaigre pour nettoyer l'intérieur et la surface extérieure de la machine à glaçons. Ne vaporisez pas la machine à glaçons avec des produits chimiques ou des agents dilués tels que des acides, de l'essence ou de l'huile. Rincez abondamment avant de commencer.
- Lorsque la machine n'est pas utilisée, ouvrez le bouchon de vidange pour vider complètement l'eau du réservoir d'eau.

### ➤ Espace requis

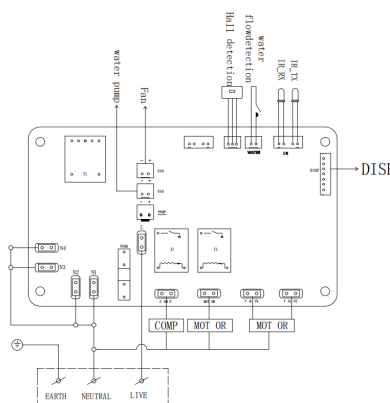
- Pendant le transport, l'angle d'inclinaison de l'armoire ne doit pas dépasser 45°
- Ne retournez pas la machine à glaçons. Des problèmes pourraient survenir dans le compresseur et le système scellé.
- La machine à glaçons doit être placée horizontalement sur une surface correctement nivelée.
- Pour assurer une bonne ventilation de votre machine à glaçons, laissez 6 po d'espace en haut, à l'arrière et de chaque côté.
- Avant d'utiliser la machine à glaçons pour la première fois, veuillez attendre 2 heures après l'avoir positionnée.
- Nettoyez la doublure intérieure, le bac à glaçons et le bac à eau.

**IMPORTANT : N'installez pas la machine à glaçons près d'un four, d'un radiateur ou de toute autre source de chaleur.**

### ➤ Panne électrique

La plupart des pannes de courant sont corrigées en quelques heures et ne devraient pas affecter la température de votre machine à glaçons si vous minimisez le nombre d'ouvertures du bac à glaçons. Si l'alimentation doit être coupée pendant une longue période de temps, vous devez prendre les mesures appropriées pour débrancher votre appareil.

## SCHÉMA ÉLECTRIQUE



## DES PROBLÈMES AVEC VOTRE MACHINE À GLAÇONS ?

Vous pouvez résoudre facilement de nombreux problèmes courants de machine à glaçons, ce qui vous permet d'économiser le coût d'un éventuel appel de service. Essayez les suggestions ci-dessous pour voir si vous pouvez résoudre le problème avant d'appeler le réparateur.

### GUIDE DE DÉPANNAGE

Problème	Cause possible	Solutions suggérées
<b>L'indicateur "AJOUTER DE L'EAU" est allumé.</b>	Le niveau d'eau est bas.	Arrêtez la machine à glaçons, remplissez d'eau et redémarrez.
<b>L'indicateur "ICE FULL" est allumé.</b>	Le panier à glace est plein. Le capteur de glace est cassé. La pelle à glace est coincée.	Retirez la glace du panier. Appuyez sur "ON/OFF" pour démarrer la machine à glaçons de force ou contactez-nous pour changer le capteur. Vérifiez si la glace bloque la pelle à glace et retirez la glace.
<b>Les glaçons collent ensemble.</b>	Le cycle de fabrication de glace est trop long. La partie des tiges de l'évaporateur dans la glacière est trop grande. La température de l'eau dans le réservoir intérieur est trop basse.	Arrêtez la machine à glaçons et redémarrez lorsque les blocs de glace fondent. Changer l'eau du réservoir. Utilisez de l'eau entre 46°F et 89°F.
<b>La glace est pleine mais la lumière est éteinte.</b>	L'emplacement de la lumière de la machine à glaçons est trop fort et cela affecte la détection infrarouge.	Déplacez la machine à glaçons près d'un endroit plus sombre.
<b>Les voyants sont éteints.</b>	Fusible grillé/pas d'alimentation/disjoncteur grillé	Remplacez le fusible / mettez sous tension.
<b>Le cycle de fabrication de glace est normal mais il n'y a pas de glace.</b>	La température ambiante ou la température de l'eau est trop élevée. Fuite de liquide réfrigérant Le tuyau du système de refroidissement est bouché.	Veillez faire fonctionner la machine à glaçons en dessous de la température ambiante de 89°F et utiliser de l'eau froide. Contactez le service à la clientèle. Contactez le service à la clientèle.

**Noter:** Les bruits sont normaux lors du fonctionnement de cette machine à glaçons : un clic lorsque la machine est allumée ou éteinte ; un bruit d'ébullition, de gargouillis ou de cognement lorsque le réfrigérant circule dans les tuyaux ; clic fort lorsque des glaçons tombent dans le seau.

### Service pour votre machine à glaçons

Nous sommes fiers de notre organisation de service à la clientèle et du réseau de techniciens de service professionnels qui assurent l'entretien de votre machine à glaçons. Avec l'achat de votre machine à glaçons, vous pouvez être sûr que si jamais vous avez besoin d'informations ou d'assistance supplémentaires, l'équipe du service client d' The Legacy Companies sera là pour vous. Appelez-nous sans frais.

#### Services à la clientèle

Informations sur le produit 800-323-5029	Quelles que soient vos questions sur nos produits, de l'aide est disponible.
--	--

<p><b>VOS THE LEGACY COMPANIES GARANTIE DES PRODUITS</b></p>	<p>Agrafez votre ticket de caisse ici. Une preuve de la date d'achat originale est nécessaire pour obtenir un service sous garantie.</p>
<p><b><u>CE QUI EST COUVERT - GARANTIE LIMITÉE D'UN AN</u></b>  The Legacy Companies garantit que le produit est exempt de défauts de matériaux et/ou de fabrication pendant une période de douze (12) mois à compter de la date d'achat par le propriétaire d'origine. Le délai ci-dessus commence à courir à la date d'achat et ne doit pas être bloqué, péage, prolongé ou suspendu pour quelque raison que ce soit, sauf si décrit en détail dans le document de garantie. Pendant un an à compter de la date d'achat par le propriétaire d'origine, The Legacy Companies réparera ou remplacera, à sa discrétion, toute pièce du produit qui s'avère défectueuse au niveau des matériaux ou de la fabrication dans des conditions normales d'utilisation. The Legacy Companies vous fournira un produit raisonnablement similaire, neuf ou remis à neuf en usine. Pendant cette période, The Legacy Companies fournira gratuitement toutes les pièces et la main-d'œuvre nécessaires pour corriger ces défauts, tant que le produit a été installé et utilisé conformément aux instructions écrites de ce manuel. En utilisation locative ou commerciale, la période de garantie est de 90 jours.</p>	
<p><b><u>GARANTIE LIMITÉE DE LA DEUXIÈME À LA CINQUIÈME ANNÉE</u></b>  De la deuxième à la cinquième année à compter de la date d'achat d'origine, The Legacy Companies fournira gratuitement un compresseur de remplacement en cas de panne. Vous êtes responsable des frais de main-d'œuvre et de transport. Dans le cadre d'un usage locatif ou commercial, la garantie limitée du compresseur est d'un an et neuf mois. Les coûts liés au déplacement du produit vers le centre de service et son retour au domicile de l'utilisateur, le cas échéant, sont à la charge de l'utilisateur.</p>	
<p><b><u>EXCLUSIONS DE GARANTIE / CE QUI N'EST PAS COUVERT :</u></b>  La couverture de garantie décrite ici exclut tous les défauts ou dommages qui ne sont pas la faute directe de The Legacy Companies, y compris, sans s'y limiter, un ou plusieurs des éléments suivants :</p>	
<ul style="list-style-type: none"> <li>● Un non-respect des codes, réglementations ou lois applicables en matière d'électricité, de plomberie et / ou de construction, d'État, locaux, municipaux ou de comté, y compris le défaut d'installer le produit en stricte conformité avec les codes et réglementations locaux en matière d'incendie et de construction.</li> <li>● Toutes les forces et facteurs externes, élémentaires et/ou environnementaux, y compris, sans s'y limiter, la pluie, le vent, le sable, les inondations, les incendies, les coulées de boue, les températures glaciales, l'humidité excessive ou l'exposition prolongée à l'humidité, la foudre, les surtensions, les défaillances structurelles entourant l'appareil et les actes de Dieu.</li> </ul>	
<ul style="list-style-type: none"> <li>● Pertes de contenu d'aliments ou d'autres contenus dues à la détérioration.</li> <li>● Dommages indirects ou consécutifs</li> <li>● Les coûts des pièces et de la main-d'œuvre pour les éléments suivants ne seront pas considérés comme une garantie : <ul style="list-style-type: none"> <li>● Doublures d'armoires en plastique.</li> <li>● Évaporateur perforé qui annule la garantie sur le système scellé complet.</li> </ul> </li> </ul>	<ul style="list-style-type: none"> <li>● Frais d'expédition et de manutention associés au remplacement de l'unité.</li> <li>● Réparations effectuées par des réparateurs non agréés.</li> <li>● Appels de service liés à des problèmes externes, tels que des abus, une mauvaise utilisation, une alimentation électrique inadéquate, des accidents, des incendies, des inondations ou tout autre acte de Dieu.</li> <li>● Défaillance du produit s'il est utilisé à d'autres fins que celles pour lesquelles il a été conçu.</li> <li>● La garantie ne s'applique pas en dehors de la zone continentale des États-Unis.</li> <li>● Les suppléments, y compris, mais sans s'y limiter, les appels de service après les heures, le week-end ou les jours fériés, les péages, les frais de trajet en ferry ou les frais de kilométrage pour les appels de service à les régions éloignées.</li> </ul>
<p>En aucun cas, The Legacy Companies n'assumera quelque responsabilité que ce soit pour les dommages causés aux biens environnants, y compris les armoires, les sols, les plafonds et autres structures et/ou objets autour du produit. Sont également exclus de cette garantie les rayures, les entailles, les bosses mineures et autres dommages esthétiques sur les surfaces externes et les pièces exposées ; Produits sur lesquels les numéros de série ont été modifiés, dégradés ou supprimés ; visites de service pour l'éducation des clients ou visites où il n'y a aucun problème avec le produit ; correction des problèmes d'installation (vous êtes seul responsable de toute structure et de tout réglage du produit, y compris tous les raccordements électriques, de plomberie et/ou autres installations, pour une fondation / un revêtement de sol appropriés et pour toute modification, y compris, sans s'y limiter, les armoires, les murs, les sols, les étagères, etc., ainsi que la réinitialisation des disjoncteurs ou des fusibles.</p>	
<p><b><u>PRODUIT HORS GARANTIE</u></b>  The Legacy Companies n'a aucune obligation, légale ou autre, de vous fournir des concessions, y compris des réparations, des tarifs au prorata ou le remplacement du produit une fois que cette garantie a expiré.</p> <p style="text-align: right;"><small>GARANTIE - REFRIGERATION - COMPRESSEUR</small></p>	



## Registration Information

Thank you for purchasing this fine Legacy Companies' product. Please fill out this form and return it to the following address within 100 days from the date of purchase and receive these important benefits:

**The Legacy Companies**  
**3355 Enterprise Ave**  
**Weston, FL 33331**

➤ **Protect your product:**

We will keep the model number and date of purchase of your new product on file to help you refer to this information in the event of an insurance claim such as fire or theft.

➤ **Promote better products:**

We value your input. Your responses will help us develop products designed to best meet your future needs.

------(detach here)-----

### The Legacy Companies Registration Card

Name	Model #	Serial #
Address	Date Purchased	Store / Dealer Name
City            State            Zip	E-mail Address	
Area Code    Phone Number	Occupation	
<b>Did You Purchase An Additional Warranty</b> <input type="checkbox"/> Extended <input type="checkbox"/> None	<b>As your Primary Residence, Do You:</b> <input type="checkbox"/> Own <input type="checkbox"/> Rent	
<b>Reason for Choosing this Product: Please indicate the most important factors That influenced your decision to purchase this product:</b> <input type="checkbox"/> Price <input type="checkbox"/> Product Features <input type="checkbox"/> Product Quality <input type="checkbox"/> Salesperson Recommendation <input type="checkbox"/> Other: _____ <input type="checkbox"/> Friend / Relative Recommendation <input type="checkbox"/> Warranty <input type="checkbox"/> Other: _____	<b>Your Age:</b> <input type="checkbox"/> under 18 <input type="checkbox"/> 18-25 <input type="checkbox"/> 26-30 <input type="checkbox"/> 31-35 <input type="checkbox"/> 36-50 <input type="checkbox"/> over 50 <b>Marital Status:</b> <input type="checkbox"/> Married <input type="checkbox"/> Single	
<b>Comments:</b>    	<b>Is This Product Used In The:</b> <input type="checkbox"/> Home <input type="checkbox"/> Business  <b>How Did You Learn About This Product:</b> <input type="checkbox"/> Advertising <input type="checkbox"/> In-Store Demo <input type="checkbox"/> Personal Demo	

