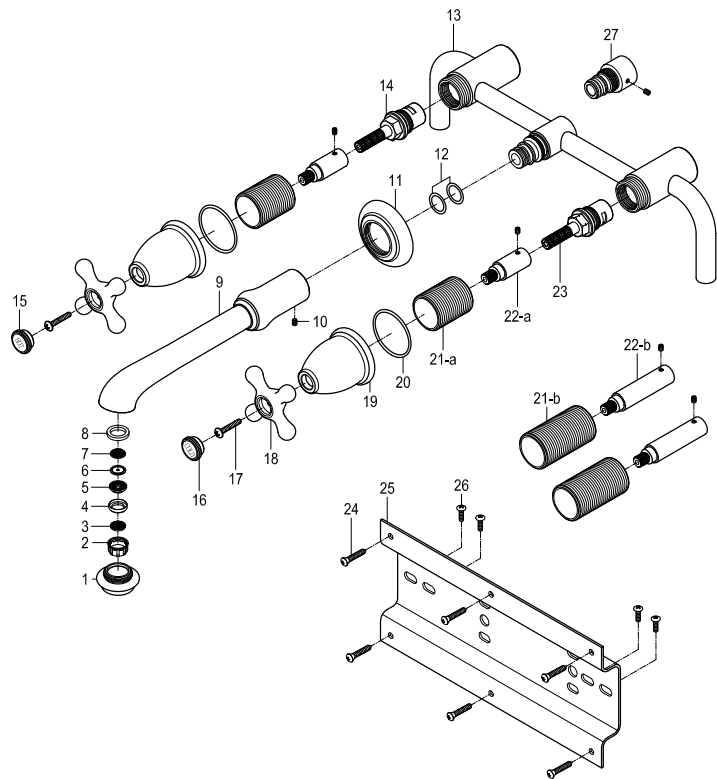
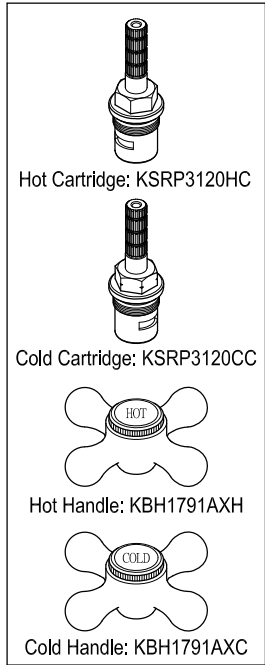


**Parts:**

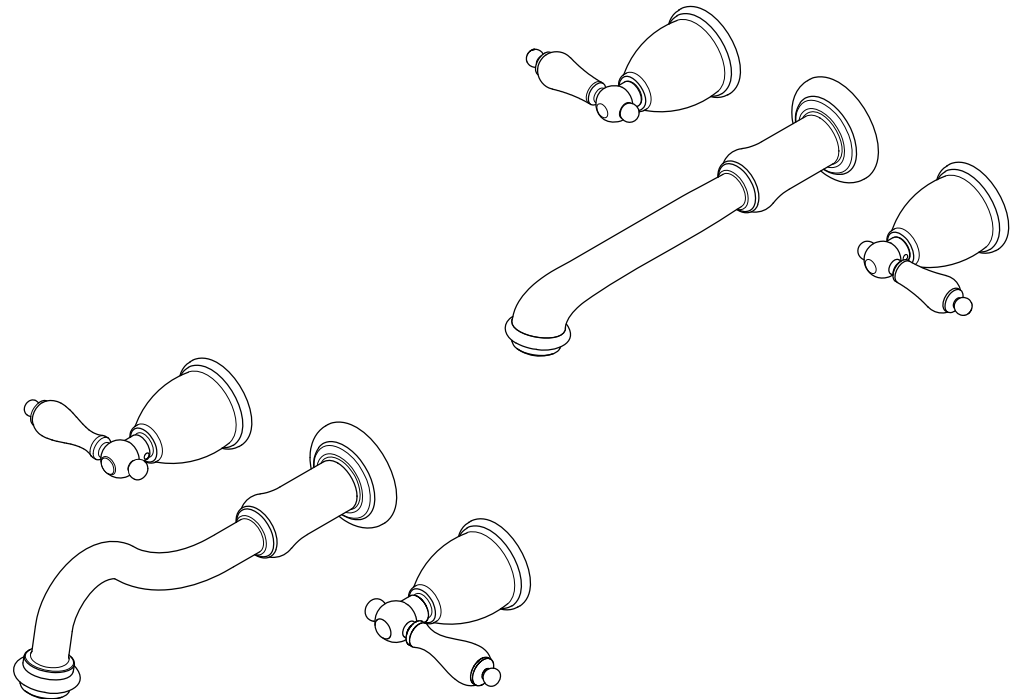


**Replacement Parts:**



# KINGSTON

KITCHEN & BATH



www.kingstonbrass.com  
 TOLL-FREE CUSTOMER SERVICE: 1-877-2-KBRASS  
 TECHNICAL SUPPORT E-mail: service@kingstonbrass.com  
 12775 Reservoir Street, Chino, CA 91710

**Parts:**

Lock Screw	Mounting Screw	Mounting Plate	Long Brass Extension Adapter & Thread	Brass Extension Adapter & Thread	Extension Thread
4 Pcs	6 Pcs	1 Pc	2 Pcs	2 Pcs	1 Pc

## CARE AND MAINTENANCE OF YOUR FAUCET

Your Kingston Brass faucet has been finished to the most strict standards; however, due to the high content of minerals in the water, your finish may appear dull and tarnished after time. These are some do's and don'ts to maintain the luster on your faucet for many years to come.

**DO**

1. Use a silicon based caulking when installing.
2. Clean your faucet with only a mild soap and water solution.
3. Dry your faucet after using it.
4. Give it a coat of Carnauba Wax periodically.

**DON'T**

1. Use plumbers putty when installing the faucet.
2. Use any abrasive cleaning agents.

It may seem like a very simple and short list but it is that simple to maintain your faucet, looking shiny and new.

If your faucet is already looking somewhat dull and tarnished, before replacing it, try cleaning it with a 50/50 solution of vinegar and water, you may need to soak some rags and wrap around those stubborn areas, leave overnight and rinse completely in the morning, apply Carnauba wax once you have removed the mineral deposits.

**NOTICE**

Failure to follow all directions may cause leaks which may result in water damage

**CAUTION**

Failure to follow all installation directions may cause product to detach from the wall and cause serious injury

# KINGSTON

KITCHEN & BATH

## INSTALLATION INSTRUCTIONS

### Twin Handles Wall Mount Faucet

#### BEFORE BEGINNING INSTALLATION:

1. Flush all lines prior to installation.
2. Prepare location by securing 2 horizontal wood braces allowing for a 3" clearance in between the braces, the front surface of the braces should be placed at 2-1/4"~3-1/4" from the finished wall surface.



1. Prepare location by securing 2 horizontal wood braces allowing for a 3" clearance in between the braces, the front surface of the braces should be placed at 2-1/4"~3-1/4" from the finished wall surface.



2. Place bracket at the desired mounting location and mark position of holes.

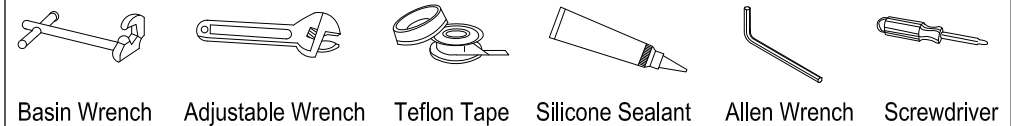


3. Secure valve assembly onto mounting plate with enclosed screws and secure plate to frame.



4. Weld both hot and cold water supply lines onto valve inlets. If your wall has a thickness of more than 1" you will need to replace the short stem extension and short threaded sleeve with KSRP3121EXT (long stem extension), KSEXTNUT3121V (long threaded sleeve) and KSEXTNUT3121S (spout extension) to accommodate the wall thickness.

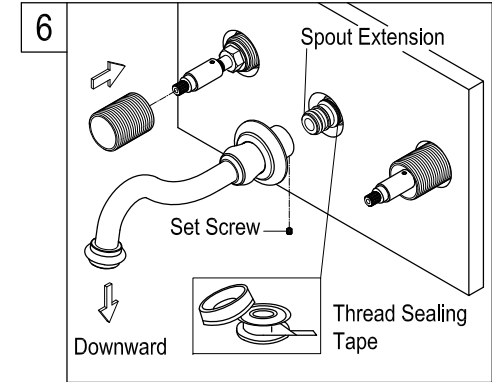
#### Need Tools:



#### After wall has been finished:



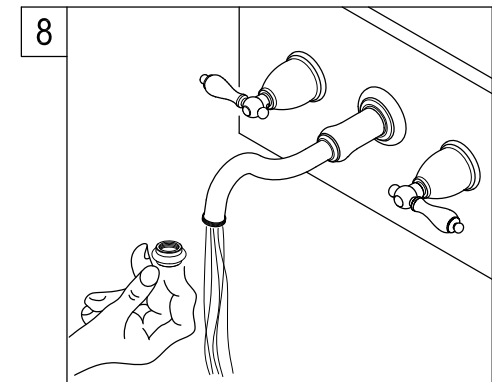
5. Remove both threaded sleeves, insert stem extension and make sure that the tip of the stem extension is approximately 2-1/2" from the finished wall surface, secure by tightening the set screw.



6. Attach spout extension if needed for wall thickness more than 1" and insert both extended threaded sleeves, apply Teflon tape to the spout extension and thread spout, make sure to thread the spout fully and then back thread until the spout is facing downward, secure with set screw at the back of the spout.



7. Thread handle bases and attach handles. Make sure handle operates freely without any resistance and in the desired direction, adjust as necessary, Apply a bead of silicon based caulking to the perimeter of the spout ring and slide back to the wall, clean any excess caulking.



8. Remove aerator and turn on both hot and cold valve, let water run for at least 1 minute, this will clear any debris remaining on the waterways, replace aerator.