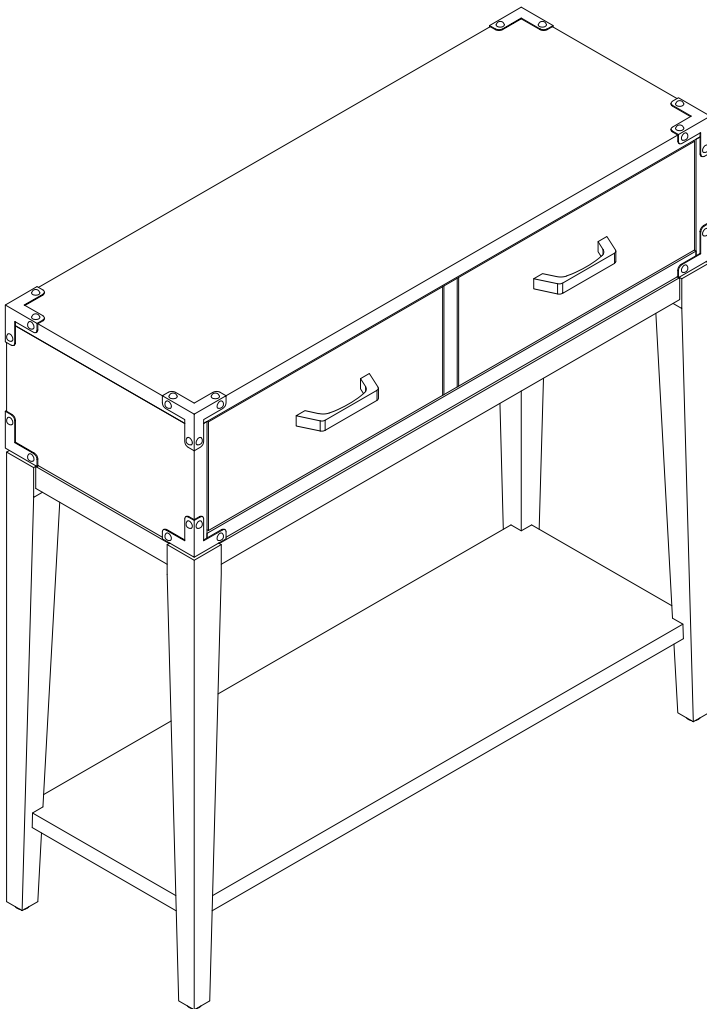


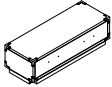
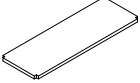




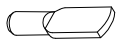



Assembly Instructions, #24032

Beckett Drawer Hall Console

Note:

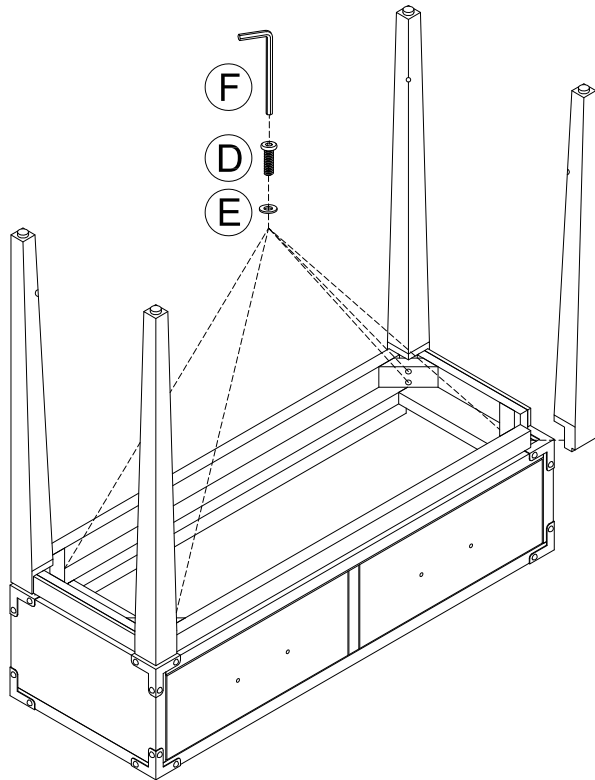
A packet with complete set of hardware can be found by pulling the red ribbon that's easily visible upon opening the box.



| | |
|-----------------------|---|
| A: Drawer Box |  |
| B: Shelf |  |
| C: (4) Legs |  |
| D: (8) Bolts |  |
| E: (8) Flat Washers |  |
| F: Allen Wrench |  |
| G: (4) Shelf Supports |  |
| H: (2) Door Pulls |  |
| I: (4) Machine Screws |  |
| J: Anti-tipping kits |  |

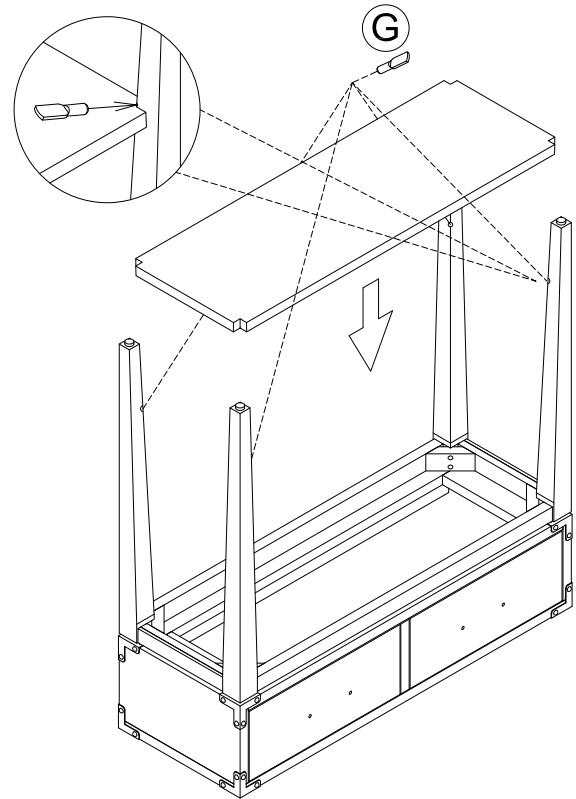
Step 1

- 1.1) Place the drawer box upside down on a soft surface, fasten 4 legs with bolts and flat washers.



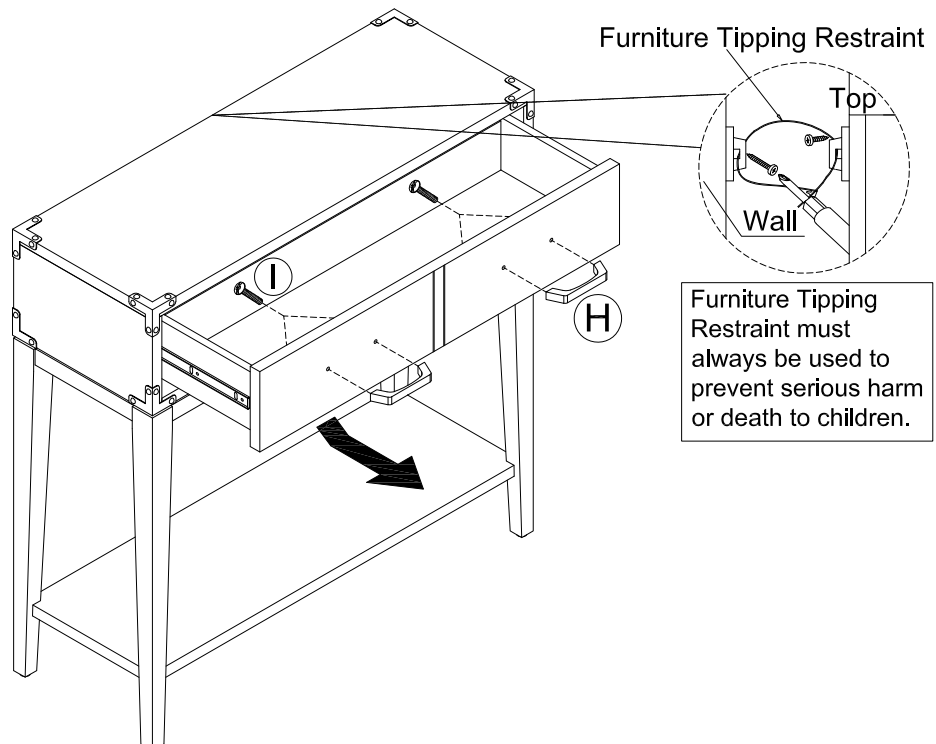
Step 2

- 2.1) Put the shelf upside-down between 4 legs until it goes past the shelf support holes.
2.2) Insert the shelf support into the holes.



Step 3

- 3.1) Flip the table upright. Open the drawer to install the drawer pull with 2 machine screws.
3.2) Fasten one part of the anti-tipping kit into the pre-drilled holes at the back of the assembled piece and another part into the wall. Loop the strap through the holes of the fastened parts and pull its end to tighten.



Furniture Tipping Restraint must always be used to prevent serious harm or death to children.