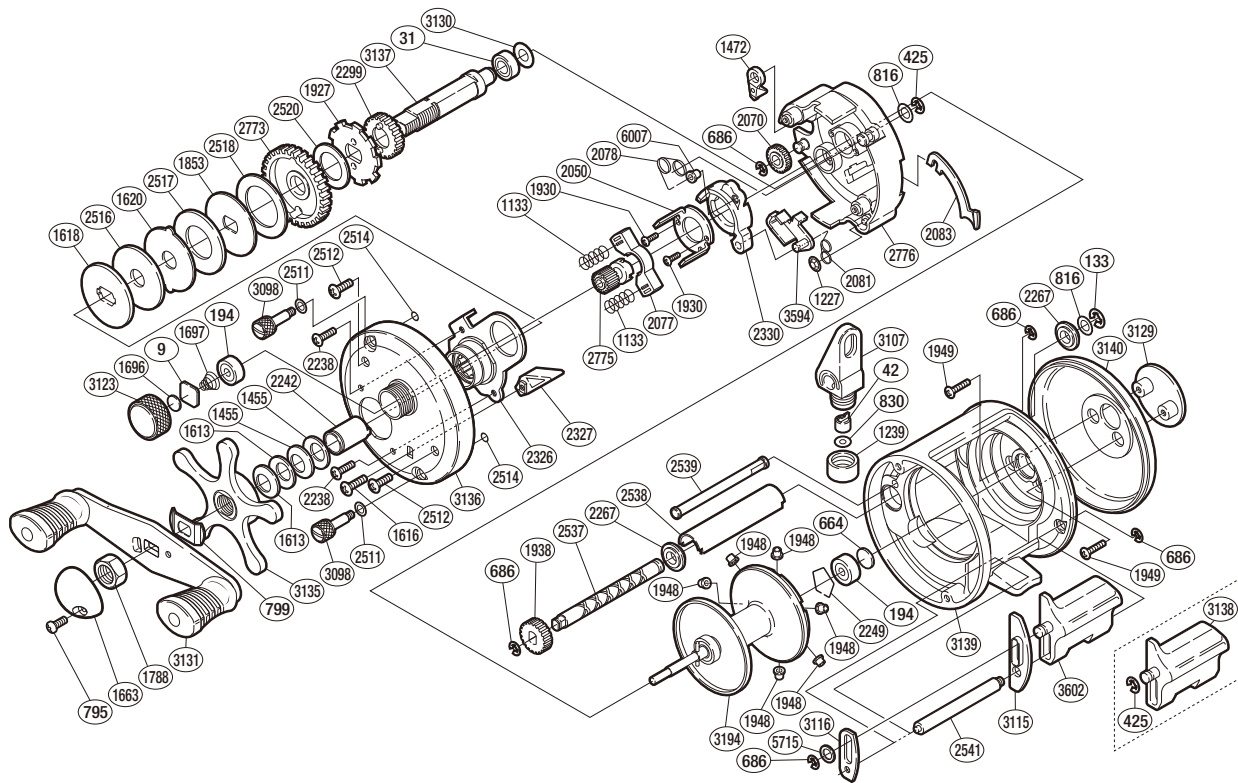


# SHIMANO

## CORVALUS

CVL-301



(51RH560301U)

#	Part No.	Description	#	Part No.	Description	#	Part No.	Description
9	105N0	Spacer	1927	109BE	Anti-Reverse Ratchet	2537	10HT8	Worm Shaft
31	105BL	Ball Bearing	1930	103NH	Screw	2538	10HVH	Level Wind Guard
42	10FFZ	Line Guide Pawl	1938	10BJ1	Idle Gear C	2539	10HW7	Stabilizer Bar
133	105NJ	E Lock	1948	10AH2	Brake Collar	2541	10N4X	Clutch Button Support Bar
194	105BX	Ball Bearing	1949	10LSR	Screw	2773	109D8	Drive Gear
425	105NE	E Lock	2050	10MB9	Clutch Cam Retainer	2775	10AHA	Pinion Gear
664	1057S	Spacer B	2070	105GZ	Idle Gear B	2776	10P6G	Set Plate
686	105NK	E Lock	2077	10N1K	Yoke	3098	106BK	Side Plate Nut
795	10QG1	Screw	2078	10N1N	Retractor Spring	3107	10KCG	Line Guide
799	107QJ	Friction Washer	2081	10N21	Clutch Pawl Spring	3115	10GDR	Clutch Button Guide A
816	109F6	Washer	2083	10GB4	Clutch Plate	3116	10GBF	Clutch Button Guide B
830	10CFX	Spacer	2238	10LF8	Screw	3123	106BS	Cast Control Cap
1133	104BL	Yoke Spring	2242	10MAR	Roller Clutch Inner Tube	3129	10LH2	Side I.D. Plate
1227	109H9	Push Nut (SPN-2)	2249	10548	Bearing Retainer	3130	10HV5	Washer
1239	10BHU	Pawl Cap	2267	10HT2	Worm Bushing B	3131	10B13	Handle Assembly
1455	1052E	Drag Spring Washer H	2299	10AQ9	Idle Gear A	3135	1082Q	Star Drag
1472	10P1Y	Anti-Reverse Pawl	2326	10NZD	Roller Clutch Assembly	3136	10JD8	Left Side Plate
1613	10EW3	Drag Spring Washer L	2327	10M5S	Return Pin Guide	3137	10MFW	Drive Shaft
1616	103GV	Screw	2330	10LYQ	Clutch Cam	3139	10LKQ	One-piece Frame
1618	10D4K	Key Washer C	2511	10KF8	Washer	3140	104TS	Right Side Plate
1620	10D48	Eared Washer	2512	10LFB	Screw	3194	10KEU	Spool Assembly
1663	10QBF	Handle Nut Plate	2514	10MB6	O Ring	3594	10NZJ	Clutch Pawl
1696	10896	Spacer	2516	10CJG	Drag Washer AG	3602	10TZK	Quick-Fire II Clutch Bar
1697	10BRB	Spool Tension Spring	2517	1072B	Drag Washer CG	5715	10G6D	Washer
1788	10FNL	Handle Nut	2518	10D2S	Drag Washer BG	6007	10F23	Retractor Spring Collar
1853	10D47	Key Washer A	2520	10D2M	Drive Shaft Washer B			

Please note that the number of adjusting washers may not be the same as shown in the exploded views.  
(Adjustment will vary with each individual product.)

(230904)\_005