

BOSS[®]
AUDIO SYSTEMS



BOSS[®]
AUDIO SYSTEMS



MC440B USER'S MANUAL
BLUETOOTH[®] | ALL-TERRAIN
3" (76 mm) CHROME SPEAKERS (1 PAIR)
AND AMPLIFIER SYSTEM



BOSS Audio Systems
3451 Lunar Court • Oxnard, CA 93030
www.bossaudio.com
805-751-4853 Customer Service
Tech Support: www.bossaudio.com/support



0121

The Bluetooth[®] word mark and logos are registered trademarks owned by Bluetooth SIG, Inc. and any use of such marks by BOSS Audio Systems is under license. Other trademarks and trade names are those of their respective owners.

MC440B Motorcycle/UTV Amplified Speaker System

NOTES

MC440B Motorcycle/UTV Amplified Speaker System

Congratulations on your purchase of a BOSS Audio Systems amplified speaker system. It has been designed, engineered and manufactured to bring you the highest level of performance and quality, for years of listening pleasure.

Thank you for making BOSS AUDIO SYSTEMS your choice for entertainment!



MC440B Motorcycle/UTV Amplified Speaker System

Contents

Amplifier	1 PC
High-Performance, Weatherproof Speakers	2 PCS
Amplifier Mounting Screws	4 PCS
Speaker Clamp Mounting Hardware	1 PAIR
Rubber Mounting Shims	4 PCS
Fuse	1 PC
User's manual	1 PC

Features

Aux-In (3.5mm)
Speaker Clamp Mounts
Weatherproof Volume Control
High-Impact, High Temperature Speaker Enclosures
Weatherproof Speakers
Bluetooth Audio Streaming

MC440B Motorcycle/UTV Amplified Speaker System

Specifications

Operation Voltage.....	10~16 V
THD.....	<0.1%
S/N.....	>85 dB
Channel Separation	>50 dB
Frequency Response	50Hz - 15KHz
Sensitivity.....	>130mv
Speaker Wires.....	4.6'
Volume Control Wire.....	6.2'
Audio Input Cable	1.9'
Power Cable	6.2'
Clamp Size Range	0.75" ~1.25"
Fuse Rating	7.5A
Amplifier dimensions	3.6"x2.3"x1.5"

MC440B Motorcycle/UTV Amplified Speaker System

Installation

1. Screw the **clamps** to the bottom of the speakers.
2. Find a safe, ideal mounting location and fit the **clamps** over the chosen mounting bars.
3. Fasten the mounting screws after you review the safety of the mounting location.

Wiring

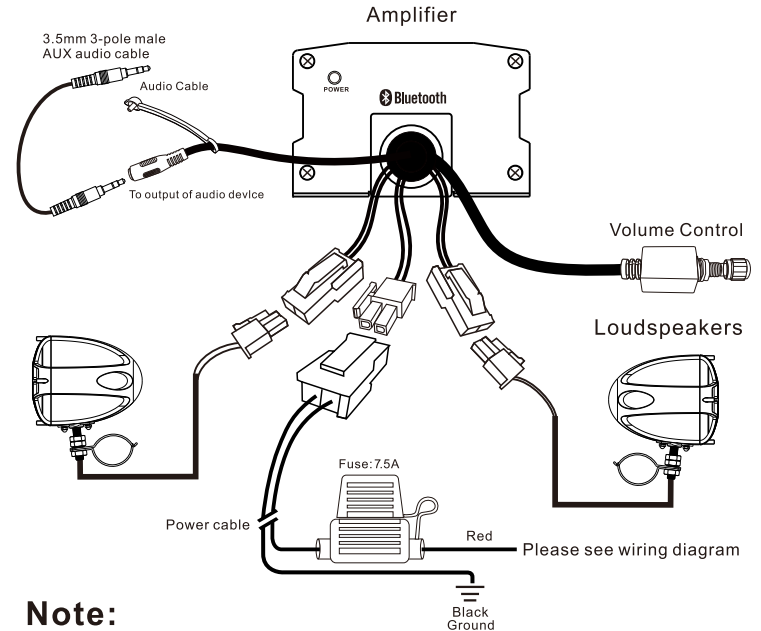
1. Be sure to run the wiring securely and far away from any moving components.
2. Connecting the power cable to the power source: You will need to connect the 12V red wire to a (fused 7.5A) switched power source.
3. Use the 3.5mm stereo jack to connect to your entertainment source(MP3 player, etc).
4. Use your player device and wired remote volume controller to control your level of loudness.

Bluetooth

To pair and connect your Bluetooth device to the MC440B Enter Settings > Bluetooth Menu > Search > “Boss Audio MC440B” >If Prompted to enter a passcode enter : “0000”.

MC440B Motorcycle/UTV Amplified Speaker System

Connections



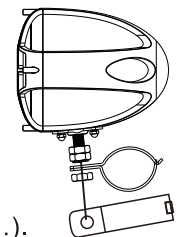
Note:

1. AUX 3.5 female input connector for output of other audio device like mobile phone, MP3, Ipad and so on.
2. Should use standard 3.5mm 3-pole male plug AUX cable (not included).
3. Stop BT connection first when using the 3.5mm AUX input as an audio source input.

Amplifier and Loudspeaker Mounting Installation Reminder

The components and wiring should not be installed around any moving parts, keep away from ignition parts, fuel lines, or any hot exhaust.

Speakers should not be installed where they might inhibit safety features on the vehicle (i.e. lights, horns, brake levers, etc...).





Power Supply Connection

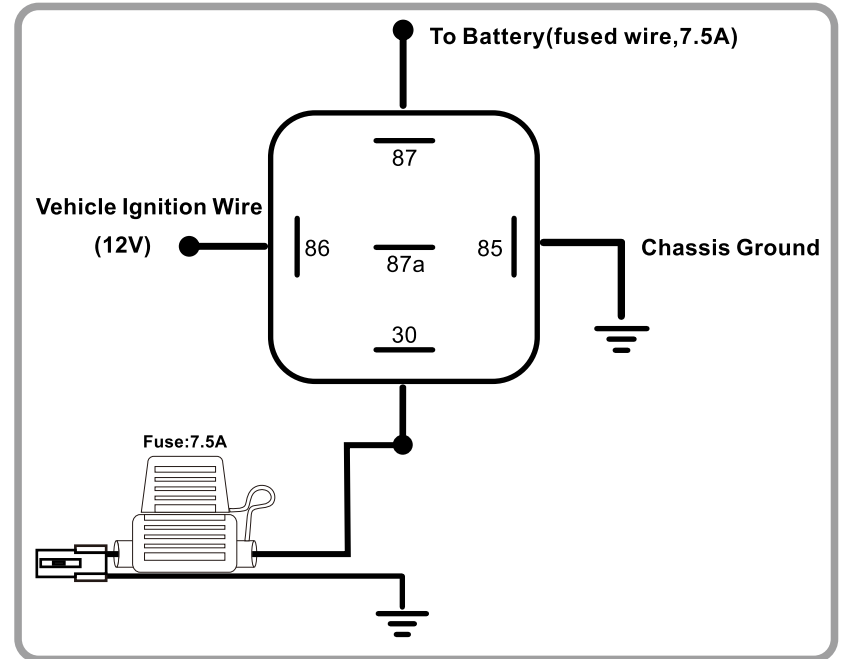
Option A

Connected to Battery through a
12 VDC SPDT Relay
(Single Pole Double Throw)
NOT INCLUDED, SOLD SEPARATELY

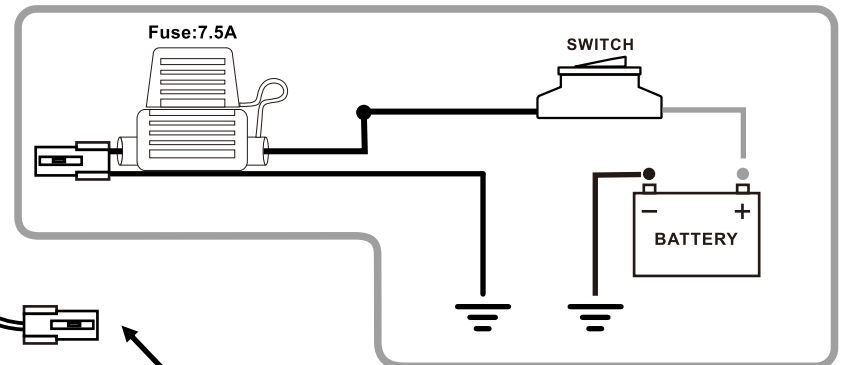
Option B

Connected to Battery through a
Waterproof Switch (250V AC/6A)
NOT INCLUDED, SOLD SEPARATELY

Option A (Relay)



Option B (Switch)



Power Supply Cable

Speakers Plugs