

# ASSEMBLY INSTRUCTIONS

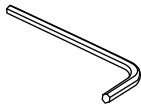
## LOCKHARDT MARBLE/METAL C-TABLE

x12



ALLEN  
SCREWS

x1



ALLEN  
KEY

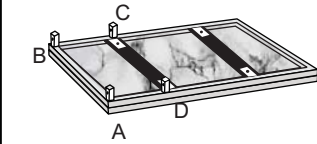
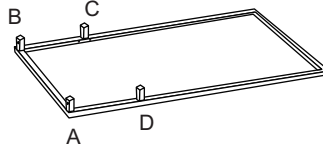
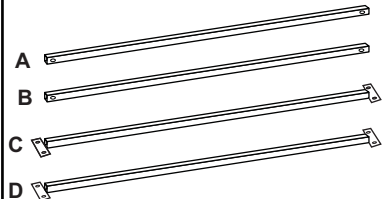


TABLE TOP WITH PRE -ATTACHED  
MARBLE

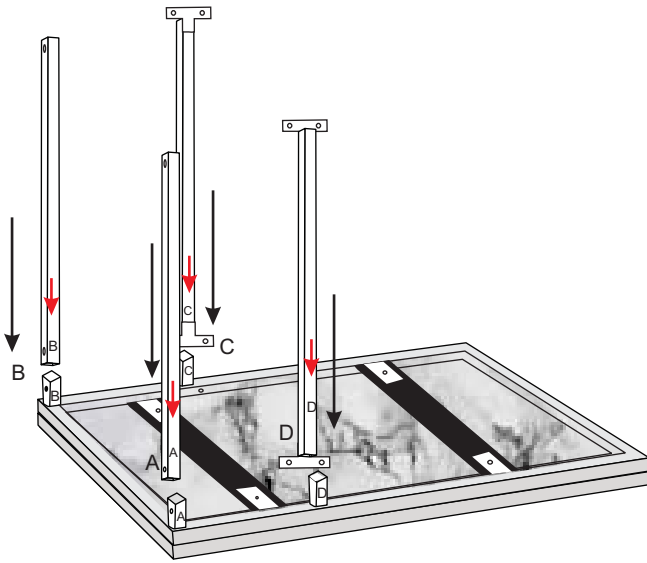


KD METAL BASE OF TABLE

x4

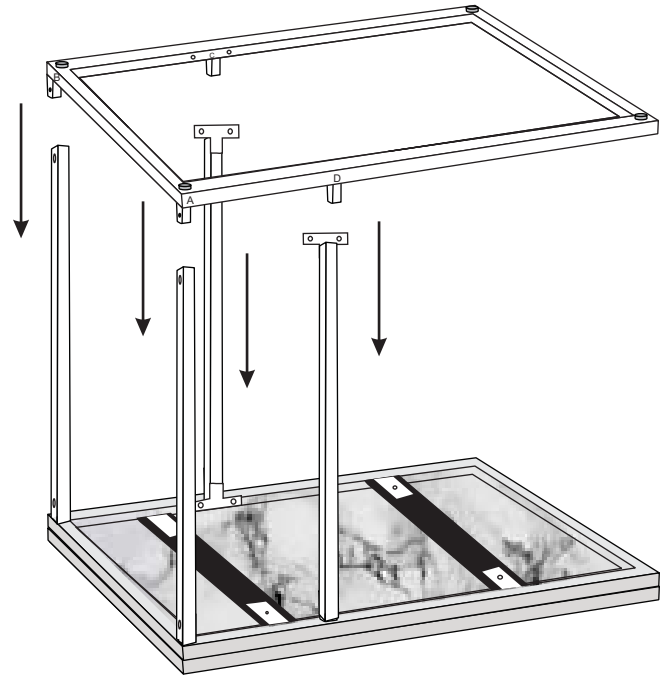


KD METAL BARS



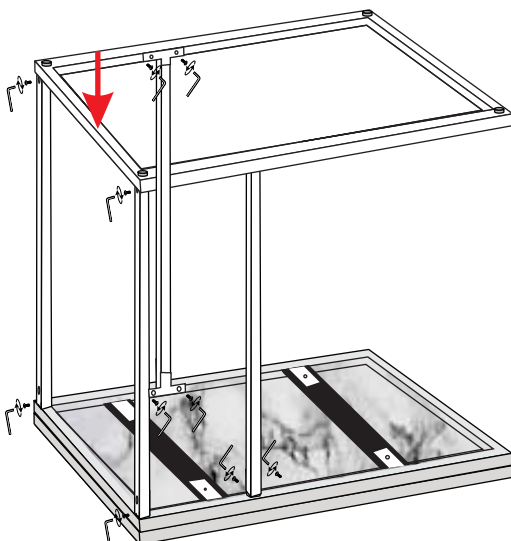
Place top face down on a protective surface and Insert metal KD bars considering marking and arrows as shown.

### STEP-2



Insert metal base into the metal bars considering marking as shown.

### STEP-3



Secure top and base together along with help of Allen screws as shown. Apply downward force (arrow marked) to back of frame to keep parts/assembly square when tightening screws.

Flip the table and use leveling feet, located on bottom of table, to adjust by either turning in/out (arrow) .



READY TO USE