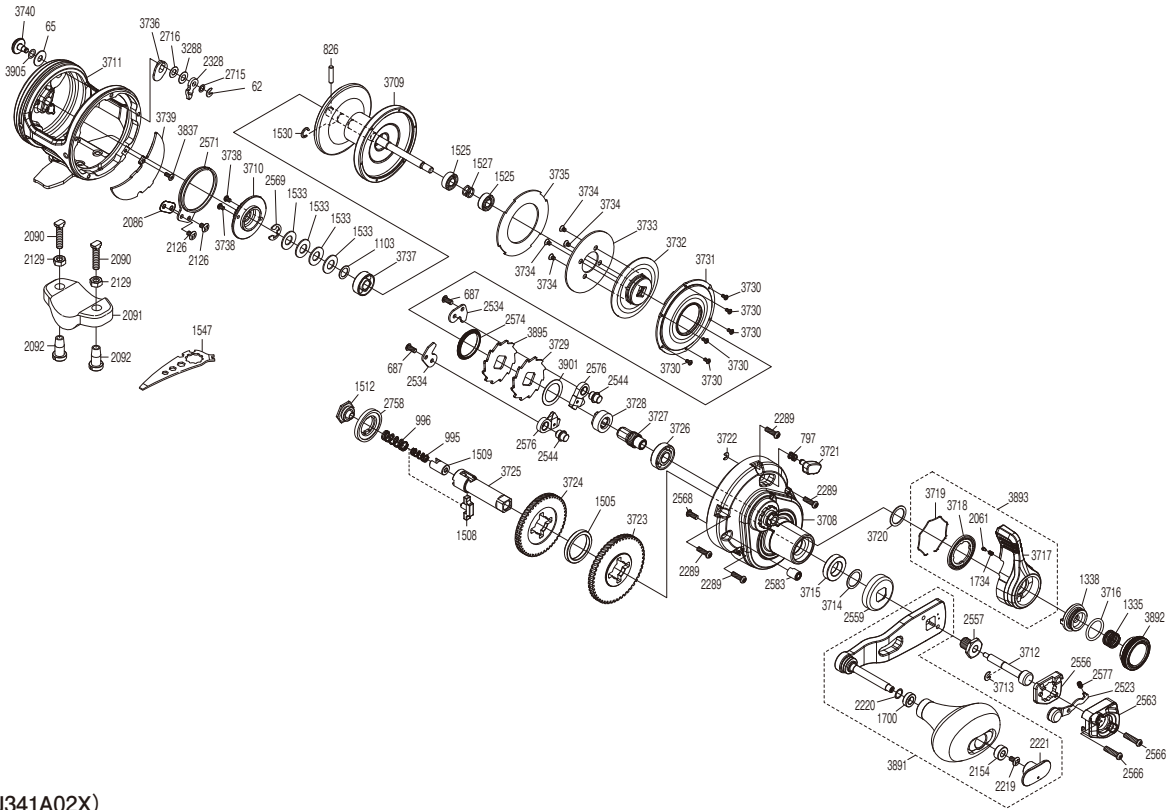


SHIMANO

SpeedMaster

SPM8II



(51RJ341A02X)

#	Part No.	Description	#	Part No.	Description	#	Part No.	Description
62	105NK	E Lock	2556	10DTX	Handle Nut Plate	3724	13APW	Drive Gear B
65	104H2	Washer	2557	1013U	Handle Bolt	3725	13APX	Drive Shaft
687	103GP	Screw	2559	10DU9	Drive Shaft Shield	3726	10K62	Ball Bearing
797	10BNL	Pressure Spring	2563	10E1Z	Push Button Shield	3727	13APY	Pinion Gear A
826	104LB	Cross Pin	2566	10L9V	Screw	3728	13APZ	Pinion Gear B
995	109VM	Drive Shaft Spring B	2568	10LFK	Screw	3729	13AQ0	Anti Reverse Ratchet
996	10KXQ	Drive Shaft Spring	2569	10KHH	E Lock	3730	10E7R	Screw
1103	10G4T	Washer	2571	10GUY	Click Spring	3731	13AQ1	Cooling Shield
1335	10M65	Dial Spring	2574	10DQZ	Waterproof Ring	3732	13AQ2	Pinion Guard
1338	10M69	Lever Shaft Body	2576	10PKG	Anti Reverse Pawl	3733	13AQ3	Drag Plate
1505	10D64	Drive Gear Washer C	2577	10DR0	Slide Plate Spring	3734	10QVK	Screw
1508	10KXJ	Gear Select Cross Bar	2583	10E1W	Bolt Shield	3735	13AQ4	Drag Washer
1509	10KXN	Cross Bar Stop	2715	105AD	Washer	3736	13AQ5	Click Switch Cam
1512	10FFA	Drive Shaft Screw	2716	10RVM	Washer	3737	13AQ6	Ball Bearing
1525	105CA	Ball Bearing	2758	10D5C	Drive Gear Washer A	3738	10L67	Screw
1527	1060F	Pressure Release Spring	3288	10HER	Washer	3739	13AQ7	Set Plate Sticker
1530	10KHL	C Lock	3708	13APF	Right Side Plate Assembly	3740	13AQ8	Click Button
1533	10528	Coned Disc Spring	3709	13APG	Spool Assembly	3837	100S4	Screw
1700	104UJ	Bushing	3710	13APH	Click Gear Assembly	3891	13YJC	Handle Assembly
1734	10BT2	Click Spring	3711	13APJ	Frame Assembly	3892	13YJD	Pre-Program Dial Assembly
2061	10MFC	Lever Click	3712	13APK	Push Low Button Shaft	3893	13YJE	Drag Control Lever Assembly
2086	104ZA	Click Spring Washer	3713	13APL	E Lock	3895	13Z0H	Anti Reverse Ratchet
2126	10LHW	Screw	3714	13APM	Washer	3901	145AU	Washer
2154	10EU0	Bushing	3715	13APN	Drive Gear Bush	3905	1472T	Washer
2219	10LFA	Screw	3716	107CU	O Ring			
2220	10HEP	Washer	3717	13APP	Drag Control Lever	2090	10A9S	Rod Clamp Bolt (Accessory)
2221	101B8	Handle Knob Seal	3718	13APQ	Click Plate	2091	10AS5	Rod Clamp (Accessory)
2289	10L6A	Screw	3719	13APR	Click Plate Retainer	2092	10JCF	Rod Clamp Nut A (Accessory)
2328	10T84	Click Pawl	3720	13APS	Lever Thrust Washer	2129	10HG9	Rod Clamp Nut B (Accessory)
2523	10TKR	Slide Plate	3721	13APT	Strike Stop			
2534	10DU8	Anti Reverse Pawl Keeper	3722	13APU	E Lock			
2544	1013X	Anti Reverse Pawl Pin	3723	13APV	Drive Gear A	1547	10MJ8	Wrench

Please note that the number of adjusting washers may not be the same as shown in the exploded views.
(Adjustment will vary with each individual product.)

(240403)_007