

SCHOOLHOUSE

Allegheny Sconce

Application: Wall Sconce

Product Origin: Processed and assembled in Portland, Oregon using ethically-sourced domestic and global components.

UL Listed: Yes

Max Wattage: 60 W

Voltage: 120/220 Volts

Location Rating: Wet

Dimensions:

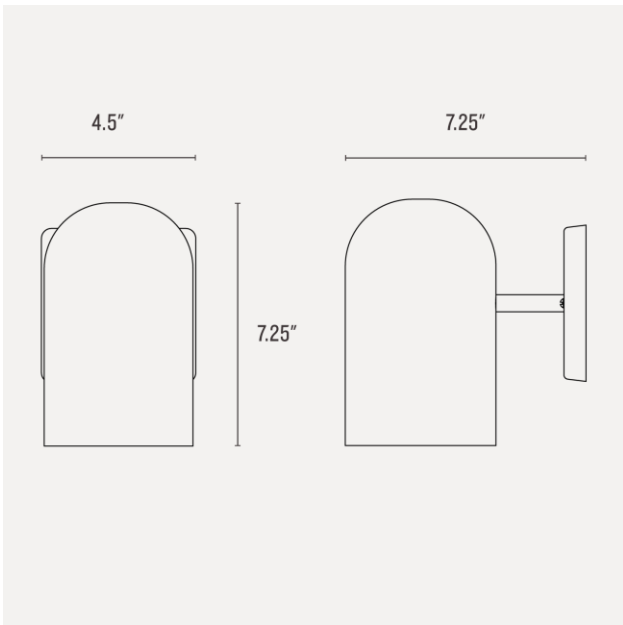
Overall: 7.25"H x 4.625"W x 7.125" D

Shade: 7.25"H x 4.325"W x 4.325" D

Canopy: 4.625"H x 4.625"W x 0.75" D

Details: Must be mounted with shade opening oriented downward as shown.

One year guarantee



SCHOOLHOUSE

Shade Option(s)



Bellini-Gloss
(BN-G)



Pool-Gloss
(PL-G)



Alder-Gloss
(AGR-G)



Black-Gloss
(BK-G)



Laurel-Gloss
(LR-G)



Dune-Gloss
(DU-G)



White
(WT)



Shell White-Gloss
(SWT-G)



Pebble-Gloss
(PEB-G)



Ecru-Gloss
(EC-G)



Black
(BK)



Lichen-Gloss
(LN-G)



Butterscotch
(BU)



Chamomile-Gloss
(CE-G)



Paprika, Gloss
(PPA-G)

Finish Option(s)



Natural Brass
(NB)

SCHOOLHOUSE

Allegheny LED Sconce



Application: Wall Sconce

Product Origin: Processed and assembled in Portland, Oregon using ethically-sourced domestic and global components.

UL Listed: Yes

Wattage: 13 W

Voltage: 120/220 Volts

Location Rating: Wet

Dimensions:

Overall: 7.25"H x 4.625"W x 7.125" D

Shade: 7.25"H x 4.325"W x 4.325" D

Canopy: 4.625"H x 4.625"W x 0.75" D

Details:

- No bulb required - Includes a self-contained LED module.
- Must be mounted with shade opening oriented downward as shown.

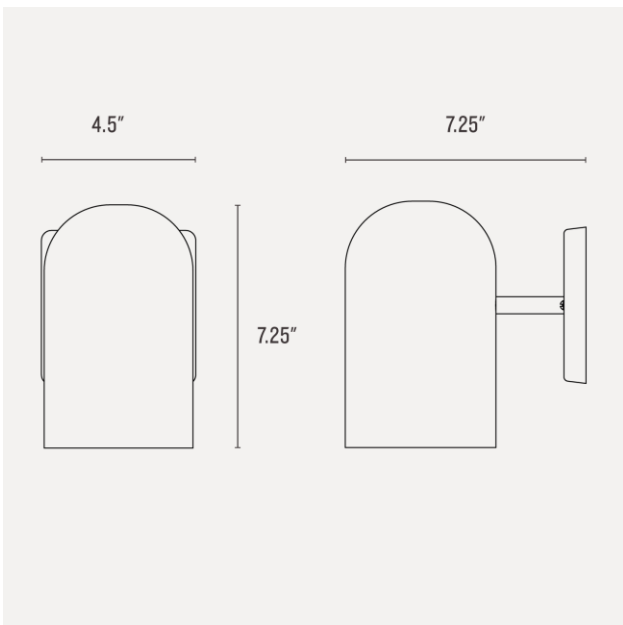
Brightness: 910 Lumens

Hour Life: 50,000 hrs

Color Temperature: 3000K

Color Rendering Index: 80 CRI

One year guarantee



SCHOOLHOUSE

Color Option(s)



Black-Gloss
(BK-G)



Chamomile-Gloss
(CE-G)



Pebble-Gloss
(PEB-G)



Shell White-Gloss
(SWT-G)



Pool-Gloss
(PL-G)



White
(WT)



Dune-Gloss
(DU-G)



Black
(BK)



Laurel-Gloss
(LR-G)



Ecru-Gloss
(EC-G)



Alder-Gloss
(AGR-G)



Lichen-Gloss
(LN-G)



Butterscotch
(BU)



Bellini-Gloss
(BN-G)



Paprika, Gloss
(PPA-G)

Finish Option(s)



Natural Brass
(NB)