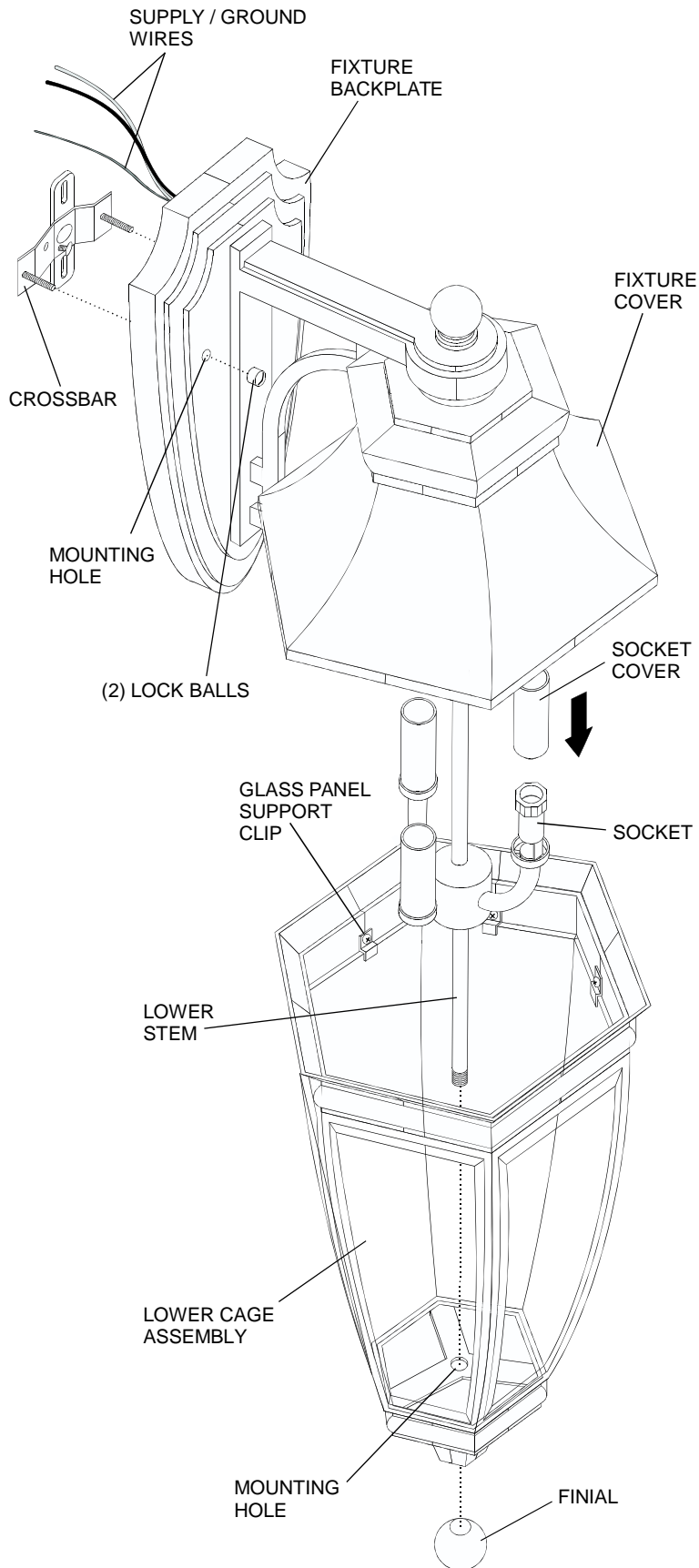


ASSEMBLY / INSTALLATION INSTRUCTIONS:



GENERIC ILLUSTRATION

1. Before beginning fixture assembly / installation carefully unpack and identify all parts referring to illustration.
2. Turn power to the installation point **OFF**.
3. Locate the CROSSBAR and attach to WALL MOUNTED OUTLET BOX with (2) OUTLET BOX SCREWS (not supplied).
4. **Make the connections:** (Quoizel recommends 2 people for this step). With the help of another person, position the fixture in front of the wall mounted outlet box. Connect the fixture GROUND WIRE to the HOUSE GROUND WIRE. Proceed to attach both to the CROSSBAR with GREEN GROUND SCREW. Using wire connectors (not supplied), connect the HOUSE WHITE WIRE to the fixture WHITE SUPPLY WIRE; connect the HOUSE BLACK (or RED) WIRE to the fixture BLACK SUPPLY WIRE. Wrap all connections with approved electrical tape. Carefully tuck all wires into outlet box.
5. Position the FIXTURE BACKPLATE over the outlet box so that the (2) MOUNTING HOLES in backplate are aligned with (2) MOUNTING STUDS on CROSSBAR. Pass BACKPLATE over MOUNTING STUDS. Be sure there are no trapped or pinched wires. Locate the (2) LOCK BALLS and thread onto ends of MOUNTING STUDS. Tighten until secure.
6. Refer to enclosed IS-727 for weather proofing instructions.
7. Locate the SOCKET COVERS (amount depends on style purchased) and place over SOCKETS. Install bulbs referring to fixture markings and/or labels for maximum wattage.
8. Locate the LOWER CAGE ASSEMBLY and pass the LOWER STEM through the MOUNTING HOLE at bottom of assembly. Position the top of the assembly into the underside of FIXTURE COVER. Secure assembly to fixture by threading FINIAL onto the end of LOWER STEM. Hand tighten until snug.
10. Restore power to installation point.

GLASS PANEL REPLACEMENT INSTRUCTIONS:

1. Turn power to fixture OFF.
2. Remove FINIAL from bottom of fixture and carefully remove LOWER CAGE ASSEMBLY.
3. Place the assembly on level work surface and remove broken glass wearing safety glasses and glass.
4. Loosen and remove GLASS PANEL SUPPORT CLIP and install new REPLACEMENT GLASS PANEL. Re-install support clip to secure panel.
5. Re-install LOWER CAGE ASSEMBLY.
6. Restore power.

IF IN DOUBT ABOUT ELECTRICAL INSTALLATION, CONSULT A LICENSED ELECTRICIAN!