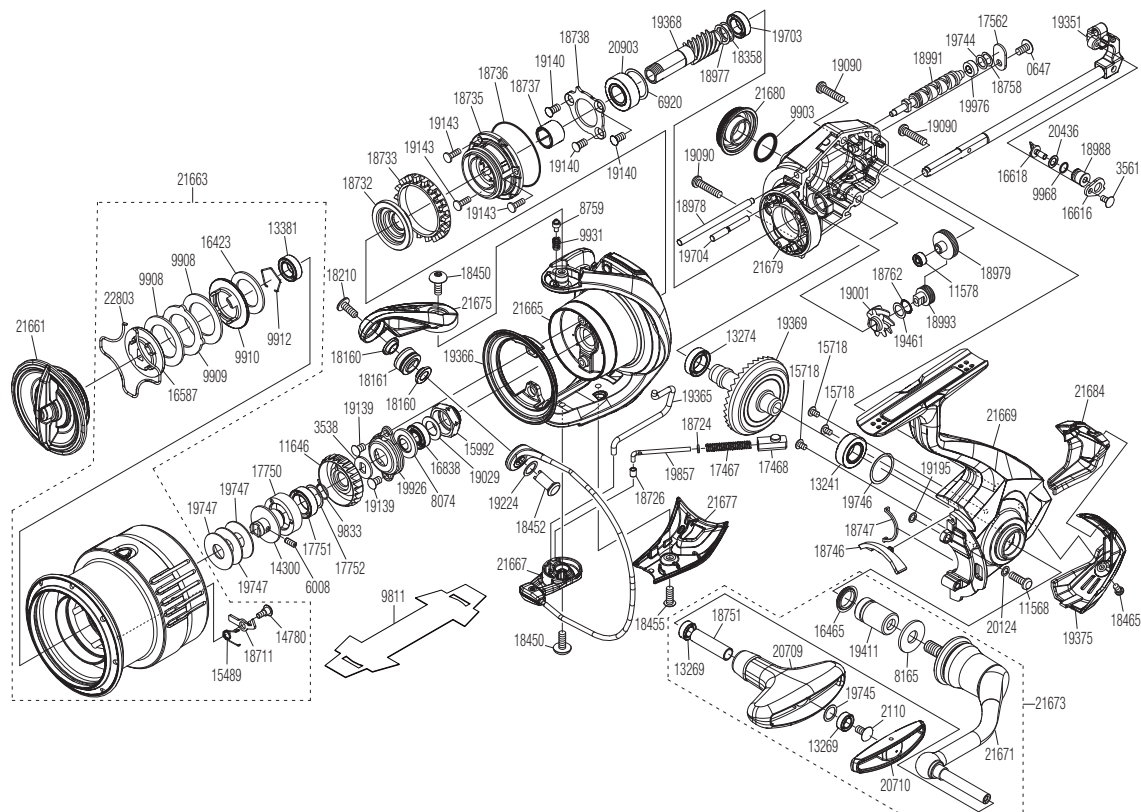


SHIMANO

EXSENCE SA-RB

EXS-4000MXG



Please note that the number of adjusting washers may not be the same as shown in the exploded views. (Adjustment will vary with each individual product.)

RD 18735 Roller Clutch Assembly please send the equipment out to after-sales service for replacement of the roller clutch assembly.

(51SF50H042X)

#	Part No.	Description	#	Part No.	Description	#	Part No.	Description
0647	10QG5	Screw	18161	101KE	Line Roller Set	19461	10DHM	Washer
2110	103E9	Screw	18210	10TLJ	Screw	19703	104JQ	Ball Bearing
3538	103NX	Spool Support	18358	10GD8	Spacer	19704	10TC8	Idle Gear Shaft
3561	10MT4	Screw	18450	10SN9	Screw	19744	100XZ	Washer
6008	10PN2	Set Screw	18452	10EAP	Line Roller Support	19745	104FH	Washer
6920	107JT	Washer	18455	10DT7	Screw	19746	101AY	Washer
8074	107F2	Bearing Water Proof	18465	10EF0	Screw	19747	101AV	Spool Washer
8165	10FJ6	Washer	18711	10TJX	Drag Click	19857	10SAN	Bail Spring Guide A
8759	106UX	Click Pin	18724	101D9	Spring Guide A Support Collar	19926	1076N	Nut Lock Plate
8738	107V2	Ratchet Spring	18726	10DKC	Bail Spring Guide A Bush	19976	1009C	Bushing
9903	108WA	O Ring	18732	101D5	Rotor Ring	20124	10J48	Washer
9908	102ZP	Drag Washer A	18733	10DK7	Friction Ring	20436	100CW	Washer
9909	10BCP	Eared Washer	18735	10S2L	Roller Clutch Assembly	20709	10RHC	Handle Knob
9910	10B9D	Key Washer A	18736	10DKD	Roller Clutch Case Seal	20710	10S3U	Handle Knob Seal
9912	10GEW	Bearing Retainer	18737	10DJY	Roller Clutch Inner	20903	101WE	Ball Bearing
9931	10CGZ	Click Spring	18738	10DJZ	Bearing Retainer	21661	10DV4	Drag Knob Assembly
9968	108W9	O Ring	18746	10DKJ	Bail Trip Strike	21663	1025G	Spool Assembly
11568	10M2C	Screw	18747	10DKA	Flange Water Proof	21665	10SJW	Rotor Assembly
11578	10PC0	Ball Bearing	18751	1022F	Handle Knob Shaft Pipe	21667	10SJT	Bail Assembly
11646	107PS	Drag Click Ratchet	18758	10TK0	Washer	21669	10SJX	Side Cover Assembly
13241	104JD	Ball Bearing	18762	10TJT	Washer	21671	10SJU	Handle Shank Assembly
13269	104VX	Ball Bearing	18977	10053	Washer	21673	10SJY	Handle Assembly
13274	104PP	Ball Bearing	18978	1006F	Oscillating Guide A	21675	10T2C	Bail Arm
13381	104JT	Ball Bearing	18979	10074	Idle Gear	21677	10S79	Bail Hold Support Guard
14300	10LTS	Spool Bearing Bushing	18988	1005H	Oscillating Slider Bushing	21679	100A6	Body
14780	10A6F	Screw	18991	1006E	Worm Shaft	21680	100AB	Handle Screw Cap
15489	10BQE	Drag Click Spring	18993	10SM7	Idle Gear (Small)	21684	10S7F	Rear Shield
15718	1055G	Screw	19001	1006V	Idle Gear (Large)	22803	145QR	Retainer
15992	1080X	Rotor Nut	19029	101M1	Washer			
16423	10C1D	Drag Washer B	19090	100YN	Screw			
16465	10PXU	Handle Shaft Seal	19139	10T1G	Screw			
16587	10QBY	Key Washer B	19140	10TGX	Screw			
16616	10HAH	Oscillating Pawl Cover	19143	101LH	Screw			
16618	106VM	Oscillating Pawl	19195	10GA7	Washer			
16838	103B3	Main Shaft Spacer Assembly	19224	1002S	Washer			
17467	10R2P	Bail Spring	19351	10RJK	Main Shaft Assembly			
17468	10R2E	Bail Spring Guide B	19365	10E0C	Bail Trip Lever			
17562	10ATC	Worm Shaft Retainer	19366	10DTJ	Rotor Brim			
17750	10TQH	Bearing Spacer	19368	10E01	Pinion Gear			
17751	10EX8	Ball Bearing	19369	10E0L	Drive Gear			
17752	10GHN	Washer	19375	10132	Rear Protector			
18160	1020L	Bearing Spacer	19411	10E08	Handle Shaft Cover B	9811	10PBS	Reel Seat Spacer (accessory)