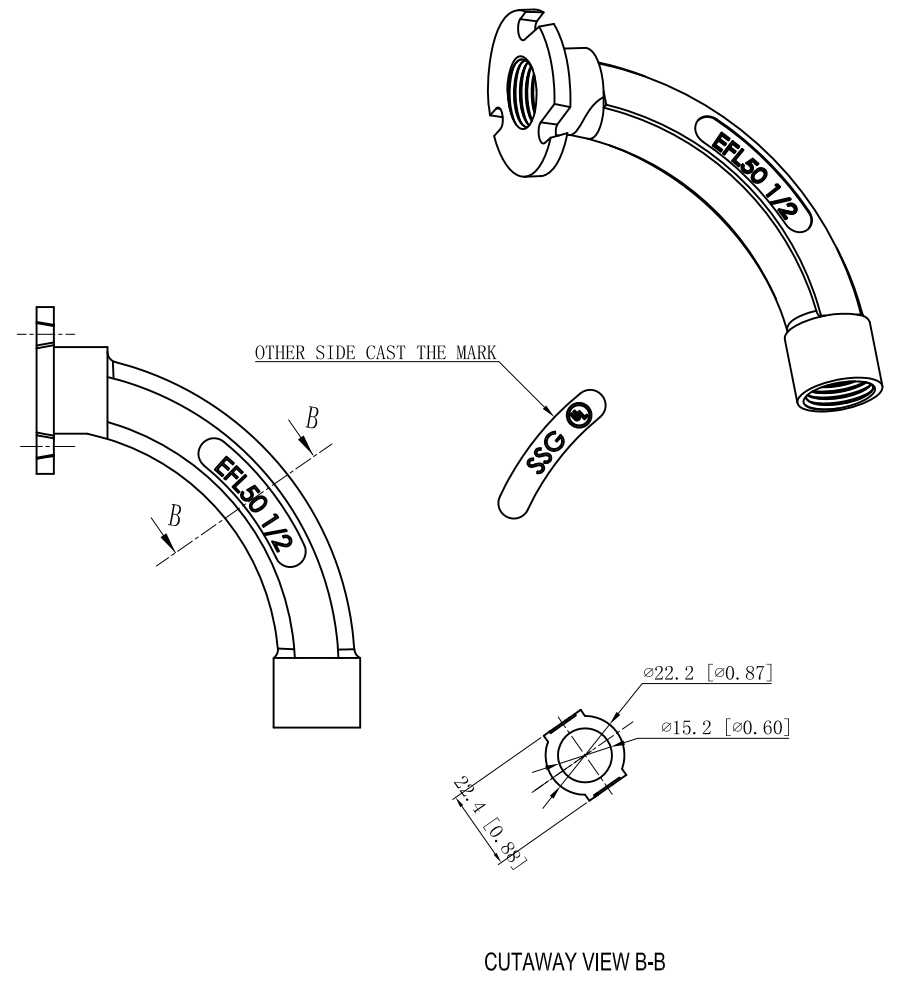
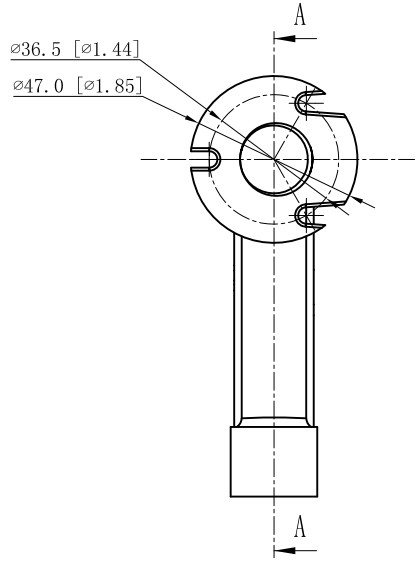
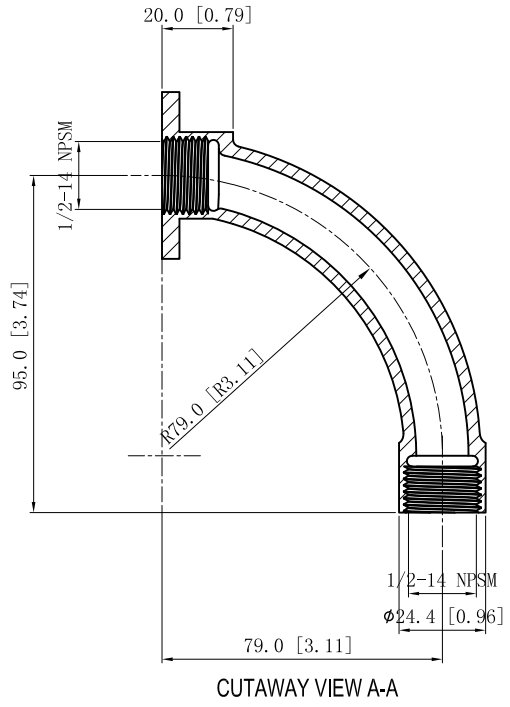


SIDES	BOTTOM
Material:Steel-malleable casting,Zinc plated	



DESCRIPTION
TRADE REFERENCE TERMS

This data sheet is for reference only .GARVIN INDUSTRIES reserves the right to make changes to the design without prior notice.

STANDARD PACKING	<h1>GARVIN INDUSTRIES</h1>		
10 PCS			
	SIZE	DWG NO.	
	A4	EFL50	A
	DATA SHEET		